



US00D653408S

(12) **United States Design Patent**
Sajid

(10) **Patent No.:** **US D653,408 S**

(45) **Date of Patent:** **** Jan. 31, 2012**

(54) **DOG COLLAR**

(76) Inventor: **Salman Sajid**, Burbank, CA (US)

(**) Term: **14 Years**

(21) Appl. No.: **29/350,119**

(22) Filed: **Nov. 11, 2009**

(51) **LOC (9) Cl.** **30-04**

(52) **U.S. Cl.** **D30/152**

(58) **Field of Classification Search** D30/151-155,
D30/144; 119/850, 855-860, 862-865, 654,
119/712, 714, 720, 725, 760, 762-776, 791-794,
119/815, 821, 724, 655, 51.02, 660, 174,
119/907; 24/16 R, 17 AP, 3.5 P, 188, 662,
24/324, 3.6, 307, 625, 616, 200, 196, 171,
24/169, 112, 614, 615, 115 F, 620, 681, 602,
24/306, 442, 274 R, 302, 300, 301, 298, 323,
24/16 PB; D11/3, 12, 200, 7, 79-87, 97,
D11/99, 107, 108, 137, 105, 103, 1, 2, 40-44,
D11/46-49, 53, 56, 57, 59-61, 63, 65, 89,
D11/90-92, 101, 106, 114-116, 201, 208-210,
D11/212-218, 220, 230-234, 236, 237, 94,
D11/6, 11; D2/609, 627, 624, 632, 635,
D2/976, 629, 631, 636, 614, 610, 639; 2/300,
2/311-319, 321, 322, 338, 339, 237, 170,
2/DIG. 11, 365, 307, 308, 910, 917; D24/195,
D24/211, 189, 190, 192; D3/207-212, 270-271.3,
D3/327; D26/38; 206/37.1, 38.1; D6/302-304;
70/456 R, 456 B, 458, 459, 18, 49, 58; D8/1,
D8/34, 38, 18, 394, 382, 396; 54/19.1; 63/1.11,
63/3.1, 3.2, 3, 9, 37, 38, 18-20, 23, 12, 13,
63/14.1, 21, 31, 15.2, 15, 1.13, 5.1, 1.1; 59/85,
59/89; 424/409; 43/131; 446/314, 376;
428/28; 606/203, 204, 201; 602/62; 128/876,
128/DIG. 15; 40/633; 473/212, 216; 604/20;
231/7; 361/232

See application file for complete search history.

(56) **References Cited**

U.S. PATENT DOCUMENTS

188,043	A	*	3/1877	Elmore	119/864
D14,566	S	*	1/1884	Charnley	D11/3
D27,689	S	*	9/1897	Sanders	D2/627
D35,767	S	*	2/1902	Krause	D2/627
D45,580	S	*	4/1914	Ziegler	D2/627
D55,056	S	*	5/1920	Knothe	D2/627
1,408,123	A	*	2/1922	Mitchell	119/863
1,657,250	A	*	1/1928	Fetters	119/858
1,880,908	A	*	10/1932	Duffy, Jr.	2/322
D90,632	S	*	9/1933	Silverman	D2/627
D130,112	S	*	10/1941	Schultheiss	D11/3
D136,736	S	*	11/1943	Mercer	D11/3
2,361,108	A	*	10/1944	Johnson	119/863
2,401,253	A	*	5/1946	Lamb, Jr.	119/654

(Continued)

Primary Examiner — Susan Moon Lee

(74) *Attorney, Agent, or Firm* — Dennis M. Carleton; Fox Rothschild, LLP

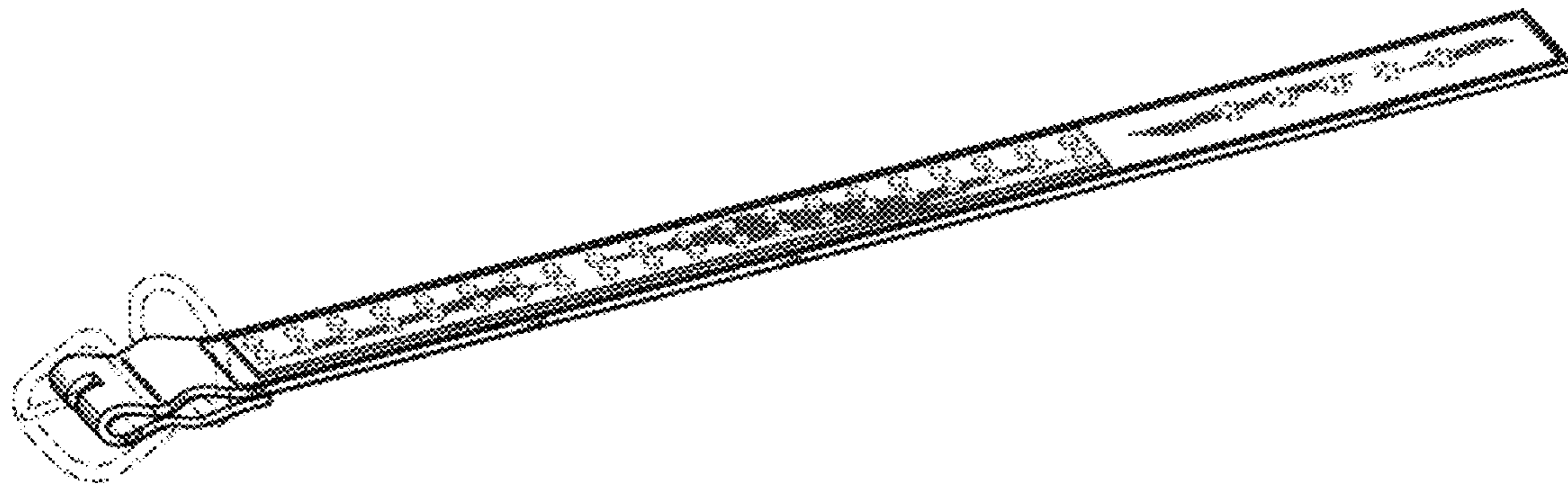
(57) **CLAIM**

The ornamental design for a dog collar, as shown and described.

DESCRIPTION

FIG. 1 is a perspective view of the top and right side of a dog collar showing my new design.
FIG. 2 is a top plan view thereof.
FIG. 3 is a bottom plan view thereof.
FIG. 4 is a right side view thereof.
FIG. 5 is a left side view thereof.
FIG. 6 is a front view thereof.
FIG. 7 is a rear view thereof; and,
FIG. 8 is a perspective view showing the dog collar in a different configuration.
The broken-line disclosures in the figures illustrate examples of elements which are not part of the claimed design.
The stitching lines shown along the inner edge parameter of both sides of the collar are part of the claimed design.

1 Claim, 4 Drawing Sheets



US D653,408 S

U.S. PATENT DOCUMENTS

2,846,796	A *	8/1958	Polzin	40/633	D382,828	S *	8/1997	Houlihan	D11/3
2,911,743	A *	11/1959	Pokras	40/633	5,653,197	A *	8/1997	Massaro et al.	119/858
3,585,743	A *	6/1971	Jeffers	40/665	D390,800	S *	2/1998	Yamamoto	D11/3
3,782,017	A *	1/1974	Graham	40/303	D391,883	S *	3/1998	Close	D11/3
3,918,407	A *	11/1975	Greenberg	119/654	D401,181	S *	11/1998	Houlihan	D11/3
3,930,506	A *	1/1976	Overend	606/203	D402,578	S *	12/1998	Morishima et al.	D11/3
4,178,879	A *	12/1979	Cunningham	119/858	5,865,148	A *	2/1999	Aguirre et al.	119/856
D254,963	S *	5/1980	Hofman	D11/3	5,867,839	A *	2/1999	Lawlor	2/240
D254,964	S *	5/1980	Hofman	D11/3	D417,039	S *	11/1999	Smith et al.	D30/152
D255,020	S *	5/1980	Hofman	D11/3	D425,264	S *	5/2000	Perlberg et al.	D30/152
D255,022	S *	5/1980	Hofman	D11/3	D425,441	S *	5/2000	Hillard et al.	D11/5
4,208,986	A *	6/1980	Costanzo	119/860	6,101,981	A *	8/2000	Friend et al.	119/860
4,218,991	A *	8/1980	Cole	119/654	D431,696	S *	10/2000	Constantino	D30/152
D257,333	S *	10/1980	Hofman	D11/3	D432,446	S *	10/2000	Santos	D11/5
D257,334	S *	10/1980	Hofman	D11/3	6,193,385	B1 *	2/2001	Maki et al.	362/108
D257,335	S *	10/1980	Hofman	D11/3	6,283,065	B1 *	9/2001	Shorrock et al.	119/863
4,321,891	A *	3/1982	Moeller	119/863	D456,957	S *	5/2002	Koch	D30/152
4,426,957	A *	1/1984	Horrigan	119/865	D467,703	S *	12/2002	Foutty	D2/627
4,509,214	A *	4/1985	Shea	2/322	D481,851	S *	11/2003	Greaige	D2/624
4,527,289	A *	7/1985	Shea	2/322	6,880,490	B2 *	4/2005	Hanna	119/863
4,811,695	A *	3/1989	Higgins	119/864	6,892,678	B2 *	5/2005	Cheng	119/859
5,031,576	A *	7/1991	Weinberg	119/865	6,899,060	B1 *	5/2005	Yen	119/863
5,050,538	A *	9/1991	Gurski, Jr.	119/865	D513,973	S *	1/2006	Cheung	D8/394
D324,422	S *	3/1992	Powell	D24/206	D523,109	S *	6/2006	Palmer, Jr.	D22/147
D324,437	S *	3/1992	Davis	D30/152	7,117,659	B1 *	10/2006	Grogoza	54/79.4
5,144,913	A *	9/1992	Yasui	119/860	D535,443	S *	1/2007	Pineda et al.	D29/100
D344,038	S *	2/1994	Phillips et al.	D11/5	D544,677	S *	6/2007	Wuolu, Jr.	D2/627
D344,629	S *	3/1994	Steffek et al.	D3/226	D551,427	S *	9/2007	Handley	D2/624
5,297,514	A *	3/1994	Stout et al.	119/863	D578,751	S *	10/2008	Holtzclaw, Jr.	D3/224
D349,257	S *	8/1994	Polenberg	D11/3	D617,521	S *	6/2010	Swinderman	D34/29
D359,158	S *	6/1995	Miramontes	D21/683	D643,159	S *	8/2011	Howitz	D30/152
D366,555	S *	1/1996	Daniels	D29/101.5	D645,213	S *	9/2011	Silverman	D30/152
5,500,959	A *	3/1996	Yewer, Jr.	602/19	2003/0094145	A1 *	5/2003	Cheng	119/859
D373,011	S *	8/1996	Rippel	D2/627	2005/0011474	A1 *	1/2005	Hanna	119/863
D373,227	S *	8/1996	Holgate	D30/134	2006/0283400	A1 *	12/2006	Liconti	119/858
D381,081	S *	7/1997	Okada	D24/190	2009/0038670	A1 *	2/2009	Shu	136/244
D381,787	S *	8/1997	Littleton	D2/627	2009/0095233	A1 *	4/2009	Trujillo	119/855

* cited by examiner

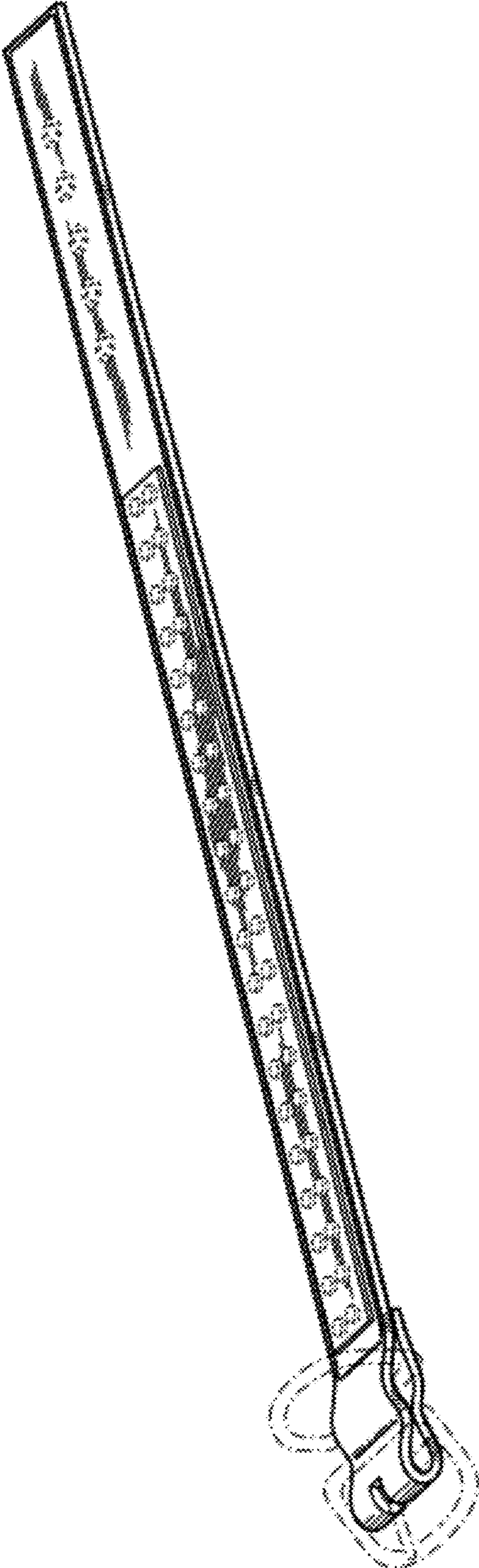


FIG. 1

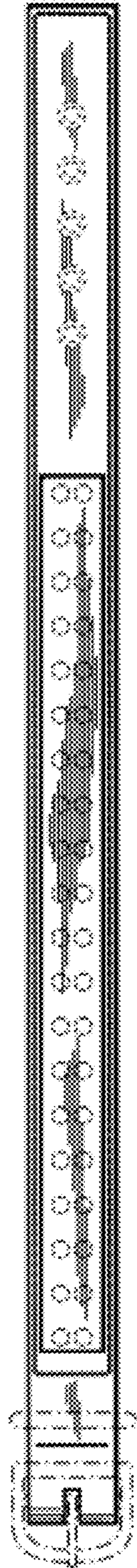


FIG. 2

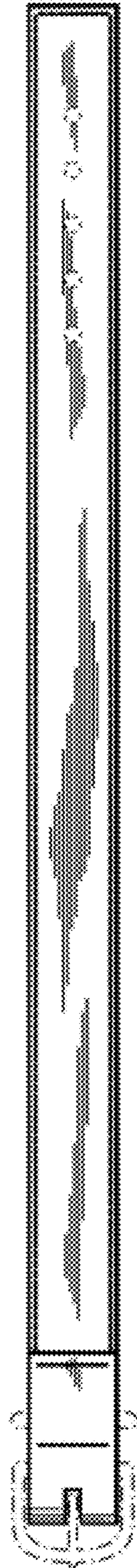


FIG. 3

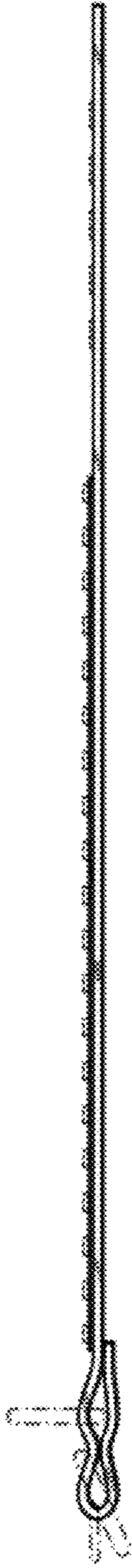


FIG. 4

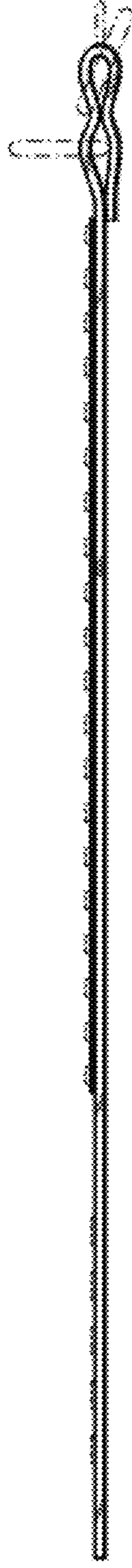


FIG. 5

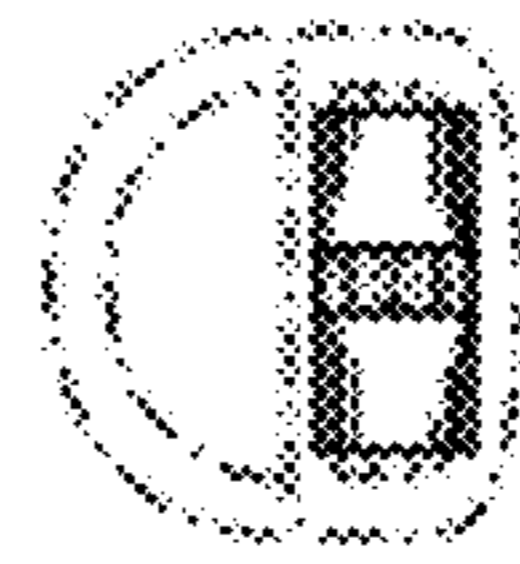


FIG. 6

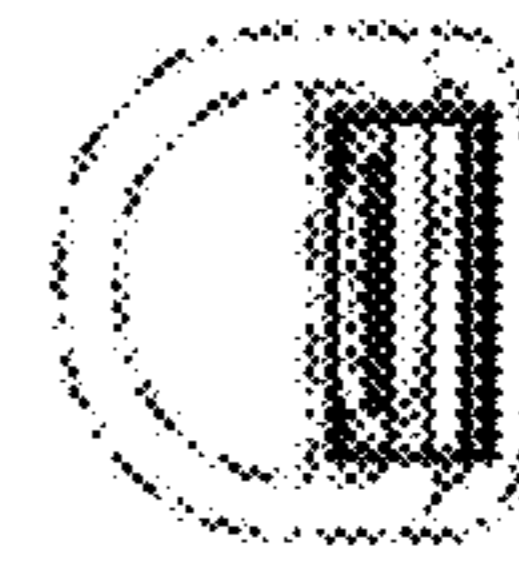


FIG. 7

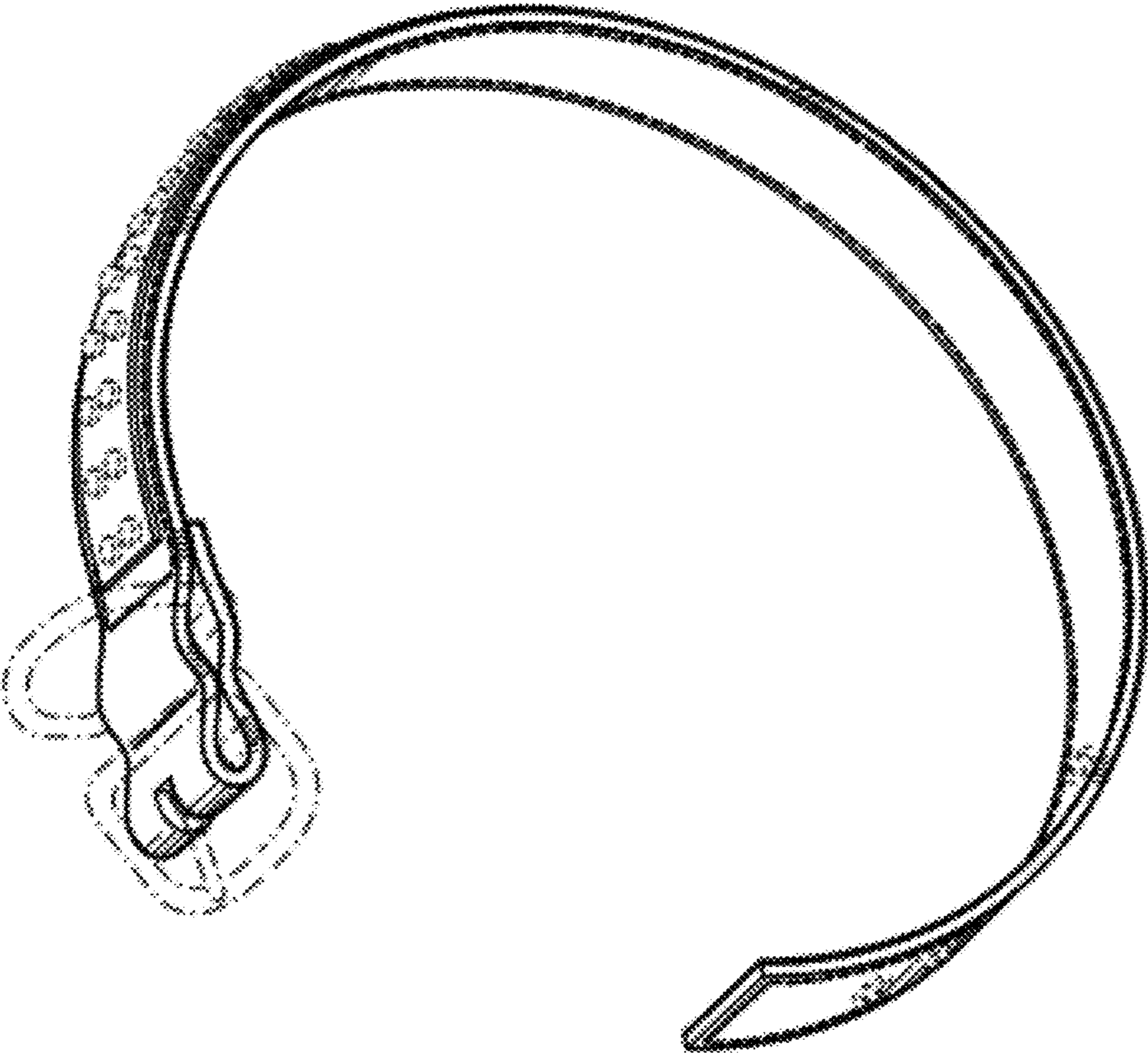


FIG. 8