



US00D653407S

(12) **United States Design Patent**
Coin

(10) **Patent No.:** **US D653,407 S**

(45) **Date of Patent:** **** Jan. 31, 2012**

(54) **CALL BRIDLE**

D383,255 S * 9/1997 Caditz D30/145
6,634,160 B1 * 10/2003 Brauckmann-Towns 54/71
7,721,514 B1 * 5/2010 Pierce et al. 54/71

(75) Inventor: **Mark Coin**, Greenville, KY (US)

* cited by examiner

(73) Assignee: **Down-N-Dirty Outdoors, Inc.**,
Lewisburg, KY (US)

Primary Examiner — Nanda Bondade

(**) Term: **14 Years**

(74) *Attorney, Agent, or Firm* — Wadley & Patterson, P.C.;
Matthew C. Cox

(21) Appl. No.: **29/372,344**

(57) **CLAIM**

What is claimed is the ornamental design for the call bridle, as shown and described.

(22) Filed: **Nov. 10, 2010**

DESCRIPTION

(51) **LOC (9) Cl.** **30-04**

(52) **U.S. Cl.** **D30/136**

(58) **Field of Classification Search** D30/134–136,
D30/138, 144–145; 54/37.1, 42.11, 44.1,
54/71; 224/609, 905; D3/231

FIG. 1 is a perspective view of the call bridle.

FIG. 2 is a plan view of the call bridle.

FIG. 3 is a frontal view of the call bridle.

FIG. 4 is an underside view of the call bridle.

FIG. 5 is a rear view of the call bridle.

FIG. 6 and FIG. 7 are side views of the call bridle; and,

FIG. 8 is a perspective view of the call bridle.

The broken lines shown in FIGS. 1-8 represents stitches; and the dash-dot lines shown in FIG. 8 are for illustrative purposes only and forms no part of the claimed design.

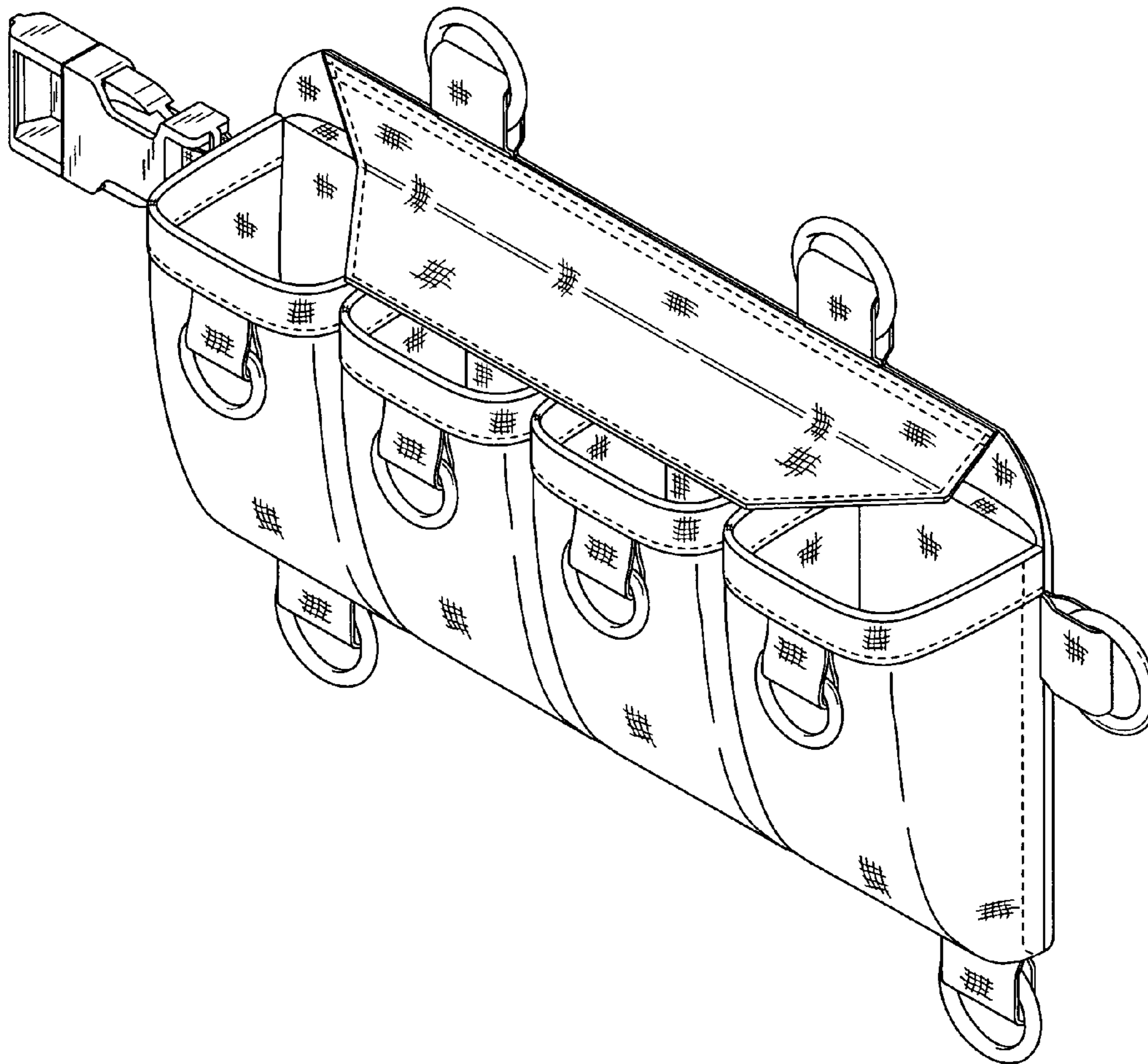
See application file for complete search history.

(56) **References Cited**

U.S. PATENT DOCUMENTS

2,468,811 A * 5/1949 Carroll 54/23
D254,343 S * 3/1980 Babcock D3/231

1 Claim, 4 Drawing Sheets



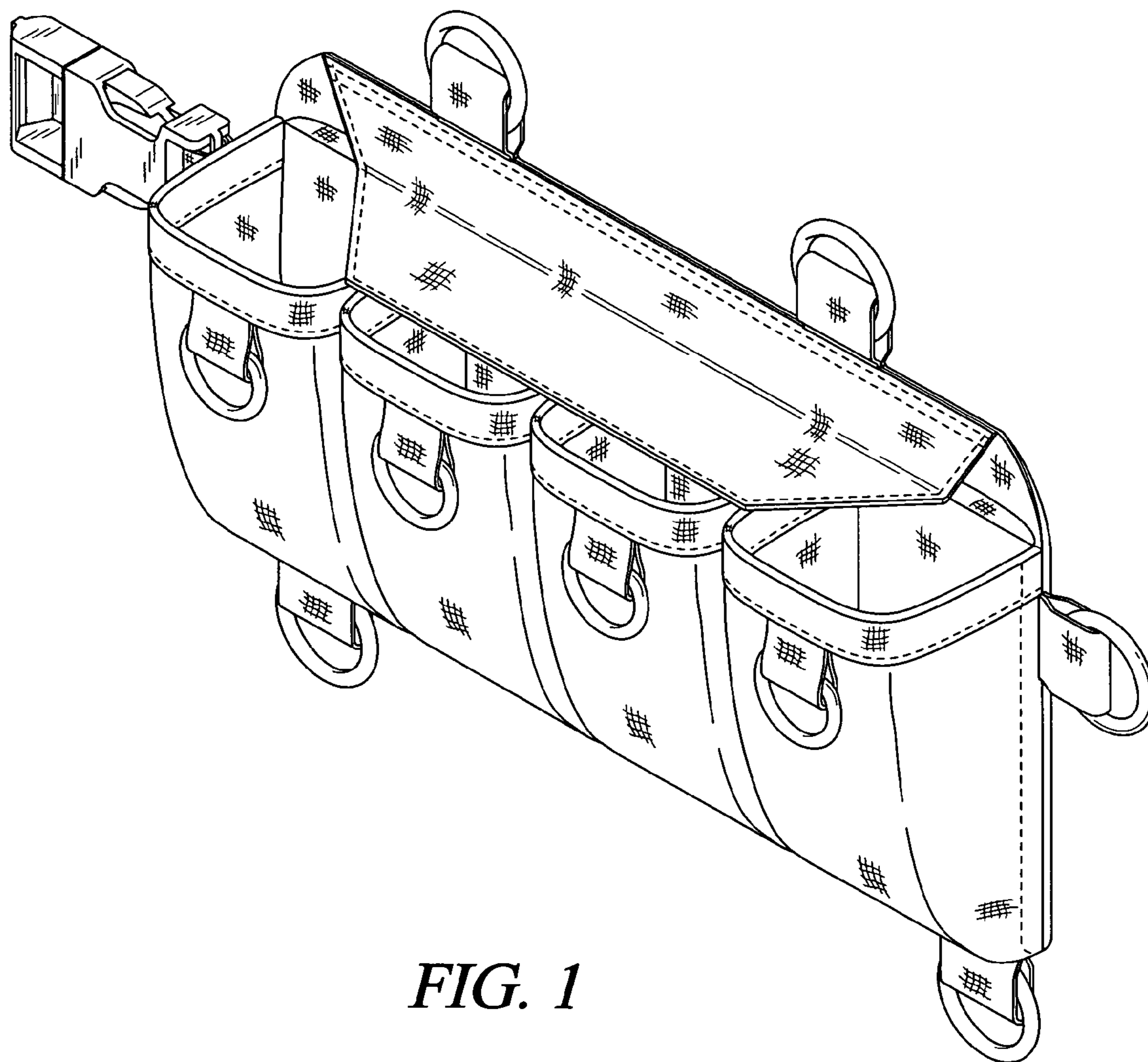


FIG. 1

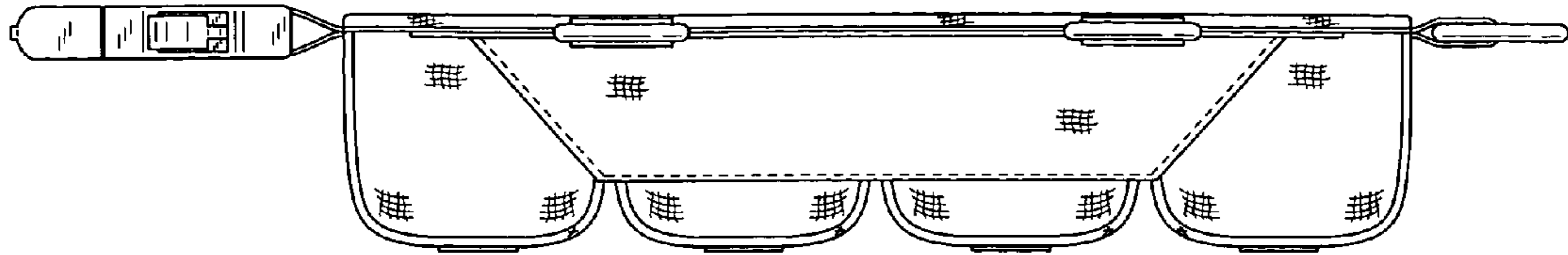


FIG. 2

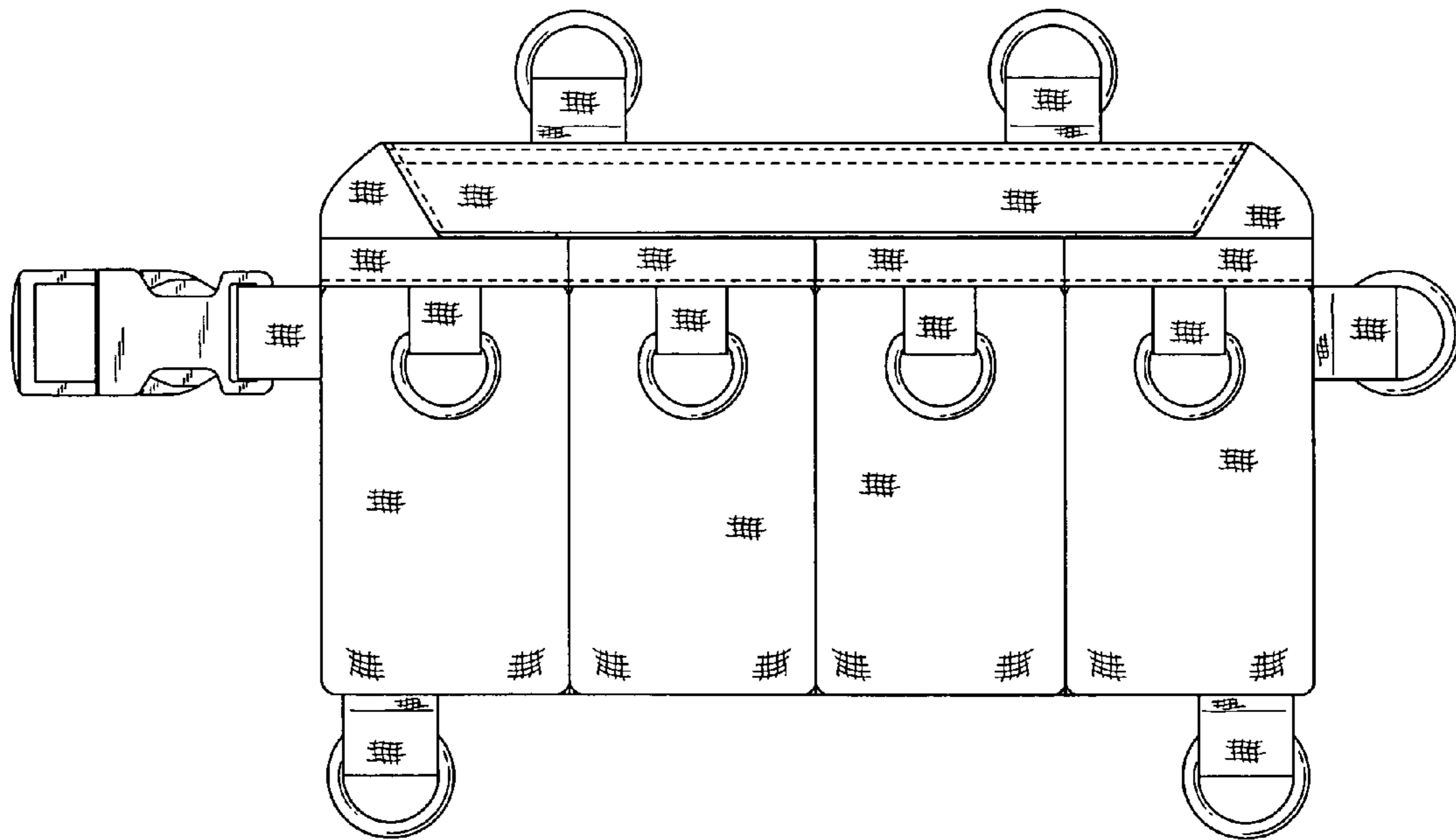


FIG. 3

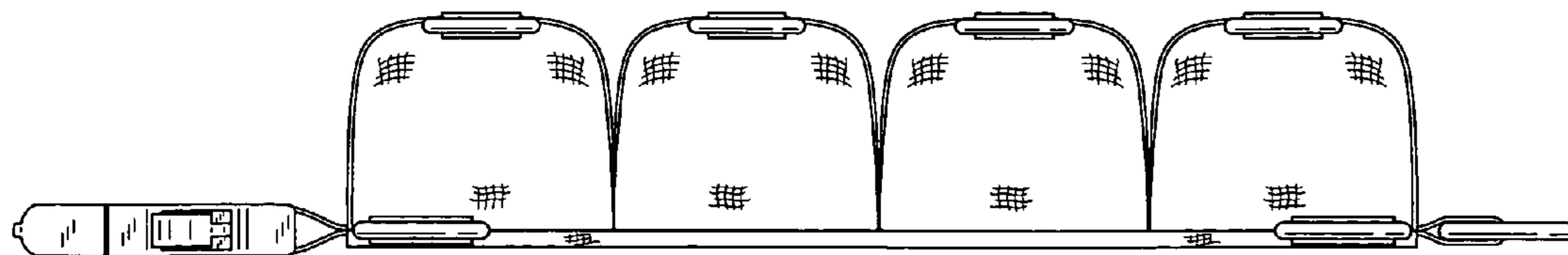


FIG. 4

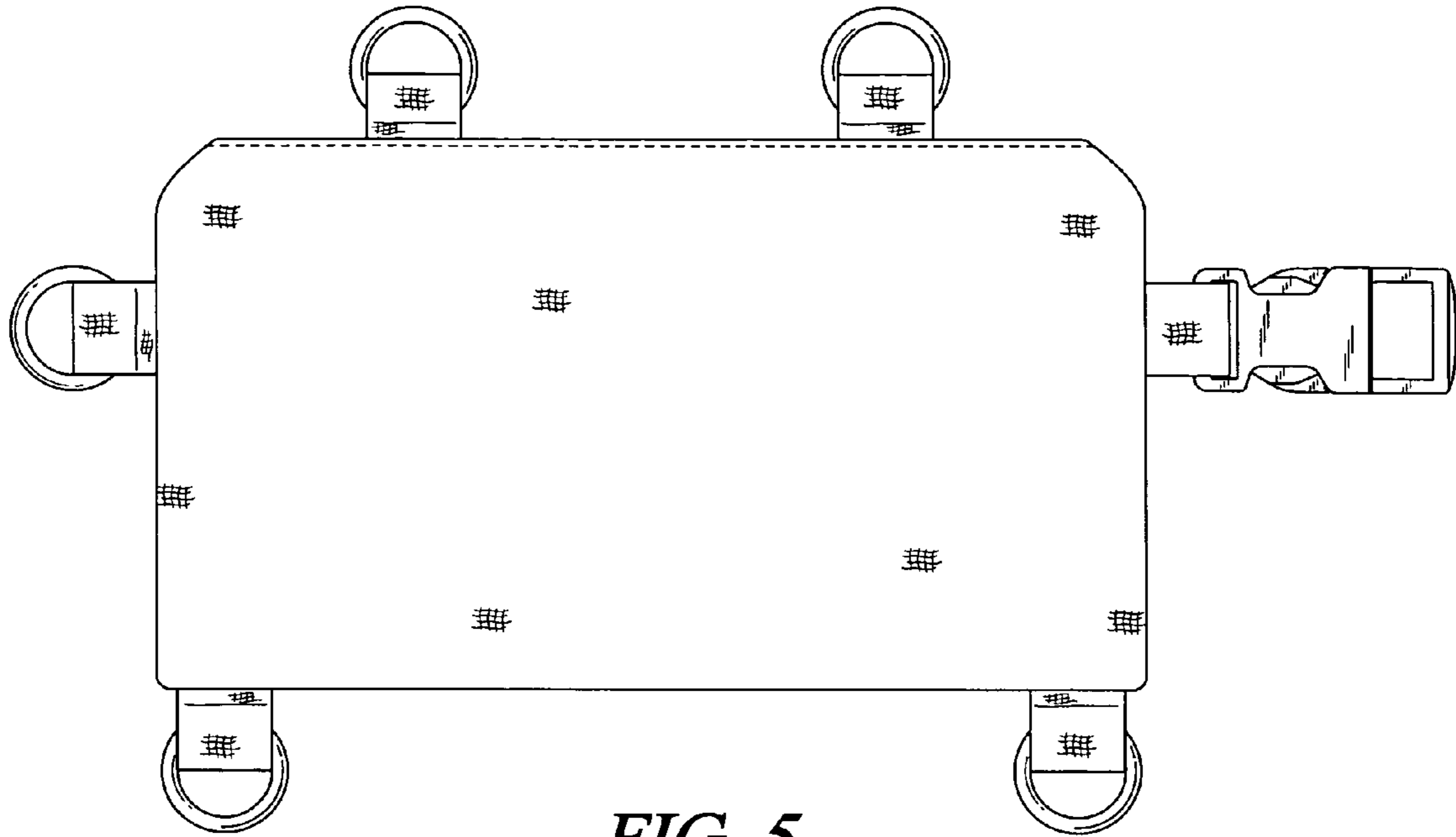


FIG. 5

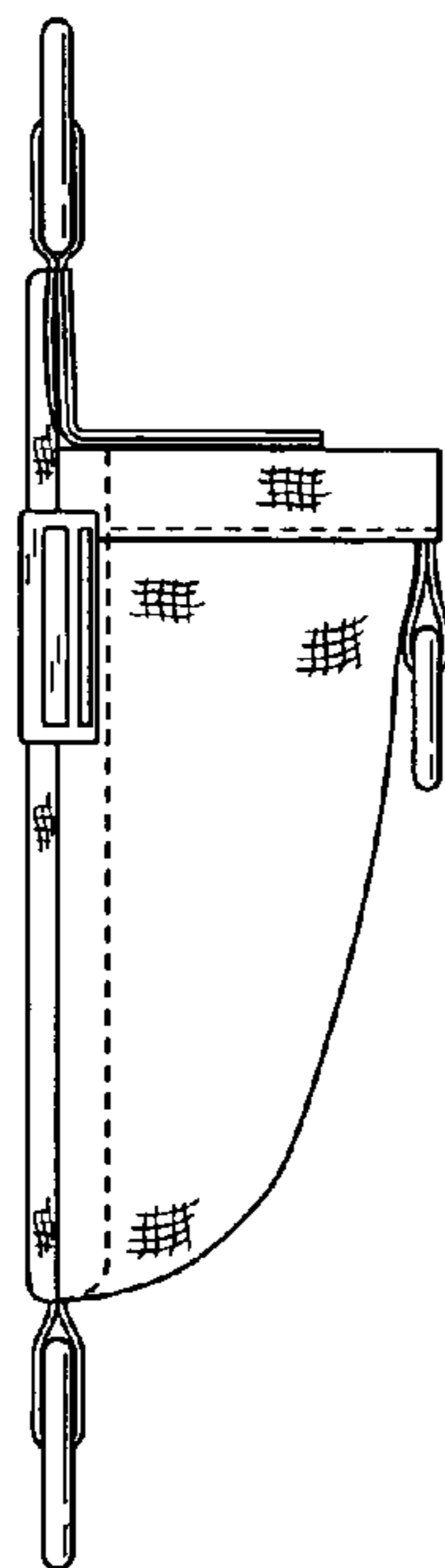


FIG. 6

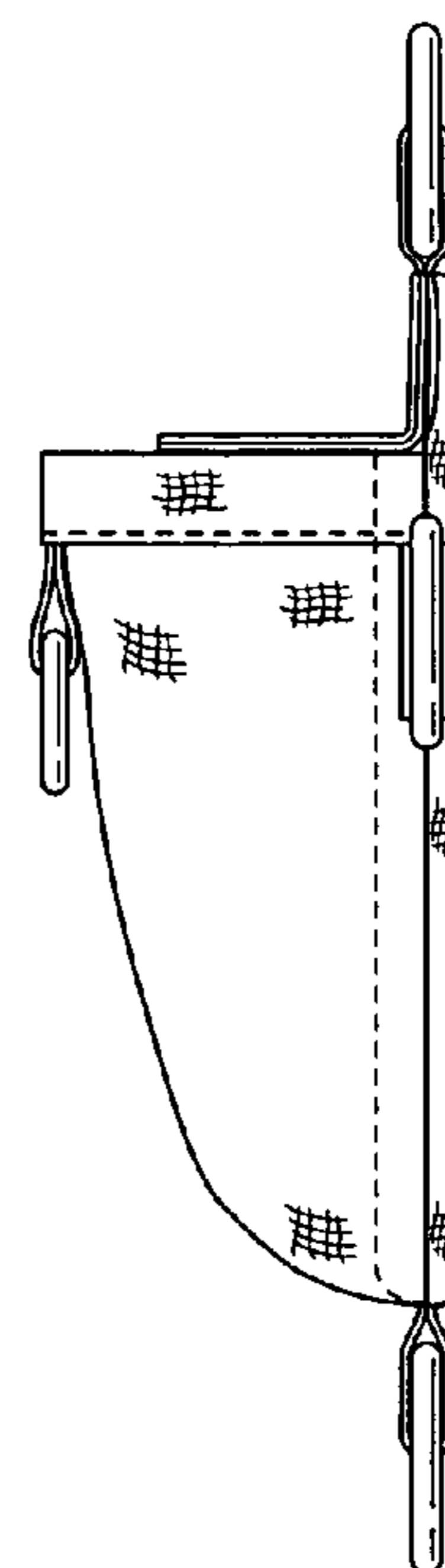


FIG. 7

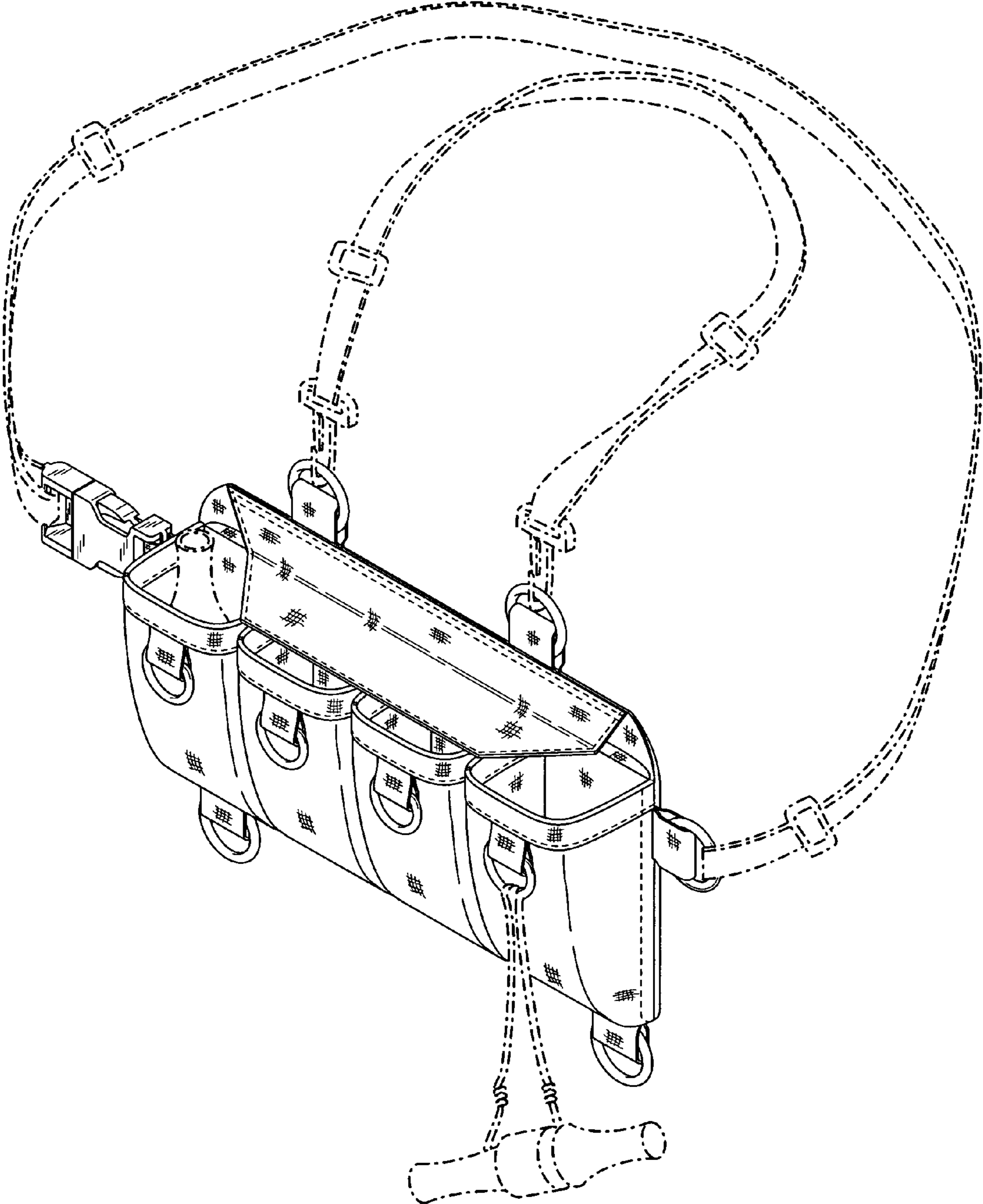


FIG. 8