



US00D653406S

(12) **United States Design Patent**  
**Kahn et al.**

(10) **Patent No.:** **US D653,406 S**

(45) **Date of Patent:** **\*\* Jan. 31, 2012**

(54) **DOG BED**

(76) Inventors: **Gary Kahn**, Toledo, OH (US); **Deborah D. Kahn**, Temperance, MI (US)

(\*\*) Term: **14 Years**

(21) Appl. No.: **29/383,207**

(22) Filed: **Jan. 13, 2011**

(51) **LOC (9) Cl.** ..... **30-06**

(52) **U.S. Cl.** ..... **D30/118**

(58) **Field of Classification Search** ..... D30/118;  
D6/595-596, 601, 604-605; 119/28.5

See application file for complete search history.

(56) **References Cited**

U.S. PATENT DOCUMENTS

4,539,935	A *	9/1985	Meyer	119/28.5
D309,199	S *	7/1990	McMahon	D30/118
D395,143	S *	6/1998	McMahon	D30/118
D424,755	S *	5/2000	Black et al.	D30/118
D436,235	S *	1/2001	Watt	D30/118
D503,500	S *	3/2005	Gaspari	D30/118
D552,854	S *	10/2007	Tseng	D30/118
D561,404	S *	2/2008	Lee	D30/118
D577,158	S *	9/2008	Song	D30/118

D614,362	S *	4/2010	Zine	D30/118
D616,210	S *	5/2010	Tin	D6/349
D617,056	S *	6/2010	Zine	D30/118
2008/0156275	A1 *	7/2008	Lam	119/28.5

\* cited by examiner

*Primary Examiner* — Cathy A MacCormac

(74) *Attorney, Agent, or Firm* — Hani Z. Sayed; Rutan & Tucker, LLP

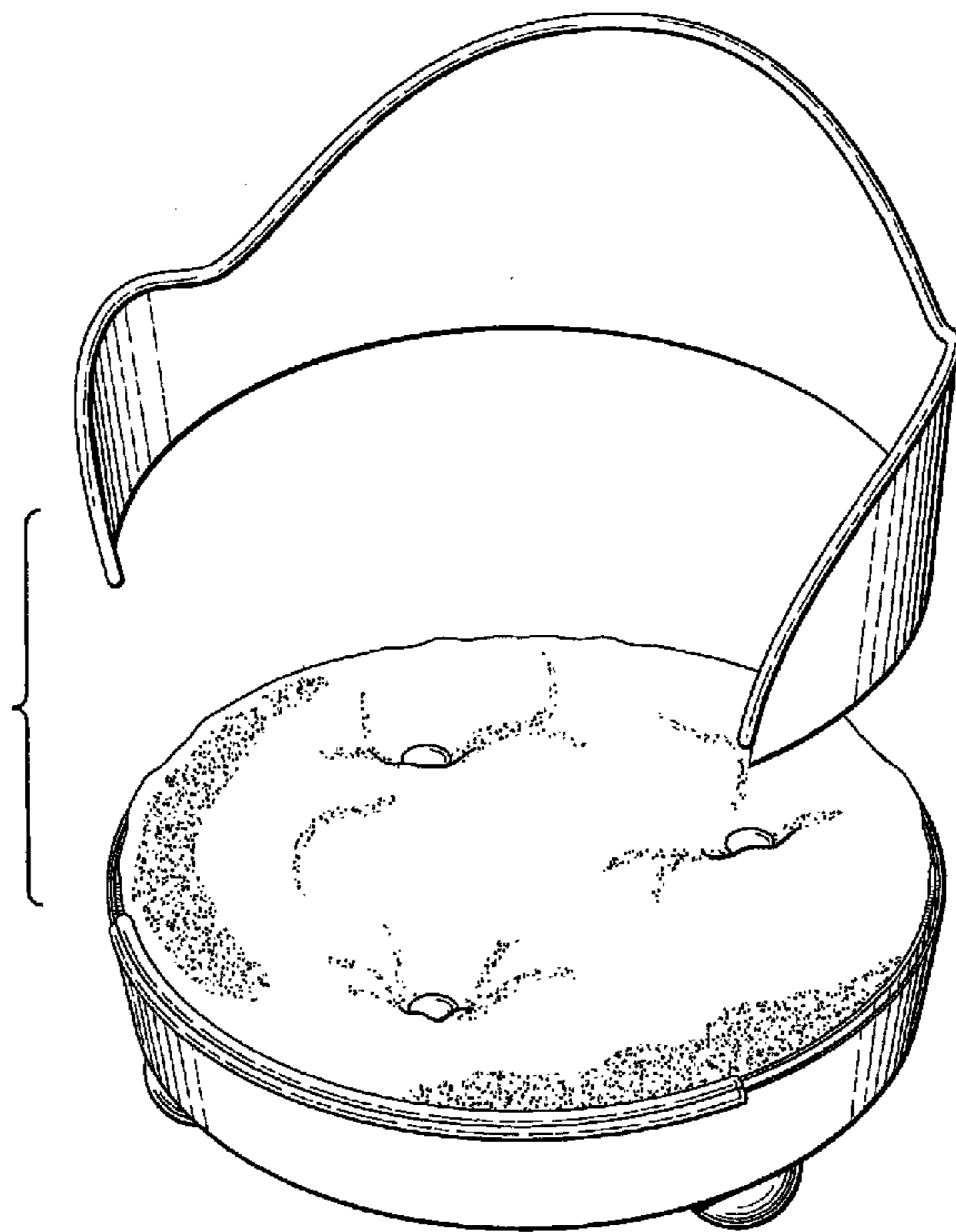
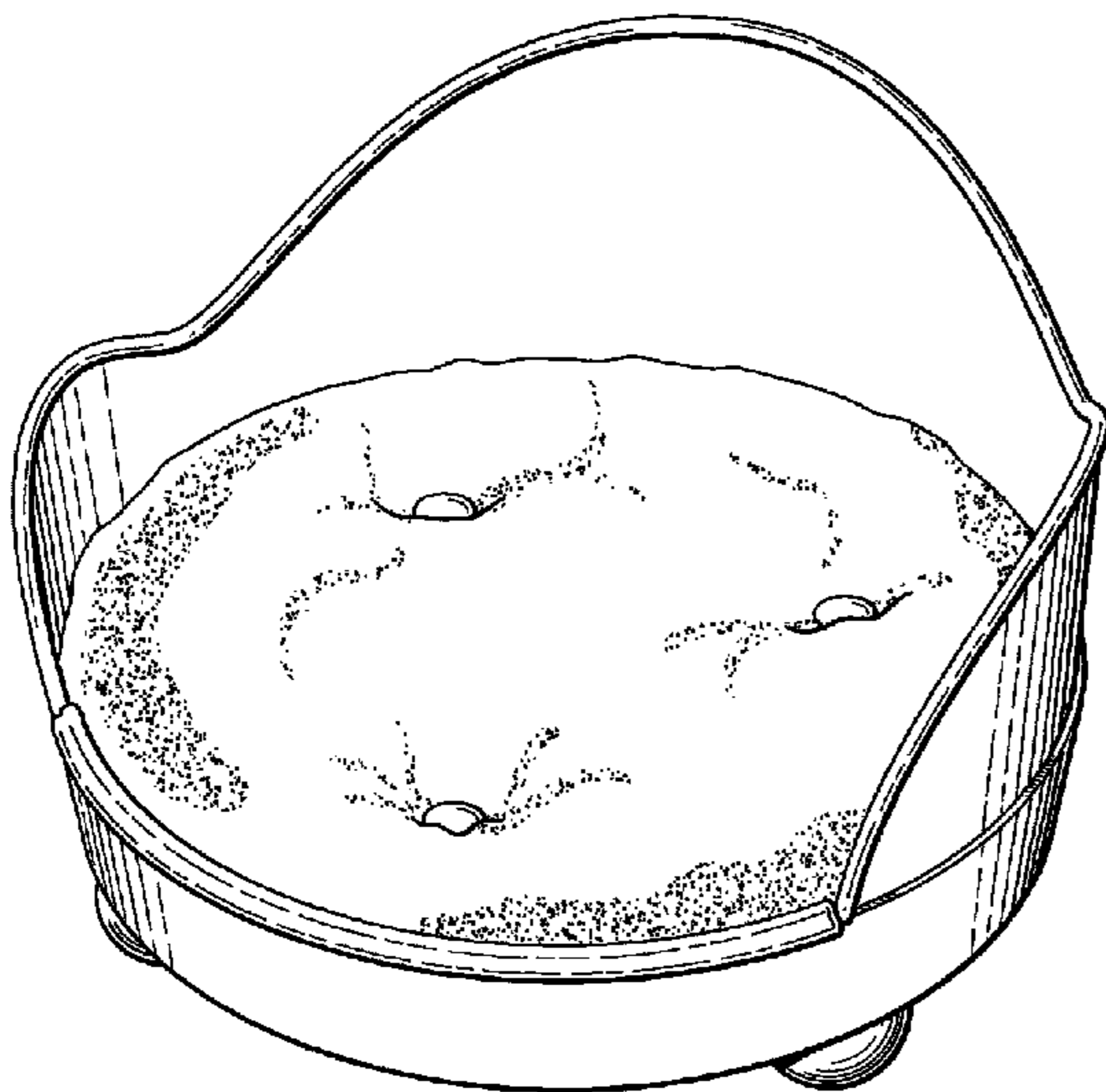
(57) **CLAIM**

The ornamental design for a dog bed, as shown and described.

**DESCRIPTION**

FIG. 1 is a top, front, right side perspective view of a first embodiment of a dog bed showing our new design;  
 FIG. 2 is a front elevation view;  
 FIG. 3 is a right side elevation view, left side elevation view being a mirror image;  
 FIG. 4 is a rear elevation view;  
 FIG. 5 is a top plan view;  
 FIG. 6 is a bottom plan view; and,  
 FIG. 7 is a top, front, right side exploded perspective view thereof.

**1 Claim, 6 Drawing Sheets**



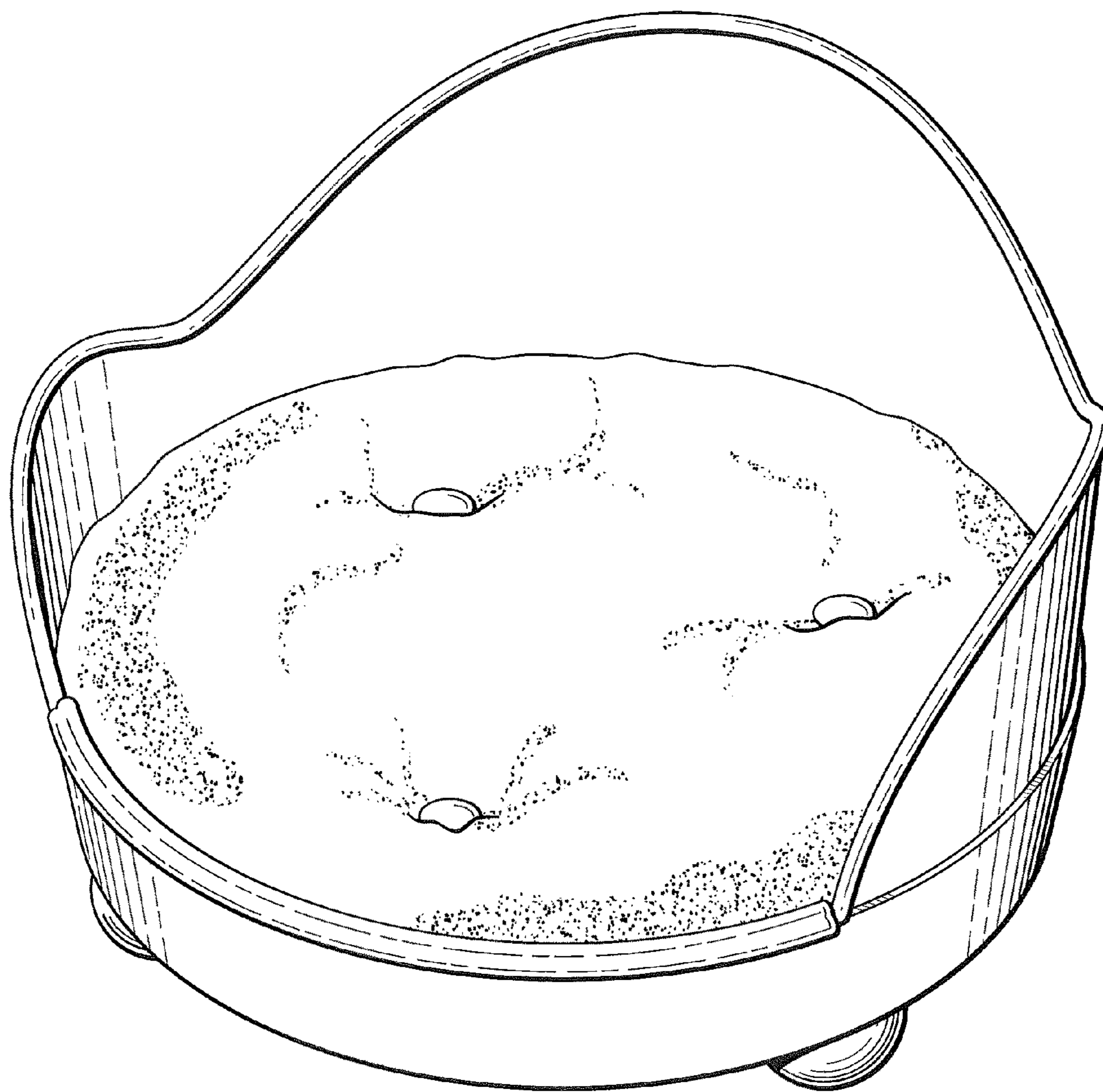


FIG. 1

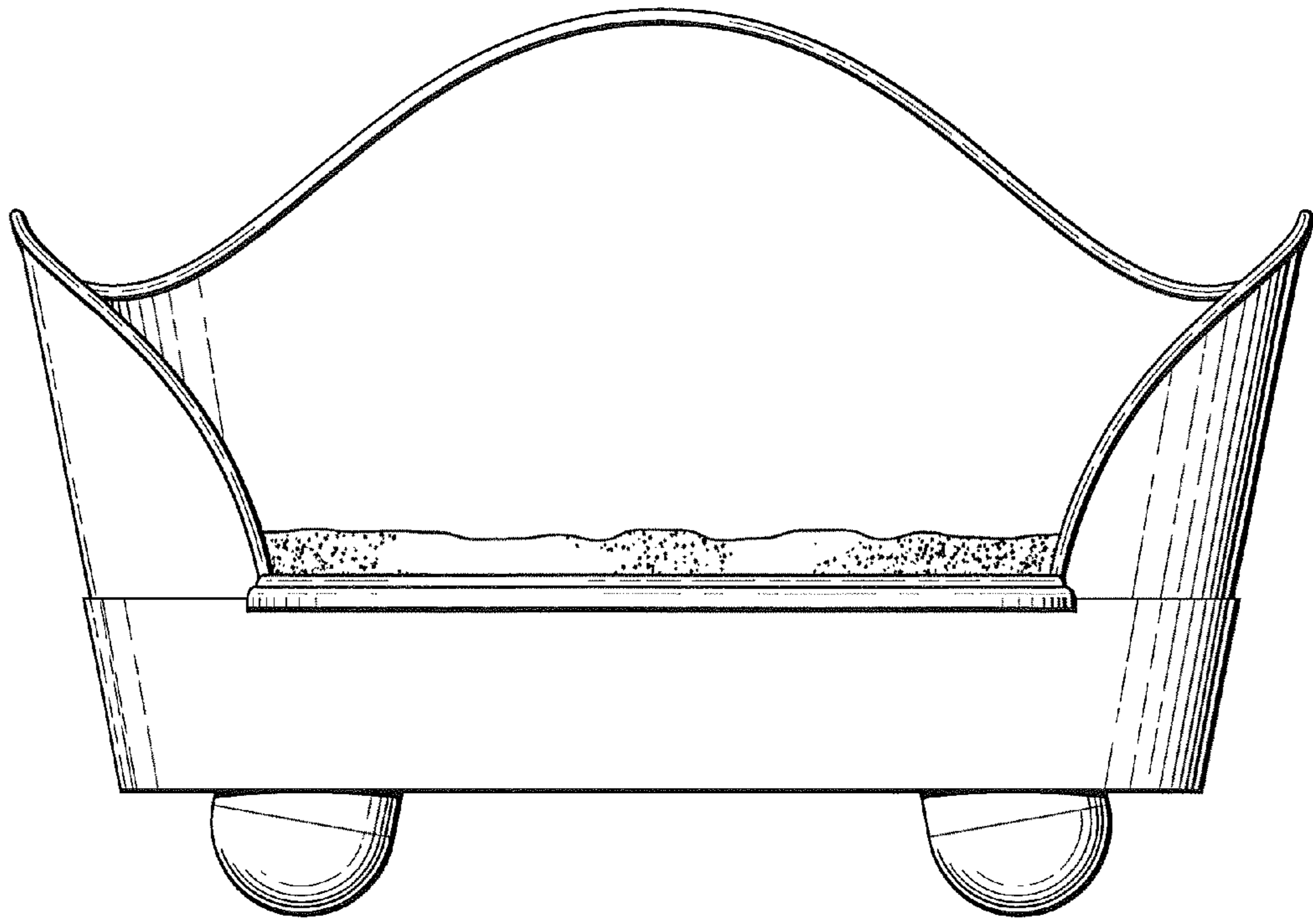
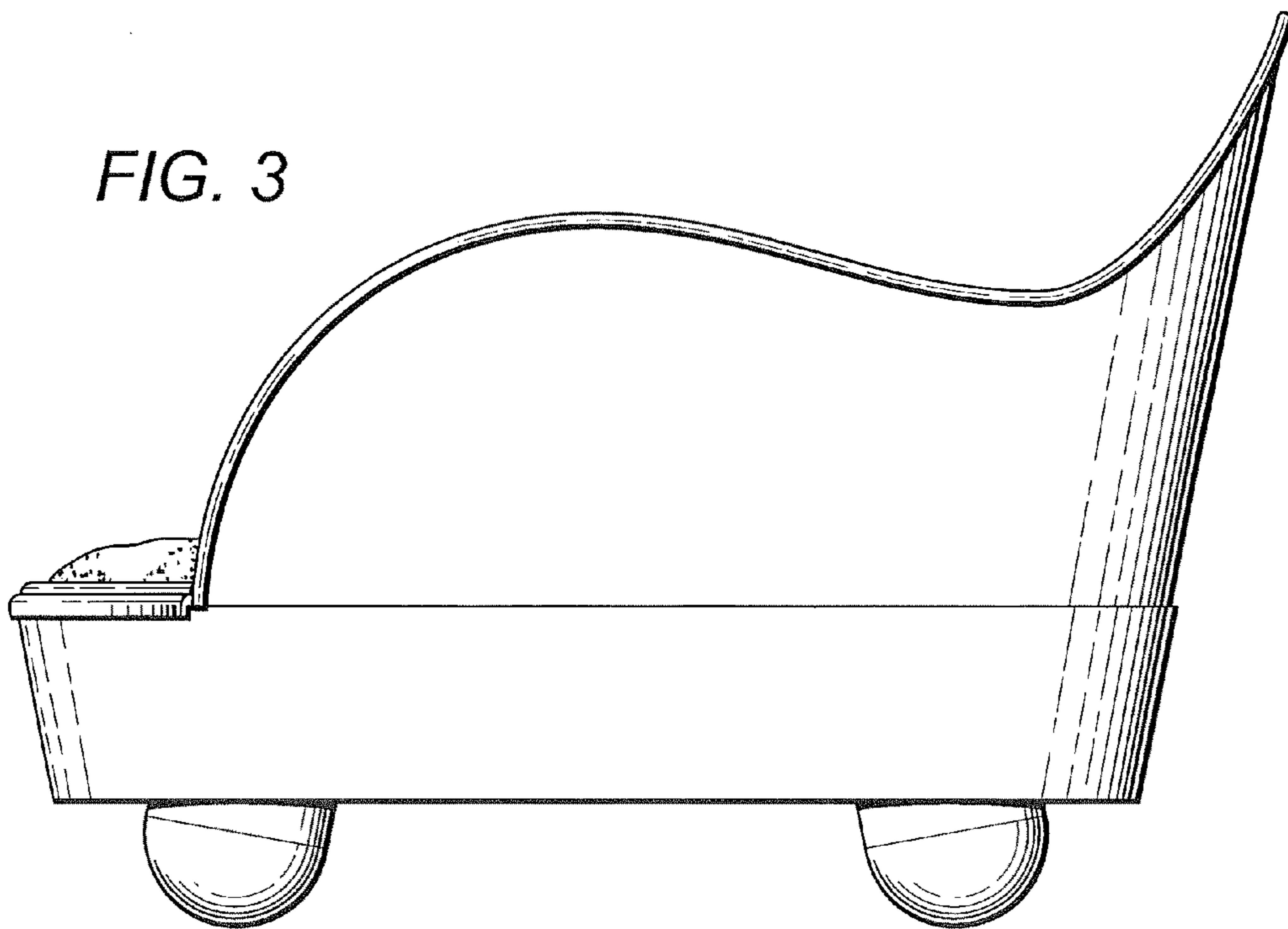


FIG. 2

FIG. 3



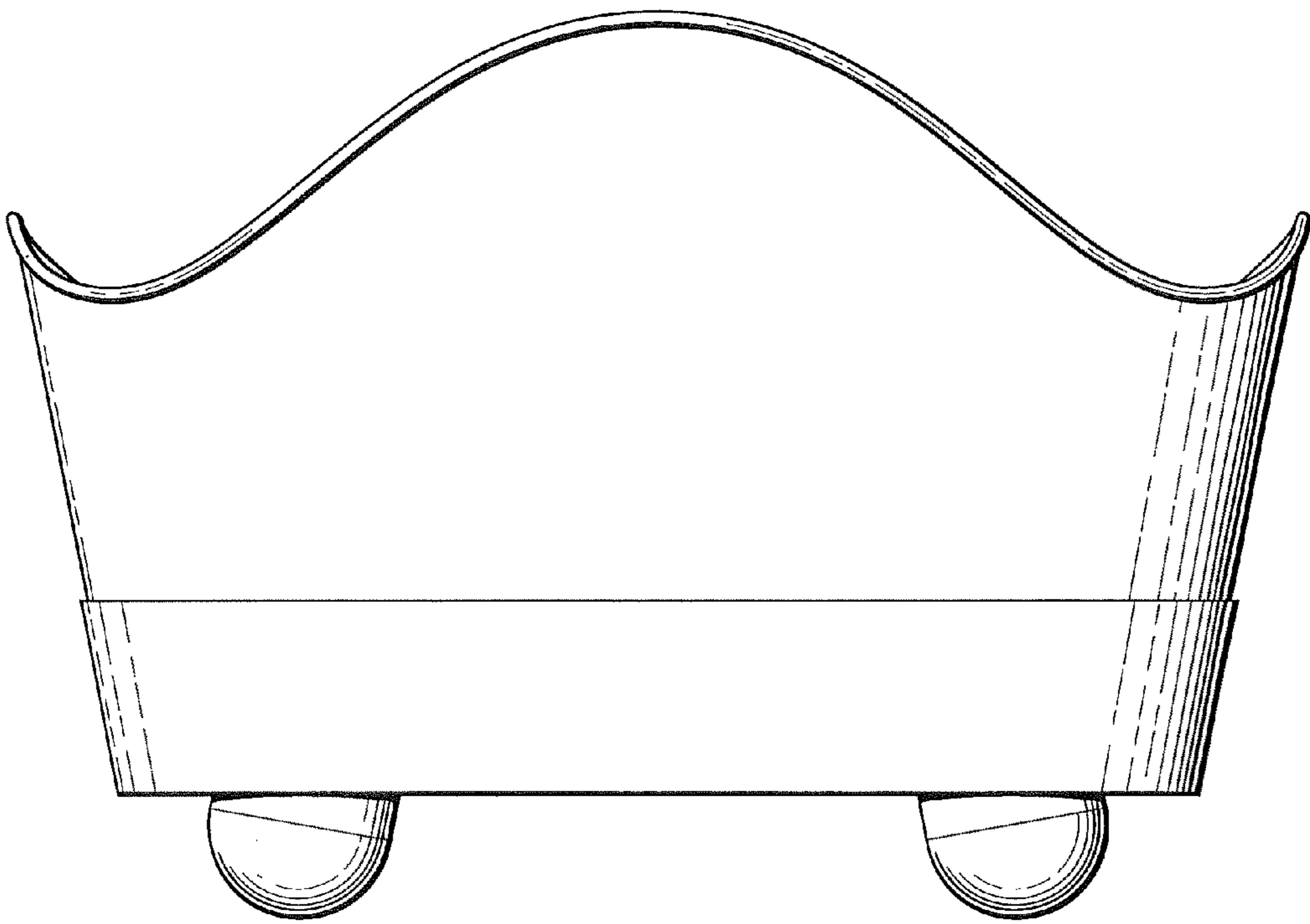


FIG. 4

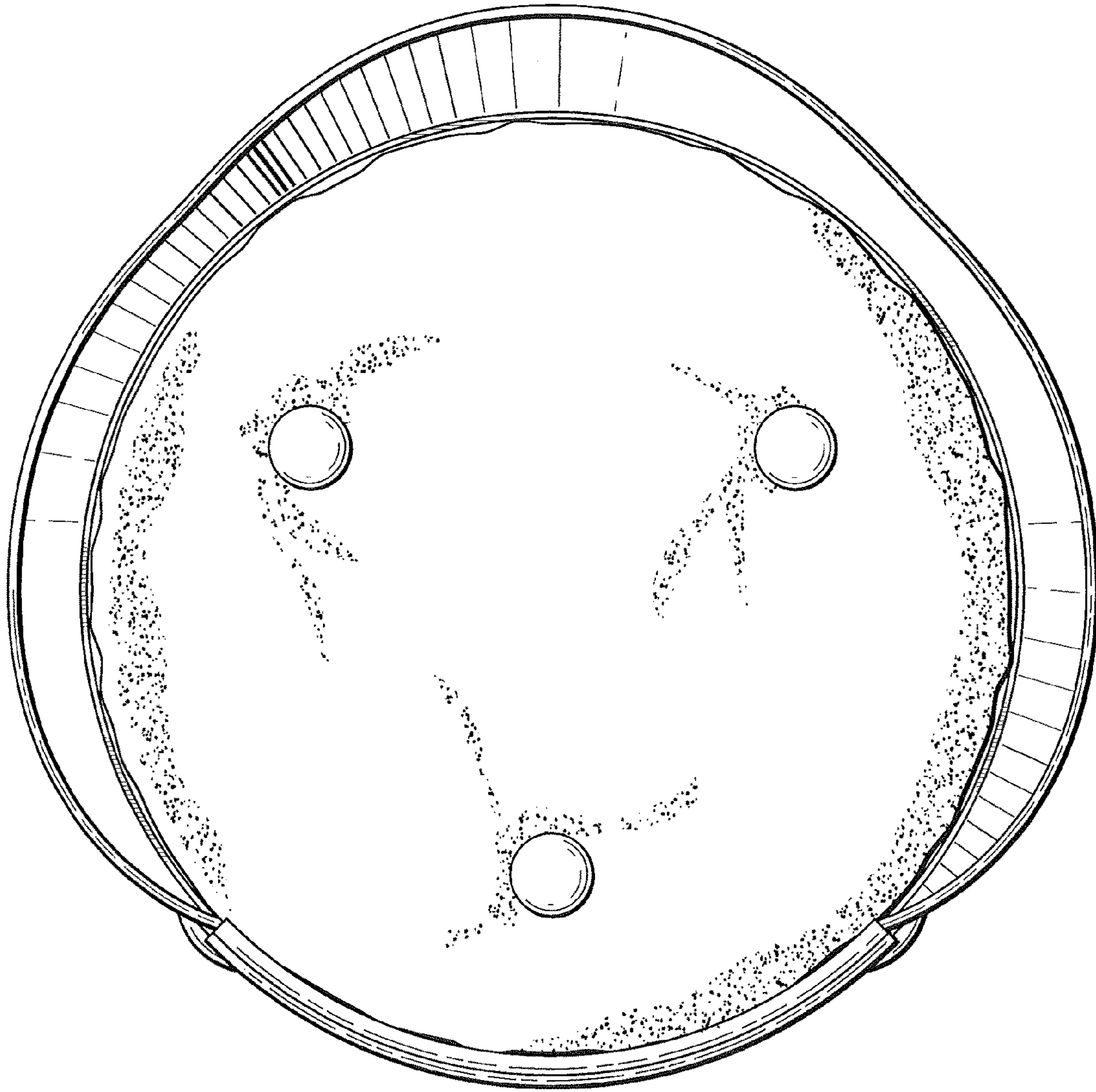


FIG. 5

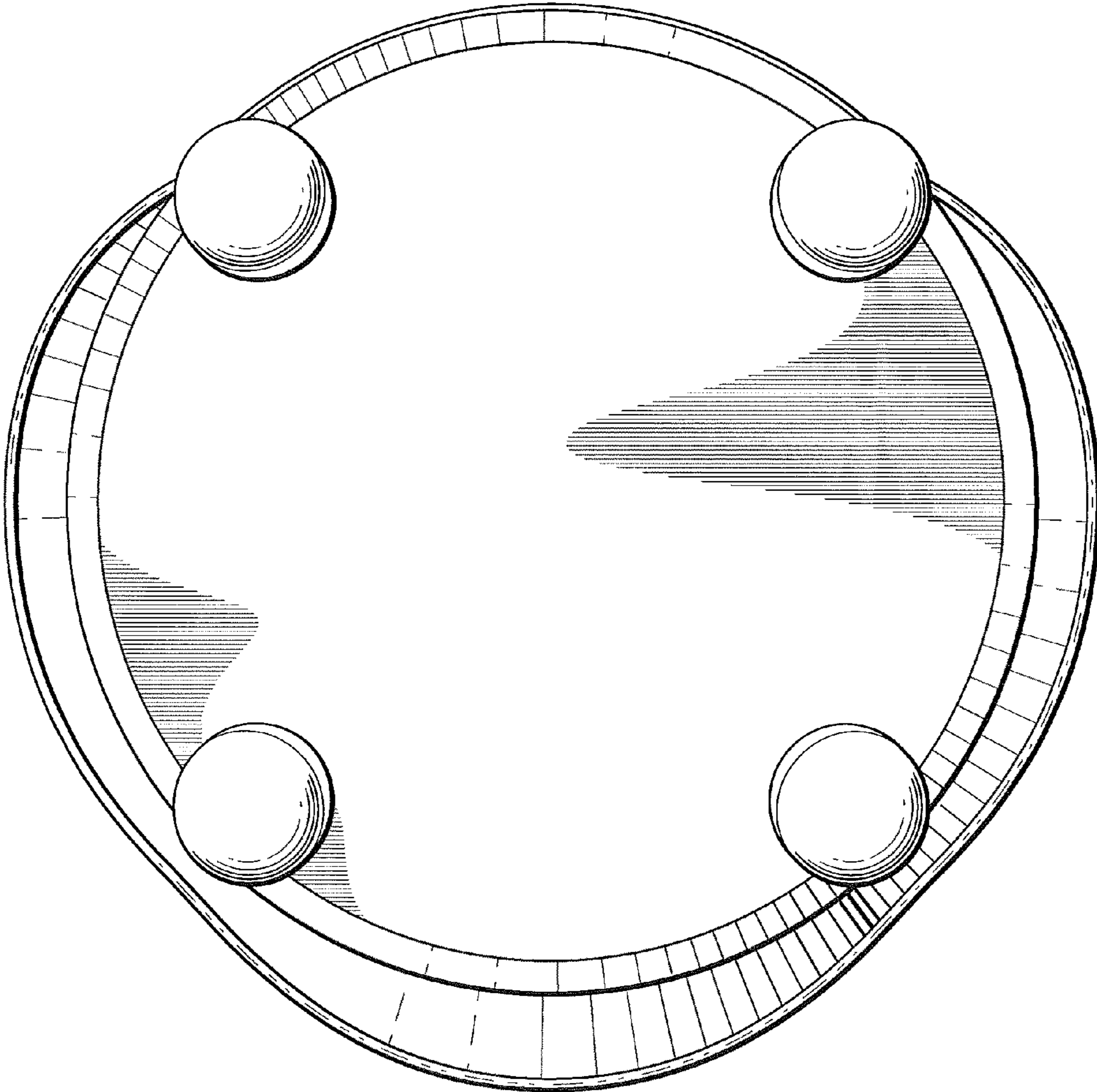


FIG. 6

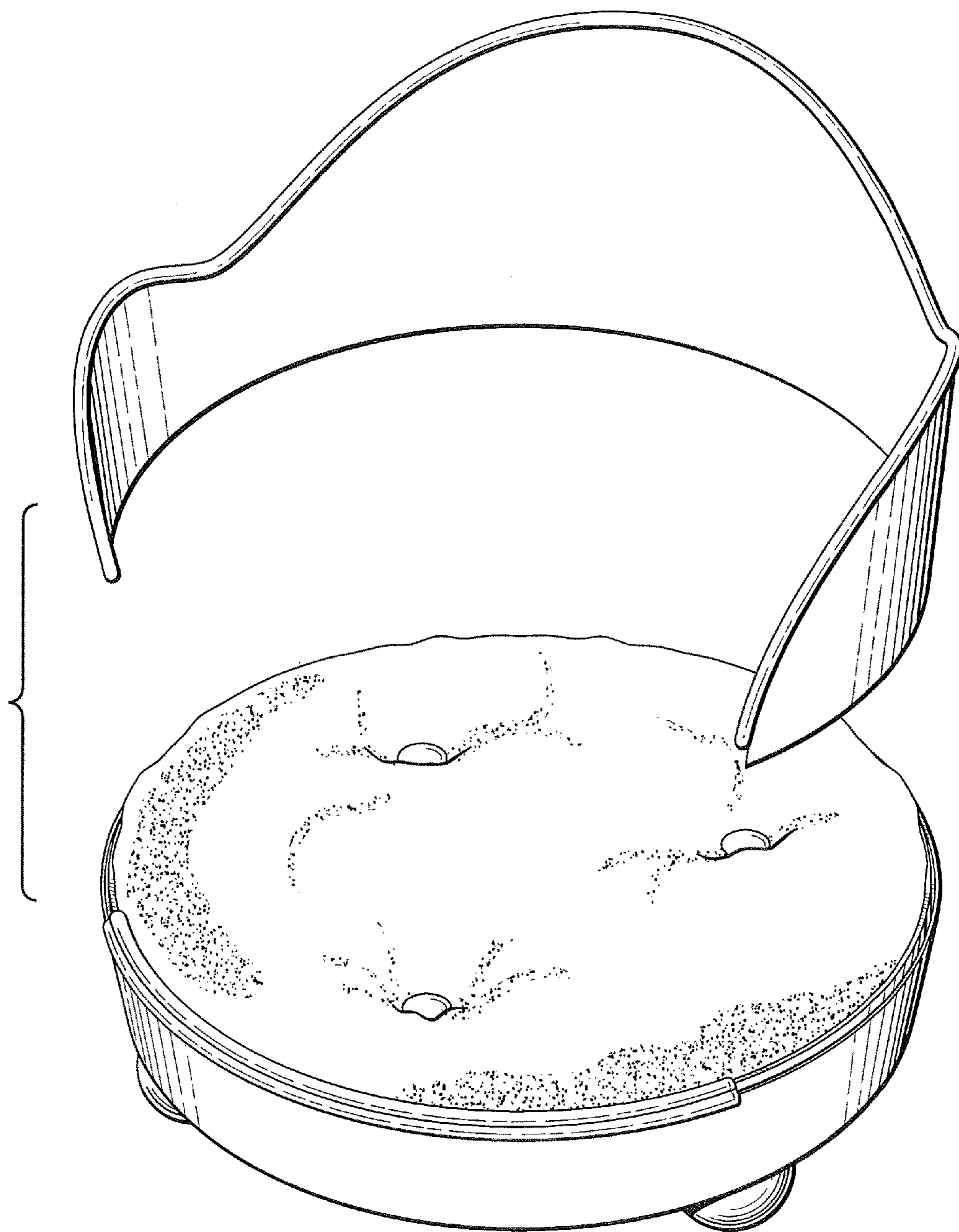


FIG. 7