



US00D653404S

(12) **United States Design Patent**
Wong

(10) **Patent No.:** **US D653,404 S**
(45) **Date of Patent:** **** Jan. 31, 2012**

(54) **MOBILE PET CARRIER**

(76) Inventor: **Ryan Y. Wong**, Brookline, MA (US)

(**) Term: **14 Years**

(21) Appl. No.: **29/386,151**

(22) Filed: **Feb. 25, 2011**

(51) **LOC (9) Cl.** **30-02**

(52) **U.S. Cl.** **D30/108**

(58) **Field of Classification Search** D30/108-120,
D30/161; 119/28.5, 161-170, 482, 496-499,
119/502, 512-513, 712

See application file for complete search history.

(56) **References Cited**

U.S. PATENT DOCUMENTS

D451,646 S	*	12/2001	Lerner	D30/109
D566,906 S	*	4/2008	Rogers	D30/108
D619,307 S	*	7/2010	Martin	D30/109

* cited by examiner

Primary Examiner — T. Chase Nelson

Assistant Examiner — Ania Aman

(74) *Attorney, Agent, or Firm* — Bay State IP, LLC; Adam J. Bruno

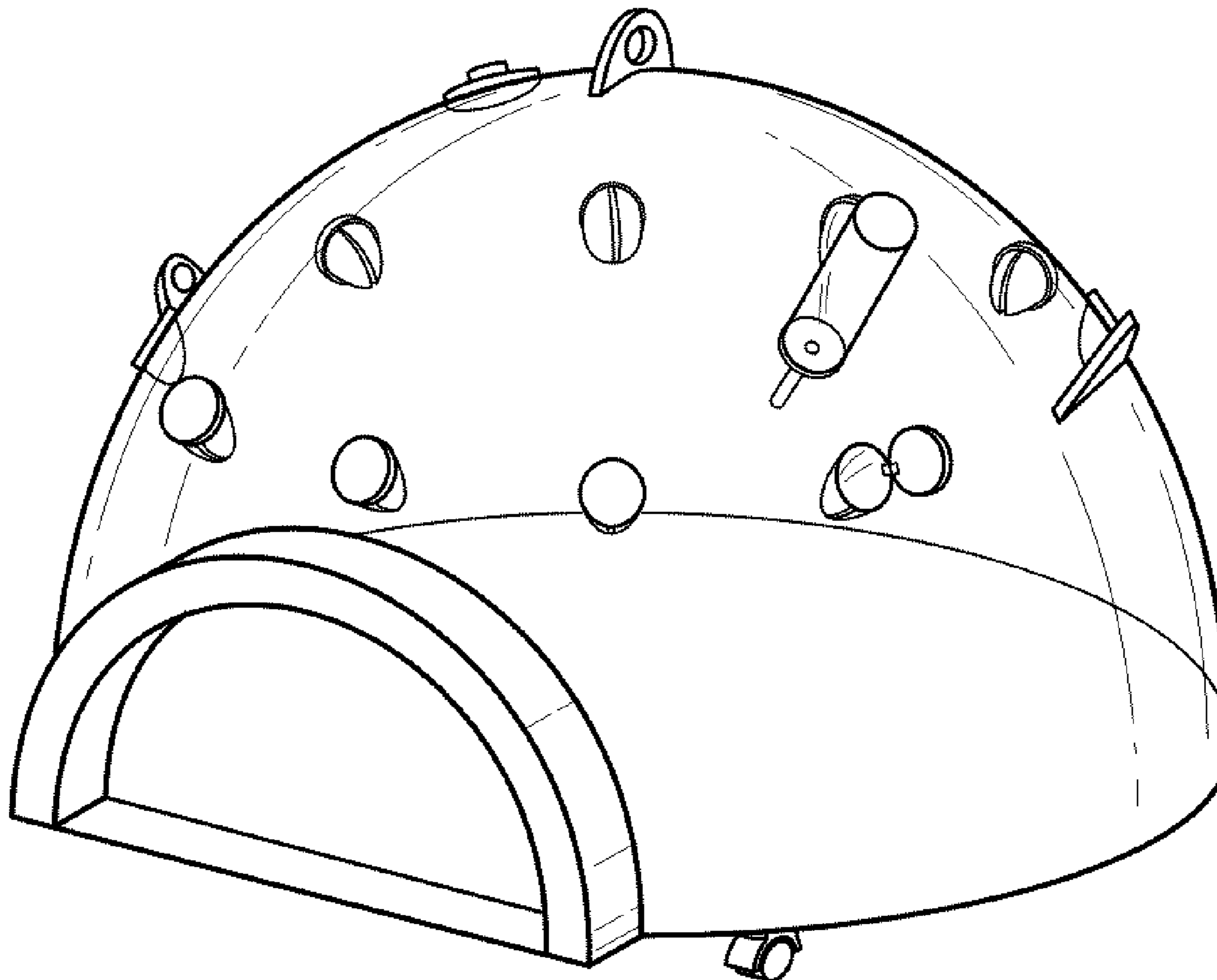
(57) **CLAIM**

The ornamental design for a mobile pet carrier, as shown and described.

DESCRIPTION

FIG. 1 is a perspective view of the mobile pet carrier, showing my new design;
FIG. 2 is a top plan view thereof;
FIG. 3 is a bottom plan view thereof;
FIG. 4 is a front elevation view thereof;
FIG. 5 is a rear elevation view thereof; and,
FIG. 6 is a left side elevation view.

1 Claim, 2 Drawing Sheets



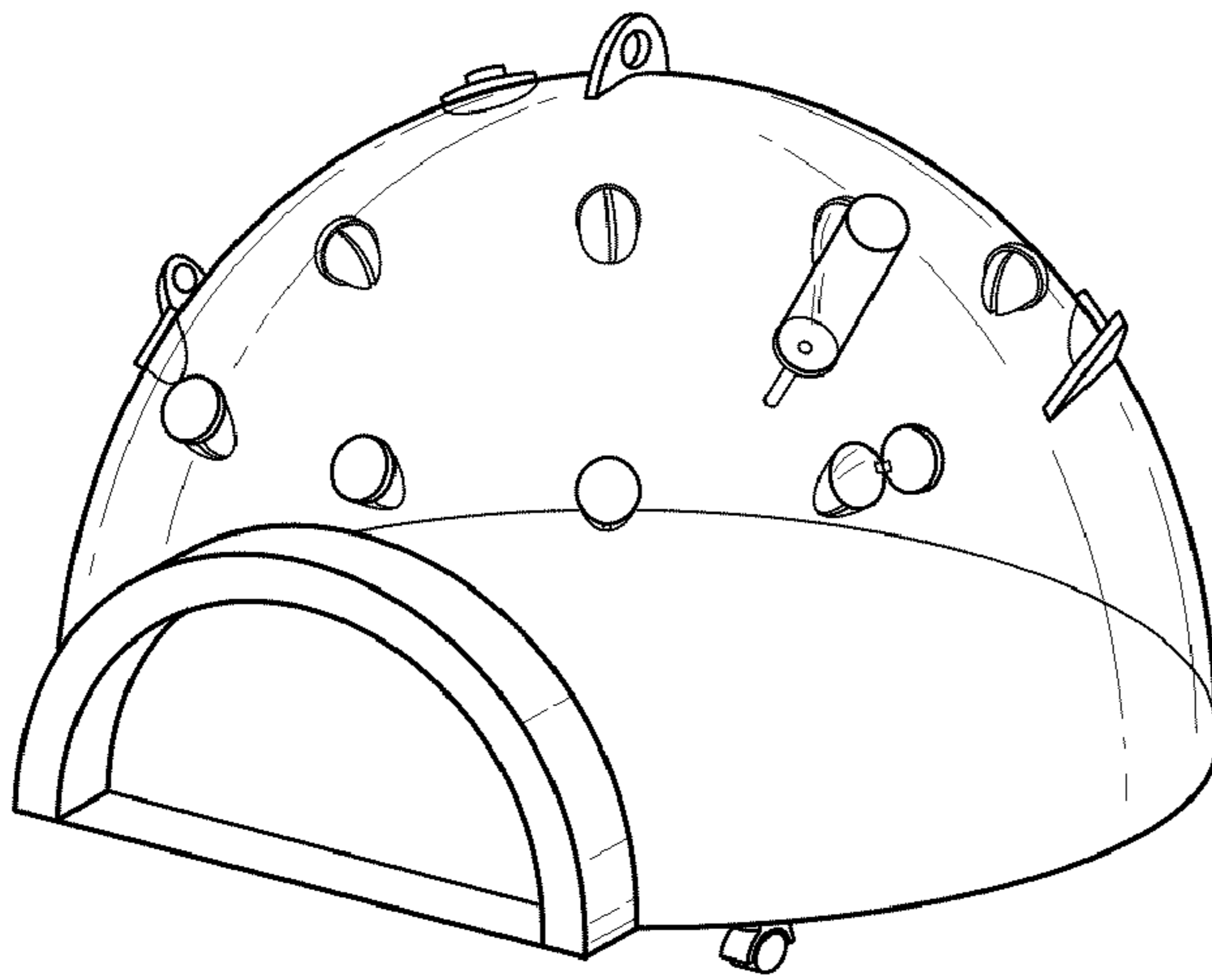


Fig. 1

Fig. 2

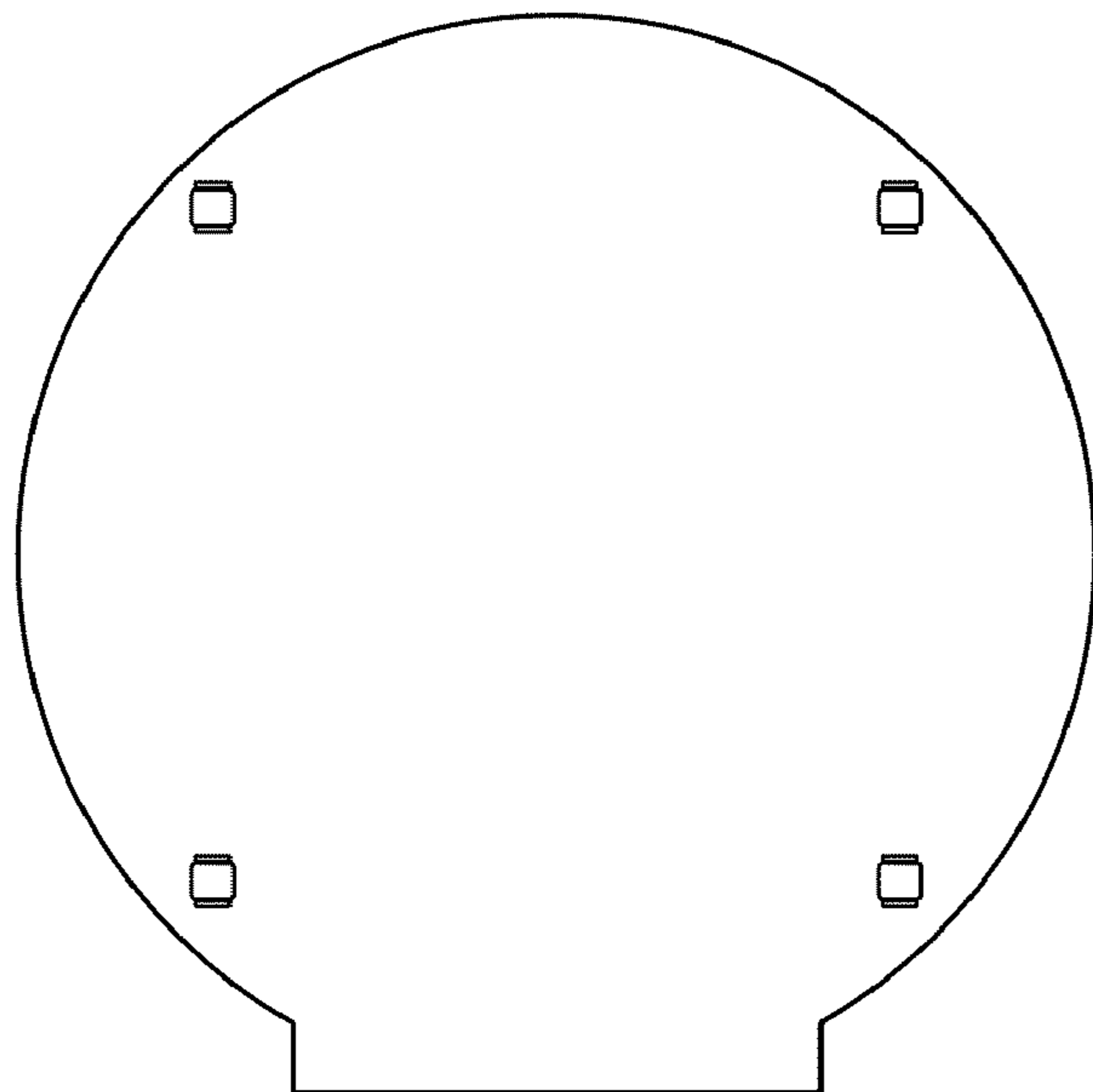
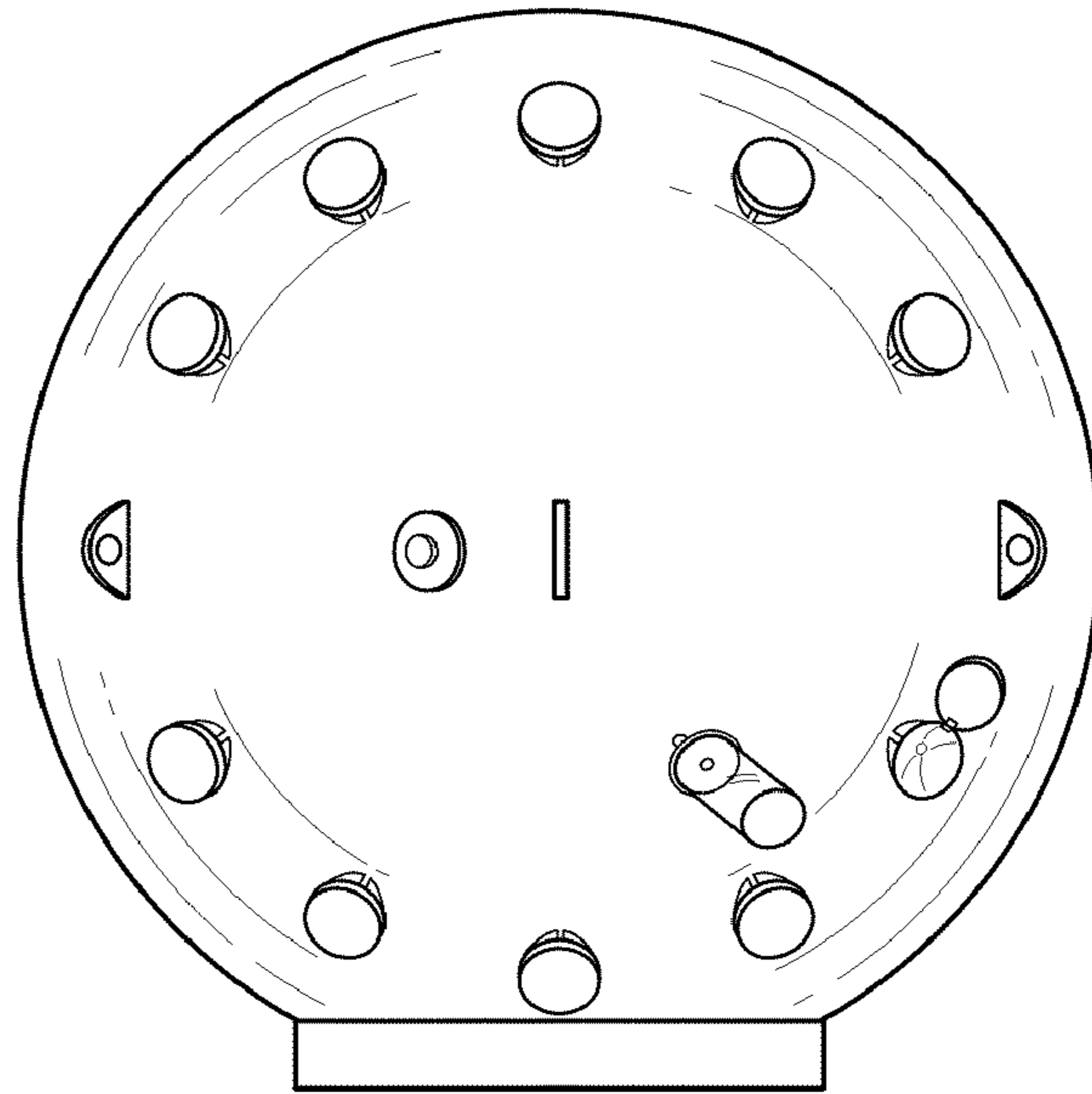


Fig. 3

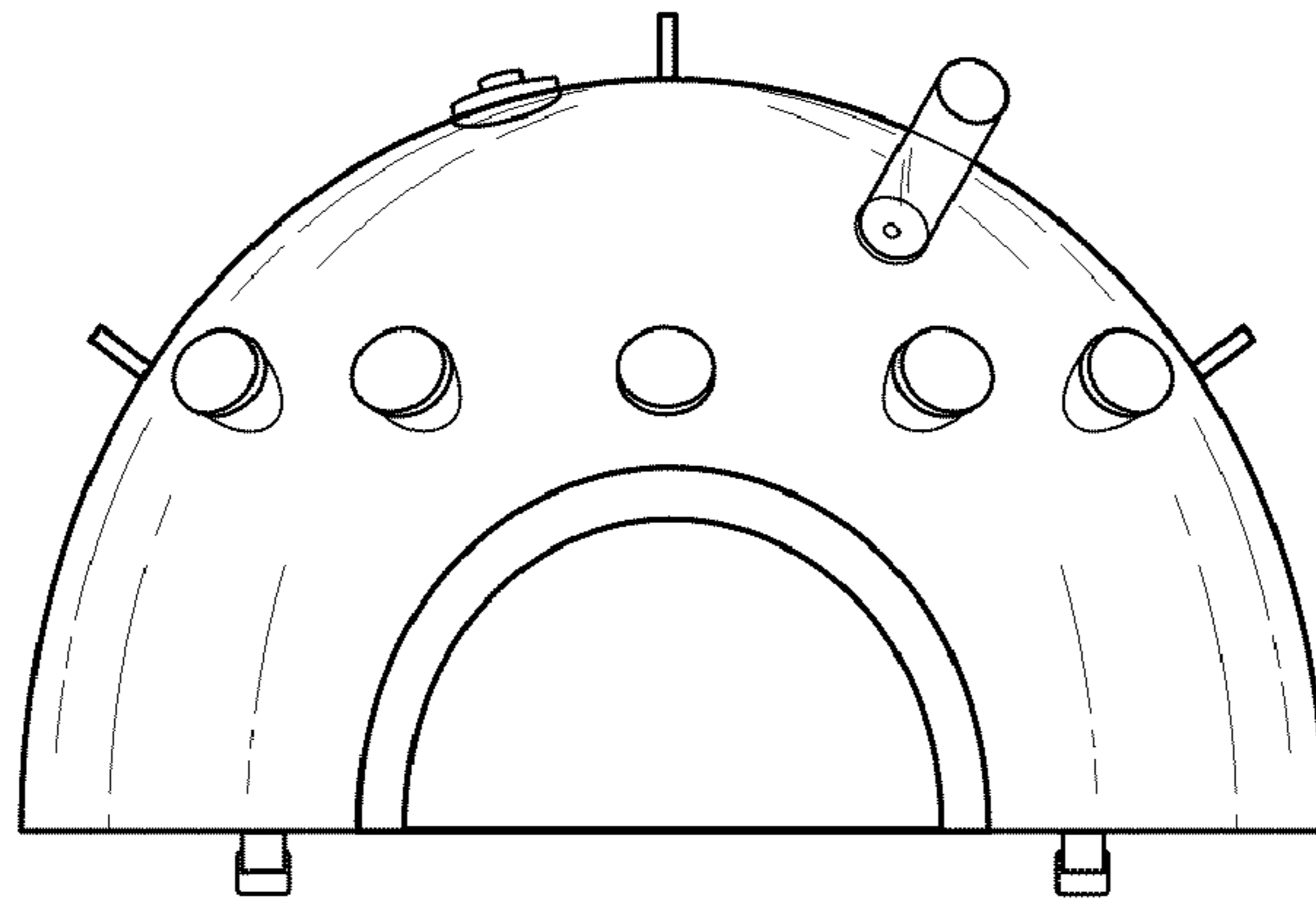


Fig. 4

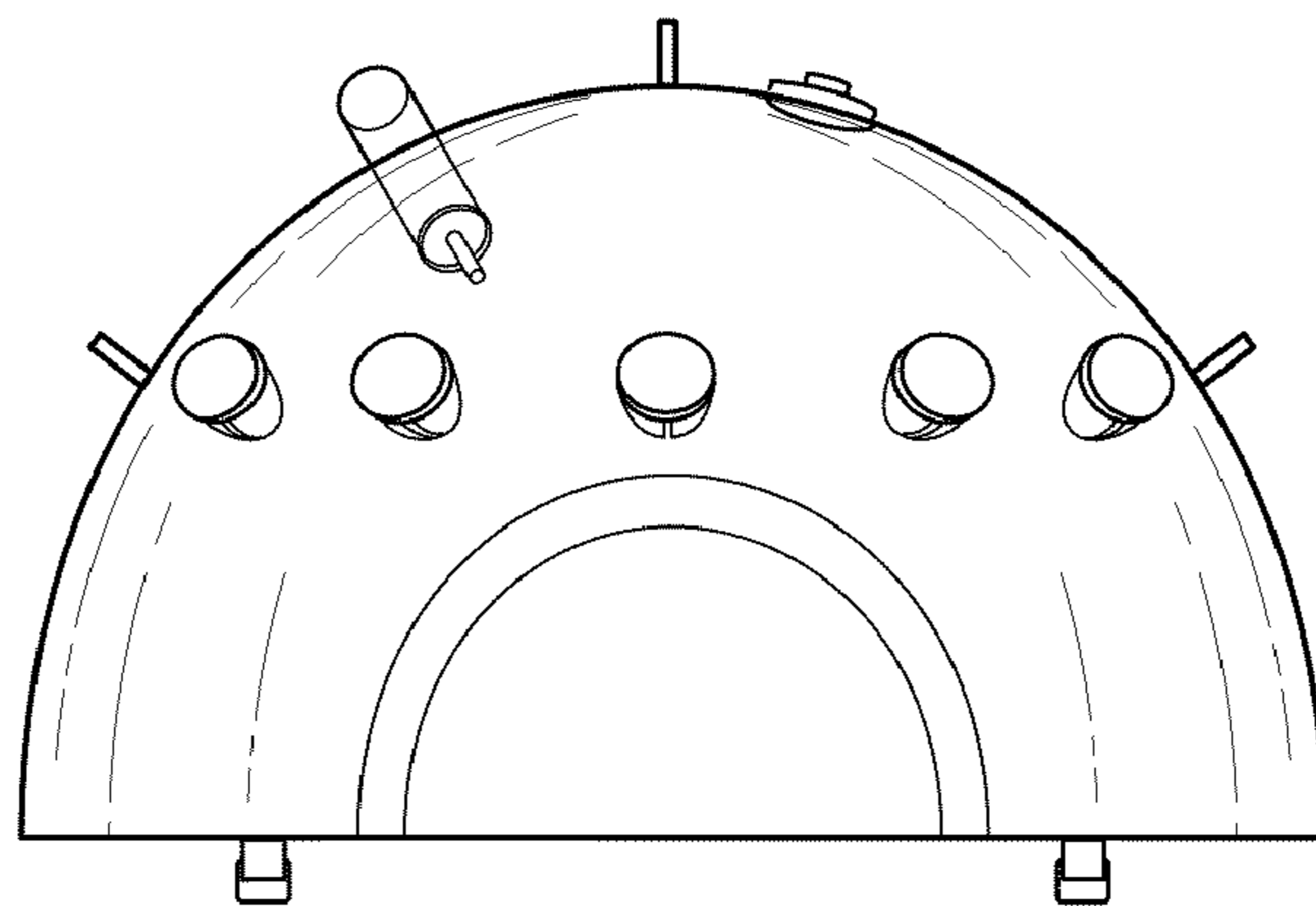


Fig. 5

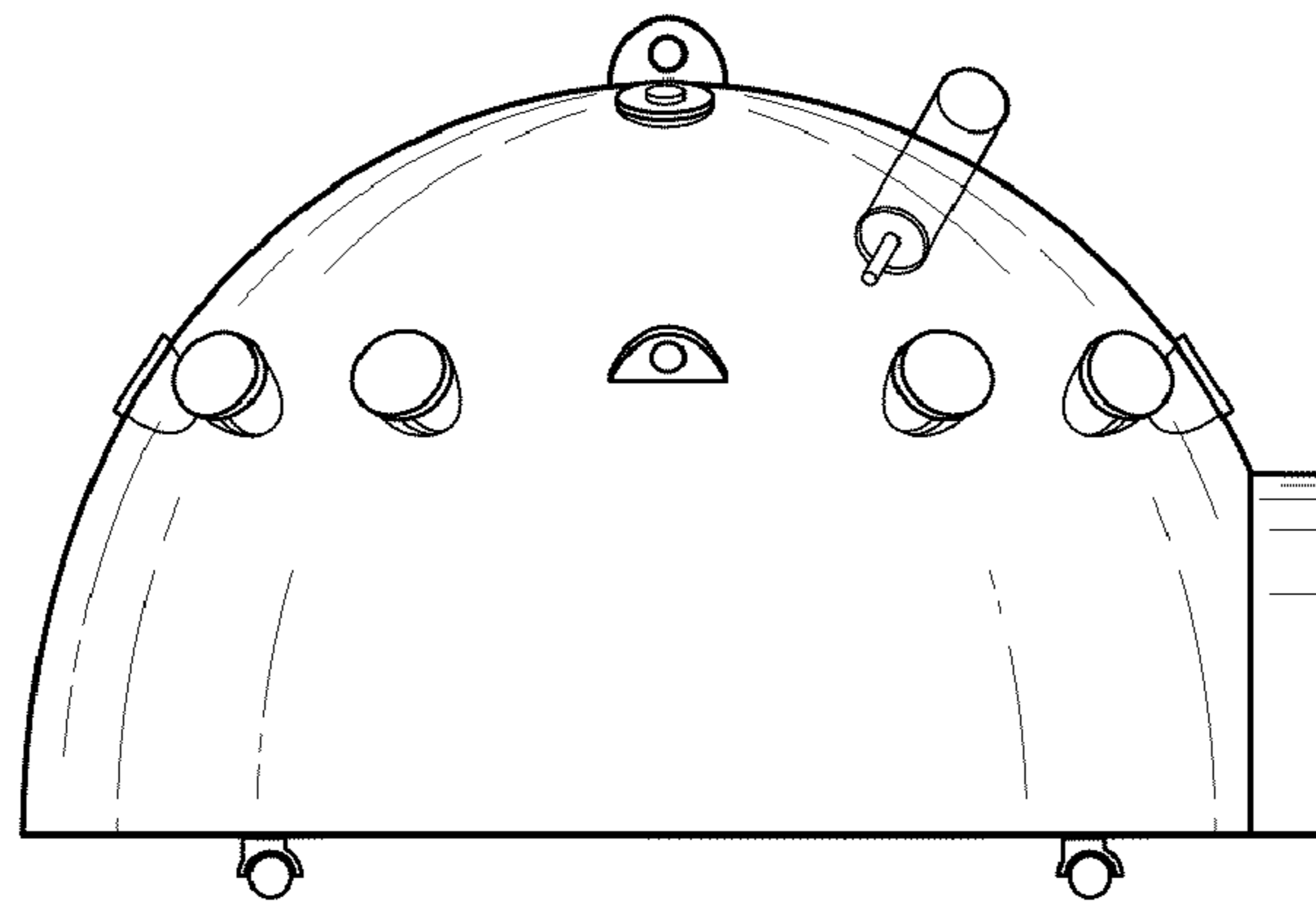


Fig. 6