



US00D653395S

(12) **United States Design Patent**
Adams et al.

(10) **Patent No.:** **US D653,395 S**
(45) **Date of Patent:** **** Jan. 31, 2012**

- (54) **SHAVING RAZOR CARTRIDGE**
- (75) Inventors: **Isabelle Jane Adams**, Reading (GB);
Terence Gordon Royle, Basingstoke (GB)
- (73) Assignee: **The Gillette Company**, Boston, MA (US)
- (**) Term: **14 Years**
- (21) Appl. No.: **29/389,745**
- (22) Filed: **Apr. 15, 2011**

D559,452 S *	1/2008	Padain et al.	D28/46
D563,043 S *	2/2008	Ramm	D28/47
D563,044 S *	2/2008	Ramm	D28/47
D563,047 S *	2/2008	Ramm et al.	D28/48
D609,404 S *	2/2010	Peysen et al.	D28/47
D614,354 S *	4/2010	Christie et al.	D28/48
D616,147 S *	5/2010	Adams	D28/46
D631,198 S *	1/2011	Adams et al.	D28/47
D638,580 S *	5/2011	Adams et al.	D28/46
2007/0107231 A1 *	5/2007	Brown et al.	30/50
2007/0180700 A9 *	8/2007	Sandor et al.	30/41

* cited by examiner

Primary Examiner — Jennifer Rivard
(74) *Attorney, Agent, or Firm* — Ronald T. Sia; Kevin C. Johnson; Steven W. Miller

Related U.S. Application Data

- (62) Division of application No. 29/380,578, filed on Dec. 8, 2010, now Pat. No. Des. 638,580, which is a division of application No. 29/345,344, filed on Oct. 14, 2009, now Pat. No. Des. 631,198.
- (51) **LOC (9) Cl.** **28-03**
- (52) **U.S. Cl.** **D28/47**
- (58) **Field of Classification Search** D28/44-48;
30/32, 34.05, 34.1-34.2, 41, 44-46, 47-51,
30/57-58, 77-84, 526-539
See application file for complete search history.

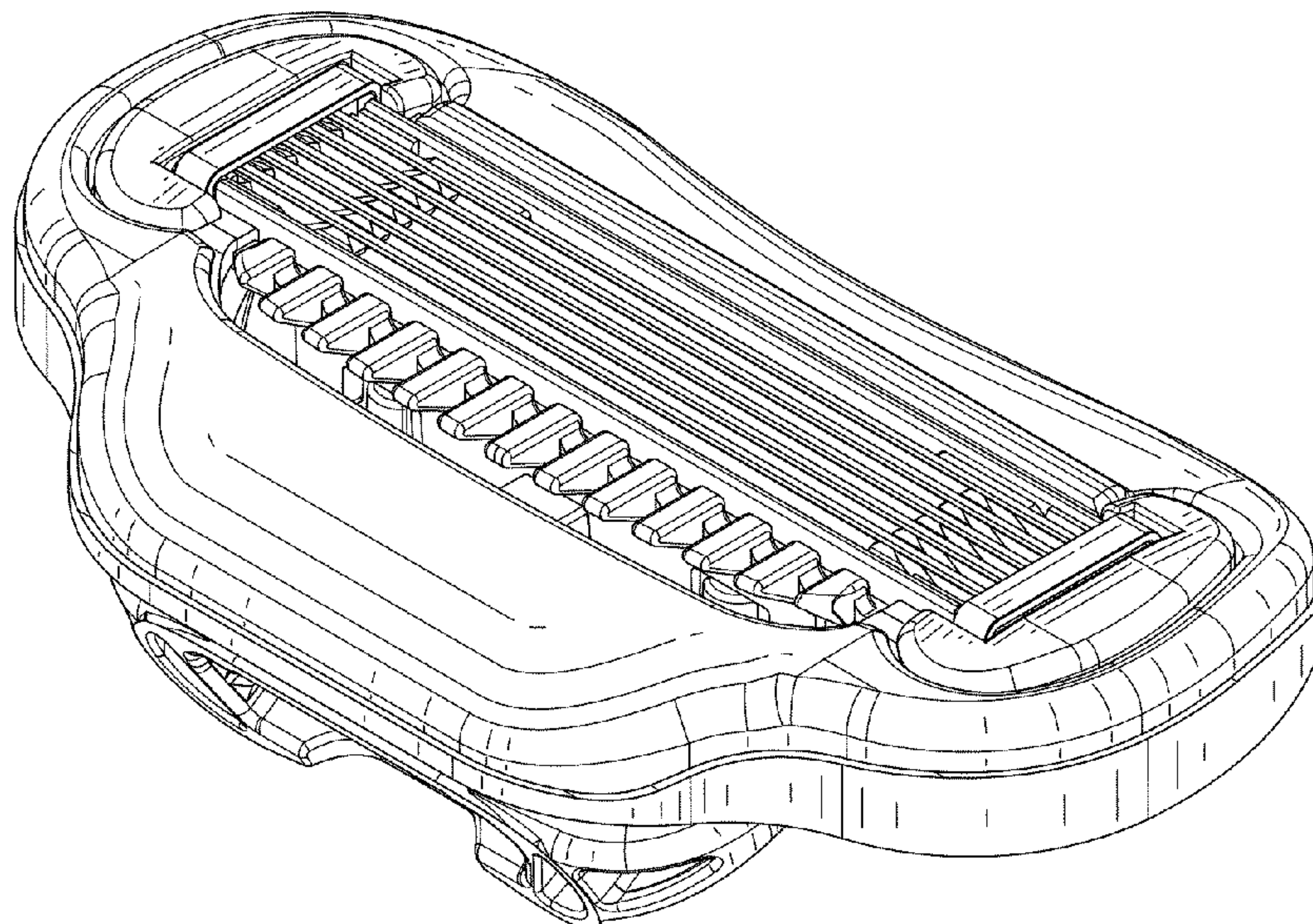
(57) **CLAIM**
The ornamental design for a shaving razor cartridge, as shown and described.

DESCRIPTION

FIG. 1 is a perspective view of a shaving razor cartridge, in accordance with the present invention;
FIG. 2 is a frontal planar view of the shaving razor cartridge of FIG. 1;
FIG. 3 is a back planar view of the shaving razor cartridge of FIG. 1;
FIG. 4 is a side view of the shaving razor cartridge of FIG. 1;
FIG. 5 is another side view of the shaving razor cartridge of FIG. 1, opposite the side view shown in FIG. 4;
FIG. 6 is a top planar view of the shaving razor cartridge of FIG. 1; and,
FIG. 7 is a bottom planar view of the shaving razor cartridge of FIG. 1.

- (56) **References Cited**
- U.S. PATENT DOCUMENTS
- D416,108 S * 11/1999 Shurtleff et al. D28/46
- D524,984 S * 7/2006 Ramm et al. D28/46
- D533,964 S * 12/2006 Ham D28/48
- D536,830 S * 2/2007 Ramm et al. D28/48
- D547,494 S * 7/2007 Watson et al. D28/47
- D550,400 S * 9/2007 Orloff et al. D28/47
- D556,378 S * 11/2007 Watson et al. D28/47

1 Claim, 4 Drawing Sheets



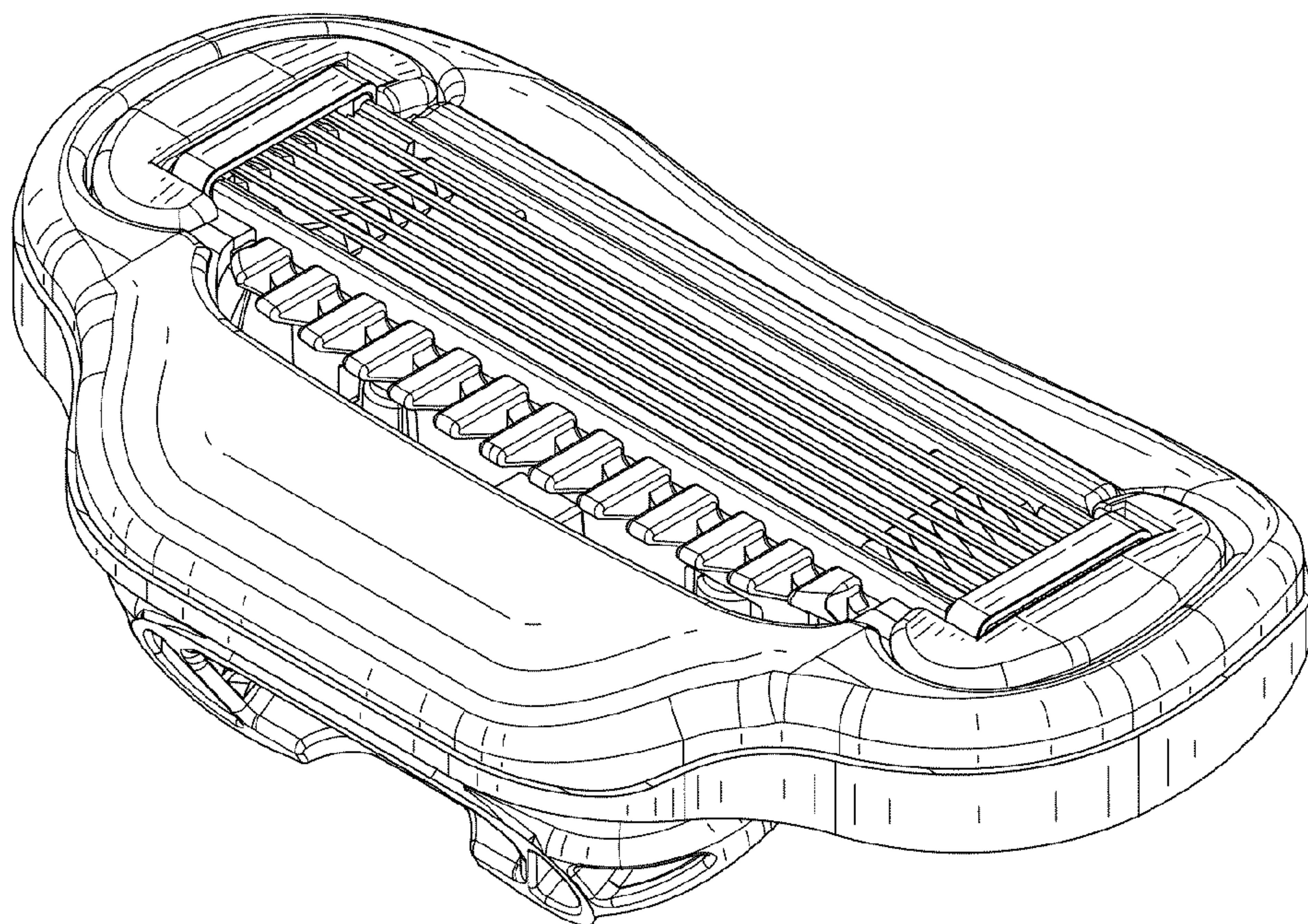


FIG. 1

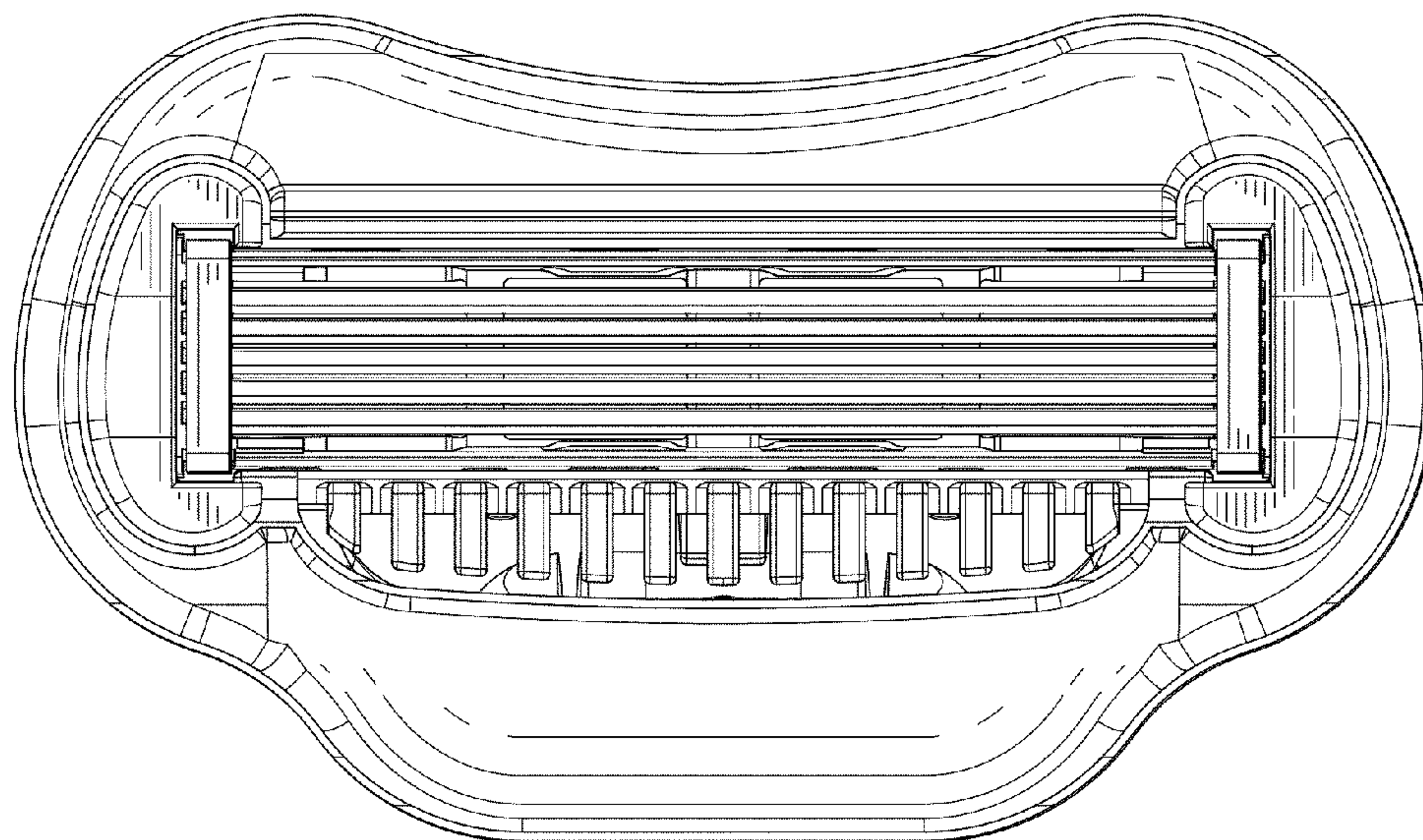


FIG. 2

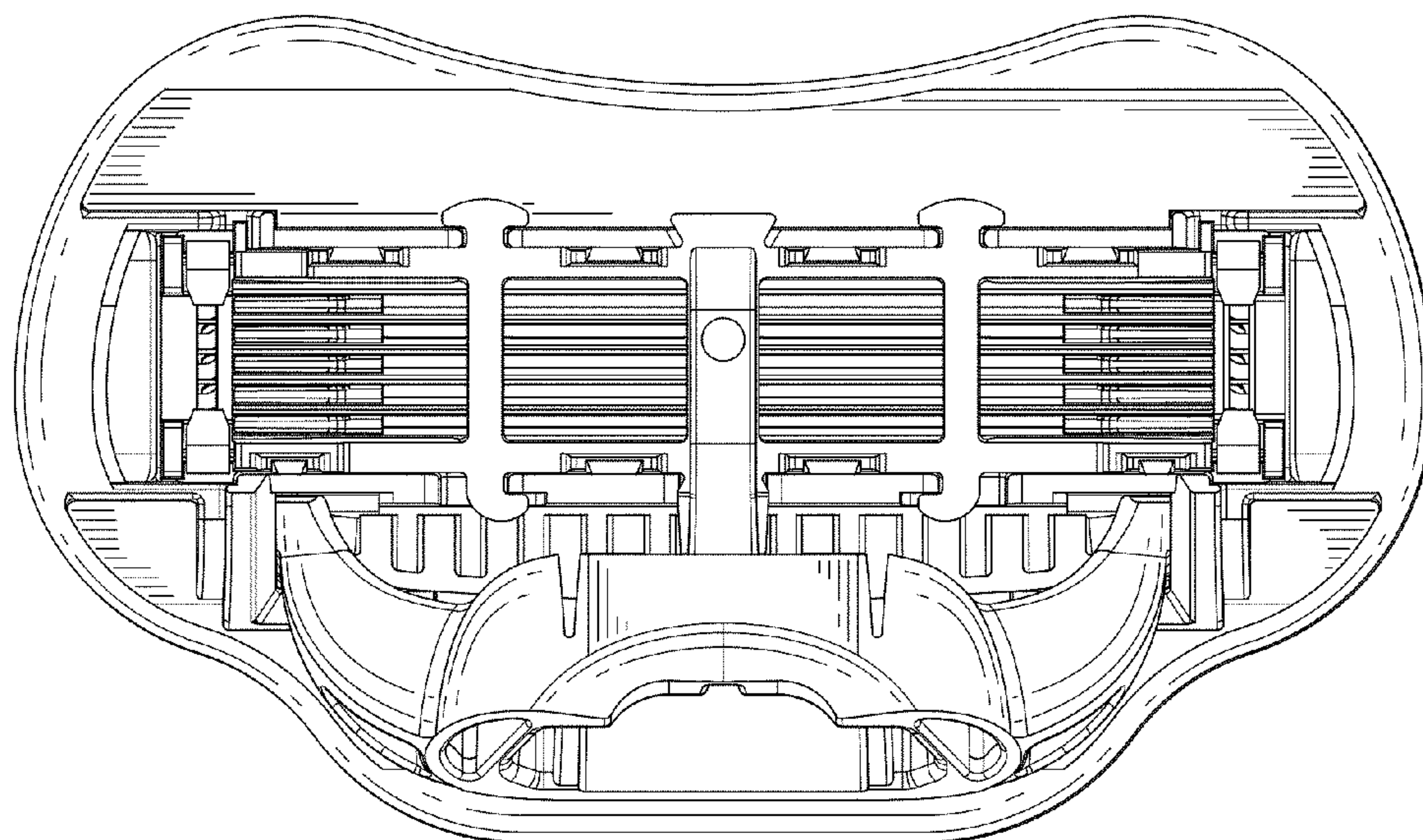


FIG. 3

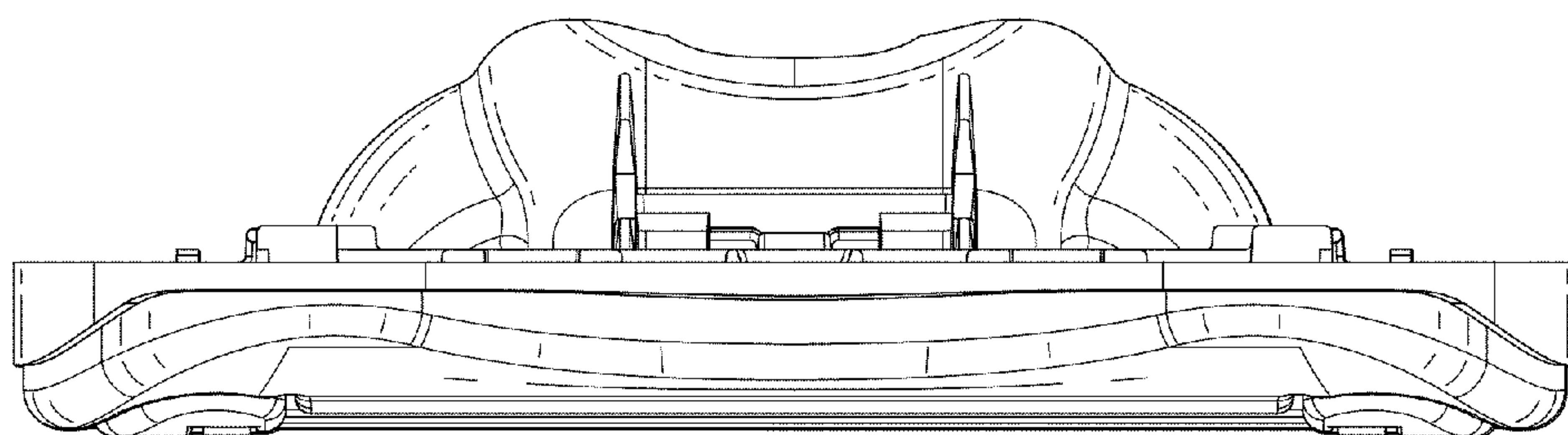


FIG. 4

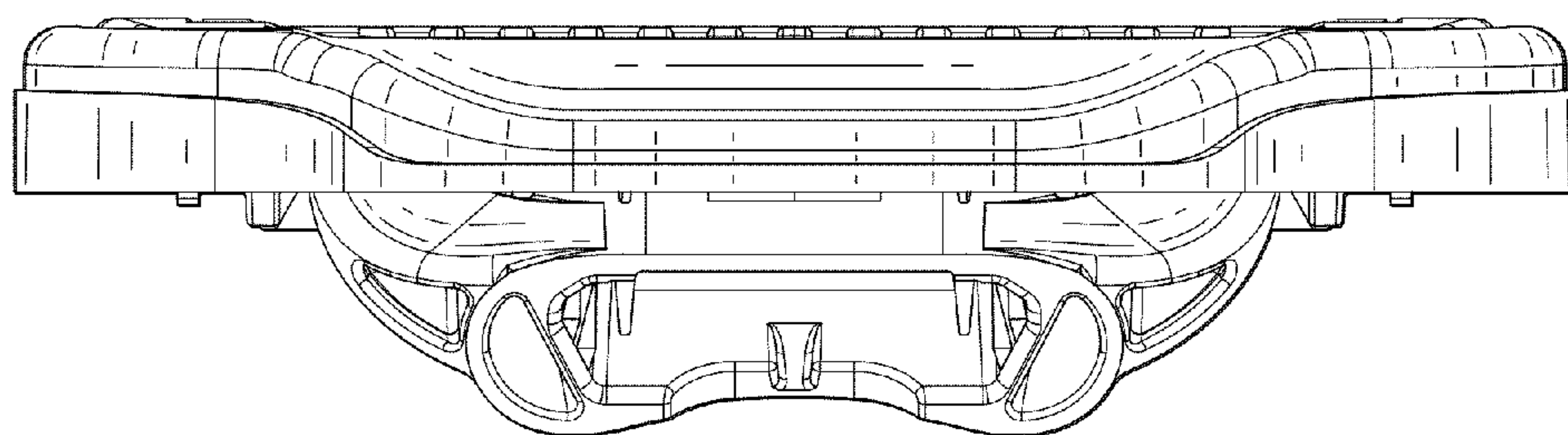


FIG. 5

FIG. 6

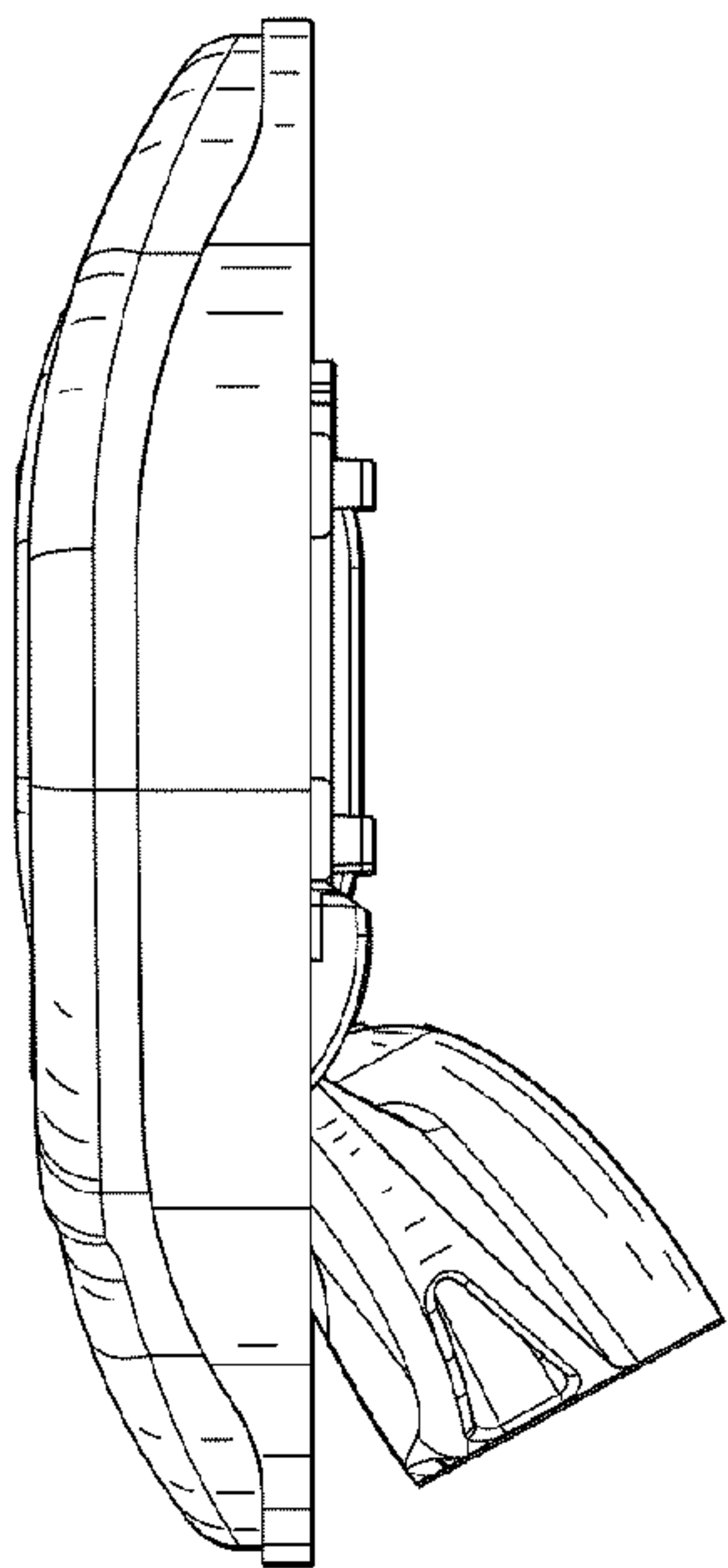


FIG. 7

