



US00D653394S

(12) **United States Design Patent**
Clemons

(10) **Patent No.:** **US D653,394 S**
(45) **Date of Patent:** **** Jan. 31, 2012**

- (54) **MOTORIZED HAIR CURLER**
- (76) Inventor: **Melissa Clemons**, Welaka, FL (US)
- (**) Term: **14 Years**
- (21) Appl. No.: **29/399,296**
- (22) Filed: **Aug. 11, 2011**
- (51) **LOC (9) Cl.** **28-03**
- (52) **U.S. Cl.** **D28/35**
- (58) **Field of Classification Search** D28/35-38;
131/223-272; 219/222, 225-226
See application file for complete search history.

6,158,073 A	12/2000	Jiovanni	
D439,051 S	3/2001	White	
D490,187 S *	5/2004	Micinilio	D28/38
D506,851 S *	6/2005	Schmitz	D28/35
7,015,420 B2	3/2006	Lok	
7,631,646 B2	12/2009	Ragosta et al.	
D621,094 S *	8/2010	Kaizuka	D28/38

* cited by examiner

Primary Examiner — Jennifer Rivard

(57) **CLAIM**
The ornamental design for a motorized hair curler, as shown and described.

DESCRIPTION

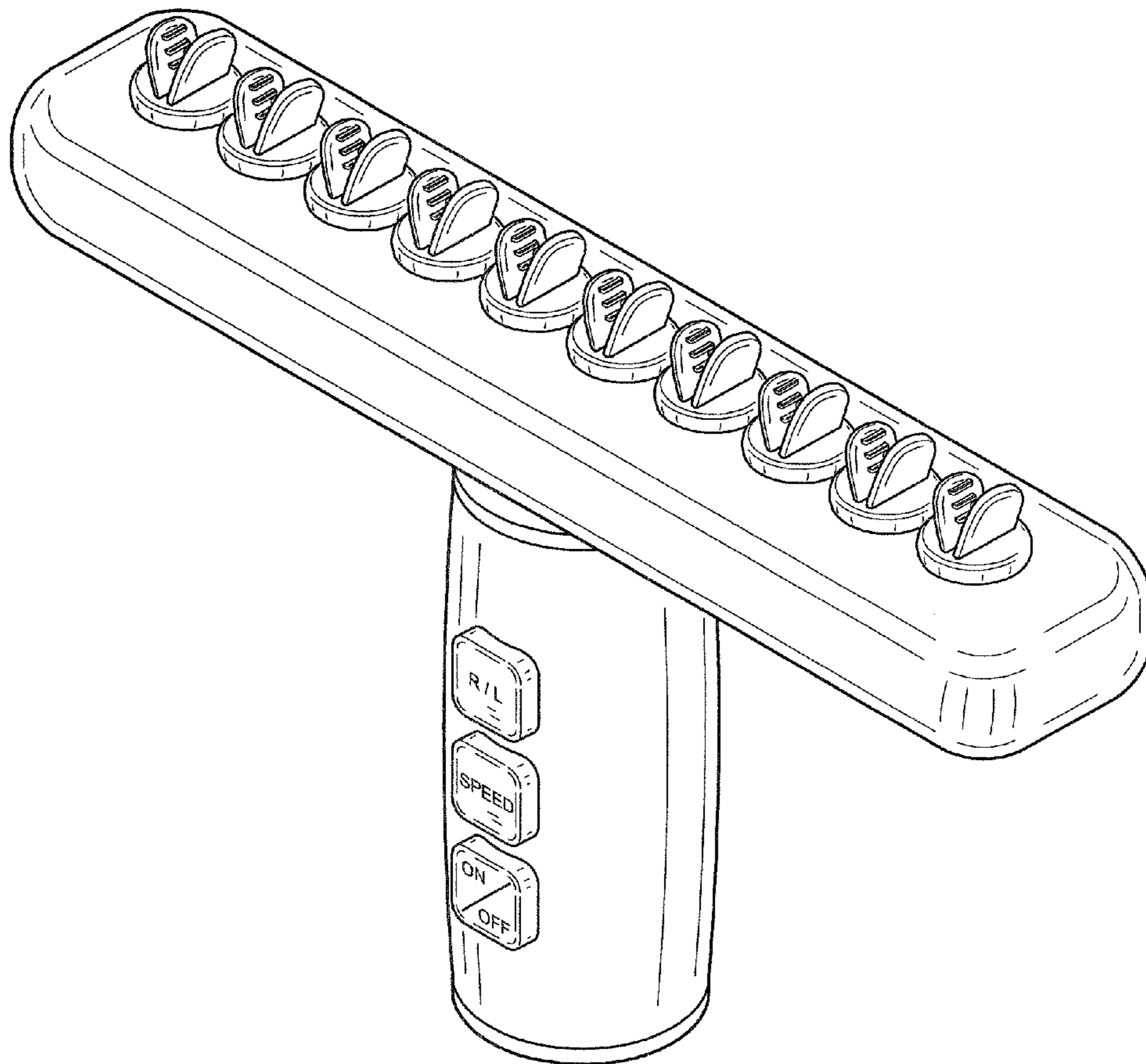
FIG. 1 is a perspective view of a motorized hair curler showing my new design;
FIG. 2 is a front view thereof;
FIG. 3 is a back view thereof;
FIG. 4 is a side view (opposite side view is mirror image) thereof;
FIG. 5 is a top view thereof; and,
FIG. 6 is a bottom view thereof.

1 Claim, 5 Drawing Sheets

(56) **References Cited**

U.S. PATENT DOCUMENTS

3,431,917 A *	3/1969	Harris	132/248
D215,906 S *	11/1969	Lennon	D28/35
4,211,914 A	7/1980	Jackson	
4,884,583 A	12/1989	Long, Jr.	
D332,155 S *	12/1992	Wistrand	D28/38
D351,045 S *	9/1994	Gebhard	D28/35
D380,864 S *	7/1997	Deakin et al.	D28/40
5,725,000 A	3/1998	Rice	
D405,229 S *	2/1999	Tobin	D28/38



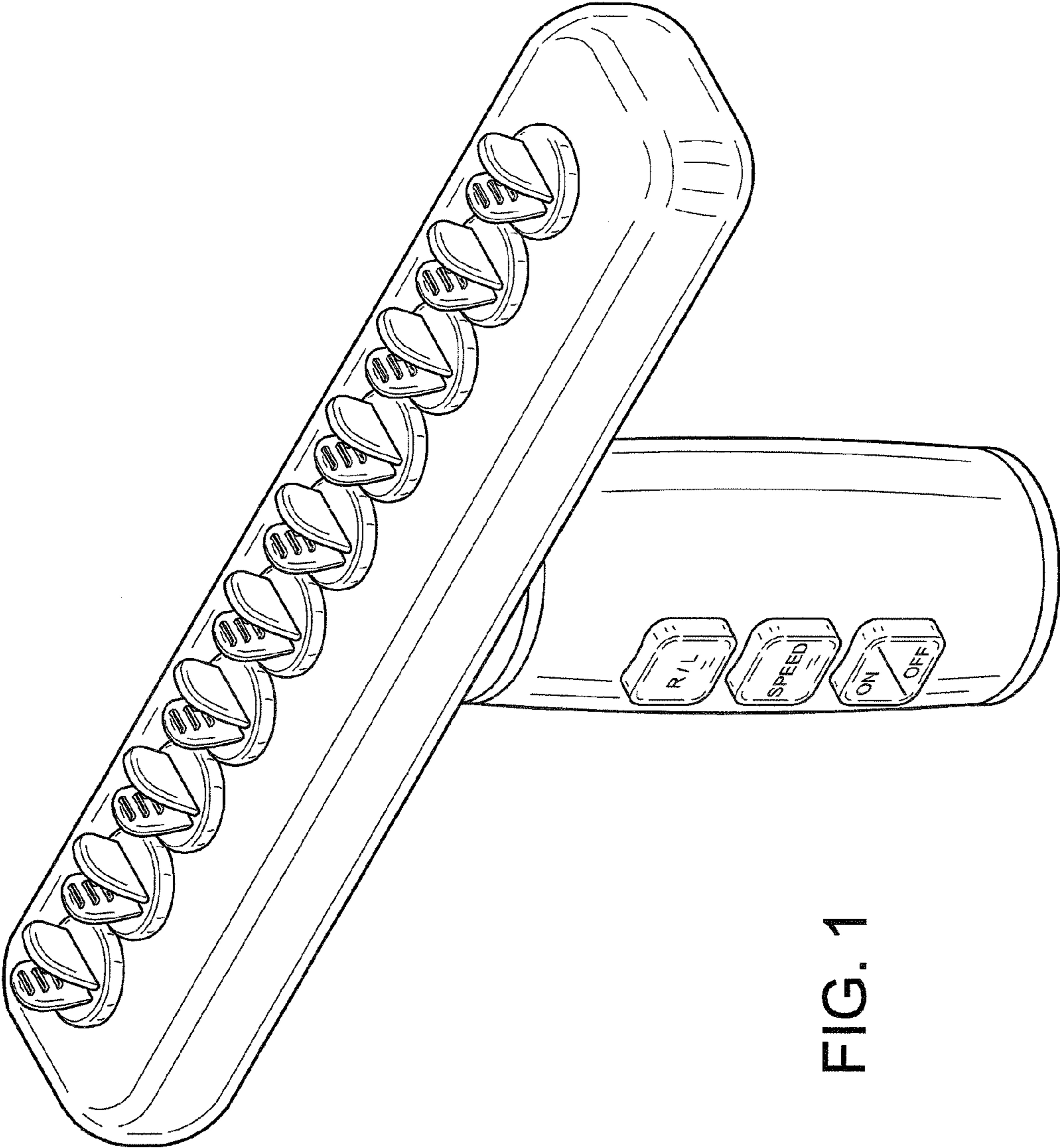


FIG. 1

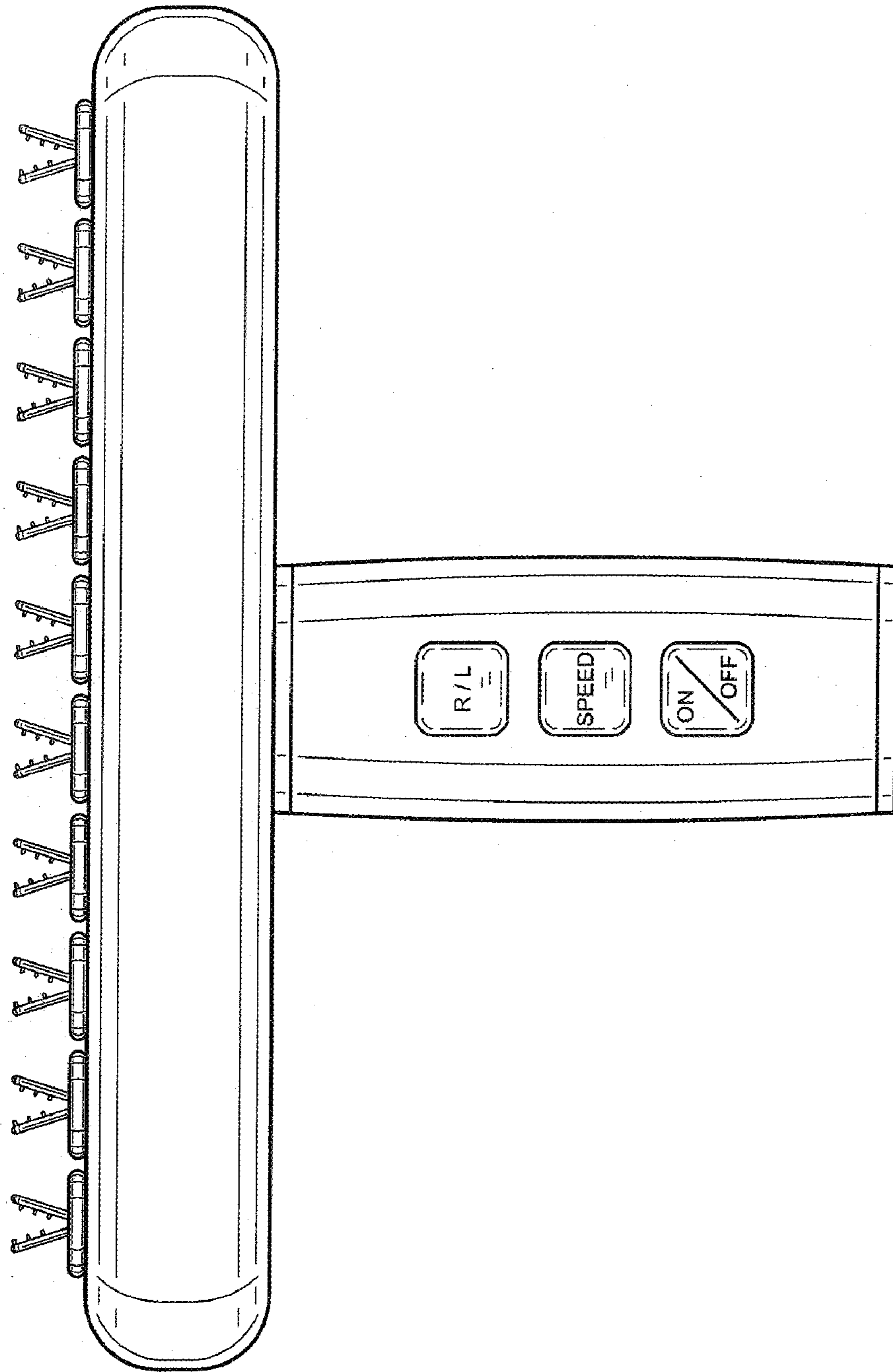


FIG. 2

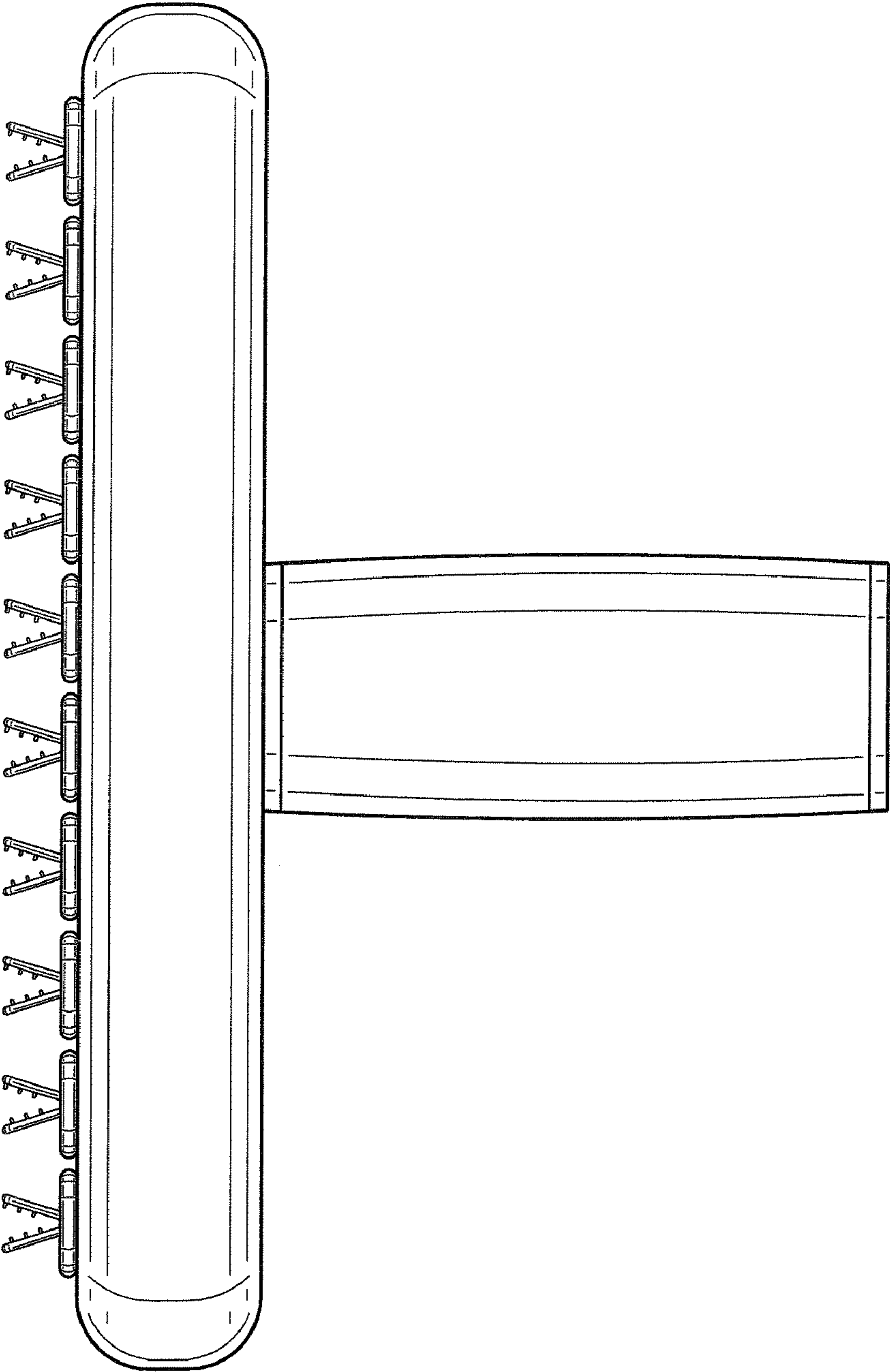


FIG. 3

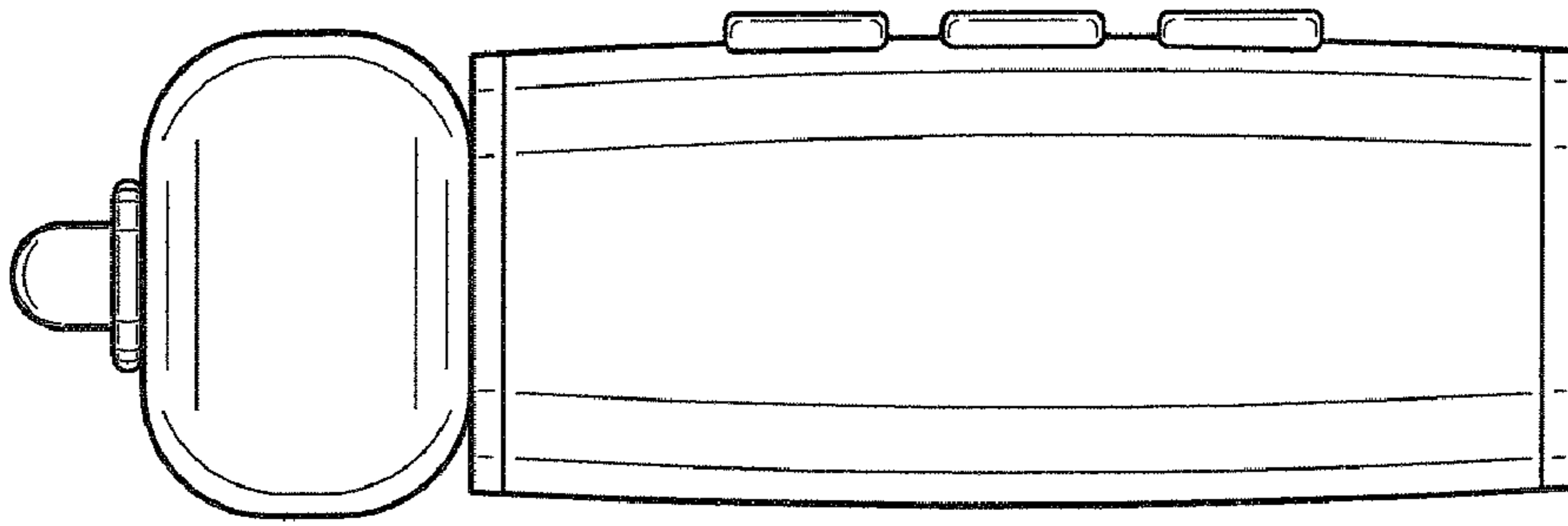


FIG. 4

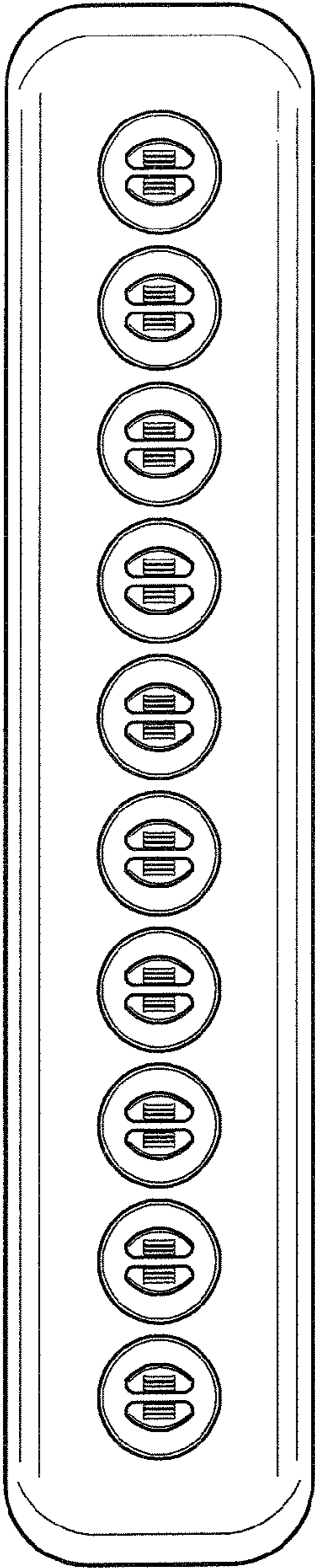


FIG. 5

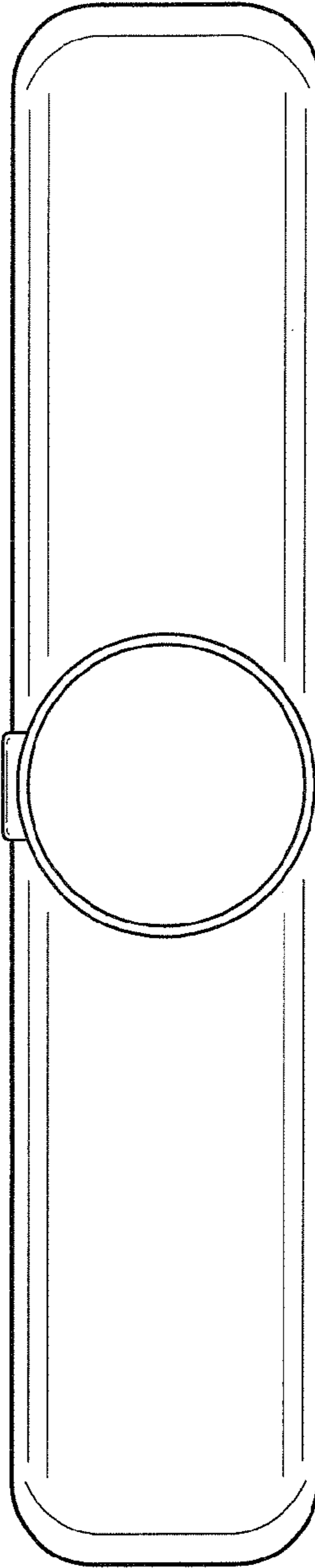


FIG. 6