



US00D653390S

(12) **United States Design Patent**
Kaljura

(10) **Patent No.:** **US D653,390 S**
(45) **Date of Patent:** **** Jan. 31, 2012**

(54) **SMOKING ARTICLE**

(75) Inventor: **Karl Kaljura**, Southampton (GB)

(73) Assignee: **British American Tobacco (Investments) Limited**, London (GB)

(**) Term: **14 Years**

(21) Appl. No.: **29/356,610**

(22) Filed: **Mar. 1, 2010**

Related U.S. Application Data

(62) Division of application No. 29/303,173, filed on Feb. 1, 2008, now Pat. No. Des. 613,902.

(30) **Foreign Application Priority Data**

Aug. 10, 2007 (EM) 000778220

(51) **LOC (9) Cl.** **27-01**

(52) **U.S. Cl.** **D27/101**

(58) **Field of Classification Search** D27/100-101;
131/88-95, 360-365

See application file for complete search history.

(56) **References Cited**

U.S. PATENT DOCUMENTS

2,584,060 A 1/1952 Stephano
D229,788 S * 1/1974 Berger D27/101
D229,789 S * 1/1974 Berger D27/101
D229,790 S 1/1974 Berger

4,552,158 A * 11/1985 Berger 131/94
4,995,407 A 2/1991 Kosiakoff et al.
5,044,381 A 9/1991 Thomas
D453,854 S * 2/2002 Verhoeven-Koster D27/101
2008/0029106 A1 2/2008 Mishra et al.
2008/0115794 A1 5/2008 Oglesby
2008/0156336 A1 * 7/2008 Wyss-Peters et al. 131/88
2008/0173320 A1 7/2008 Dunlap et al.
2008/0202542 A1 8/2008 Hampl et al.

FOREIGN PATENT DOCUMENTS

JP 02-46585 2/1990

* cited by examiner

Primary Examiner — Jennifer Rivard

(74) *Attorney, Agent, or Firm* — Chadbourne & Parke LLP;
Walter G. Hanchuk

(57) **CLAIM**

The ornamental design for a smoking article, as shown and described.

DESCRIPTION

FIG. 1 is a left end, perspective view of of the smoking article showing the design of the disclosed invention;

FIG. 2 is a plan view thereof, the opposite plan view being a mirror image;

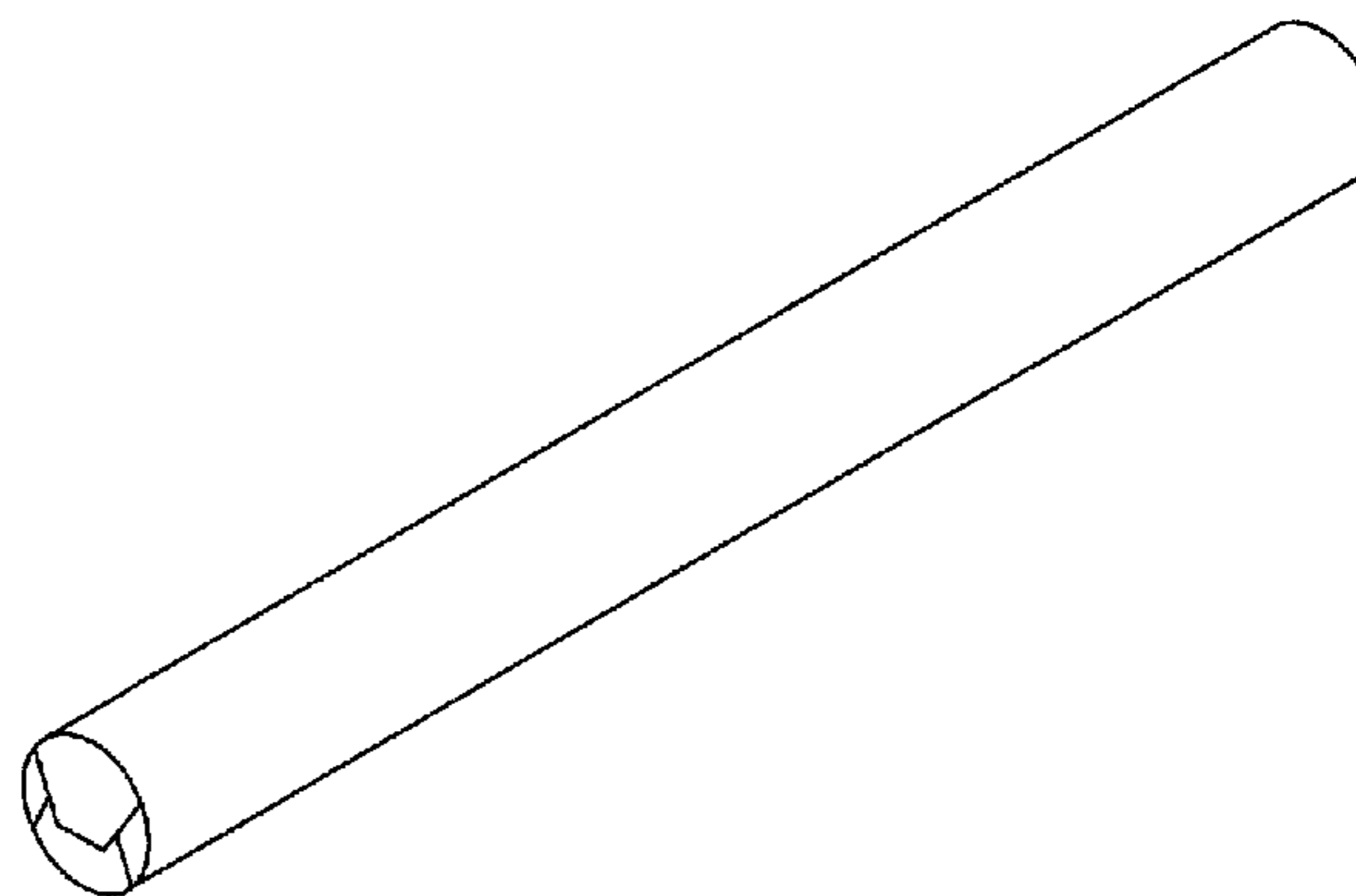
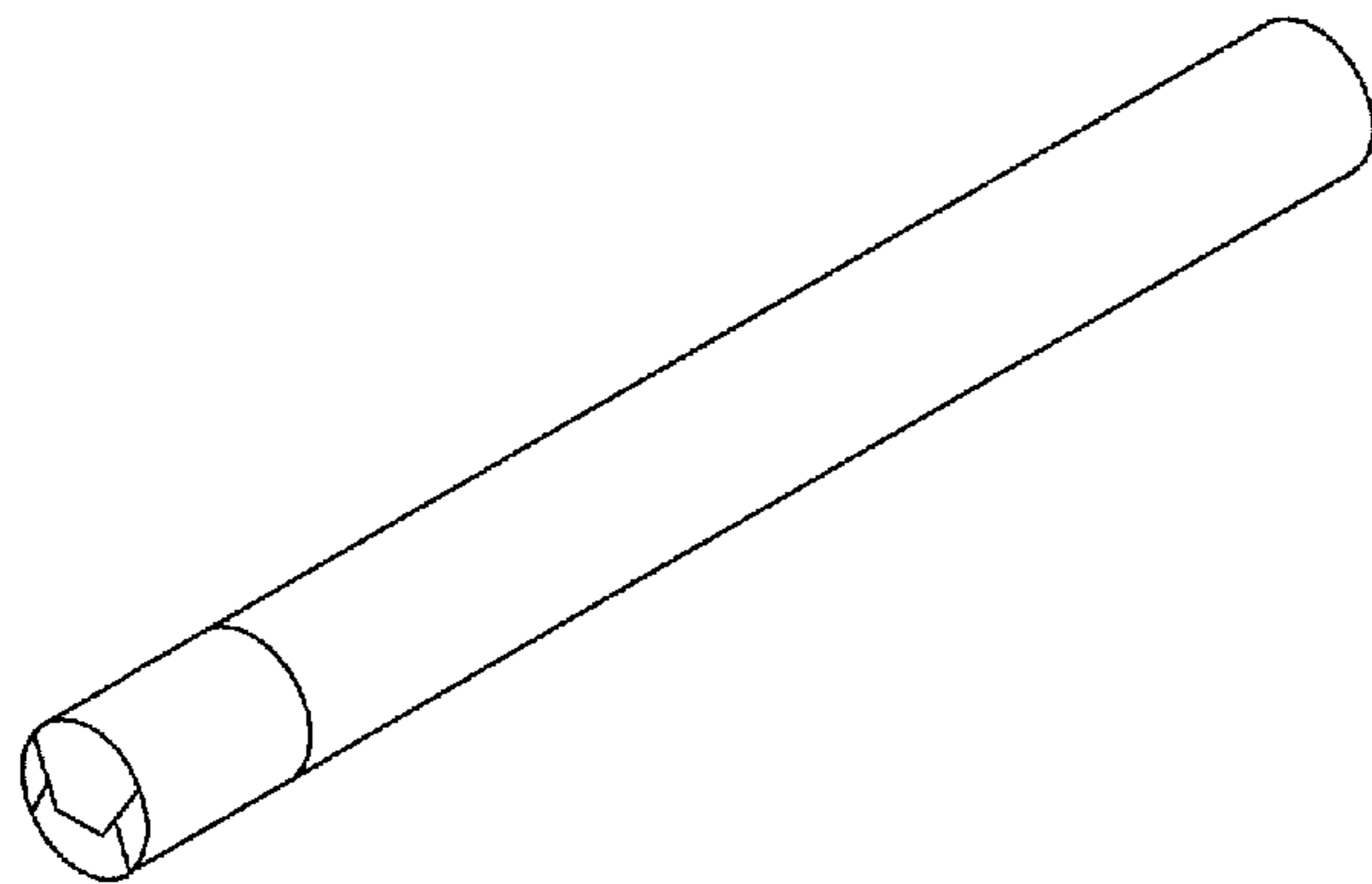
FIG. 3 is a left end view thereof;

FIG. 4 is a left end, perspective view of a second embodiment of the smoking article;

FIG. 5 is a plan view of the second embodiment thereof, the opposite plan view being a mirror image; and,

FIG. 6 is a left end view of the second embodiment thereof.

1 Claim, 4 Drawing Sheets



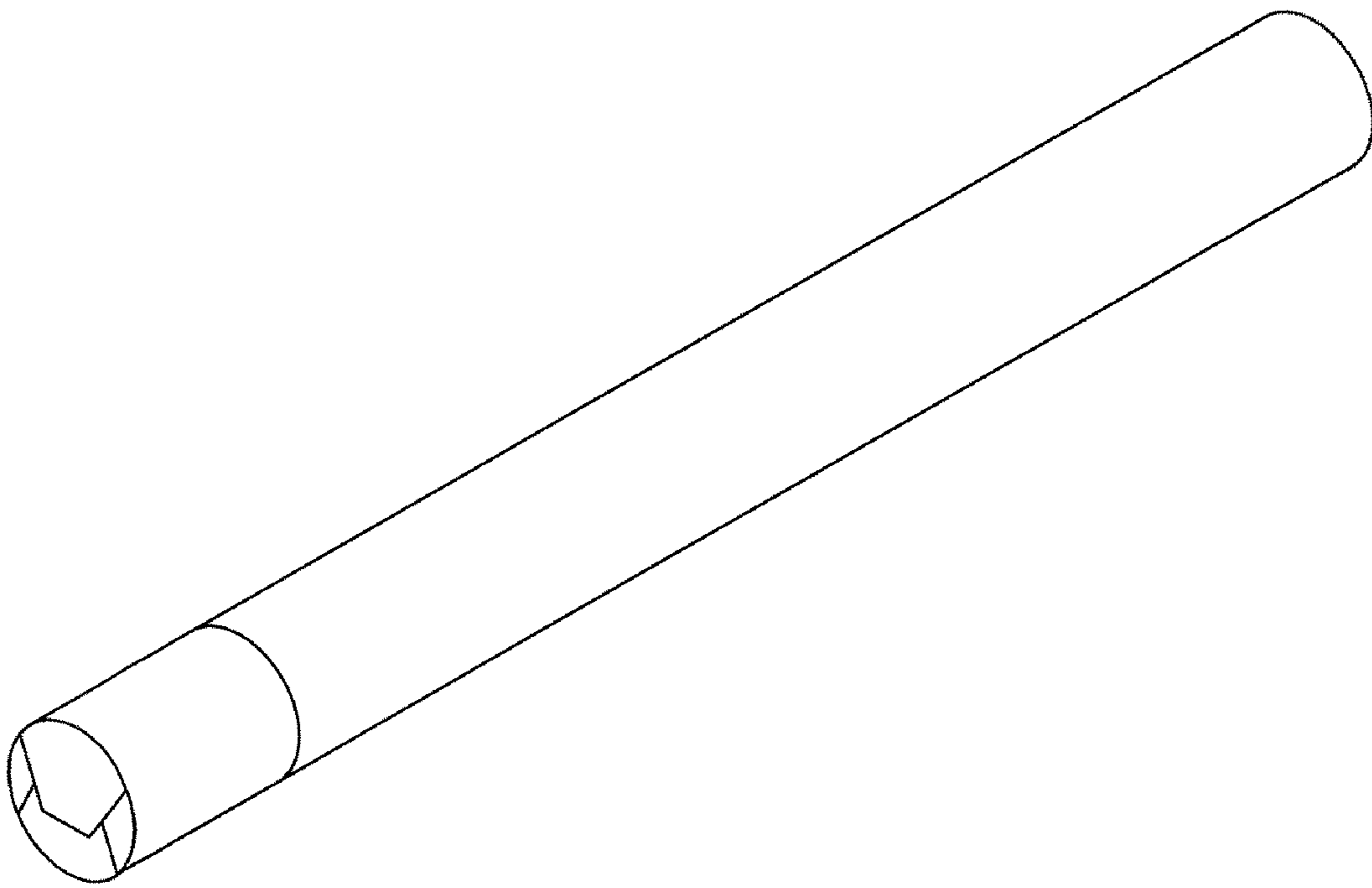


FIGURE 1



FIGURE 2

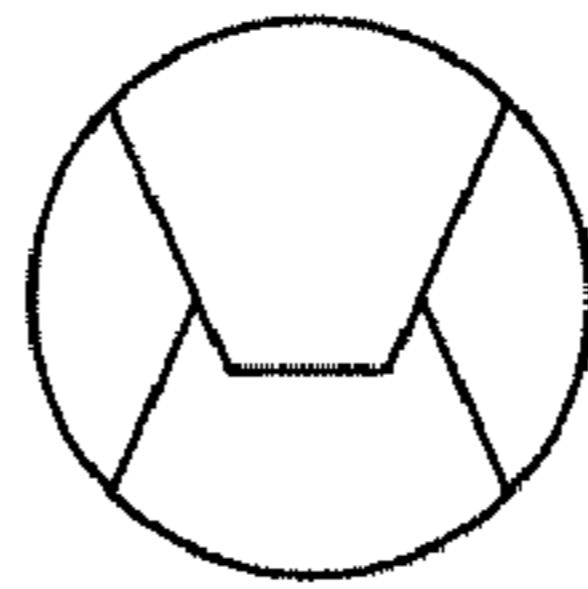


FIGURE 3

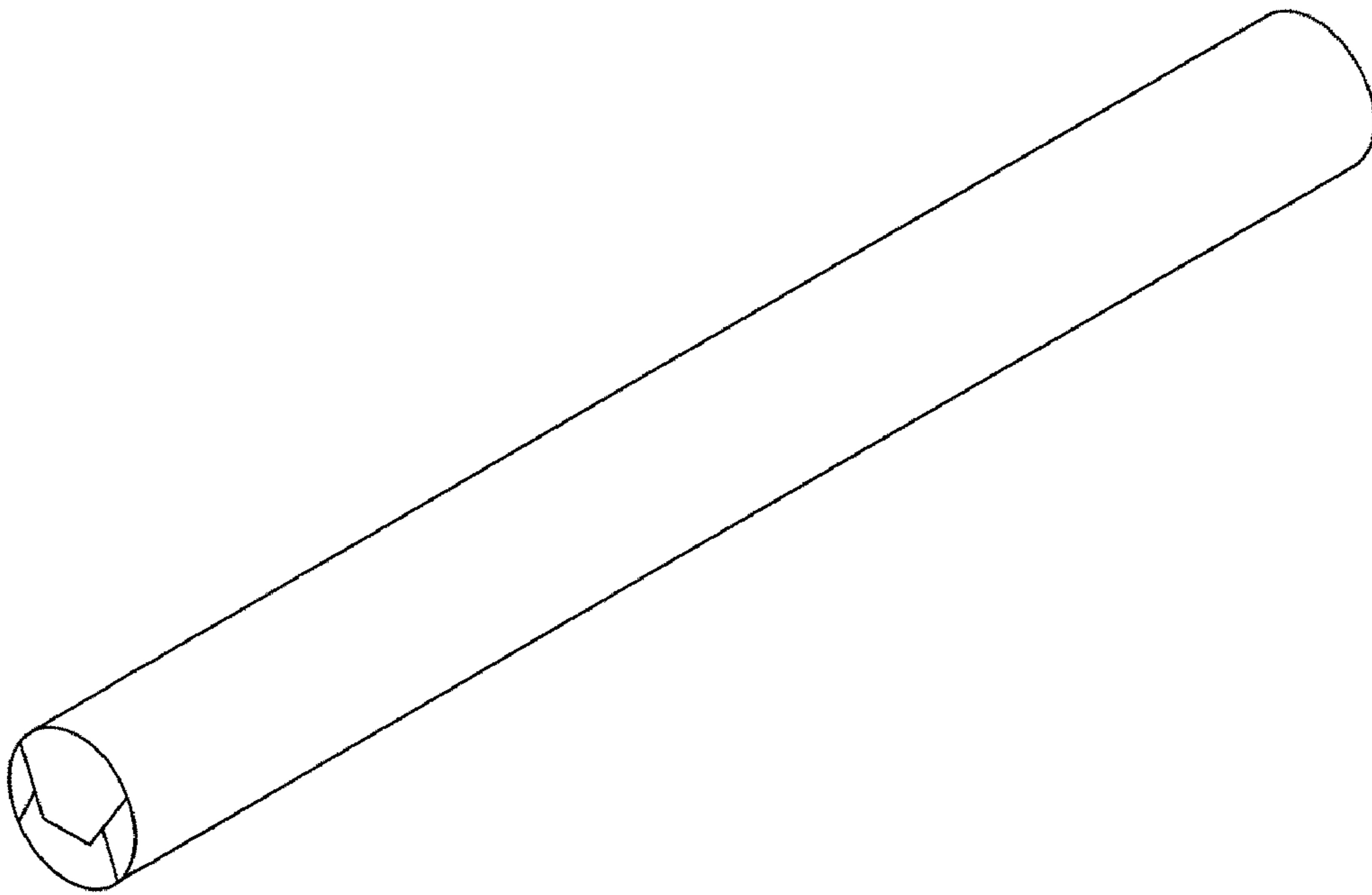


FIGURE 4



FIGURE 5

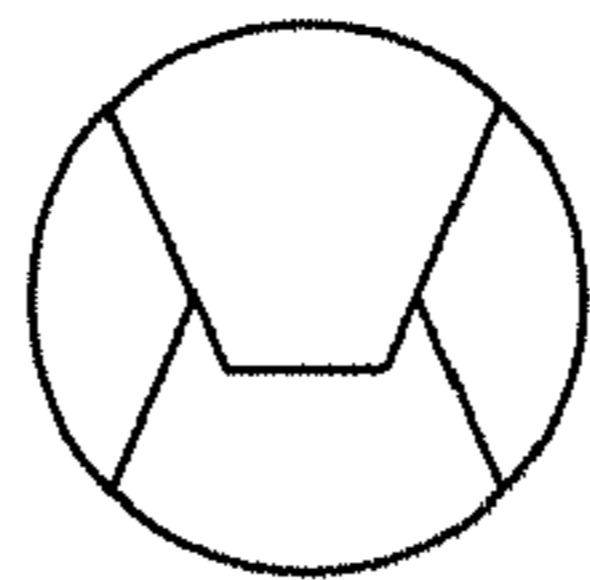


FIGURE 6

UNITED STATES PATENT AND TRADEMARK OFFICE
CERTIFICATE OF CORRECTION

PATENT NO. : D653,390 S
APPLICATION NO. : 29/356610
DATED : January 31, 2012
INVENTOR(S) : Karl Kaljura

Page 1 of 1

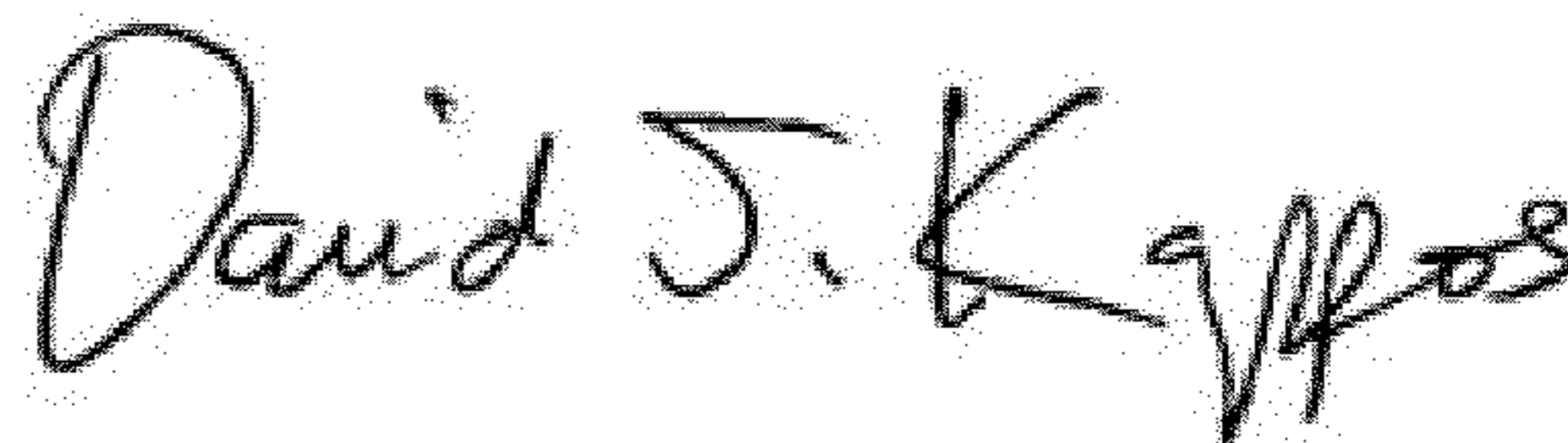
It is certified that error appears in the above-identified patent and that said Letters Patent is hereby corrected as shown below:

On the cover page

DESCRIPTION, lines 1-2 should read

--Fig. 1 is a left end, perspective view of the smoking article showing the design of the disclosed invention;--

Signed and Sealed this
Twenty-ninth Day of May, 2012

A handwritten signature in black ink that reads "David J. Kappos". The signature is written in a cursive, slightly slanted style.

David J. Kappos
Director of the United States Patent and Trademark Office