

US00D653389S

(12) **United States Design Patent**
Xu et al.

(10) **Patent No.:** **US D653,389 S**
(45) **Date of Patent:** **** Jan. 31, 2012**

(54) **VEHICLE FOG LIGHT BEZEL**

D571,500 S * 6/2008 Lin D26/139
D595,895 S * 7/2009 Lamm D26/139
D604,893 S * 11/2009 Woolley et al. D26/139

(75) Inventors: **Xiaodi Xu**, Shenzhen (CN); **Xianzhang Ren**, Shenzhen (CN)

* cited by examiner

(73) Assignee: **BYD Company Limited**, Shenzhen (CN)

Primary Examiner — Marcus Jackson

(74) *Attorney, Agent, or Firm* — Squire, Sanders & Dempsey (US) LLP

(**) Term: **14 Years**

(21) Appl. No.: **29/394,568**

(57) **CLAIM**

The ornamental design for a vehicle fog light bezel, substantially as shown and described.

(22) Filed: **Jun. 17, 2011**

(30) **Foreign Application Priority Data**

DESCRIPTION

Dec. 20, 2010 (CN) 2010 3 0694746

(51) **LOC (9) Cl.** **26-99**

(52) **U.S. Cl.** **D26/139**

(58) **Field of Classification Search** D26/28-36,
D26/139; 362/61, 80-83, 329-340, 457-478,
362/485-487

See application file for complete search history.

FIG. 1 is a front view of a vehicle fog light bezel in accordance with the present design;

FIG. 2 is a rear view of the vehicle fog light bezel;

FIG. 3 is a left side view of the vehicle fog light bezel;

FIG. 4 is a right side view of the vehicle fog light bezel;

FIG. 5 is a top view of the vehicle fog light bezel;

FIG. 6 is an upward view of the vehicle fog light bezel;

FIG. 7 is a first isometric view of the vehicle fog light bezel; and,

FIG. 8 is a second isometric view of the vehicle fog light bezel.

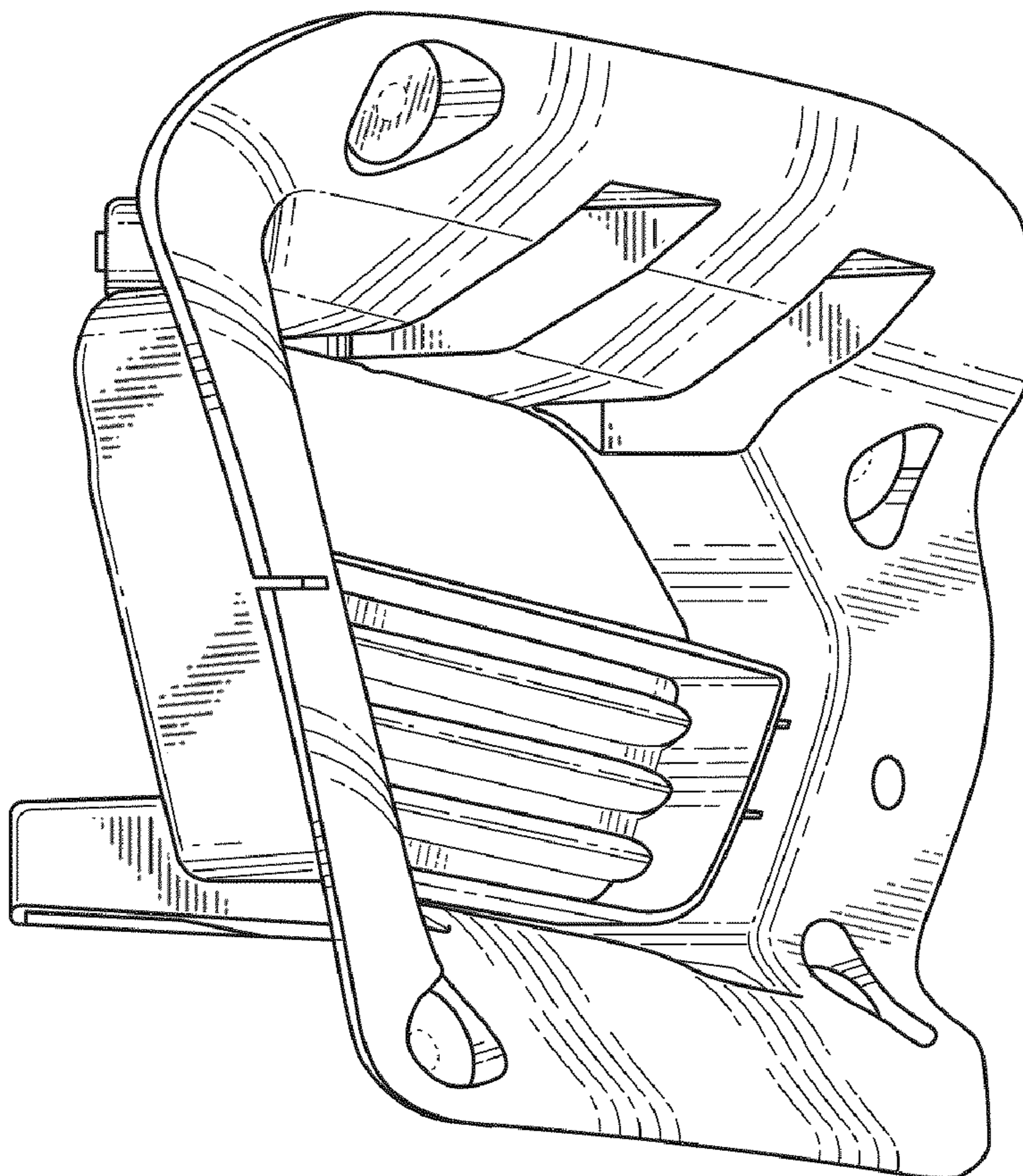
(56) **References Cited**

U.S. PATENT DOCUMENTS

D302,335 S * 7/1989 Smith et al. D26/139

D421,817 S * 3/2000 Tucker et al. D26/139

1 Claim, 7 Drawing Sheets



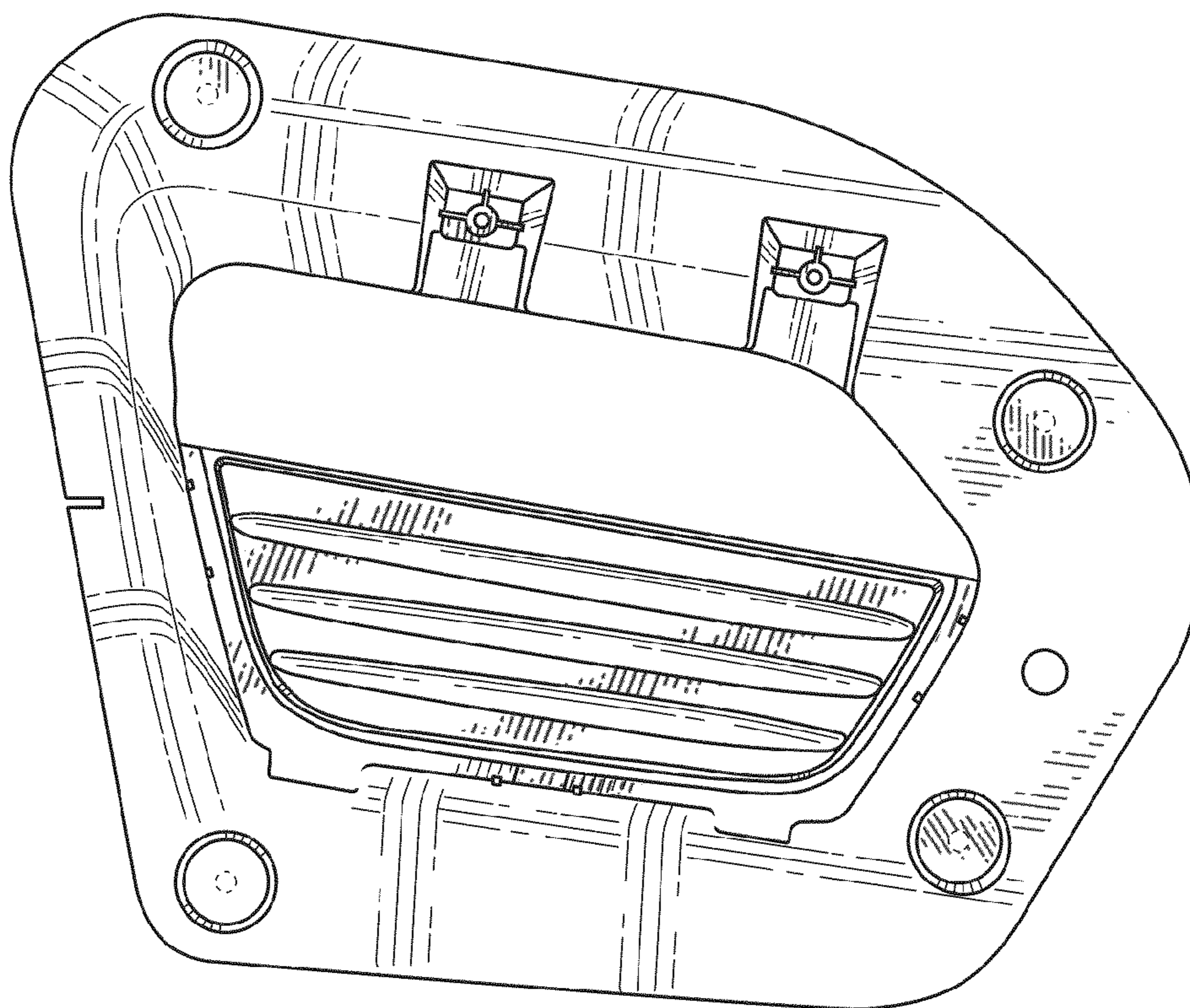


FIG. 1

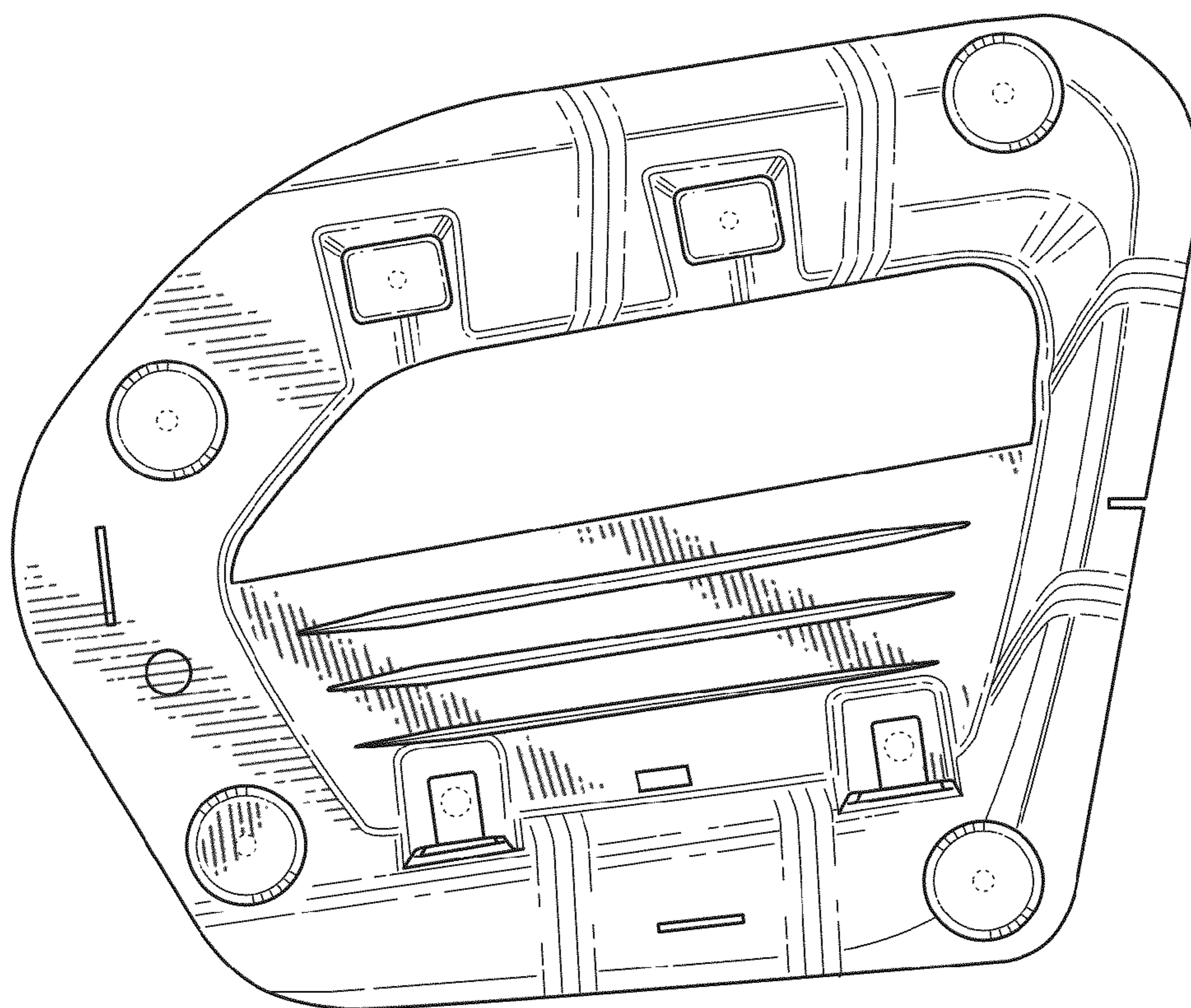


FIG. 2

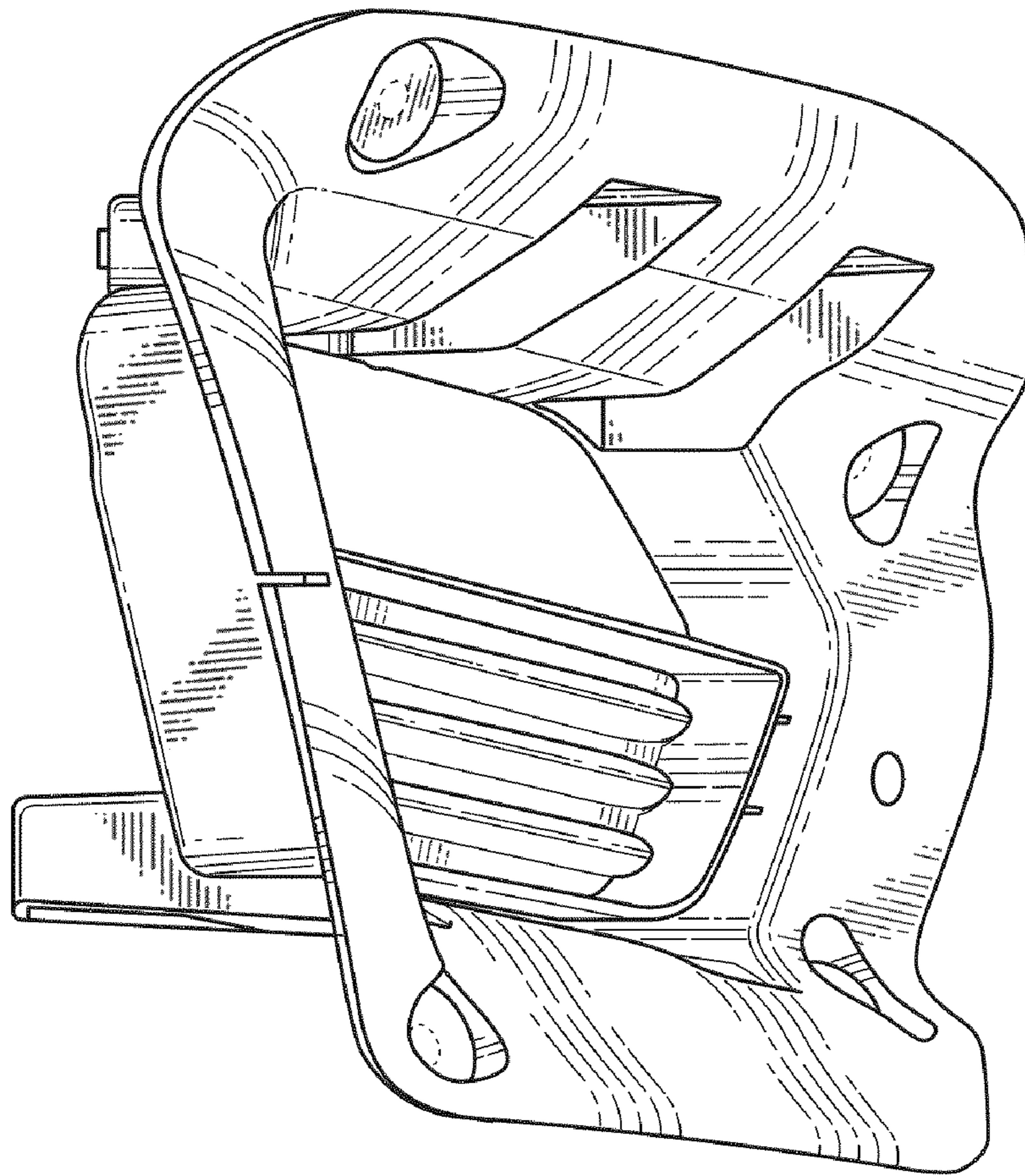


FIG. 3

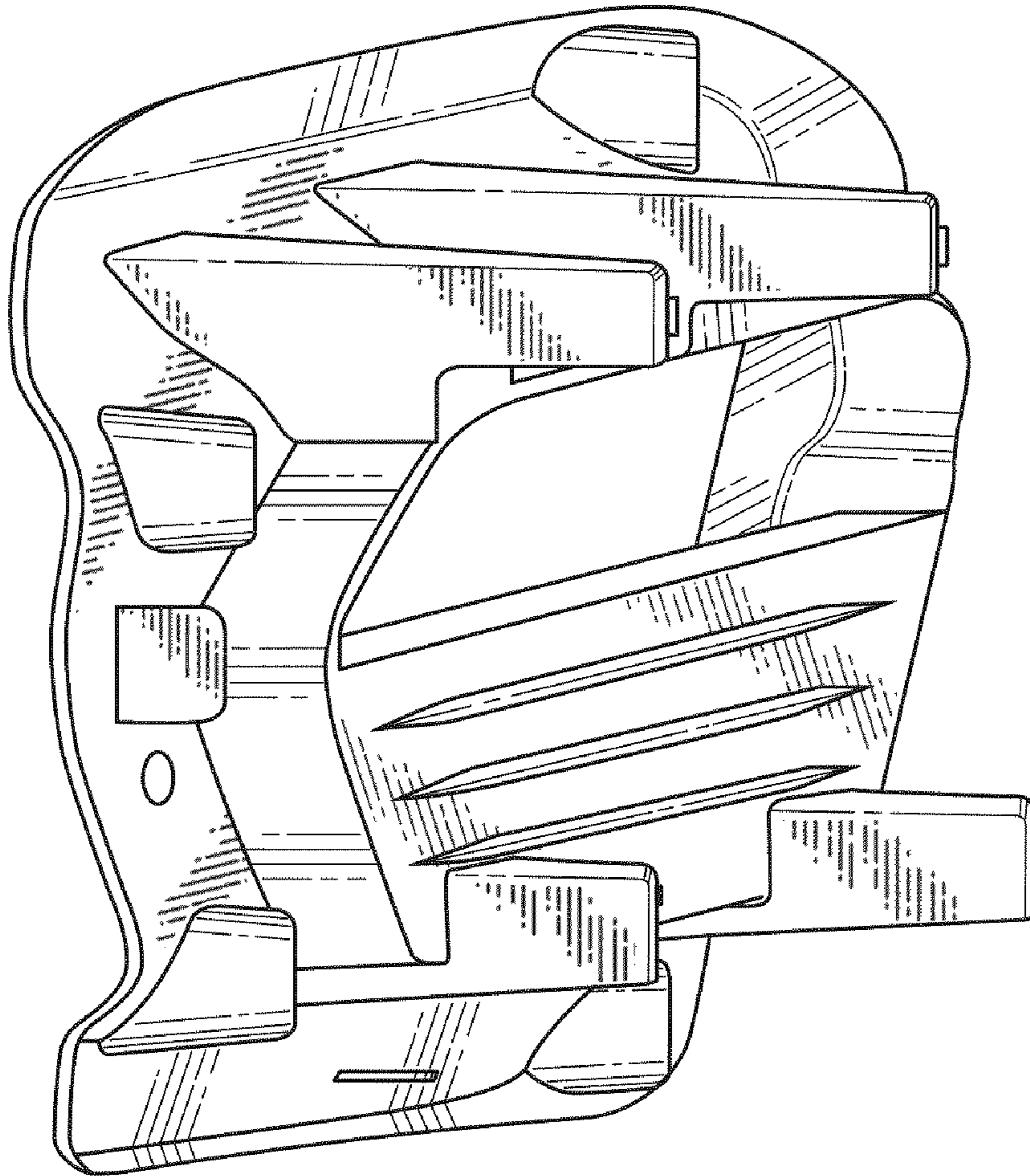


FIG. 4

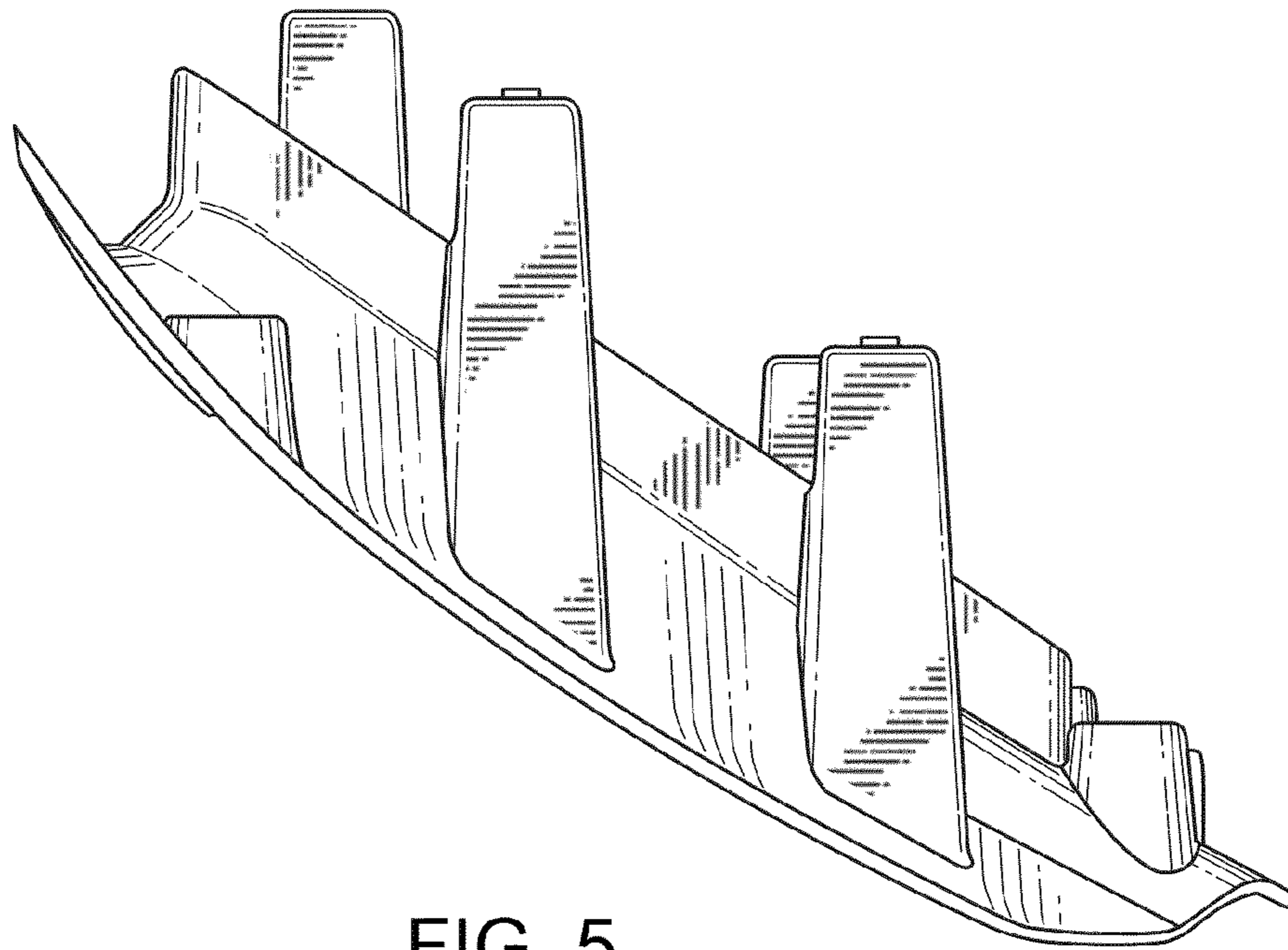


FIG. 5

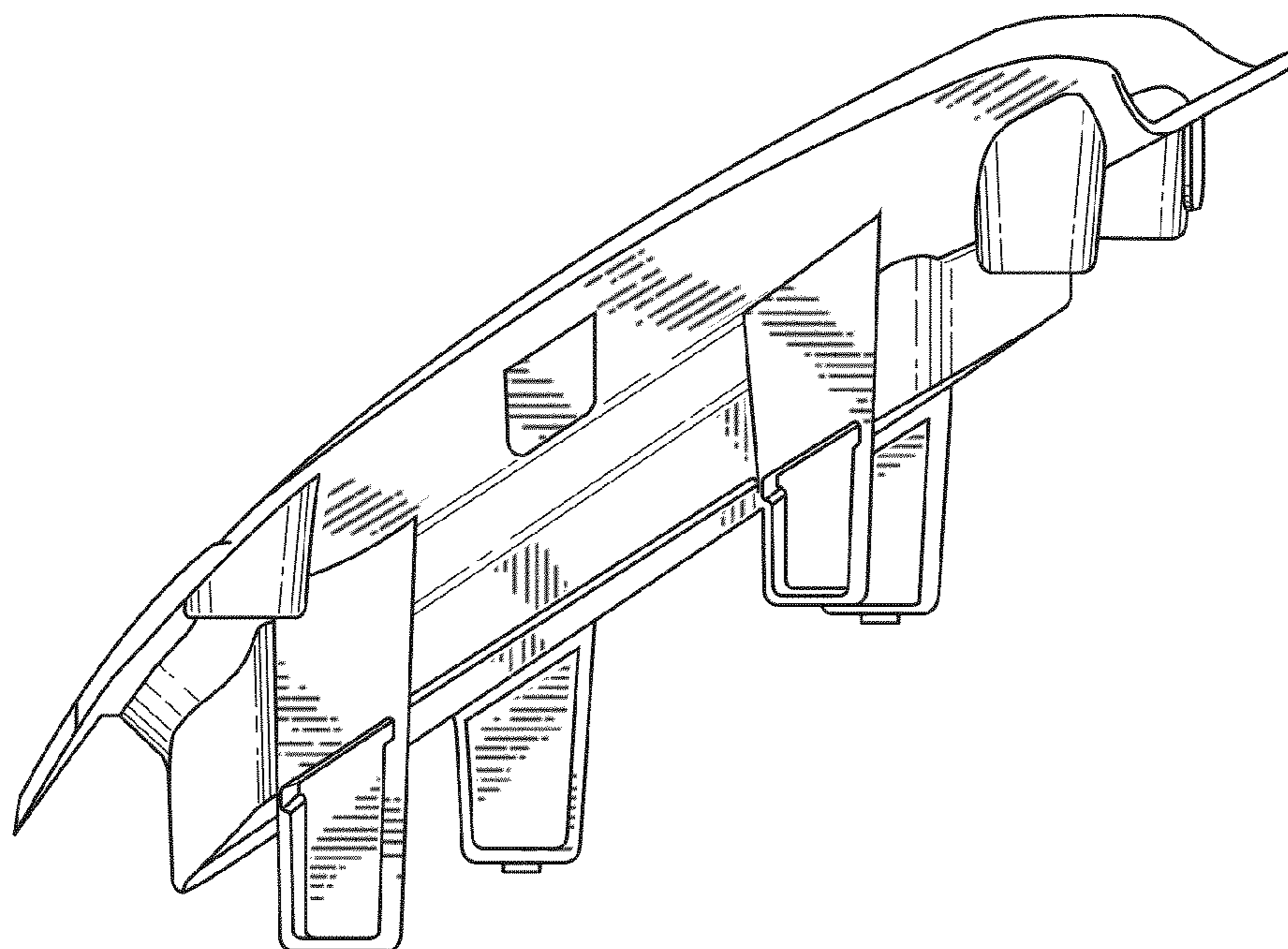


FIG. 6

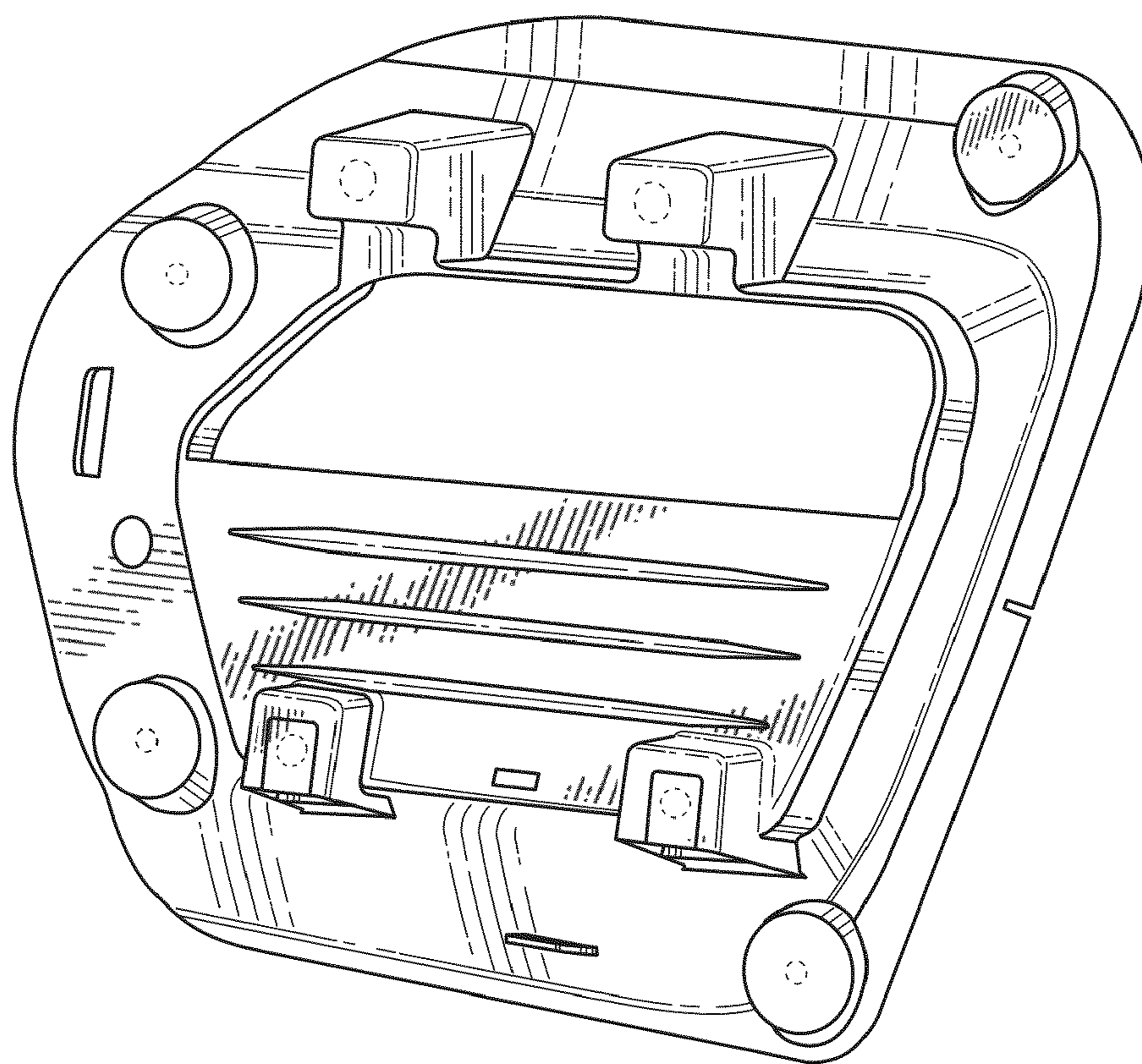


FIG. 7

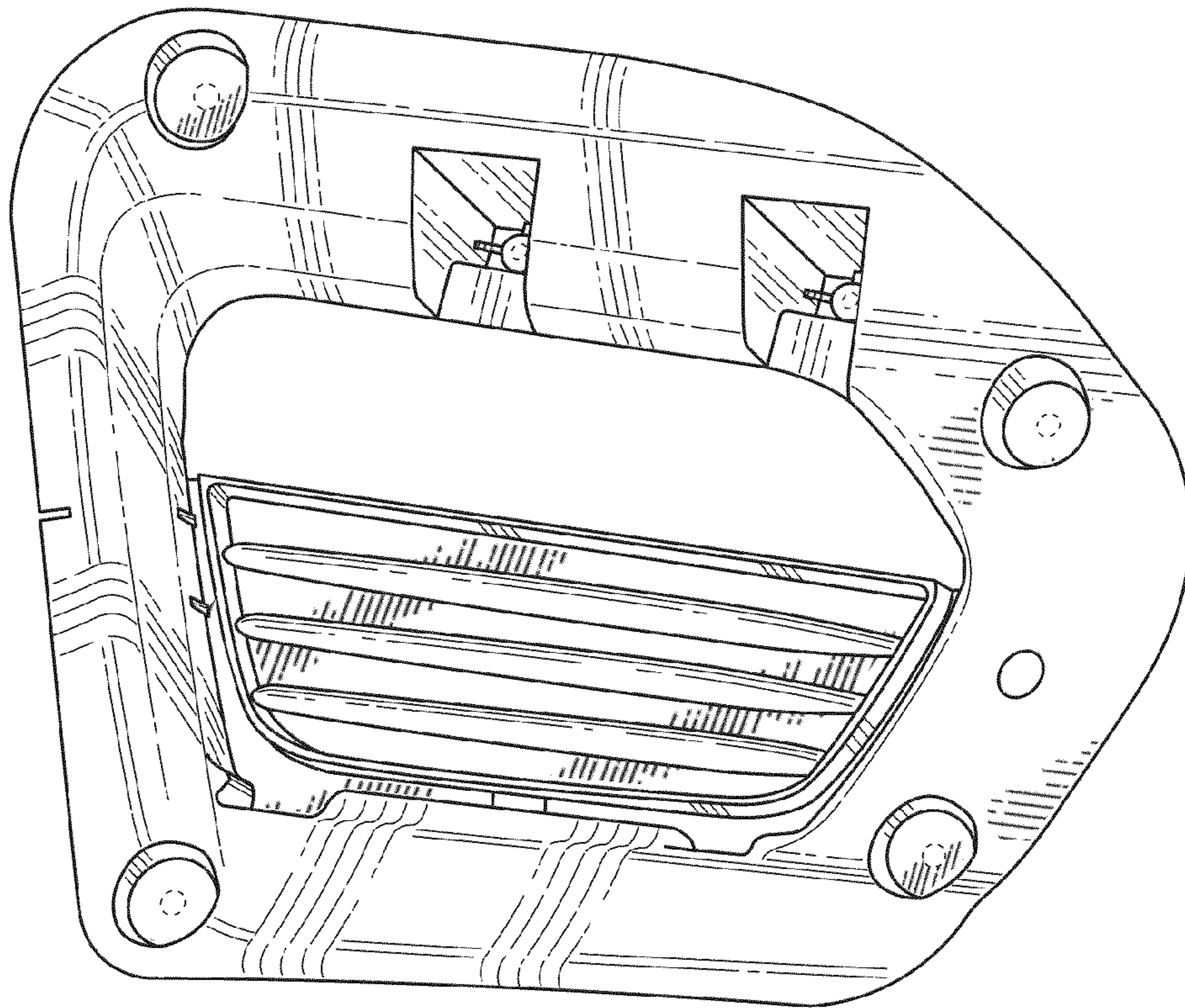


FIG. 8