



US00D653384S

(12) **United States Design Patent**
Parker et al.

(10) **Patent No.:** **US D653,384 S**

(45) **Date of Patent:** **** Jan. 31, 2012**

(54) **LIGHT CONDUCTIVE LIGHT EMITTER FOR LIGHT EMITTING DIODE LIGHT SOURCE**

(75) Inventors: **Jeffery R. Parker**, Richfield, OH (US);
Timothy M. Parker, Naples, FL (US)

(73) Assignee: **Rambus International Ltd.** (KY)

(**) Term: **14 Years**

(21) Appl. No.: **29/382,961**

(22) Filed: **Jan. 10, 2011**

(51) **LOC (9) Cl.** **26-99**

(52) **U.S. Cl.** **D26/118**

(58) **Field of Classification Search** D26/122,
D26/138, 118, 120, 76, 80, 63, 62, 68, 121,
D26/155, 152, 2, 24, 25, 26, 28, 46, 47, 49,
D26/60, 67, 71, 72, 73, 78, 79, 81, 83, 88,
D26/85, 93, 101, 102, 103, 104, 105, 110,
D26/113, 119, 123, 124, 128, 127, 129, 130,
D26/135, 137, 154, 59, 90, 140, 142, 145;
362/362, 363, 326, 329, 330, 342, 351, 356,
362/357, 296, 297, 299, 300, 301, 302, 317,
362/325, 377, 121, 147, 148, 151, 171, 186,
362/218, 219, 648, 650, 257, 279, 280, 290,
362/292, 293; D13/179, 180

See application file for complete search history.

(56) **References Cited**

U.S. PATENT DOCUMENTS

1,480,904	A *	1/1924	Halvorson, Jr.	362/305
D75,337	S *	5/1928	Beardsley	D26/108
D77,765	S *	2/1929	Guth	D26/81
D77,794	S *	2/1929	Terrell	D26/130
D81,234	S *	5/1930	Gunnison	D26/86
D81,470	S *	6/1930	Owen	D26/90
1,791,718	A *	2/1931	McDougall et al.	362/291
1,876,667	A *	9/1932	Gunnison	362/303
2,087,750	A *	7/1937	Bookman, Jr.	362/354

2,100,078	A *	11/1937	Henningsen	362/354
D108,644	S *	3/1938	Holmes	D26/121
D110,639	S *	7/1938	Guth	D26/86
D111,214	S *	9/1938	Petzold	D26/121
2,142,395	A *	1/1939	Herron	362/291
D124,018	S *	12/1940	Davis	D26/86
D145,583	S *	9/1946	Lolli	D26/103
2,435,715	A *	2/1948	Headings	362/216
D150,357	S *	7/1948	Herbster	D23/390
D162,173	S *	2/1951	Julien et al.	D26/86
D163,119	S *	5/1951	Julien et al.	D26/86
2,567,336	A *	9/1951	Hendricks	362/291
D170,841	S *	11/1953	Vigon	D26/102
2,899,543	A *	8/1959	Rasmussen	362/354
3,600,572	A *	8/1971	Grunwald	362/358

(Continued)

Primary Examiner — Kevin Rudzinski

(74) *Attorney, Agent, or Firm* — Renner, Otto, Boisselle & Sklar, LLP

(57) **CLAIM**

The ornamental design for a light conductive light emitter for a light emitting diode light source, as shown and described.

DESCRIPTION

FIG. 1 is a perspective view of a light conductive light emitter for a light emitting diode light source showing our new design.

FIG. 2 is a front view thereof, the back being a mirror image.

FIG. 3 is a side view of one side thereof, the opposite side being a mirror image.

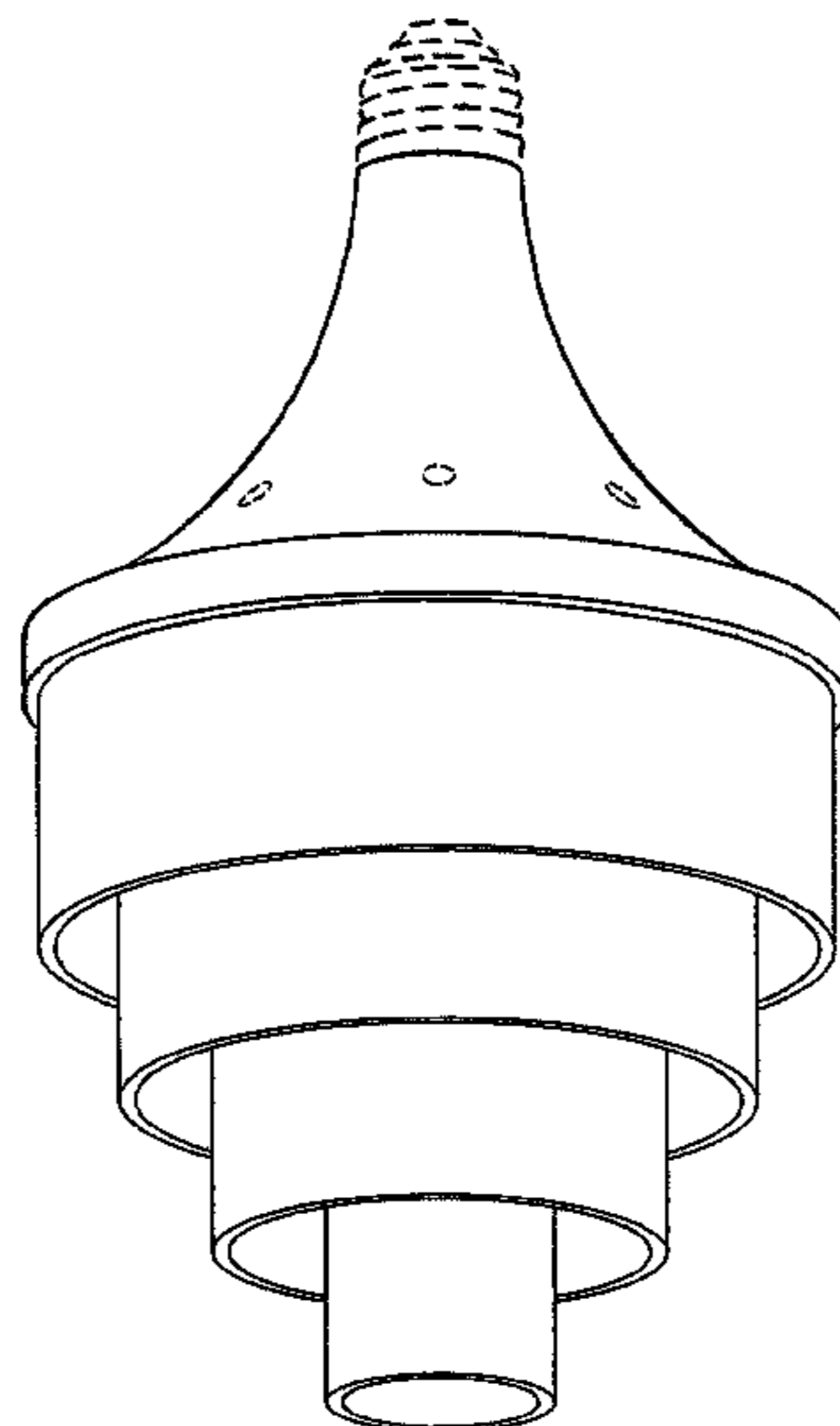
FIG. 4 is a bottom view thereof; and,

FIG. 5 is a top view thereof.

The top is plain and devoid of surface ornamentation and therefore is not illustrated.

The broken lines in FIGS. 1-3 and 5 are directed to environment structure of unclaimed portions of the light conductive light emitter and form no part of the claimed design.

1 Claim, 2 Drawing Sheets



US D653,384 S

Page 2

U.S. PATENT DOCUMENTS

D271,241 S *	11/1983	Vrignaud	D26/85	D469,562 S *	1/2003	Crasset	D26/90
D328,955 S *	8/1992	Sheradsky	D26/88	D584,849 S *	1/2009	Otero	D26/88
D339,651 S *	9/1993	Vieyra	D26/84	D624,690 S *	9/2010	Thompson et al.	D26/71
D346,239 S *	4/1994	Vamberszky et al.	D26/118	2005/0068777 A1 *	3/2005	Popovic	362/307

* cited by examiner

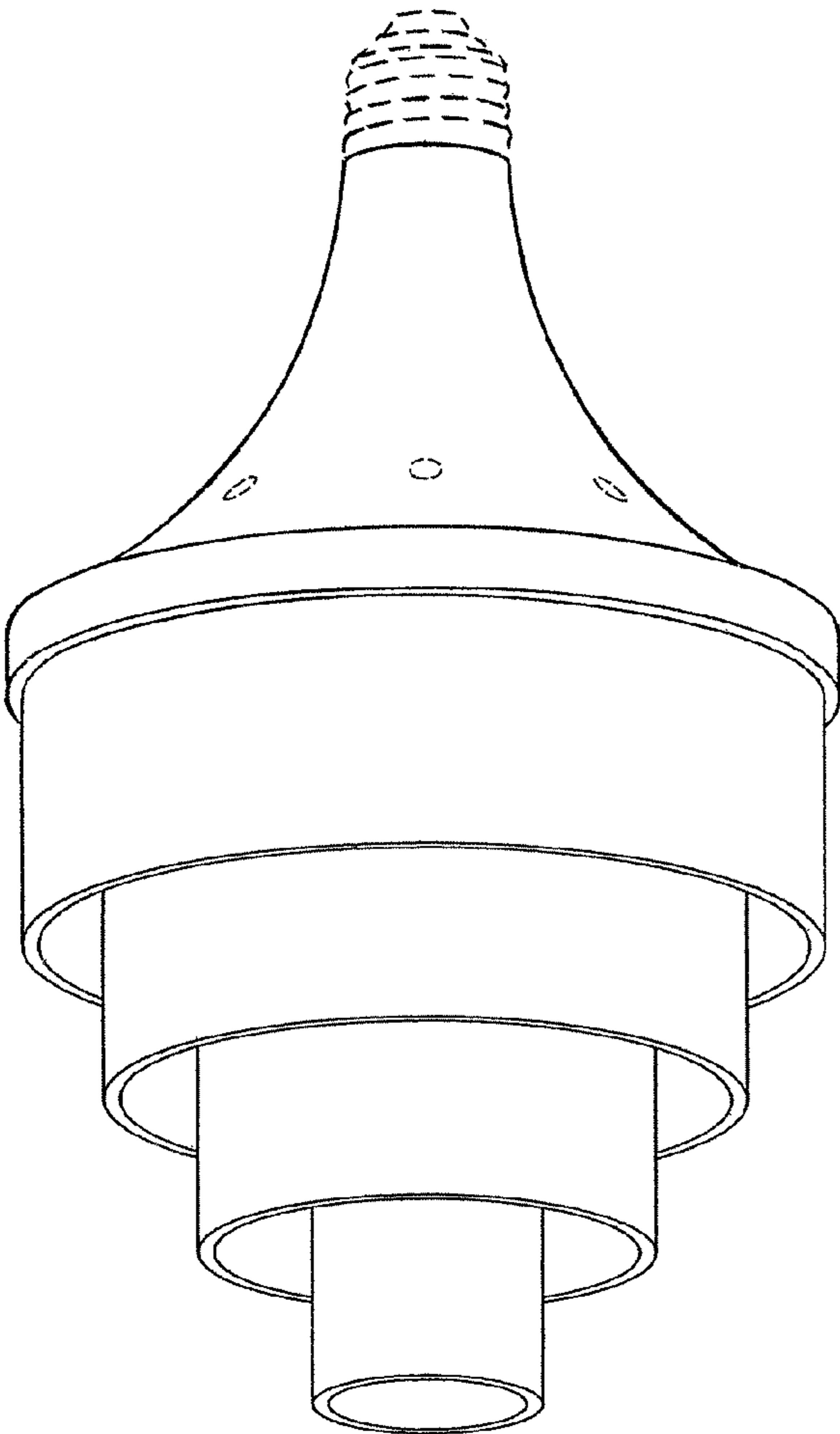


FIG. 1

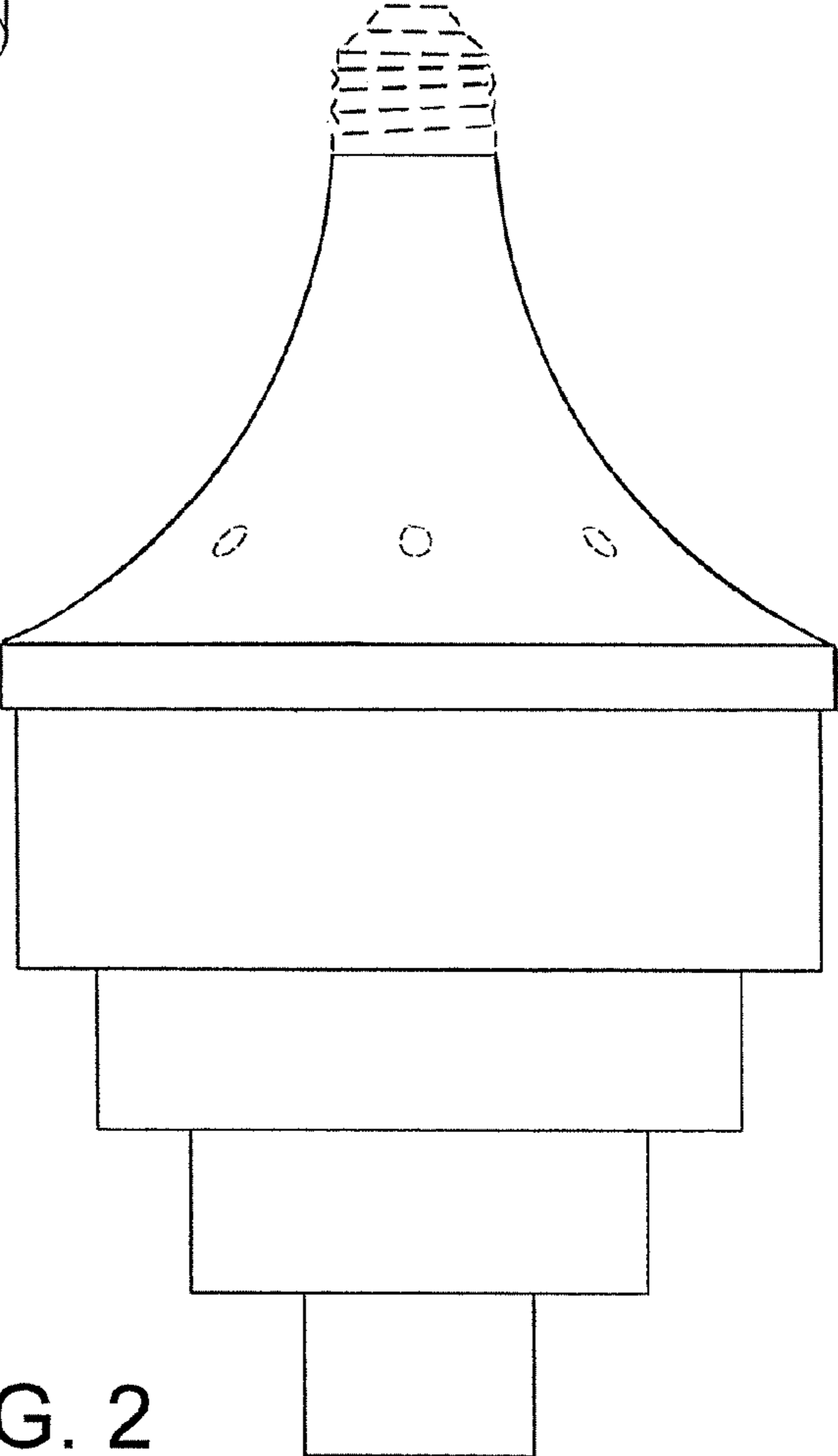


FIG. 2

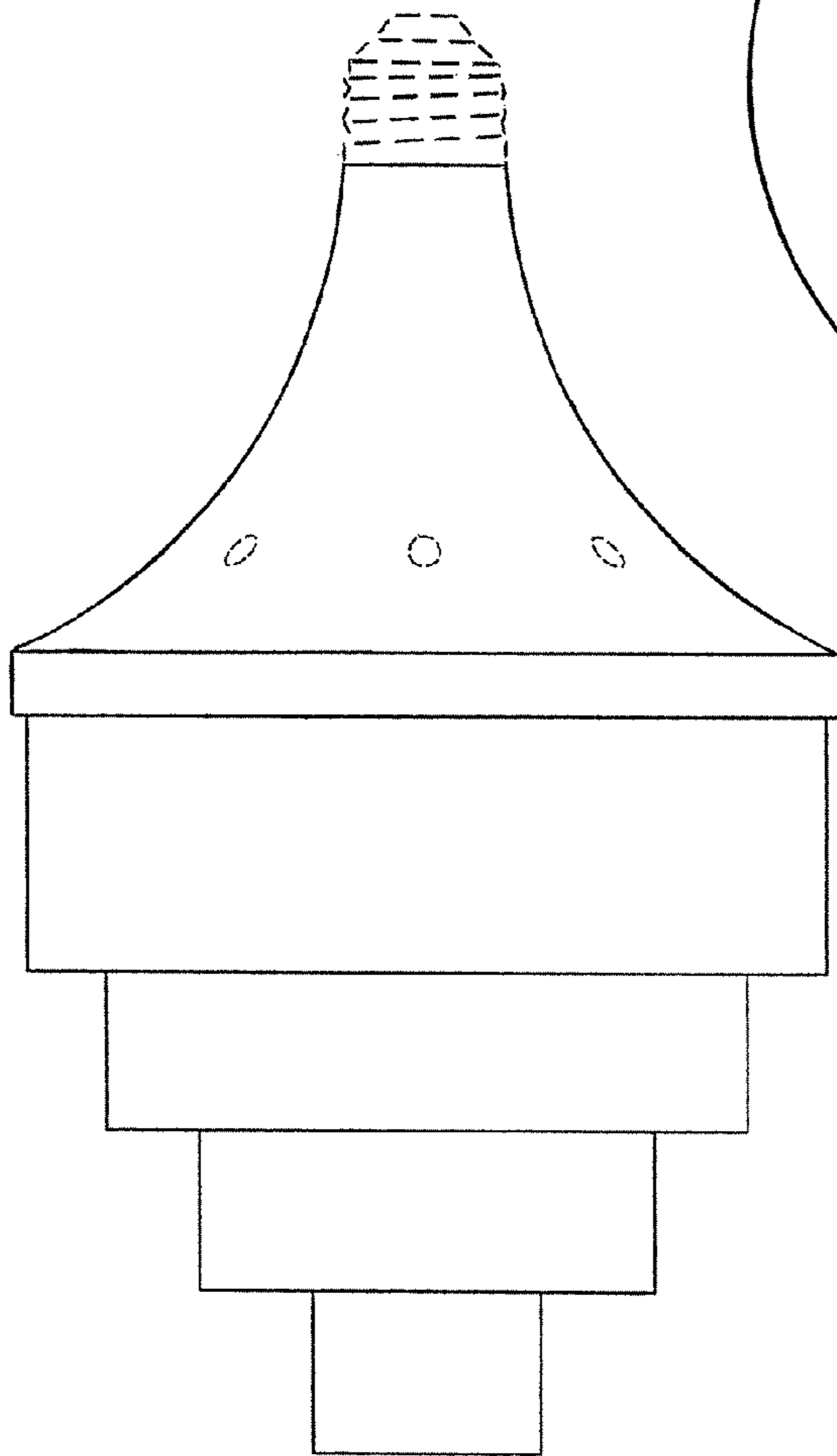


FIG. 3

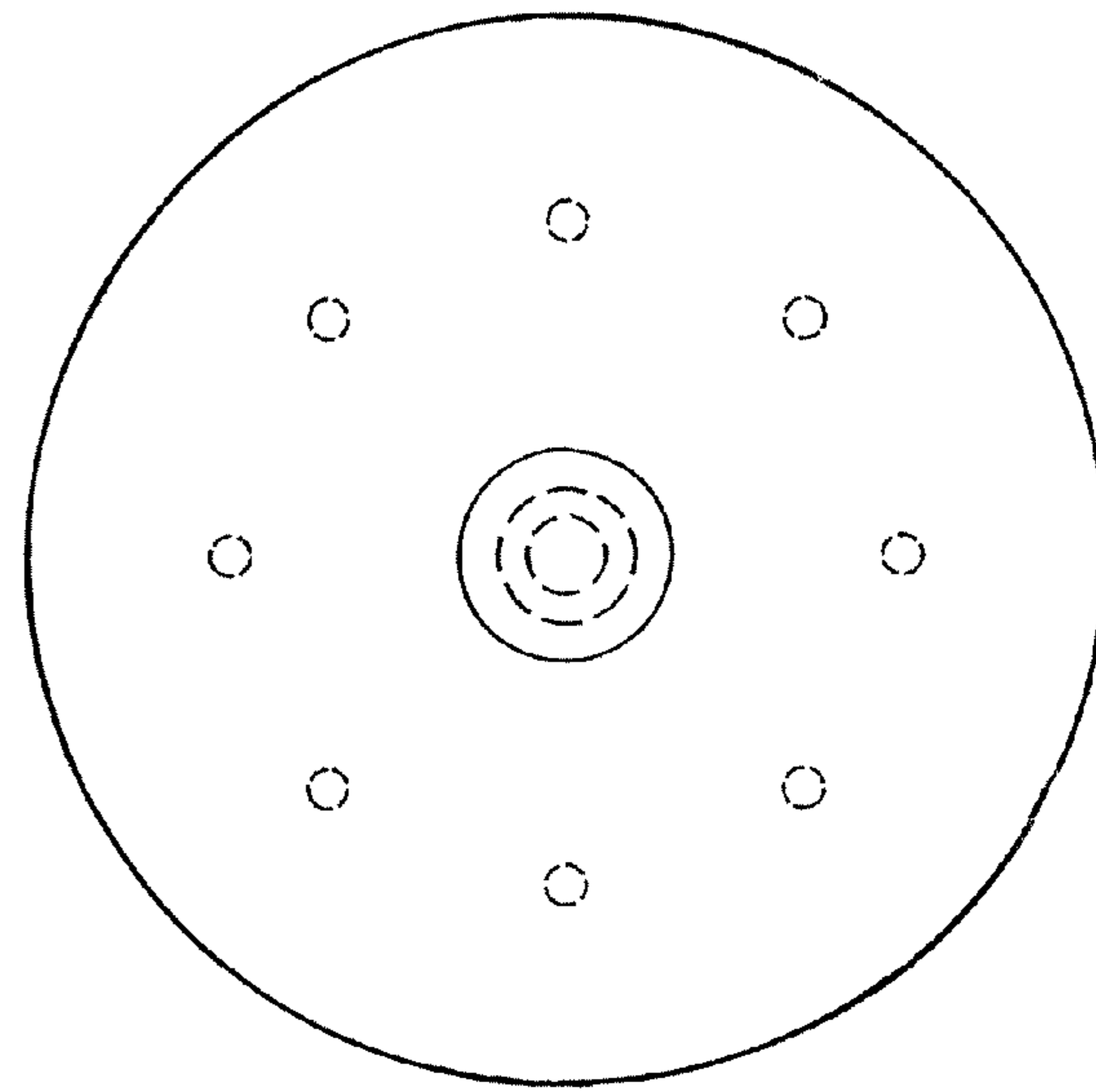


FIG. 5

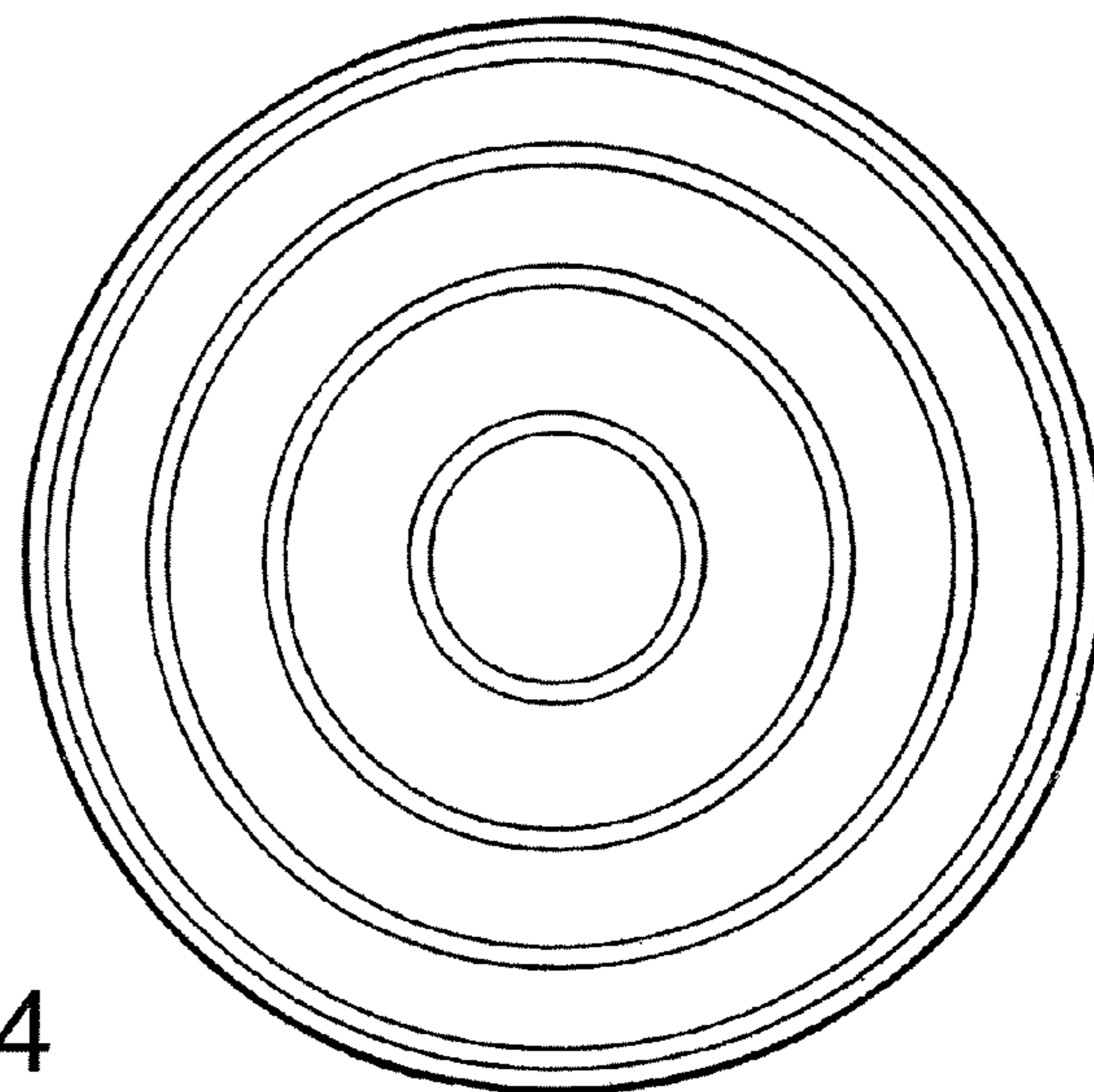


FIG. 4