

US00D653379S

(12) **United States Design Patent**
Chen

(10) **Patent No.:** **US D653,379 S**

(45) **Date of Patent:** **** Jan. 31, 2012**

(54) **MOSAIC LAMP**

(75) Inventor: **Chi Gon Chen**, Guang Zhou (CN)

(73) Assignee: **International Development LLC**,
Roanoke, TX (US)

(**) Term: **14 Years**

(21) Appl. No.: **29/391,105**

(22) Filed: **May 3, 2011**

(51) **LOC (9) Cl.** **26-03**

(52) **U.S. Cl.** **D26/87; D26/85**

(58) **Field of Classification Search** D26/67,
D26/68, 72, 85, 87, 92; 362/147, 183, 404-408,
362/431, 432

See application file for complete search history.

(56) **References Cited**

U.S. PATENT DOCUMENTS

D62,887 S *	8/1923	Dahl	D26/87
D73,618 S *	10/1927	Miller	D26/87
1,662,136 A *	3/1928	Stevens	362/367
D76,062 S *	8/1928	Shortt	D26/87
D83,935 S *	4/1931	Wing	D26/87
D367,724 S *	3/1996	Porter	D26/87
D456,935 S *	5/2002	Hsu	D26/87
D500,570 S *	1/2005	Tsai	D26/87
D513,337 S *	12/2005	Burke	D26/85

D534,676 S *	1/2007	Chen	D26/87
D570,525 S *	6/2008	Morin	D26/87
D601,746 S *	10/2009	Sabernig	D26/120

* cited by examiner

Primary Examiner — Clare E Heflin

(74) *Attorney, Agent, or Firm* — Brian Harris

(57) **CLAIM**

The ornamental design for a mosaic lamp, as shown and described.

DESCRIPTION

FIG. 1 is a perspective view of the mosaic lamp of the present invention, with a wall attachment shown in phantom;

FIG. 2 is a front elevation view thereof, with a wall attachment shown in phantom;

FIG. 3 is a rear elevation view thereof, with a wall attachment shown in phantom;

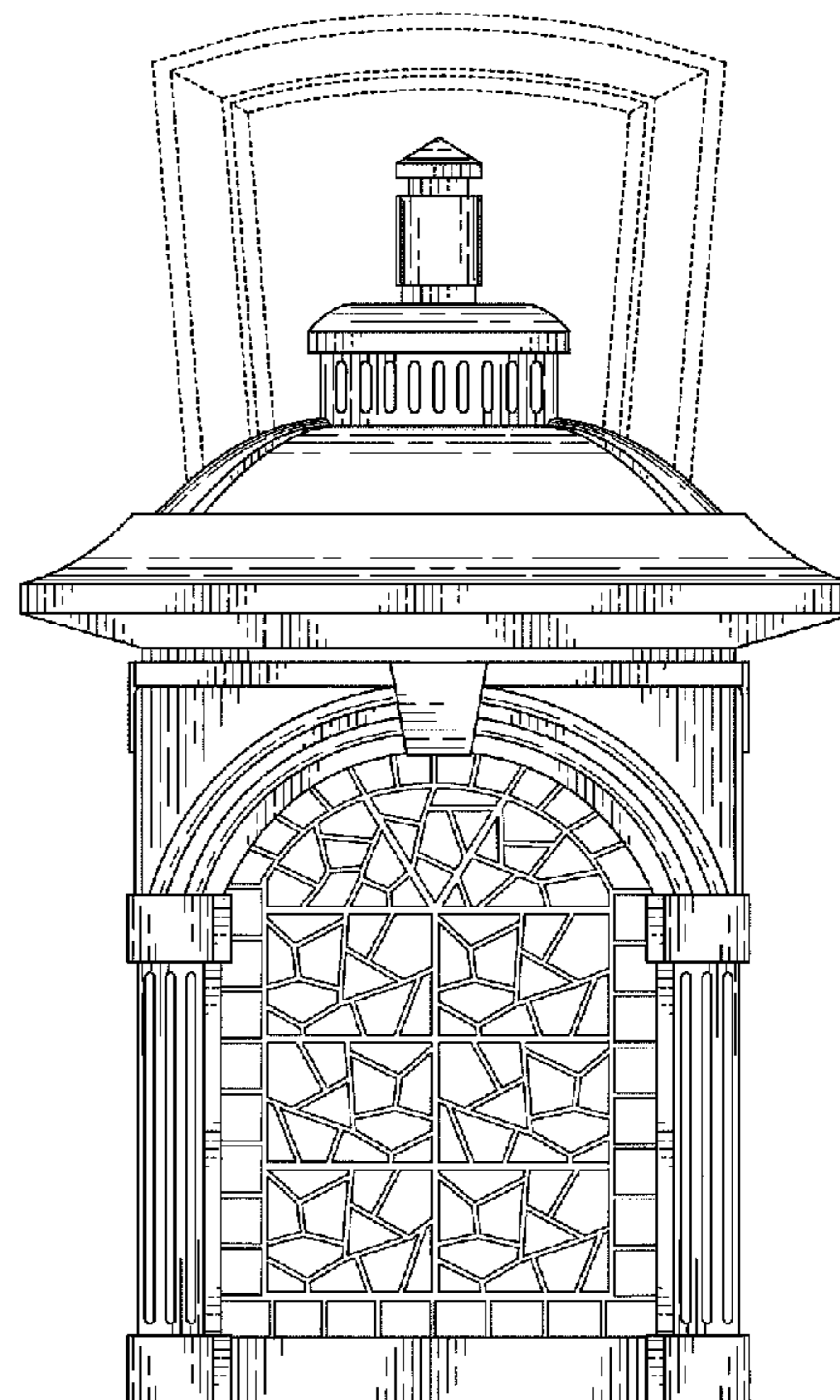
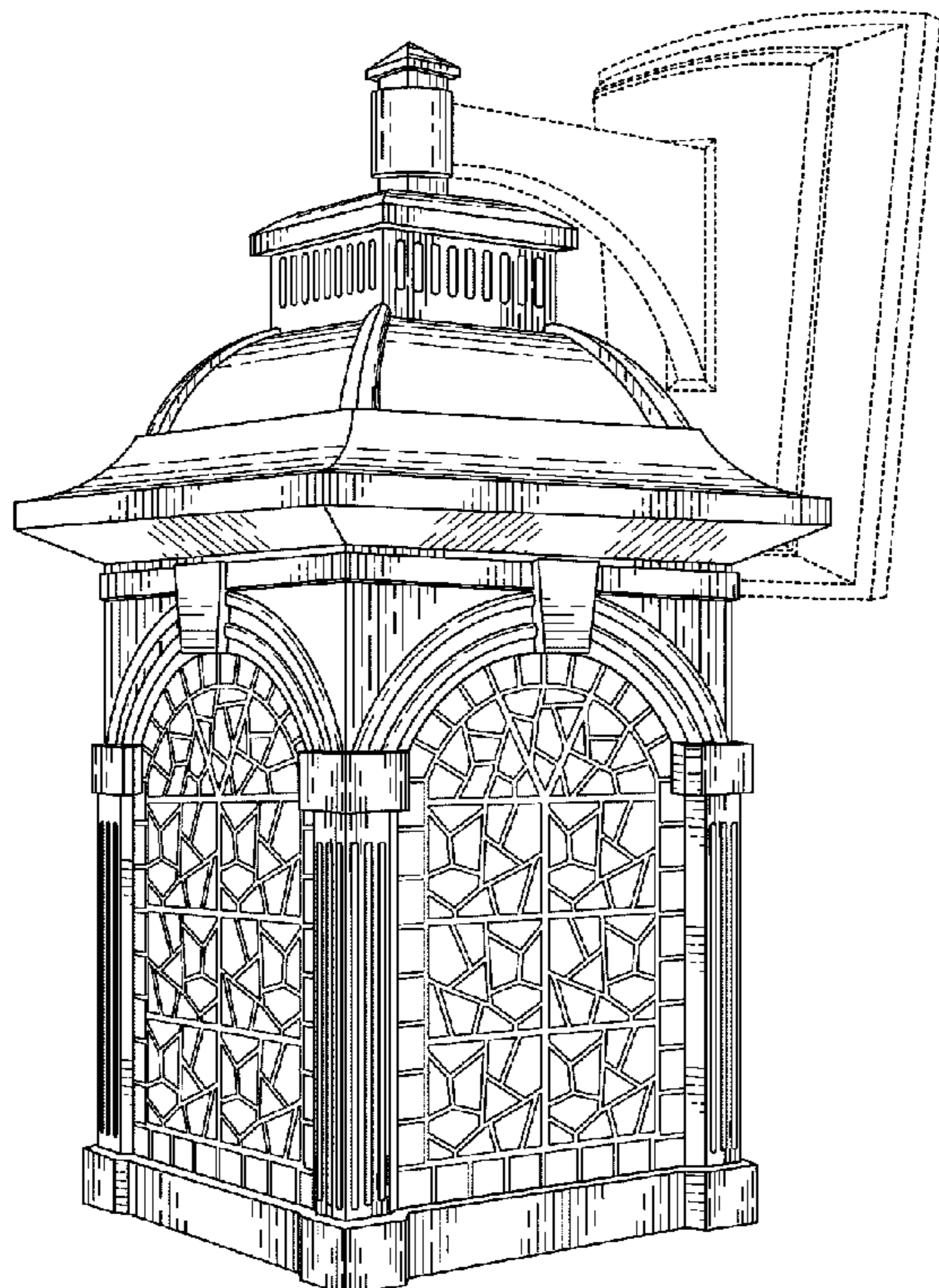
FIG. 4 is a right side elevation view thereof, with a wall attachment shown in phantom, the left side elevation view being a mirror image thereof;

FIG. 5 is a bottom plan view thereof, with a wall attachment shown in phantom; and,

FIG. 6 is a top plan view thereof, with a wall attachment shown in phantom.

The broken lines are shown in the views for illustrative purposes only and form no part of the claimed design.

1 Claim, 3 Drawing Sheets



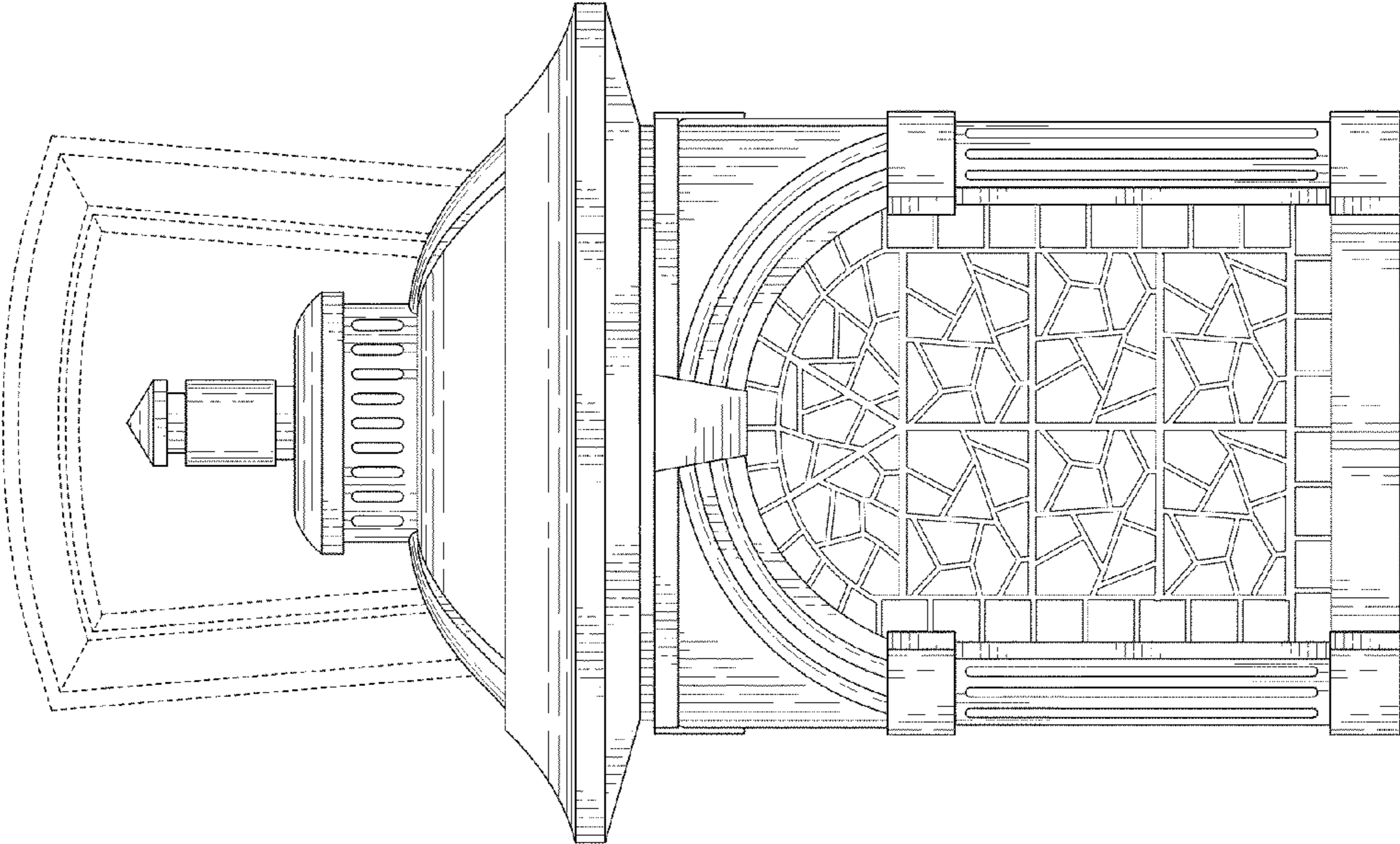


FIG. 2

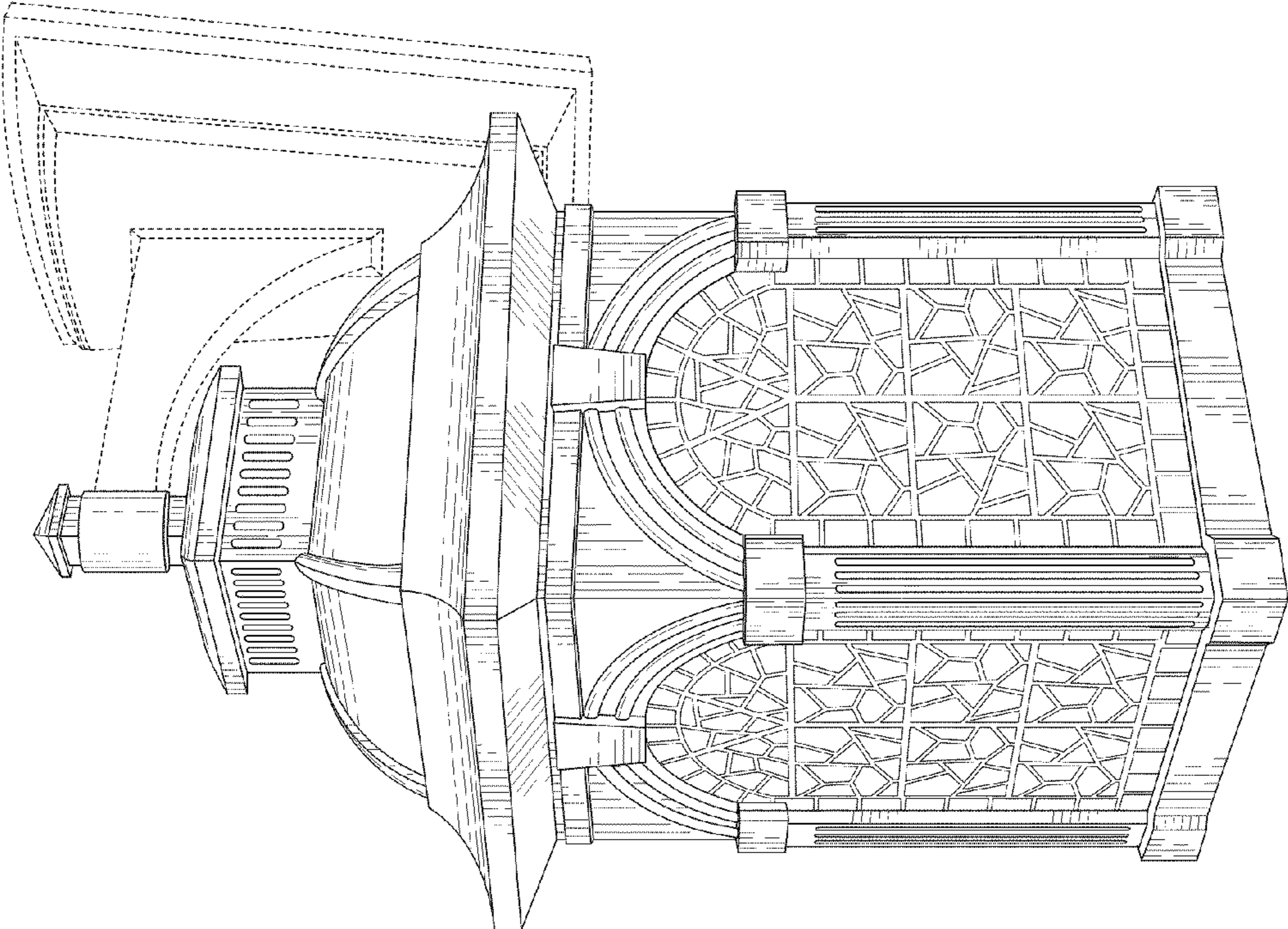


FIG. 1

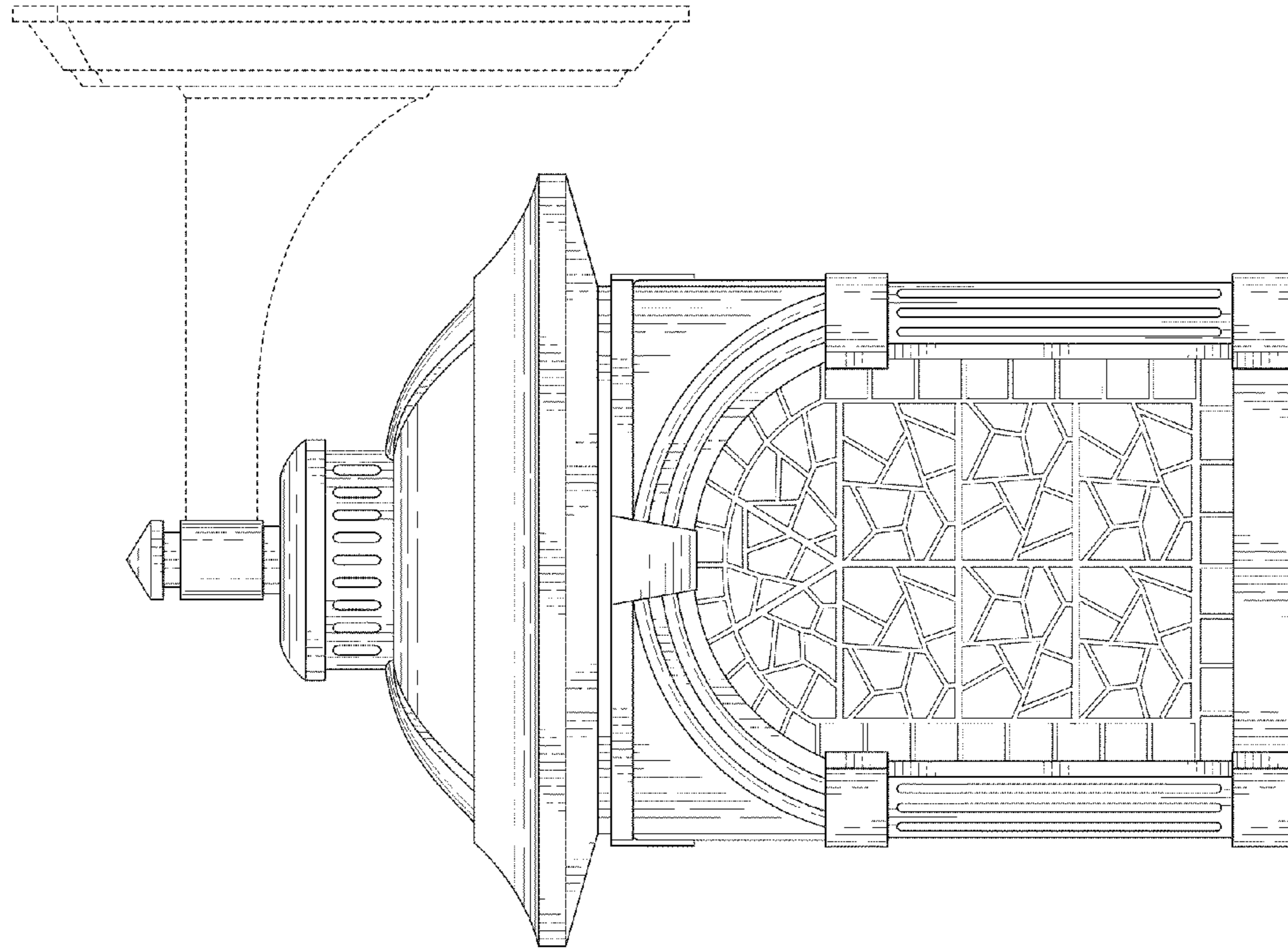


FIG. 4

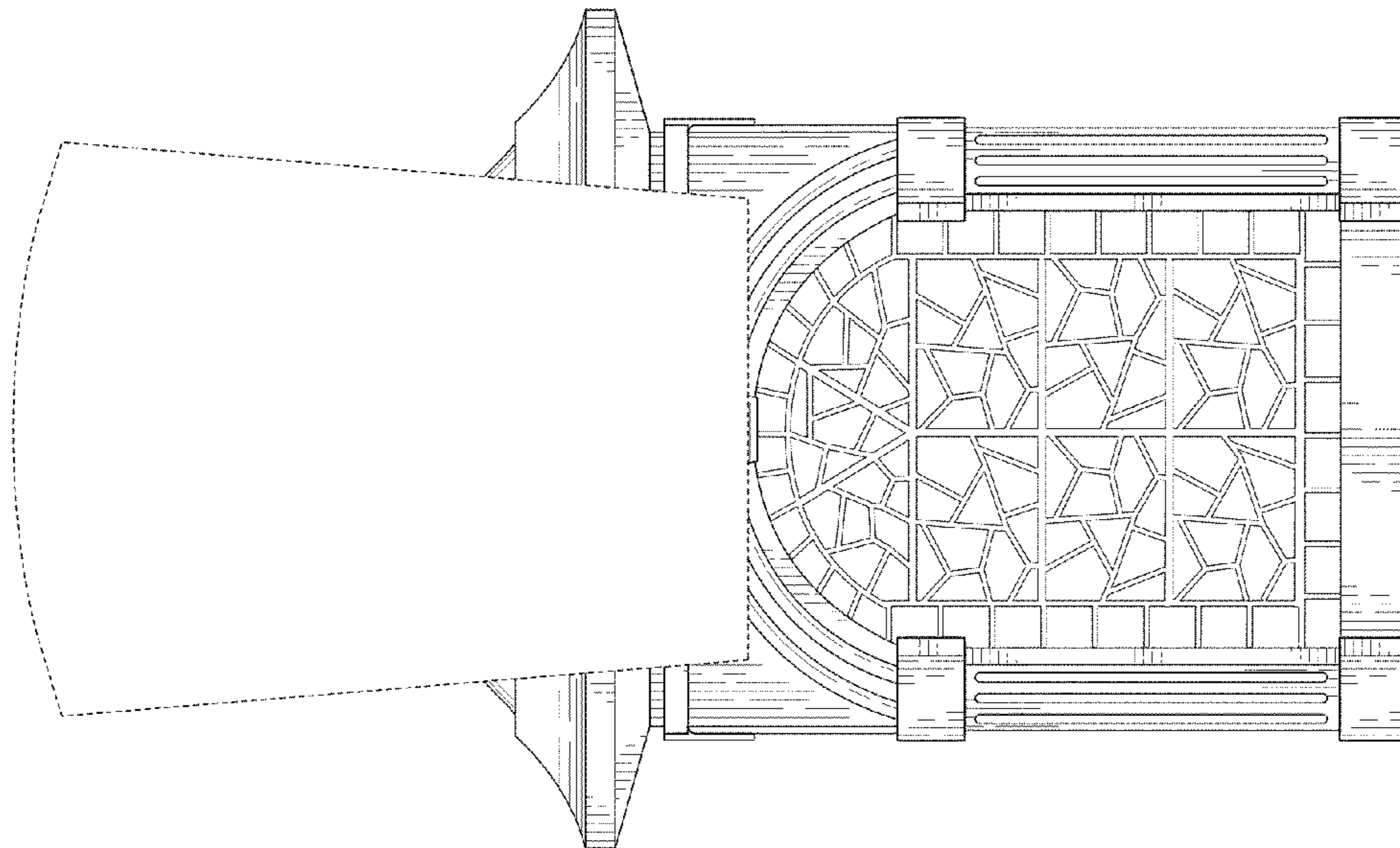


FIG. 3

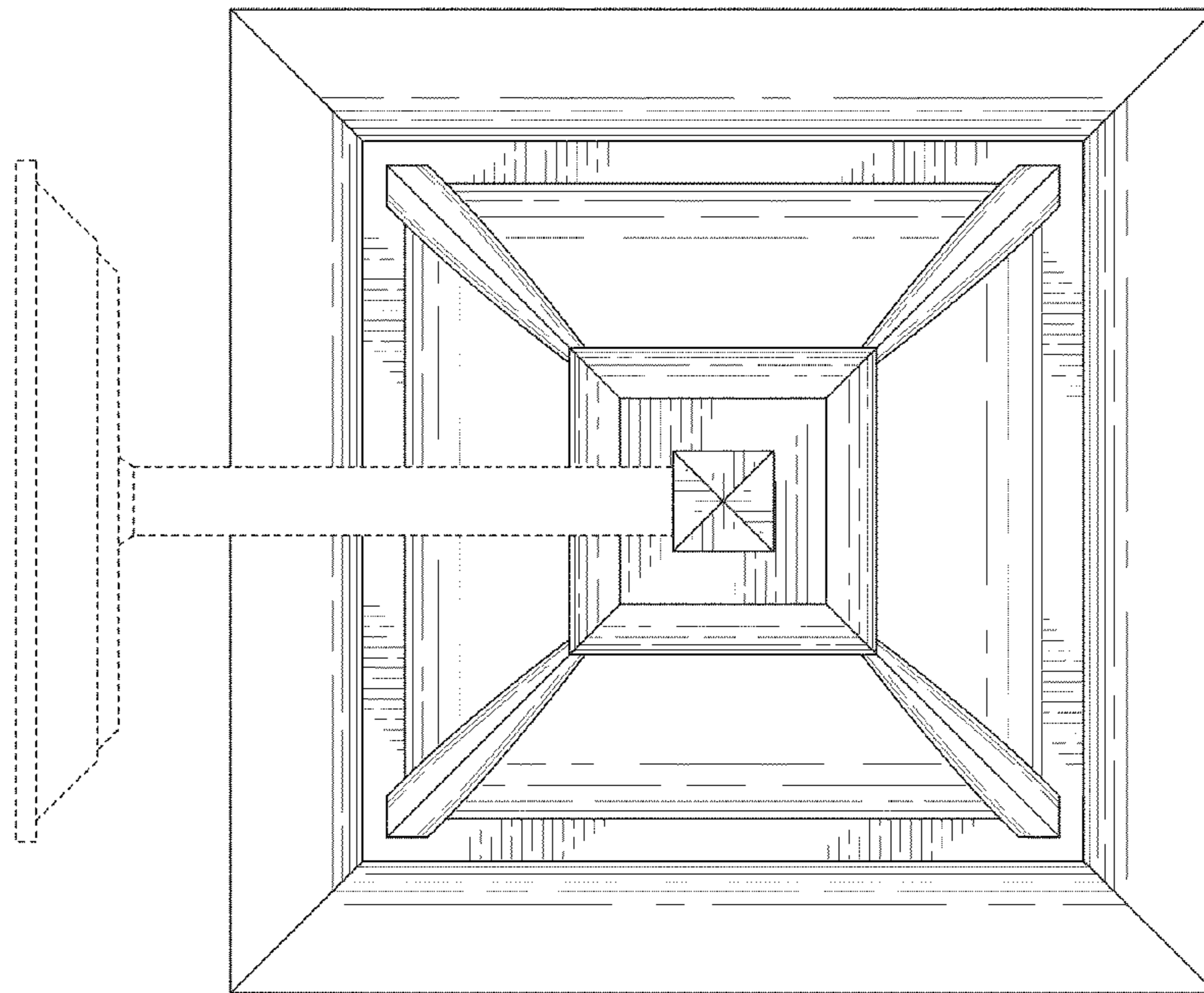


FIG. 6

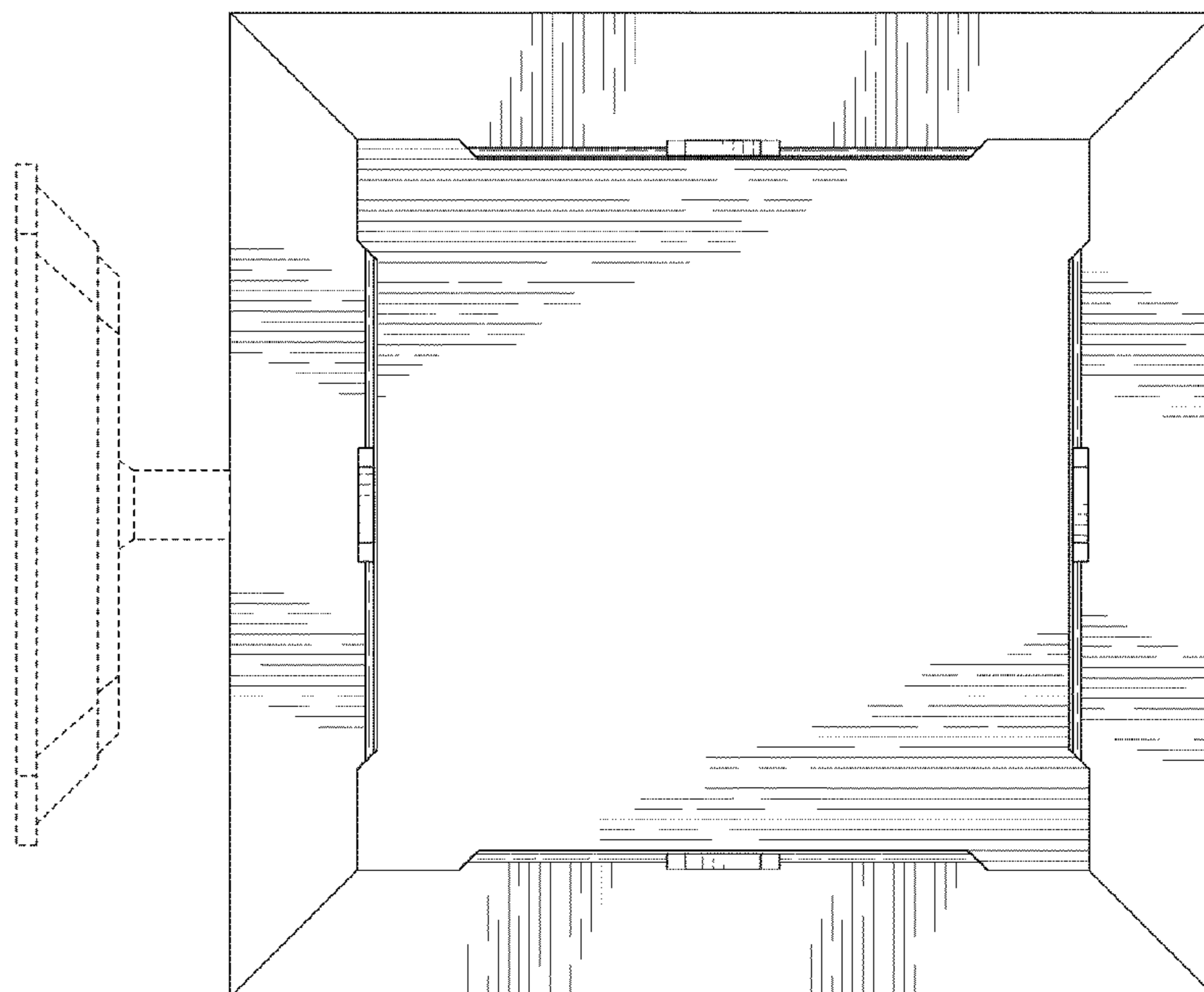


FIG. 5