



US00D653377S

(12) **United States Design Patent**
Guercio

(10) **Patent No.:** **US D653,377 S**

(45) **Date of Patent:** **** Jan. 31, 2012**

(54) **UPRIGHT LED WALLPACK**

(75) Inventor: **Vincenzo Guercio**, Walkill, NY (US)

(73) Assignee: **RAB Lighting Inc.**, Northvale, NJ (US)

(**) Term: **14 Years**

(21) Appl. No.: **29/388,572**

(22) Filed: **Mar. 30, 2011**

(51) **LOC (9) Cl.** **26-03**

(52) **U.S. Cl.** **D26/85; D26/92**

(58) **Field of Classification Search** D26/67,
D26/68, 72, 82, 83, 85, 87, 89, 92, 128; 362/147,
362/183, 240, 249.02, 249.03, 249.04, 249.06,
362/249.16, 373, 431, 432

See application file for complete search history.

(56) **References Cited**

U.S. PATENT DOCUMENTS

D248,184 S *	6/1978	Roberts	D26/85
D380,853 S *	7/1997	Johnson	D26/128
D422,739 S *	4/2000	Lin	D26/87
D500,569 S *	1/2005	Butler	D26/71
7,150,542 B1 *	12/2006	Russello et al.	362/285
7,296,914 B1 *	11/2007	Russello et al.	362/285
D566,876 S *	4/2008	Allen et al.	D26/85
D579,141 S *	10/2008	Guercio	D26/92
D584,445 S *	1/2009	Guercio	D26/85
D608,040 S *	1/2010	Guercio	D26/71
D610,296 S *	2/2010	Boissevain et al.	D26/85
D624,686 S *	9/2010	Toney et al.	D26/72

D634,878 S * 3/2011 Guercio et al. D26/85

* cited by examiner

Primary Examiner — Clare E Heflin

(74) *Attorney, Agent, or Firm* — Stewart & Irwin, PC;
Dennis S. Schell

(57) **CLAIM**

The ornamental design for an upright LED wallpack, as shown and described herein.

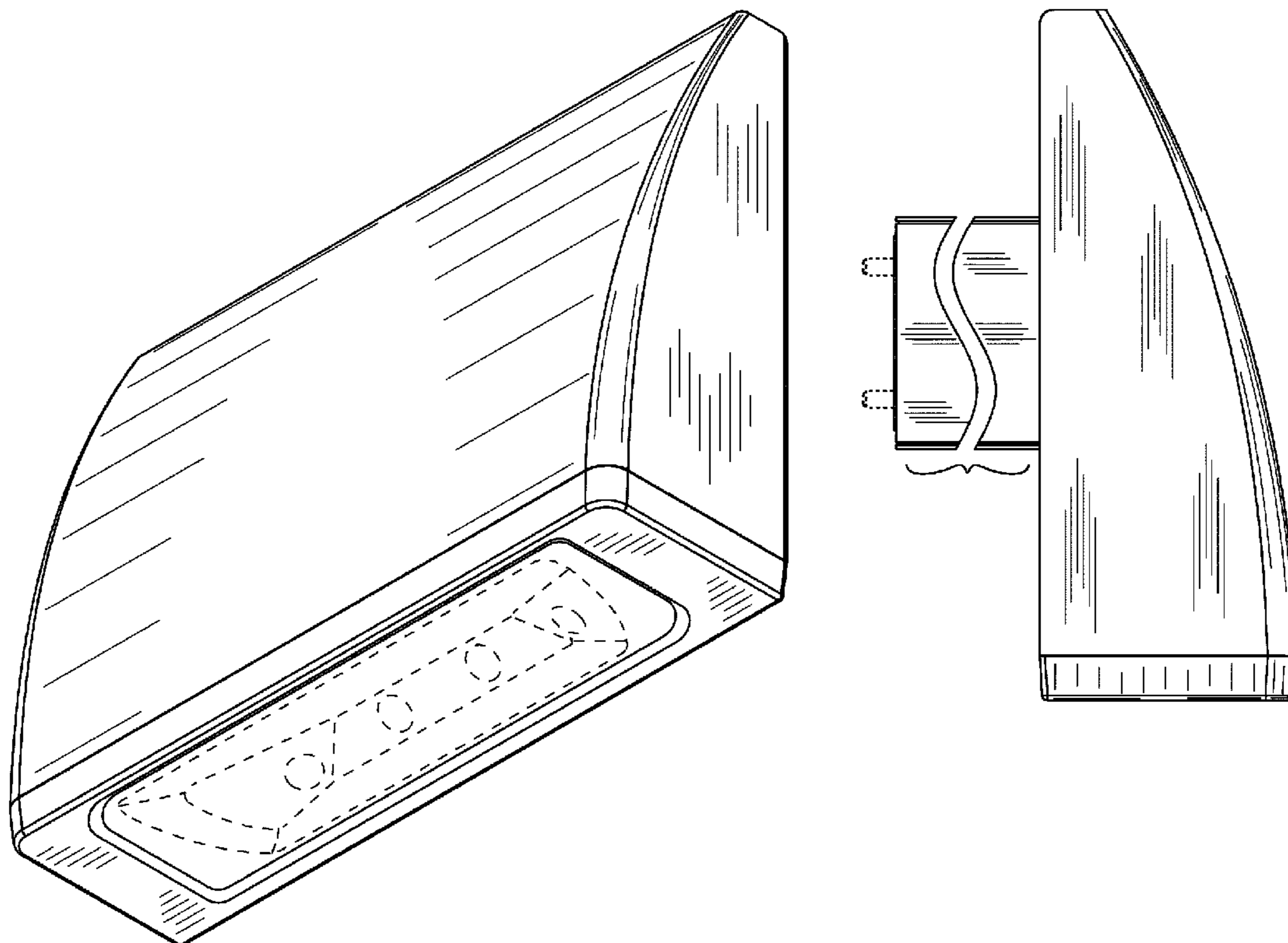
DESCRIPTION

FIG. 1 is a bottom perspective view of the new design;
FIG. 2 is a rear perspective view thereof;
FIG. 3 is a front view thereof;
FIG. 4 is a left side view thereof;
FIG. 5 is a back view thereof;
FIG. 6 is a top view thereof;
FIG. 7 is a bottom view thereof;
FIG. 8 is a sectional view taken along line 8-8 of FIG. 5; and,
FIG. 9 is a sectional view taken along line 9-9 of FIG. 5.

The right side view is a mirror image of the left side view shown in FIG. 4.

The design consists of the features of shape, ornamentation and configuration of the article shown in the drawings. The broken lines shown in the drawings depict portions of the article that form no part of the claimed design. The use of a separation and a bracket is to indicate that the precise length of the structure on the back of the design is not claimed.

1 Claim, 9 Drawing Sheets



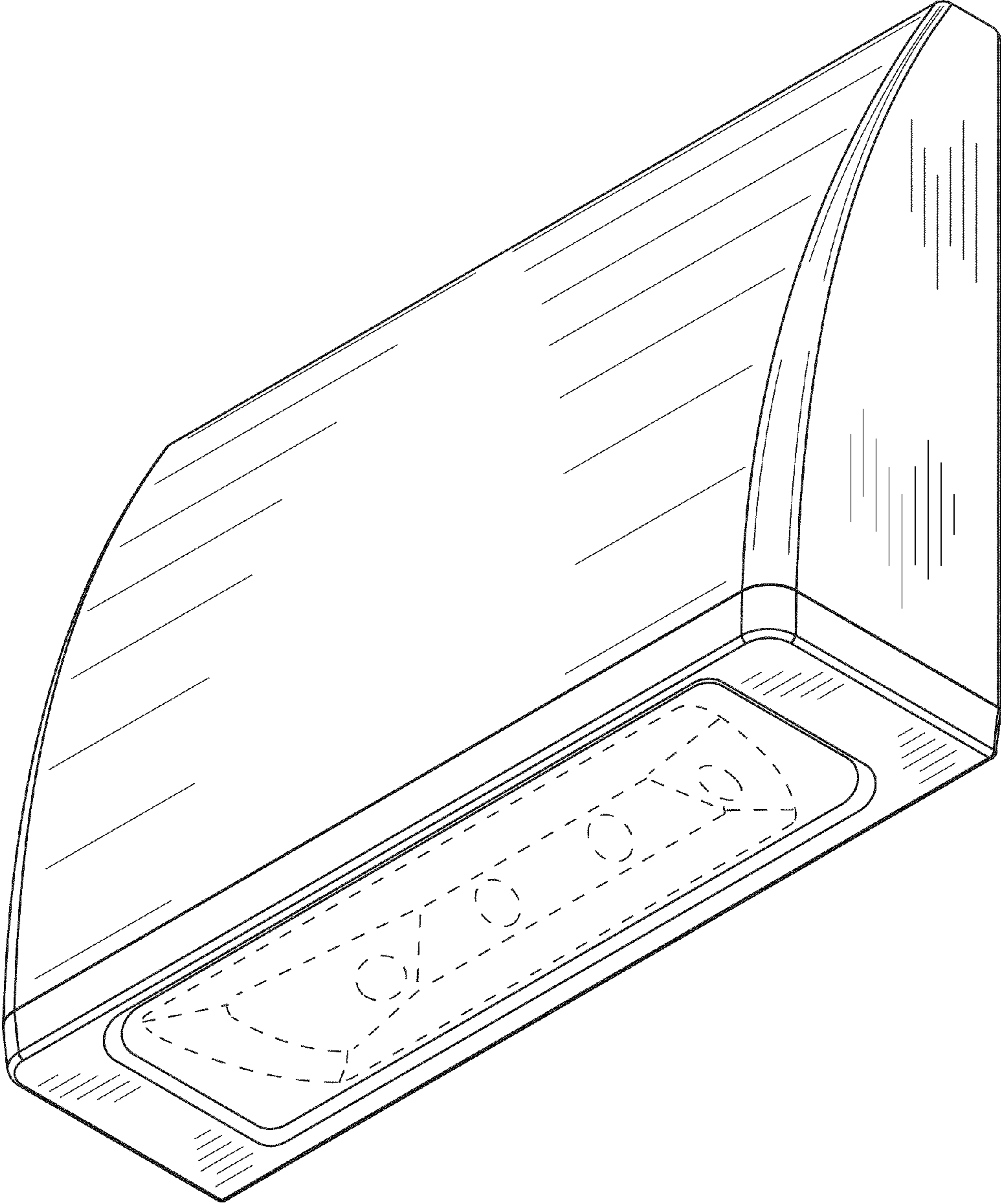
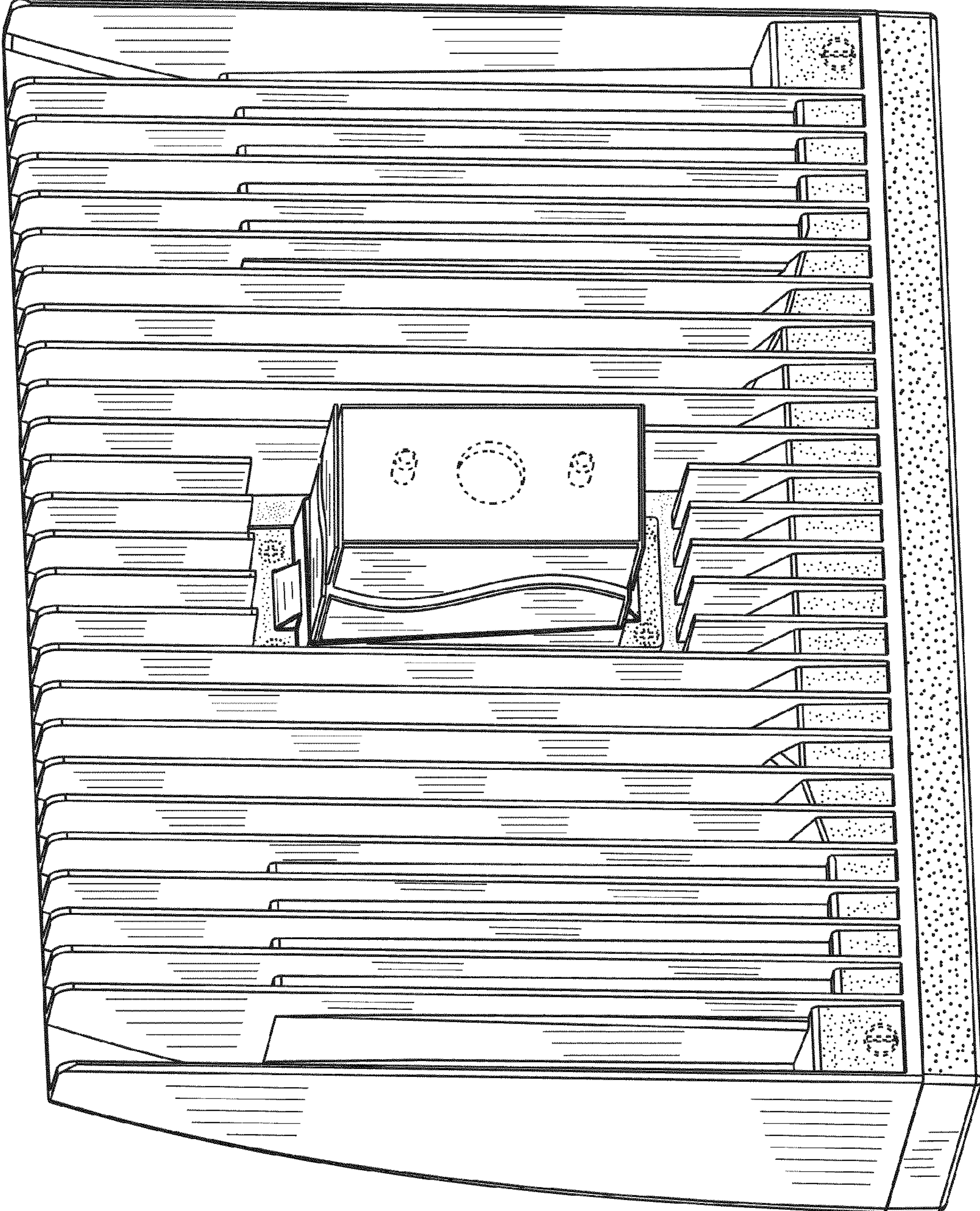


Fig. 1

Fig. 2



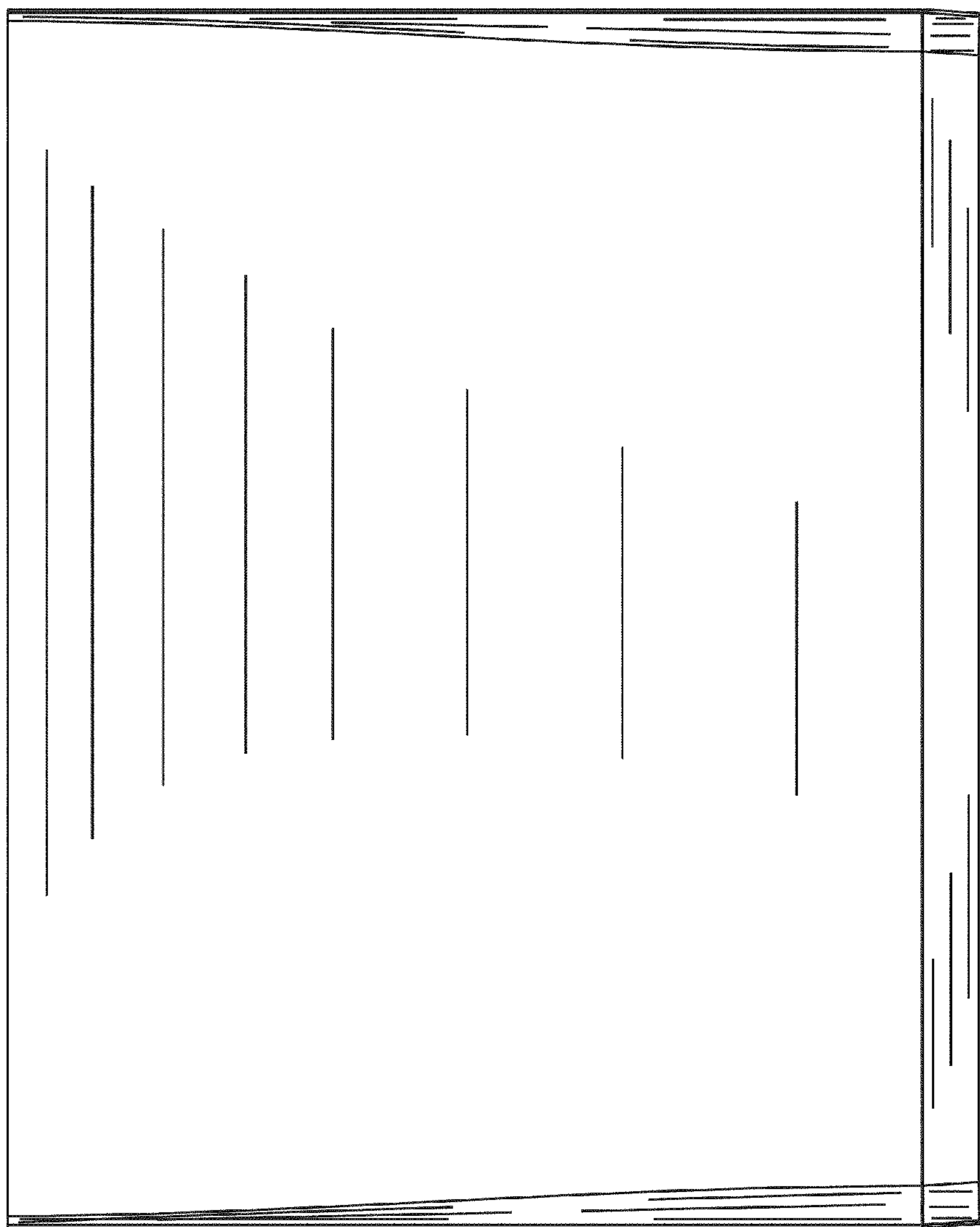


Fig. 3

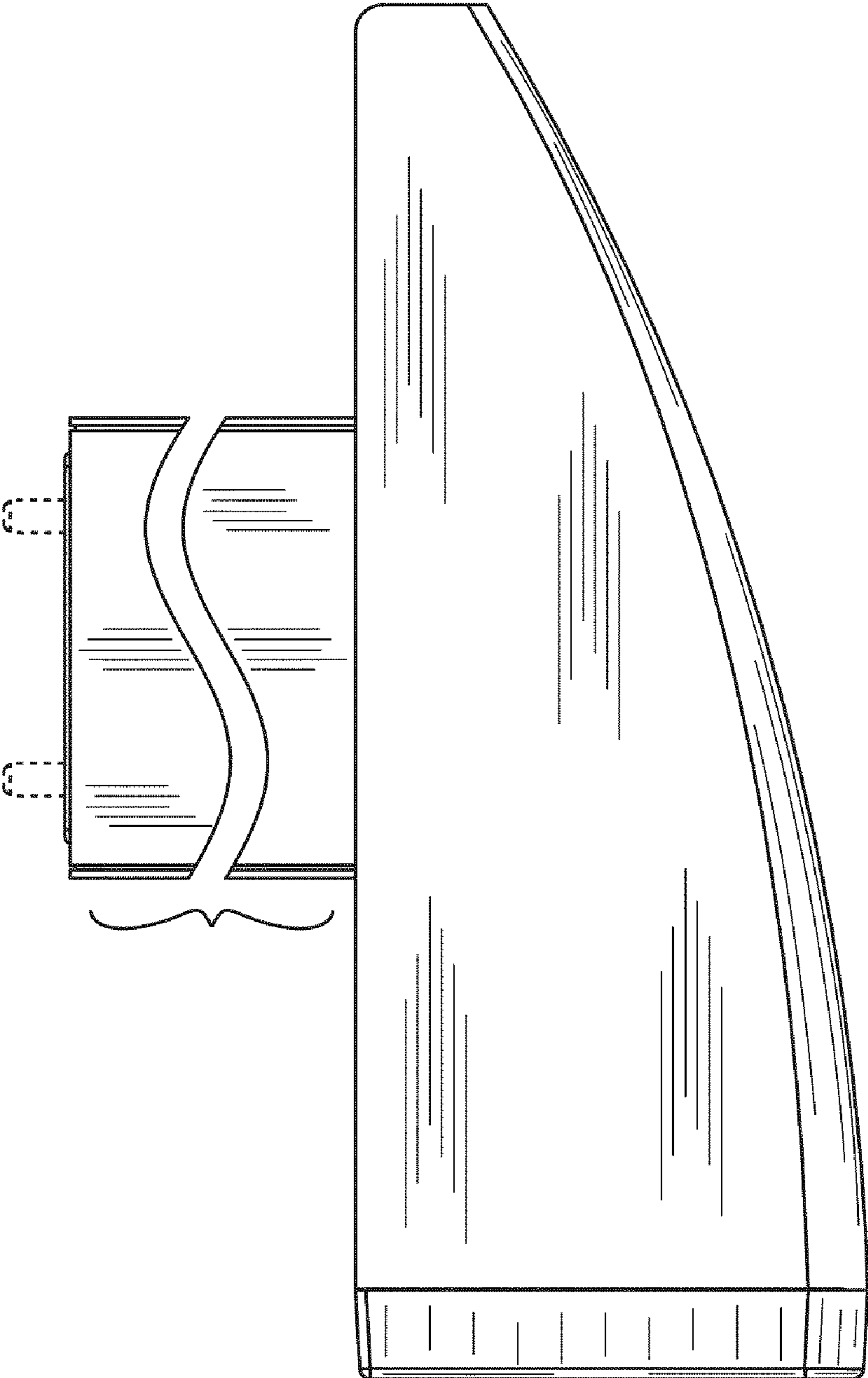
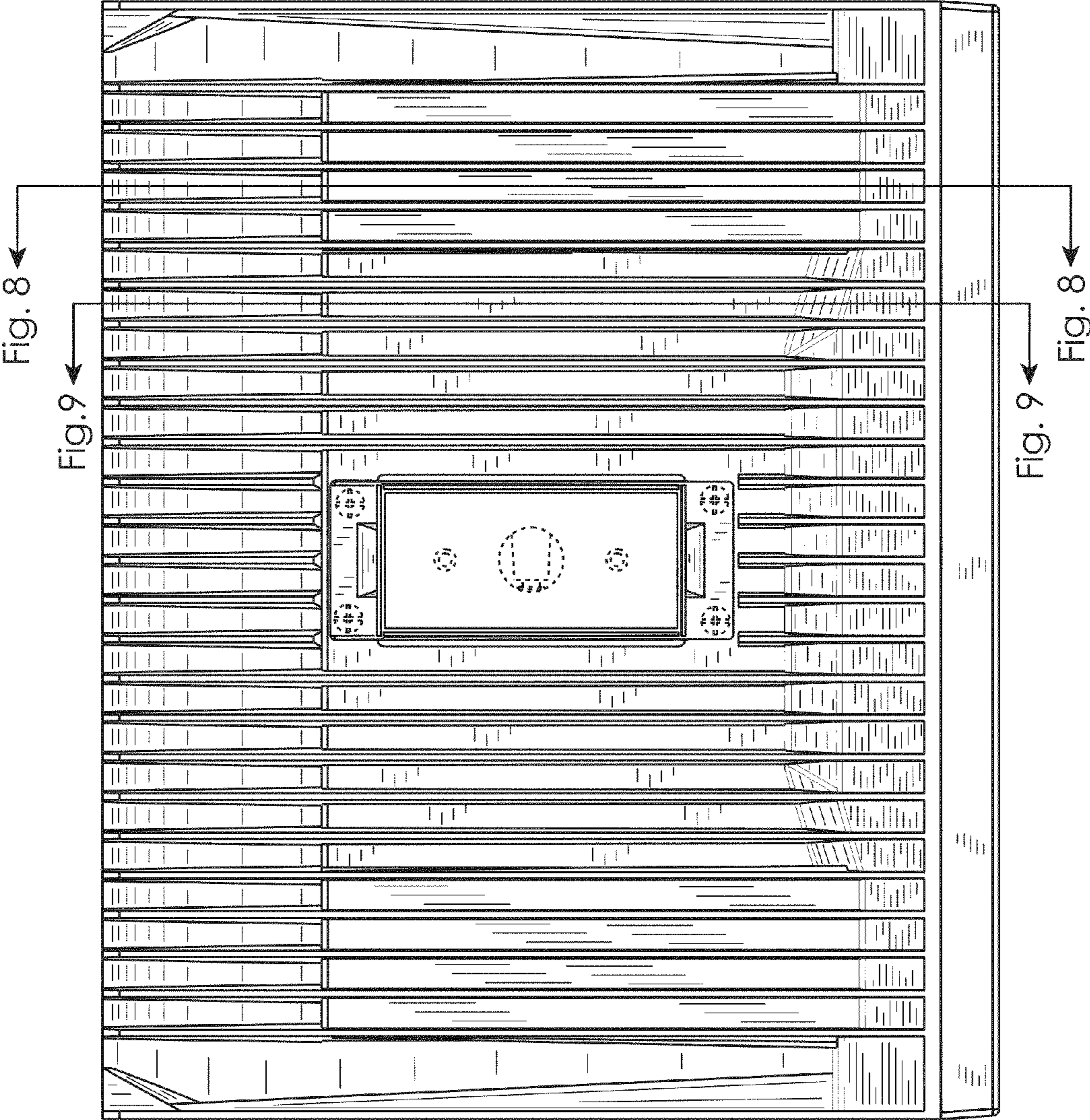


Fig. 4

Fig. 5



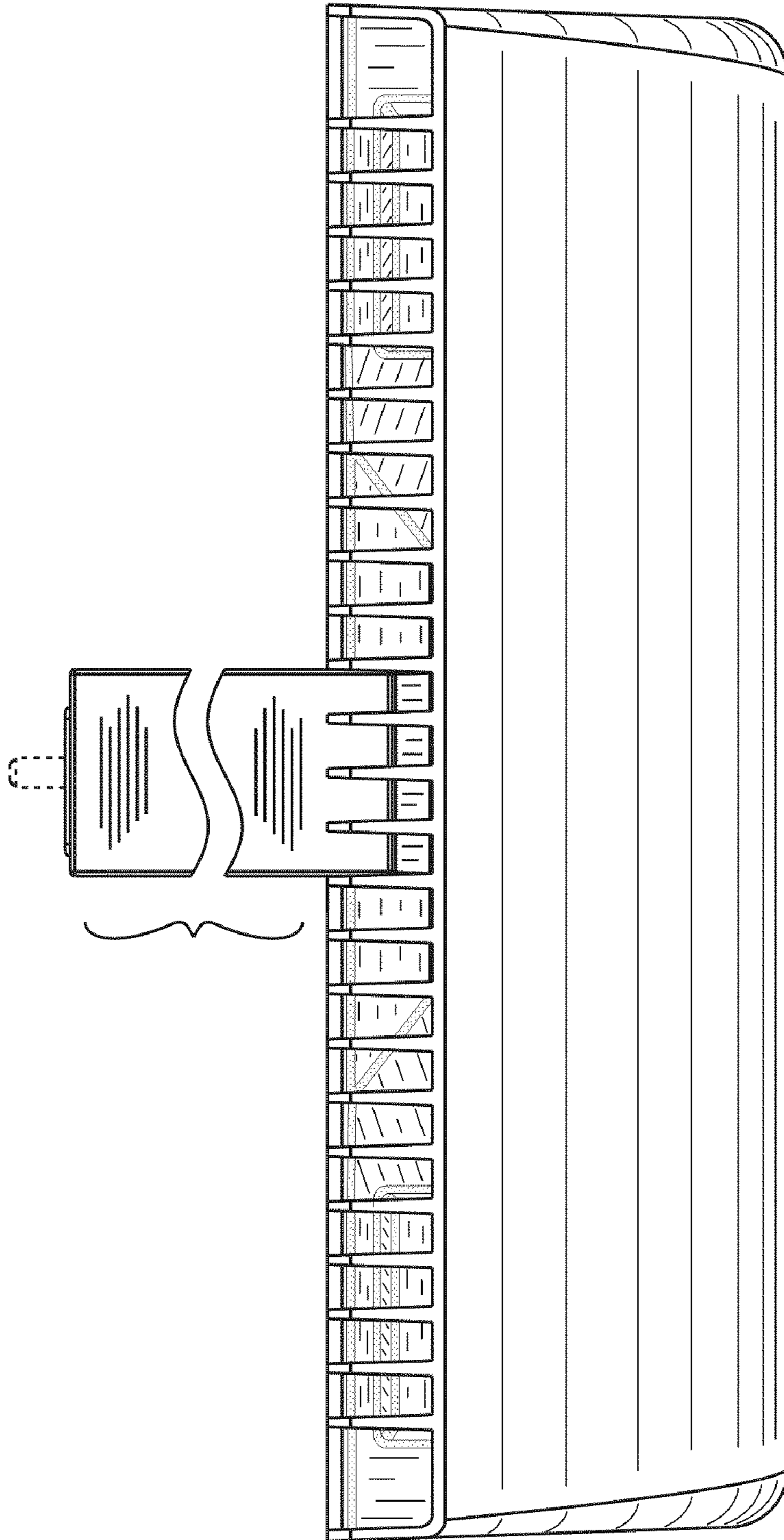


Fig. 6

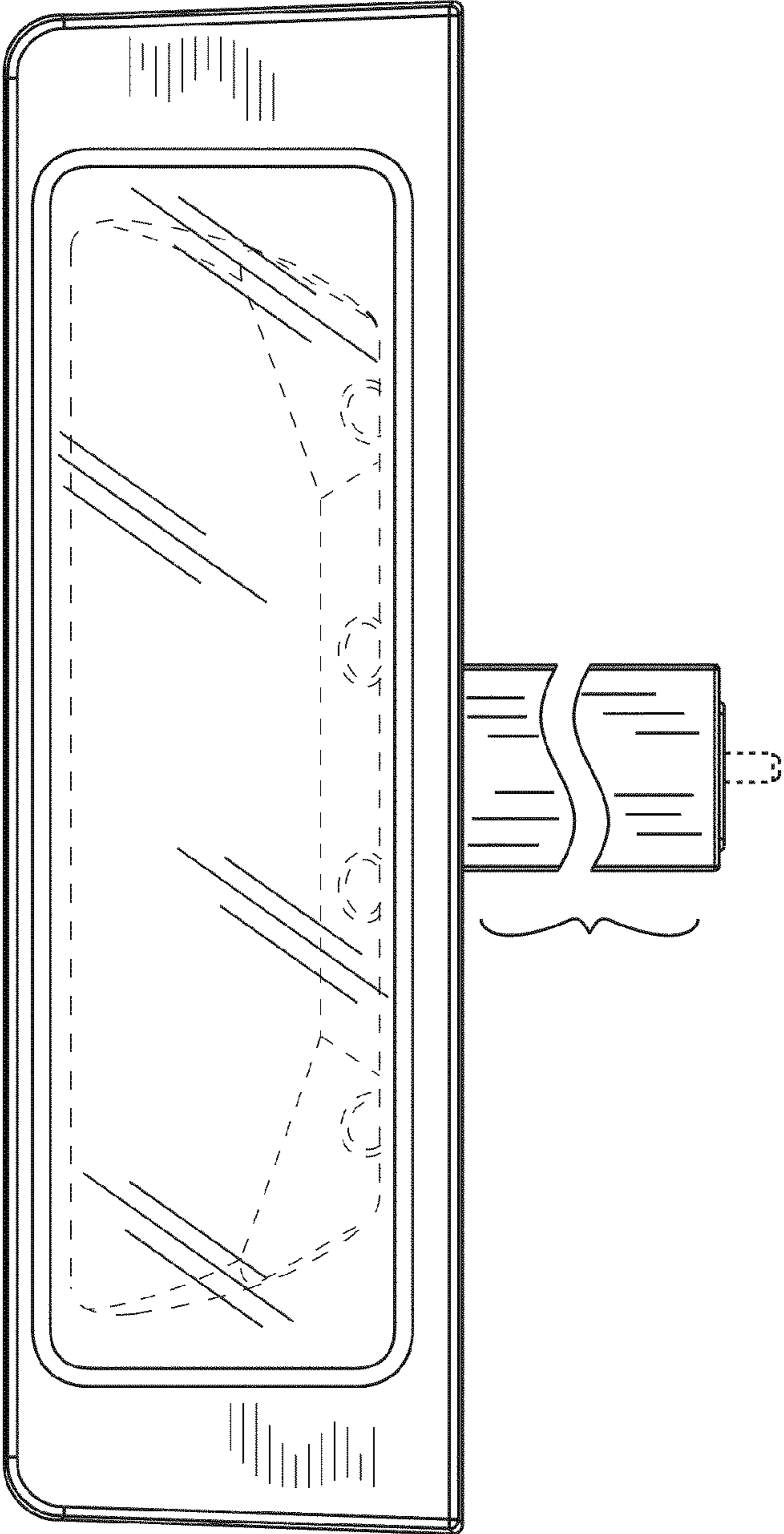


Fig. 7

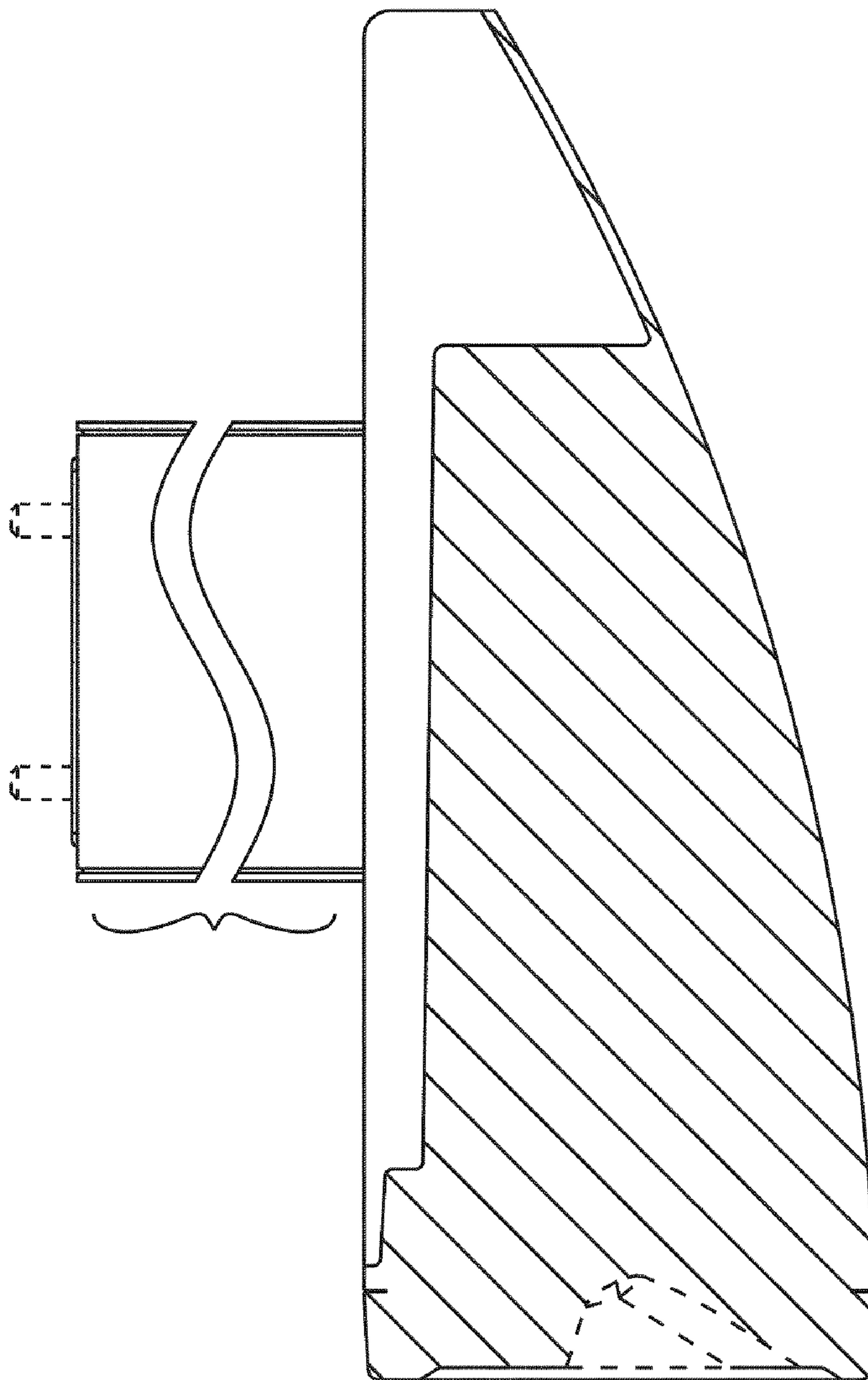


Fig. 8

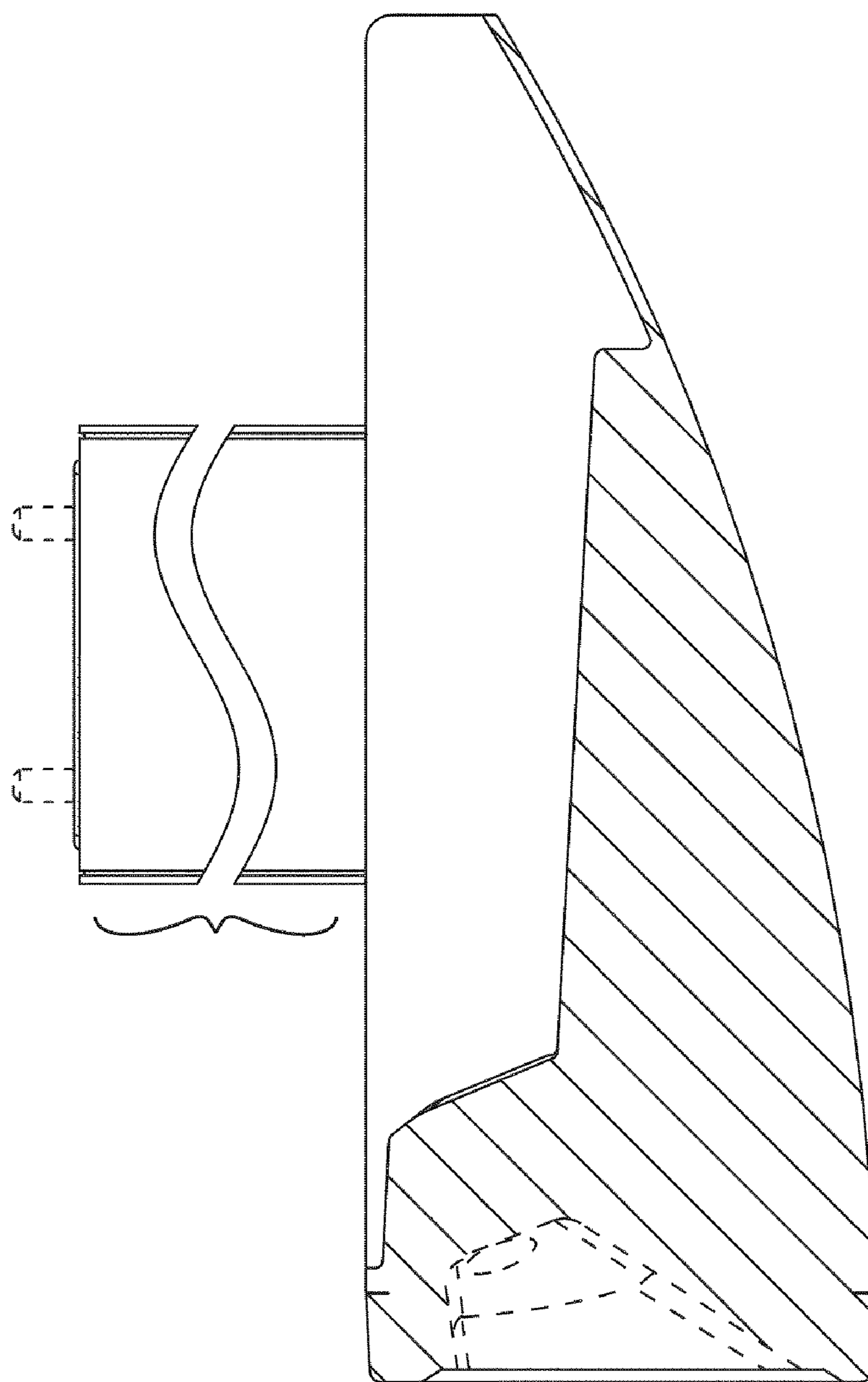


Fig. 9