



US00D653376S

(12) **United States Design Patent**
Kong et al.

(10) **Patent No.:** **US D653,376 S**
(45) **Date of Patent:** **** Jan. 31, 2012**

(54) **LIGHT-EMITTING DIODE (LED) INTERIOR LIGHTS FIXTURE**

D632,823 S * 2/2011 Kong et al. D26/88
2003/0185002 A1* 10/2003 Chen 362/225
2011/0043132 A1* 2/2011 Kim et al. 315/294

(75) Inventors: **Kyung Il Kong**, Seoul (KR); **Haw Young Kim**, Yongin-si (KR)

FOREIGN PATENT DOCUMENTS

EM 001191571-0003 3/2010

(73) Assignee: **LG Innotek Co., Ltd.**, Seoul (KR)

* cited by examiner

(**) Term: **14 Years**

Primary Examiner — Angela J Lee

(21) Appl. No.: **29/356,468**

(74) *Attorney, Agent, or Firm* — McKenna Long & Aldridge LLP

(22) Filed: **Feb. 25, 2010**

(57) **CLAIM**

(30) **Foreign Application Priority Data**

The ornamental design for a light-emitting diode (LED) interior lights fixture, as shown and described.

Aug. 25, 2009 (KR) 30-2009-0037506

(51) **LOC (9) Cl.** **26-03**

DESCRIPTION

(52) **U.S. Cl.** **D26/76; D26/72**

(58) **Field of Classification Search** D26/75-85,
D26/88, 89, 72, 25, 3; 362/555, 14, 148,
362/150, 217.01, 217.05, 217.06, 217.07,
362/217.08, 217.09, 217.1, 217.12, 217.13,
362/260, 296.01, 404

FIG. 1 is a bottom, front, perspective view of a light-emitting diode (LED) interior lights fixture showing our new design; FIG. 2 is a front elevational view thereof, the rear view being identical to the front view; FIG. 3 is a left side elevational view thereof, the right side view being identical to the left side view; FIG. 4 is a top plan view thereof; FIG. 5 is a bottom plan view thereof; FIG. 6 is an exploded view thereof; FIG. 7 is a bottom, front, cross-sectional, perspective view thereof; FIG. 8 is a view of the encircled area of FIG. 7 on an enlarged scale, illustrating a cross-sectional shape thereof; FIG. 9 is a bottom, front, cross-sectional, perspective view thereof; and, FIG. 10 is a view of the encircled area of FIG. 9 on an enlarged scale, illustrating a cross-sectional shape thereof.

See application file for complete search history.

(56) **References Cited**

U.S. PATENT DOCUMENTS

D132,786 S * 6/1942 Netting D26/78
D397,819 S * 9/1998 Thorton, Jr. D26/77
D407,473 S * 3/1999 Wimbock D23/328
5,988,829 A * 11/1999 Holder 362/223
D496,121 S * 9/2004 Santoro D26/74
D556,358 S * 11/2007 Santoro D26/74
D579,598 S * 10/2008 Santoro D26/76
D602,625 S * 10/2009 Santoro D26/76
D608,932 S * 1/2010 Castelli D26/76
D617,487 S * 6/2010 Fowler et al. D26/76

1 Claim, 8 Drawing Sheets

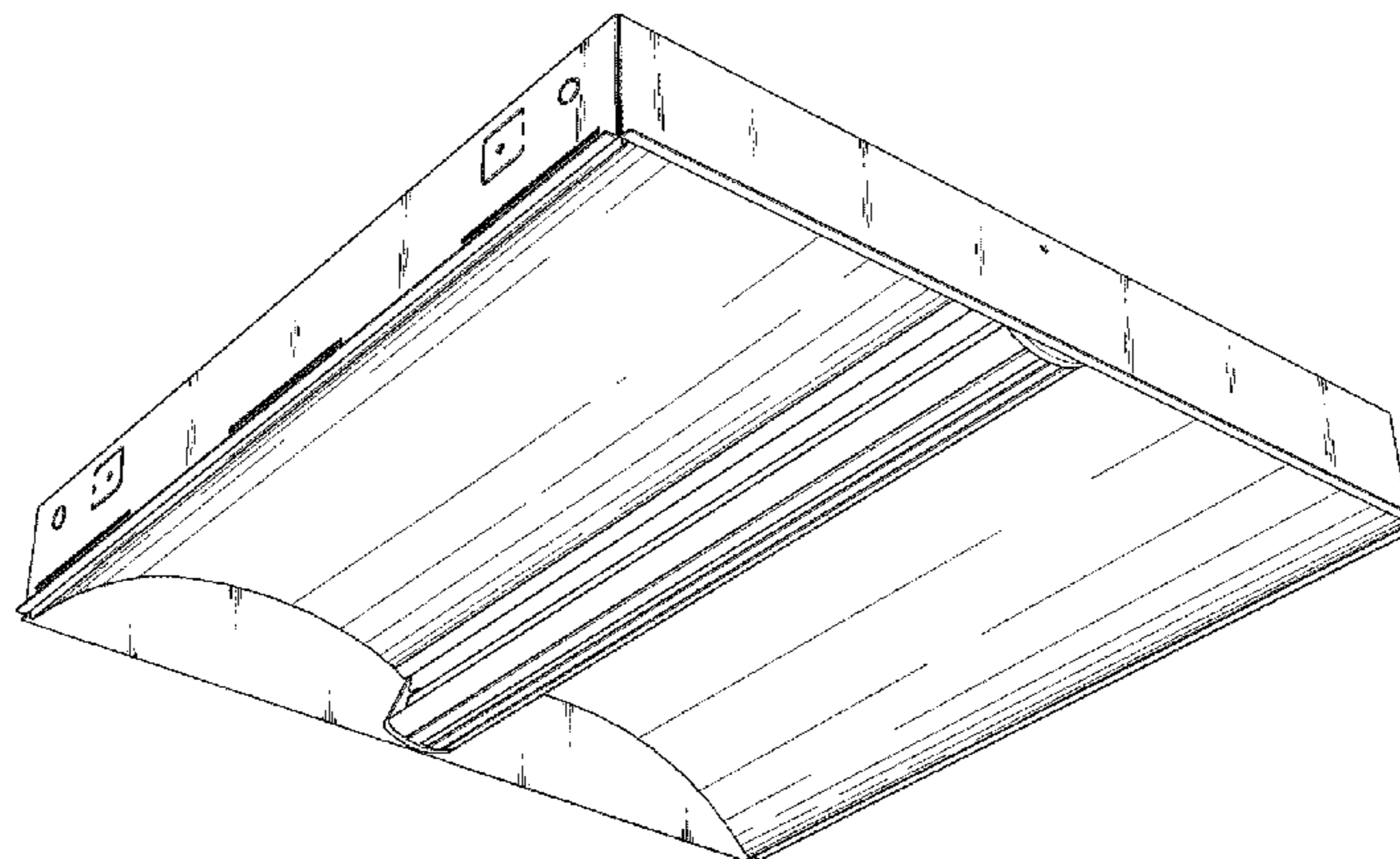


FIG. 1

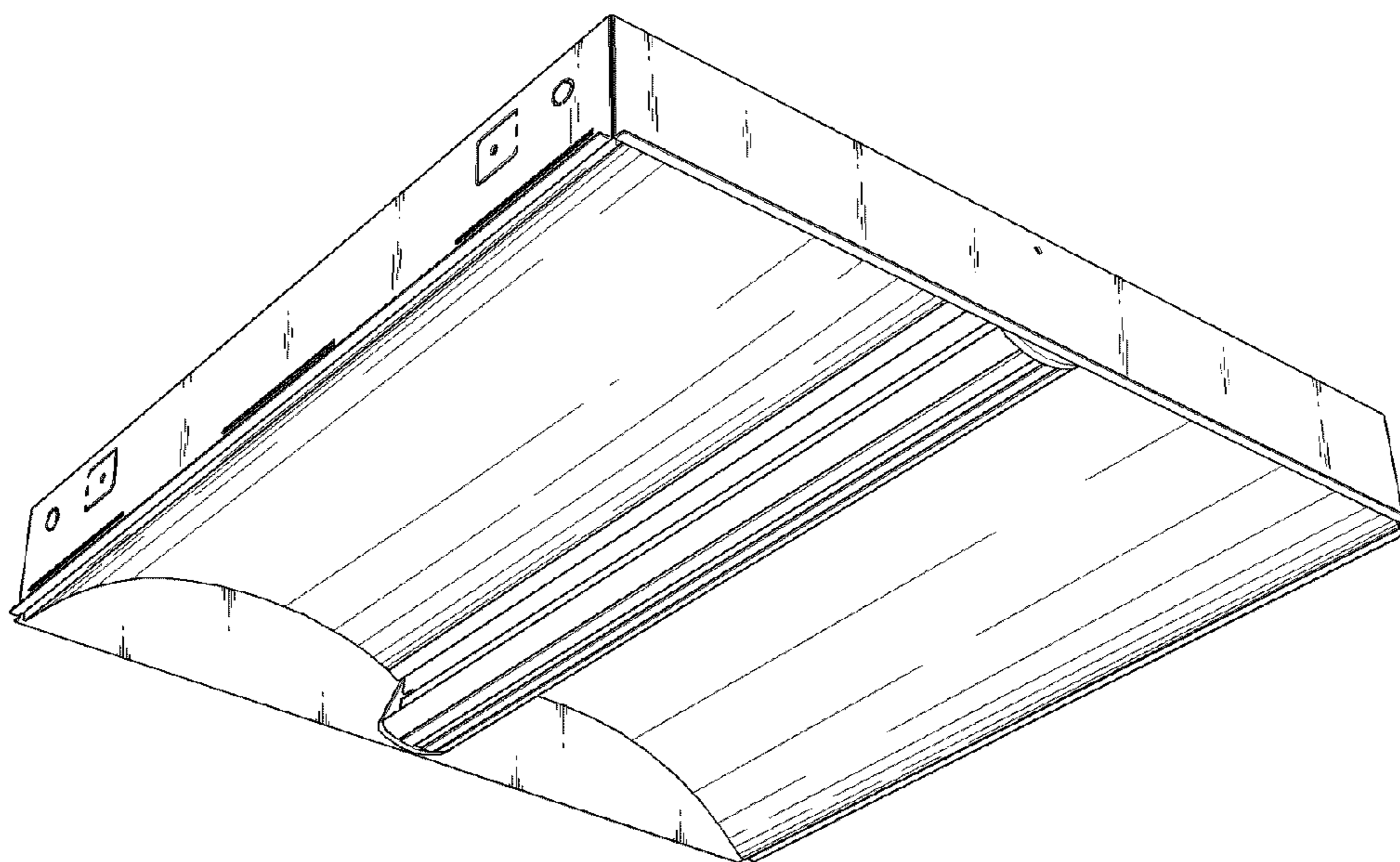


FIG. 2

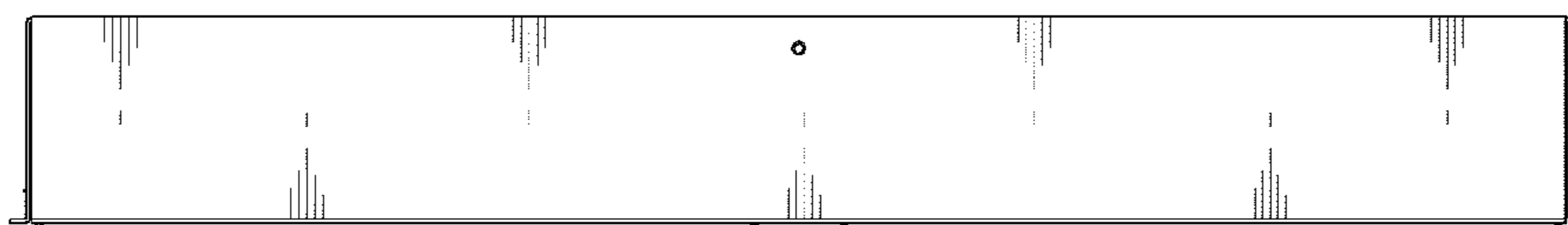


FIG. 3

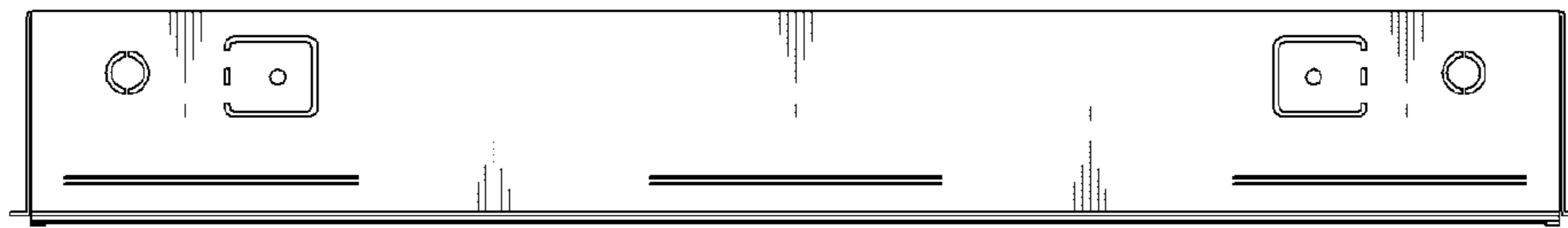


FIG. 4

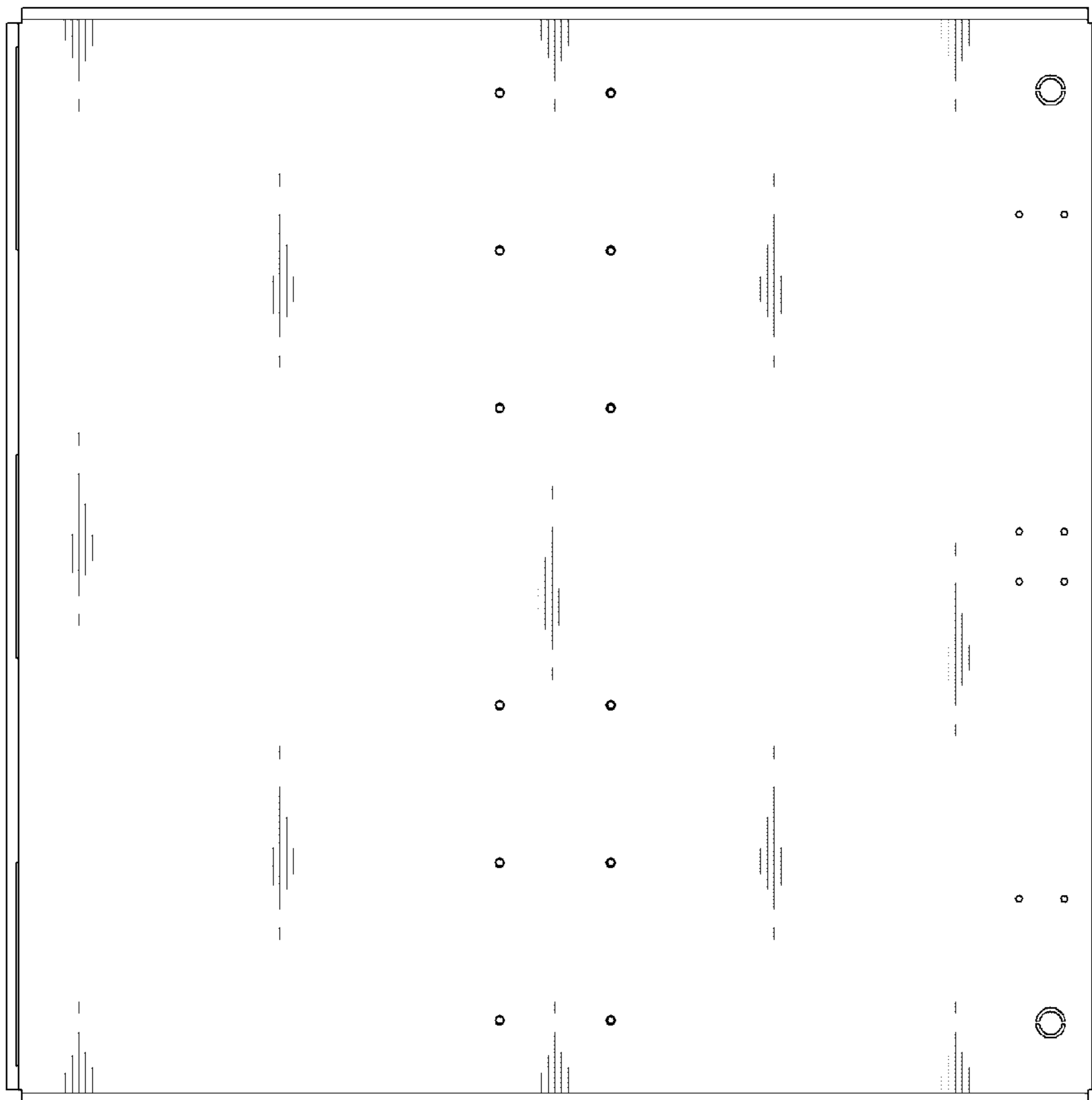


FIG. 5

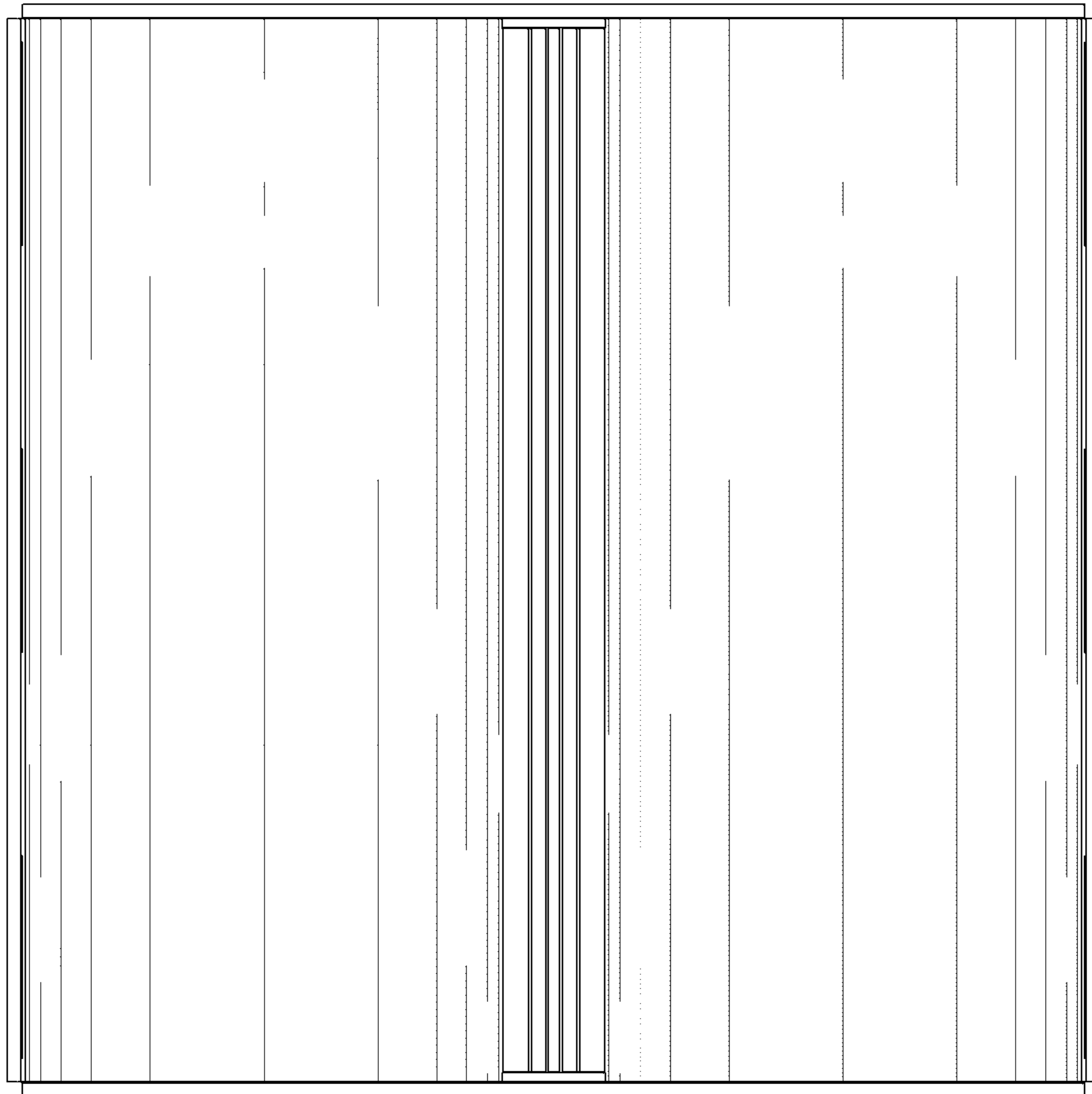


FIG. 6

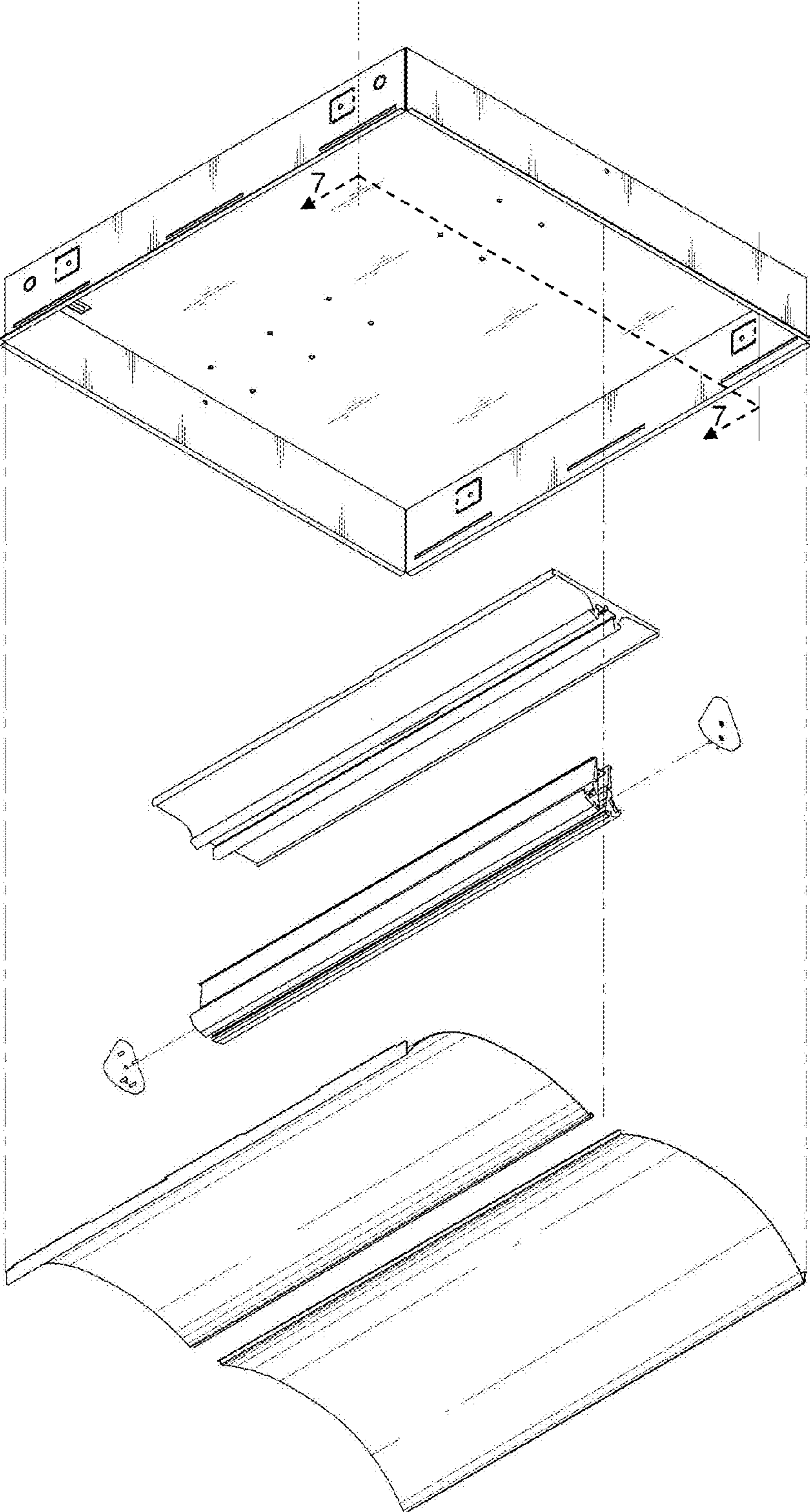


FIG. 7

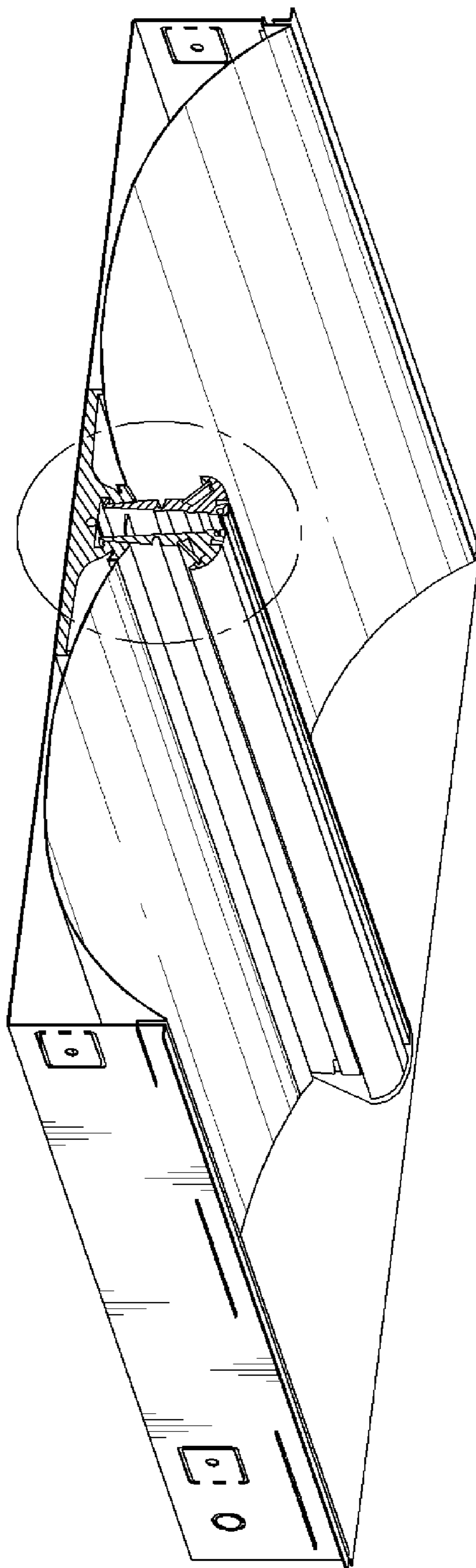


FIG. 8

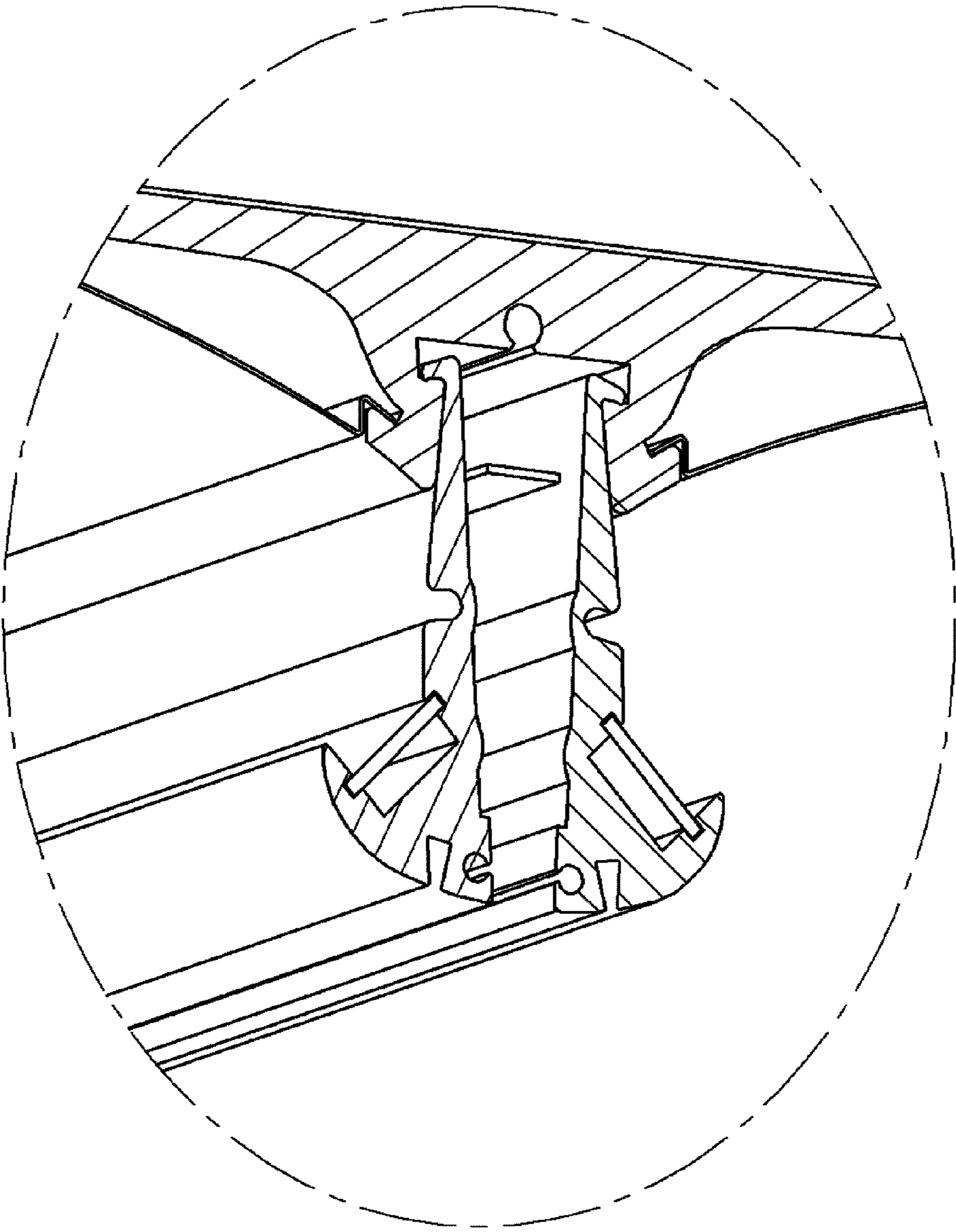


FIG. 9

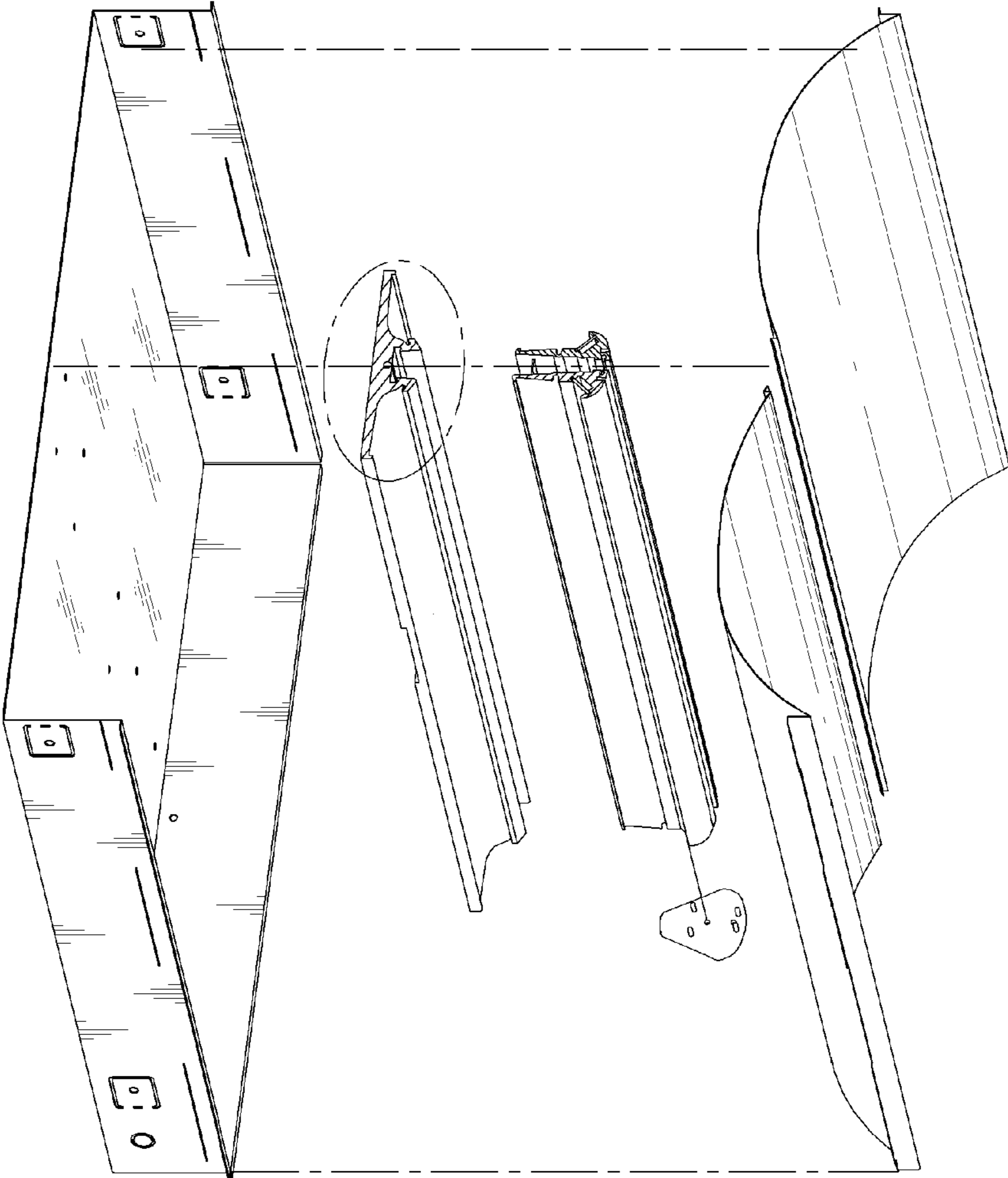


FIG. 10

