



US00D653374S

(12) **United States Design Patent**
Ham

(10) **Patent No.:** **US D653,374 S**
(45) **Date of Patent:** **** Jan. 31, 2012**

(54) **STREET LIGHT**

(75) Inventor: **Richard K. Ham**, Irvine, CA (US)

(73) Assignee: **U.S. Energy Technologies, Inc.**, Irvine, CA (US)

(**) Term: **14 Years**

(21) Appl. No.: **29/383,817**

(22) Filed: **Jan. 21, 2011**

(51) **LOC (9) Cl.** **26-05**

(52) **U.S. Cl.** **D26/71**

(58) **Field of Classification Search** D26/67-71,
D26/92; 362/147, 152, 310, 431, 432
See application file for complete search history.

(56) **References Cited**

U.S. PATENT DOCUMENTS

D192,041 S *	1/1962	Izzi	D26/71
D199,327 S *	10/1964	Guth, Jr.	D26/72
D201,909 S *	8/1965	Harling	D26/71
D264,135 S *	4/1982	Zwillich et al.	D26/71
D346,237 S *	4/1994	Schreder	D26/71
D348,945 S *	7/1994	Mehaffey et al.	D26/71
D572,857 S *	7/2008	Kauffman et al.	D26/71
D609,383 S *	2/2010	Chang	D26/71
D624,685 S	9/2010	Ham et al.		

D631,592 S *	1/2011	Rosas	D26/71
7,866,854 B2 *	1/2011	Orellana et al.	362/310
D641,094 S *	7/2011	Chang	D26/71

OTHER PUBLICATIONS

Fujian Juan Kuang Yaming Electric Limited (JK), Induction Lamp, catalog, 2006.
American Induction Technologies, Inc., Roadway Lighting, 2007.
US Lighting Tech, Induction Lighting, catalog, 2008.

* cited by examiner

Primary Examiner — Clare E Heflin

(74) *Attorney, Agent, or Firm* — Sheppard, Mullin, Richter & Hampton LLP

(57) **CLAIM**

I claim the ornamental design for a street light, as shown and described.

DESCRIPTION

FIG. 1 is a perspective view of a street light embodying my new design.

FIG. 2 is a front elevational view thereof.

FIG. 3 is a rear elevational view thereof.

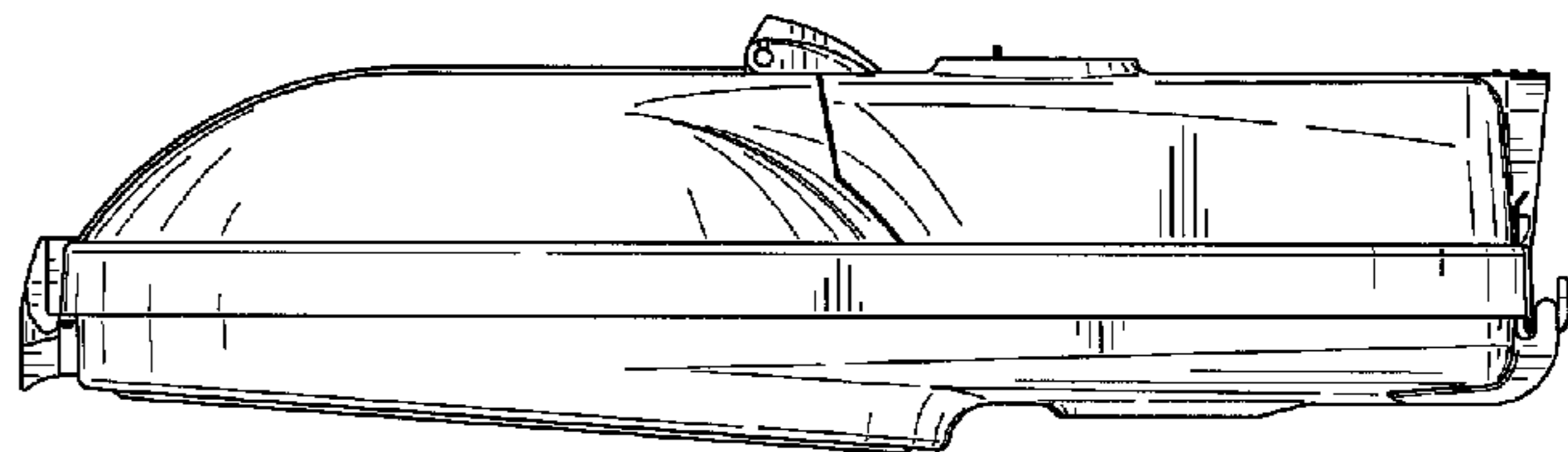
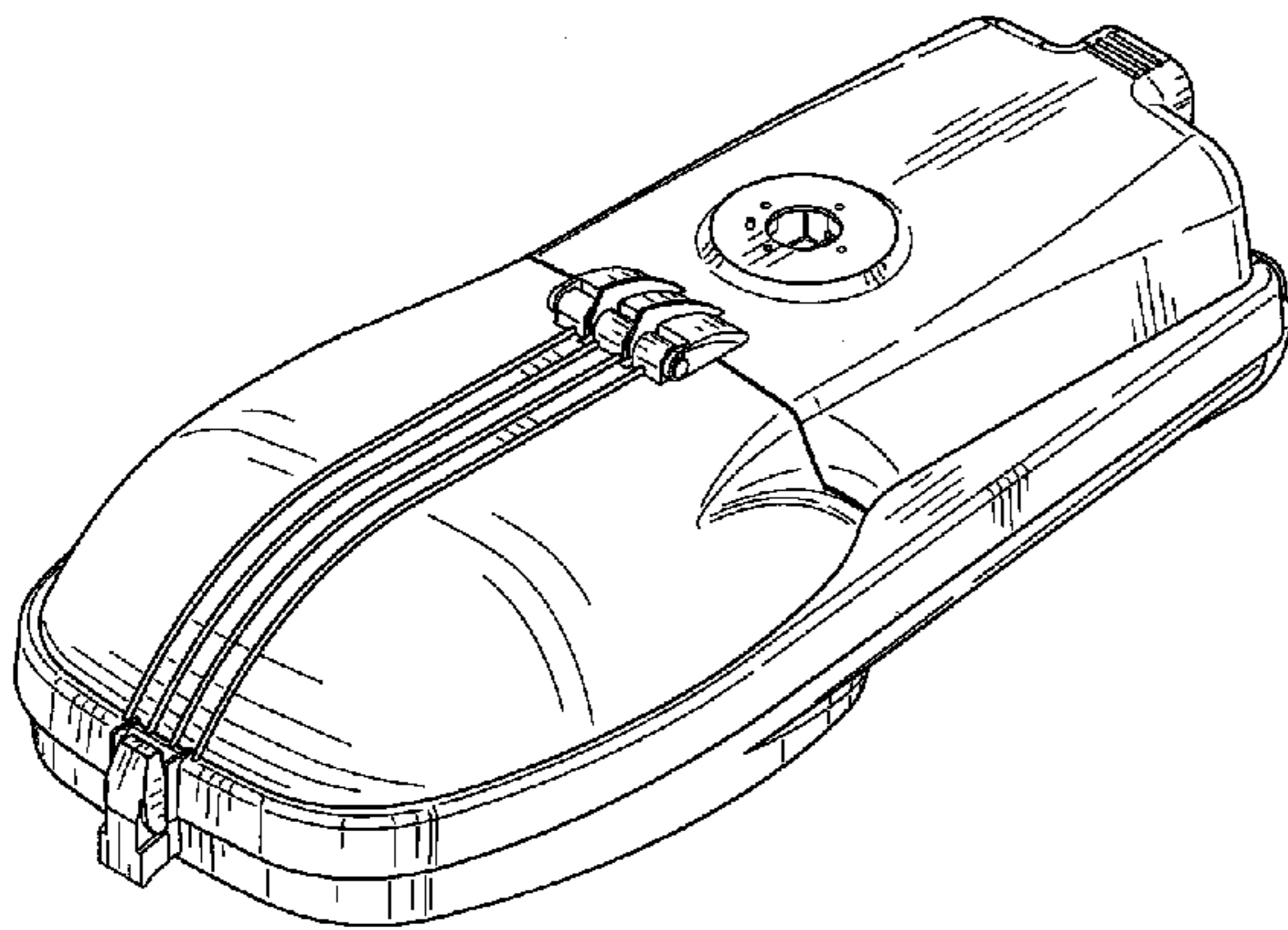
FIG. 4 is a right side elevational view thereof.

FIG. 5 is a left side elevational view thereof.

FIG. 6 is a top plan view thereof; and,

FIG. 7 is a bottom plan view thereof.

1 Claim, 5 Drawing Sheets



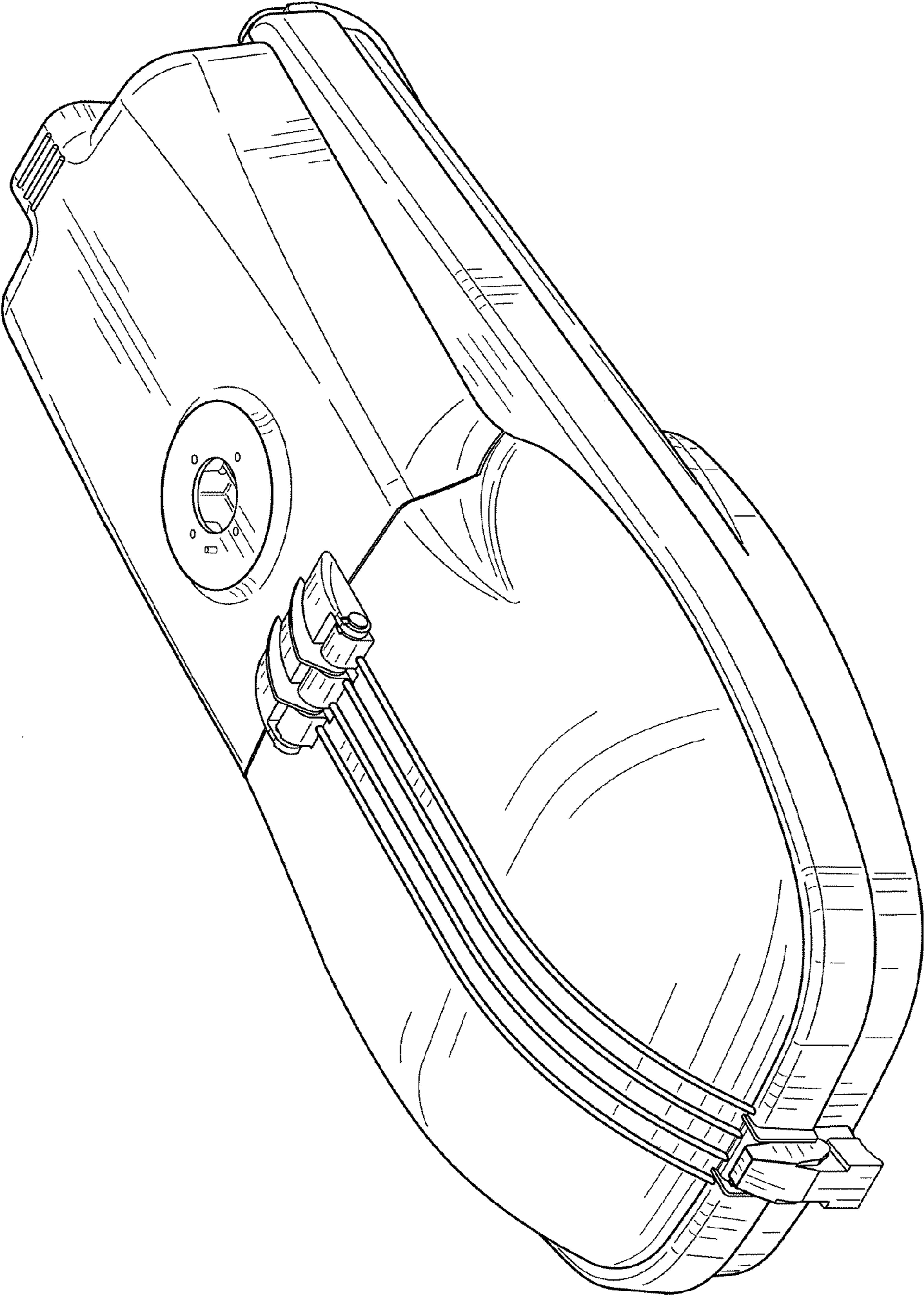


FIG. 1

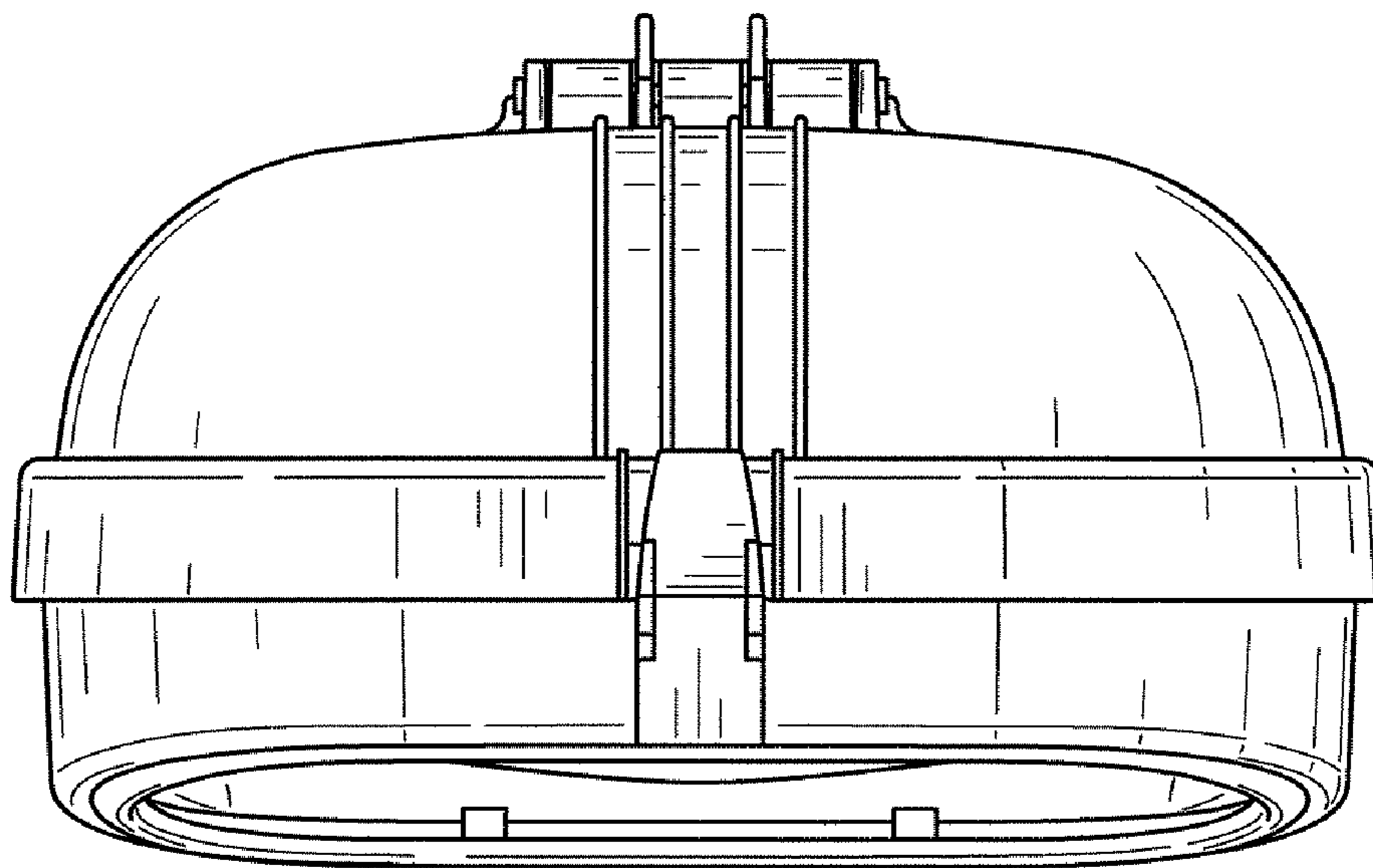


FIG. 2

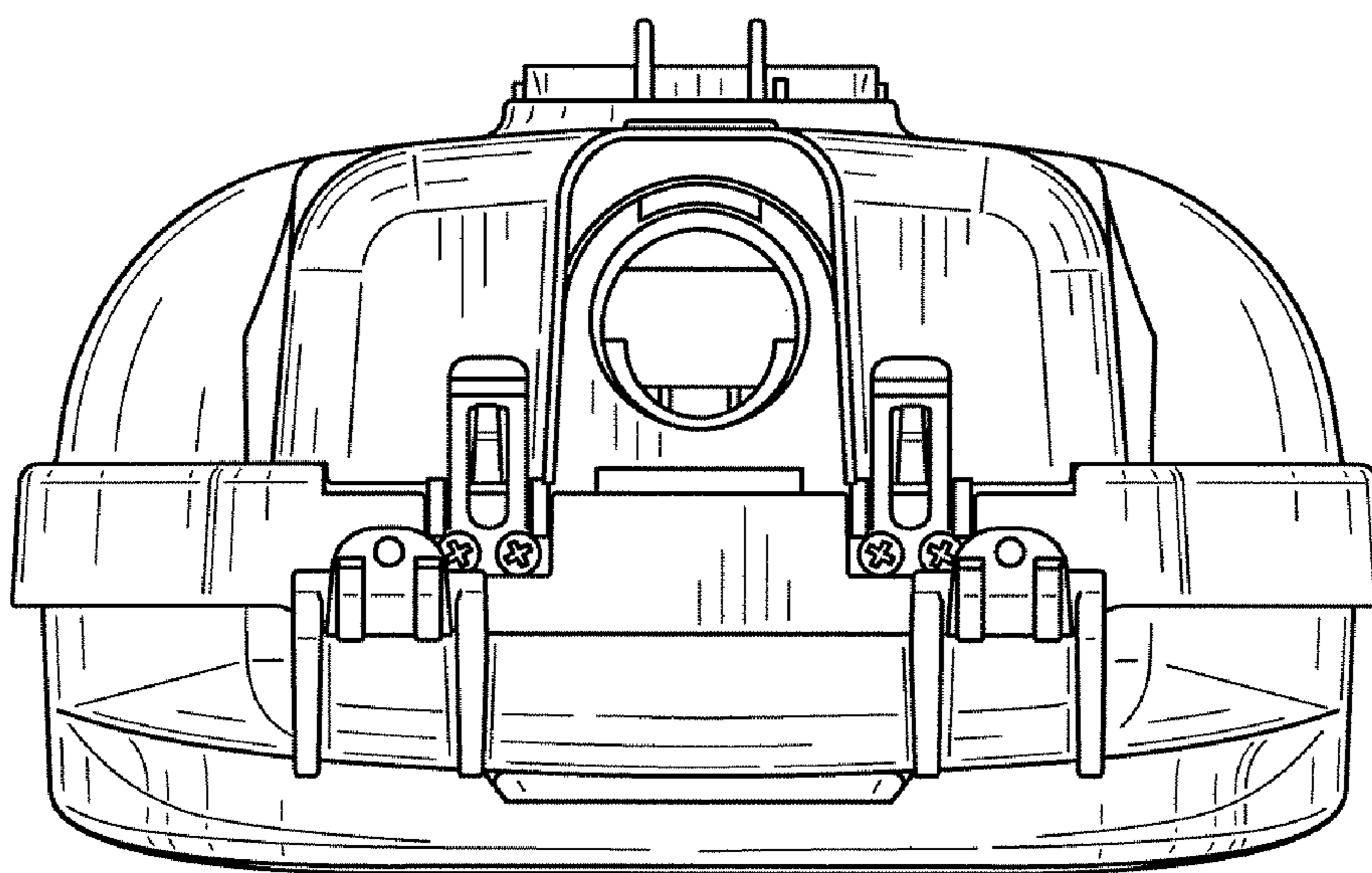


FIG. 3



FIG. 4

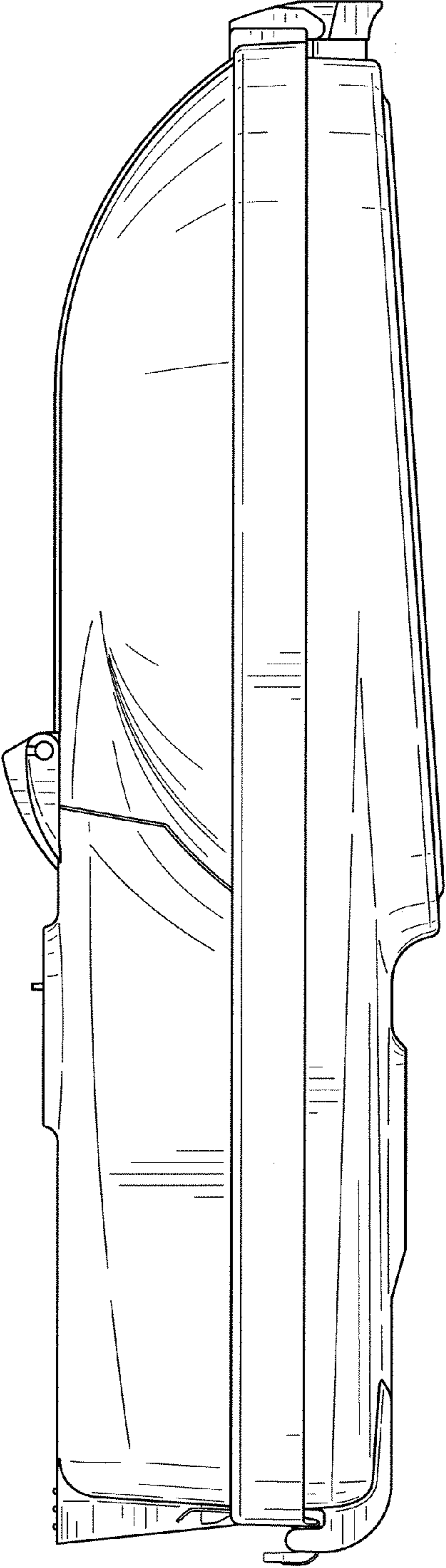


FIG. 5

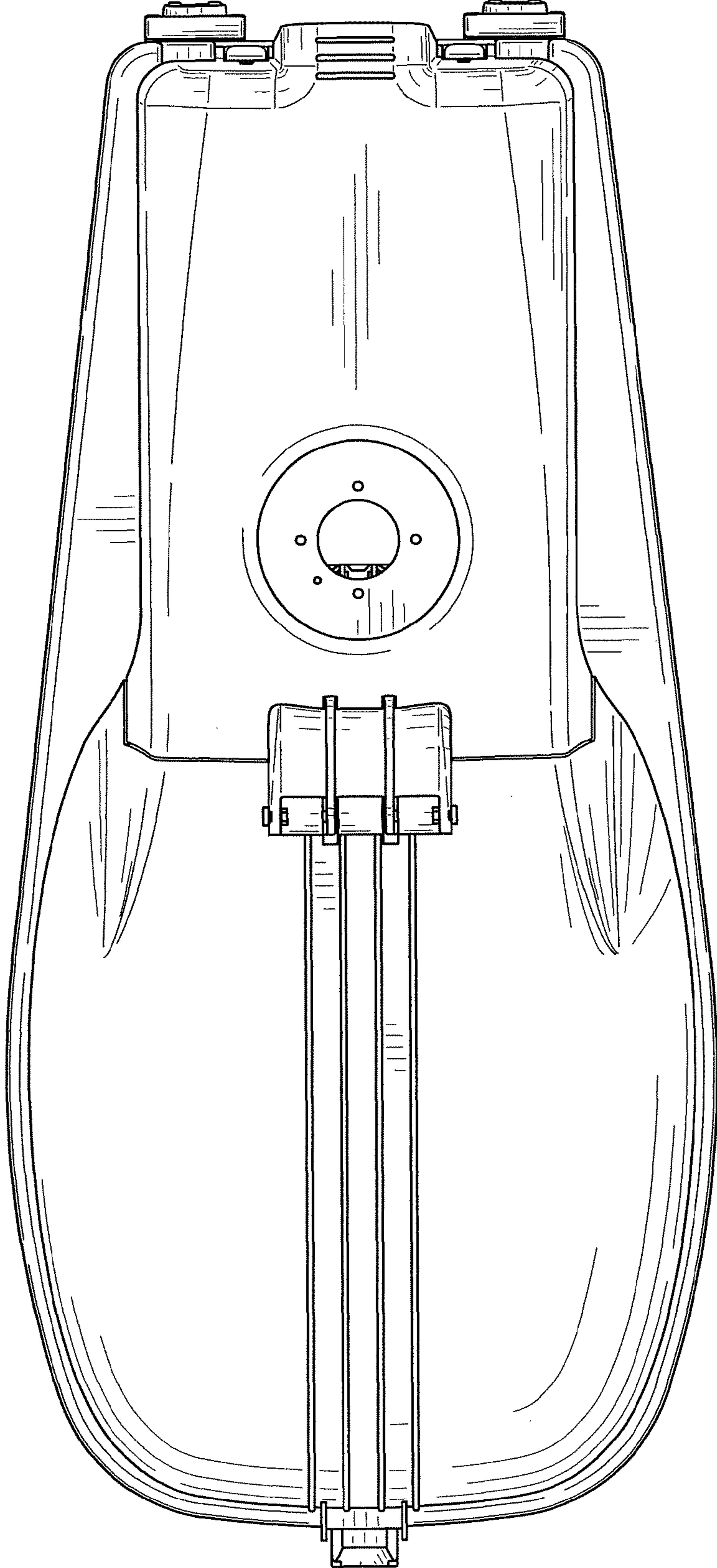


FIG. 6

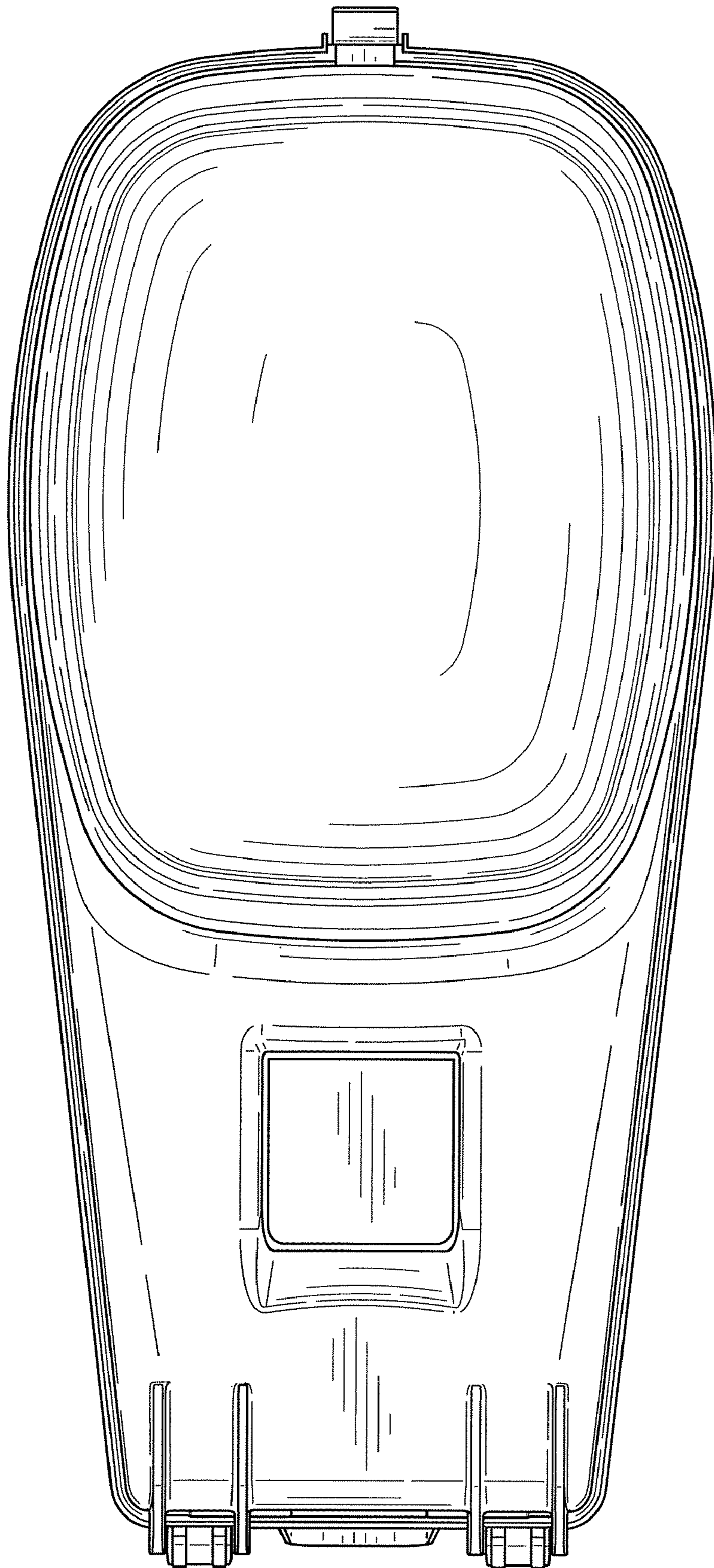


FIG. 7