



US00D653373S

(12) **United States Design Patent**  
**Chen**

(10) **Patent No.:** **US D653,373 S**

(45) **Date of Patent:** **\*\* Jan. 31, 2012**

(54) **MOSAIC LAMP**

(75) Inventor: **Chi Gon Chen**, Guang Zhou (CN)

(73) Assignee: **International Development LLC**,  
Roanoke, TX (US)

(\*\*) Term: **14 Years**

(21) Appl. No.: **29/394,328**

(22) Filed: **Jun. 15, 2011**

(51) **LOC (9) Cl.** ..... **26-05**

(52) **U.S. Cl.** ..... **D26/68**

(58) **Field of Classification Search** ..... D26/67-72,  
D26/85, 128, 130; 362/183, 427, 431, 311.13,  
362/322, 324, 277, 348

See application file for complete search history.

(56) **References Cited**

**U.S. PATENT DOCUMENTS**

|              |         |                |       |         |
|--------------|---------|----------------|-------|---------|
| D73,631 S *  | 10/1927 | Wolter         | ..... | D26/24  |
| D92,538 S *  | 6/1934  | Johnson et al. | ..... | D26/135 |
| D174,139 S * | 3/1955  | Sadler         | ..... | D30/128 |
| D343,021 S * | 1/1994  | Compton et al. | ..... | D26/74  |
| D439,693 S * | 3/2001  | Milicia        | ..... | D26/68  |
| D452,028 S * | 12/2001 | Lee            | ..... | D26/67  |
| D468,471 S * | 1/2003  | Chen           | ..... | D26/67  |
| D494,698 S * | 8/2004  | Hon et al.     | ..... | D26/67  |
| D500,570 S * | 1/2005  | Tsai           | ..... | D26/87  |
| D509,613 S * | 9/2005  | Sooferian      | ..... | D26/67  |
| D533,293 S * | 12/2006 | Chen           | ..... | D26/67  |
| D559,422 S * | 1/2008  | Sooferian      | ..... | D26/68  |

|              |         |          |       |         |
|--------------|---------|----------|-------|---------|
| D601,746 S * | 10/2009 | Sabernig | ..... | D26/120 |
| D615,684 S * | 5/2010  | Chen     | ..... | D26/68  |
| D638,969 S * | 5/2011  | Chen     | ..... | D26/67  |
| D639,989 S * | 6/2011  | Chen     | ..... | D26/67  |
| D640,407 S * | 6/2011  | Chen     | ..... | D26/67  |

\* cited by examiner

*Primary Examiner* — Clare E Heflin

(74) *Attorney, Agent, or Firm* — Brian Harris

(57) **CLAIM**

The ornamental design for a mosaic lamp, as shown and described.

**DESCRIPTION**

FIG. 1 is a perspective view of the mosaic lamp of the present invention, with a stake and plug showing in phantom;

FIG. 2 is a front elevation view thereof, with a stake and plug showing in phantom, the rear elevation view being a mirror image thereof;

FIG. 3 is a left side elevation view thereof, with a stake and plug showing in phantom, the right side elevation view being a mirror image thereof;

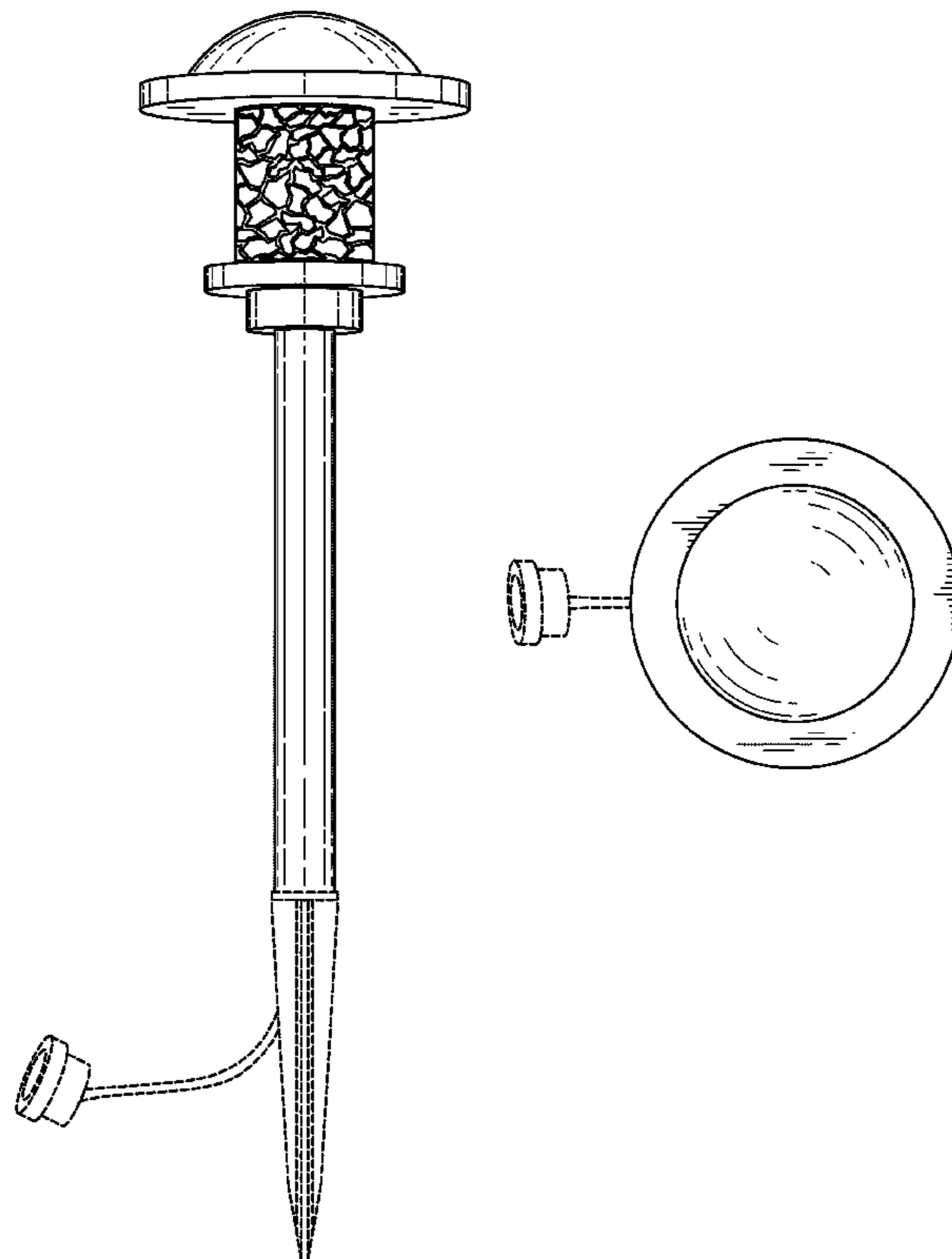
FIG. 4 is a top plan view thereof, with a plug showing in phantom;

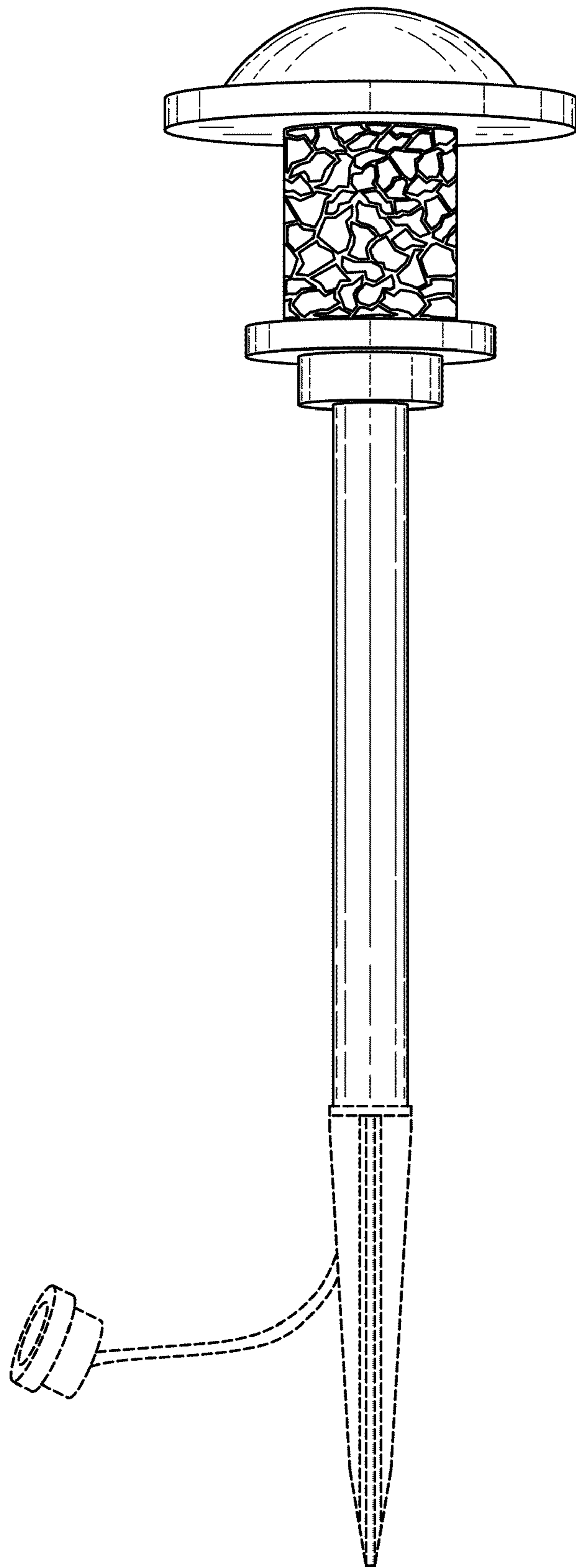
FIG. 5 is a bottom plan view thereof, with a stake and plug showing in phantom; and,

FIG. 6 is a bottom plan view thereof.

The broken lines are shown in the views for illustrative purposes only and form no part of the claimed design.

**1 Claim, 4 Drawing Sheets**





*FIG. 1*

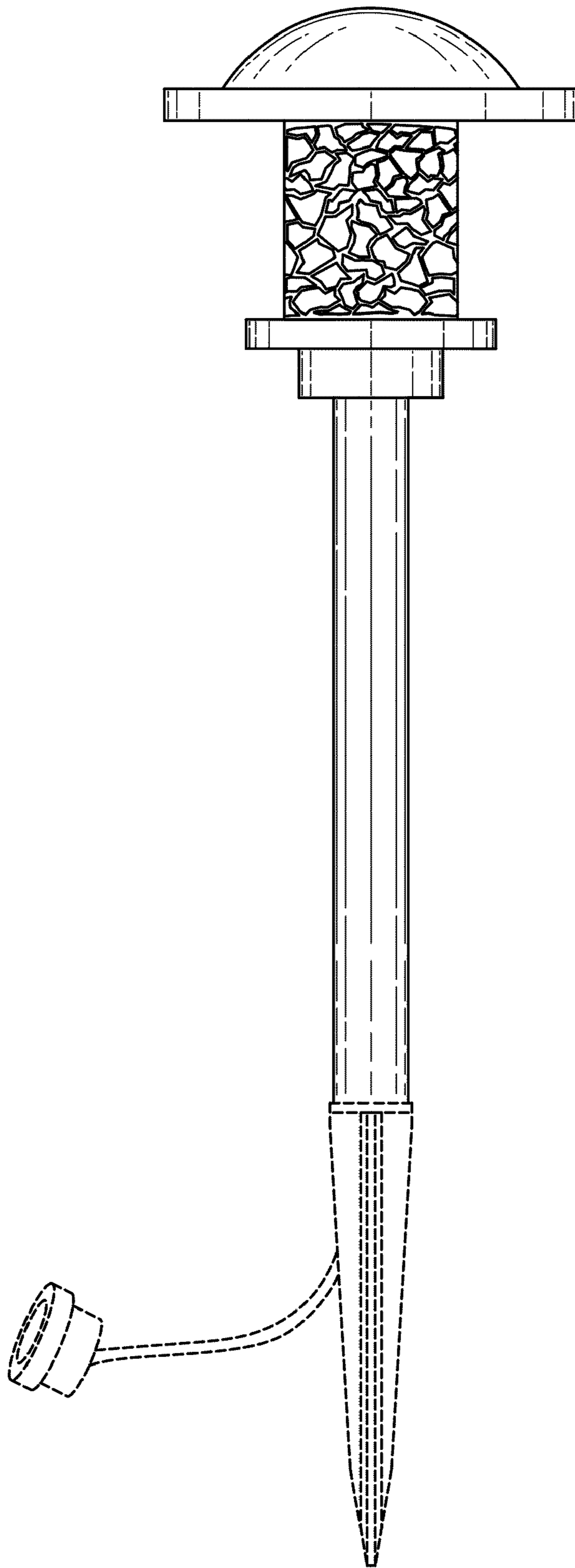


FIG. 2

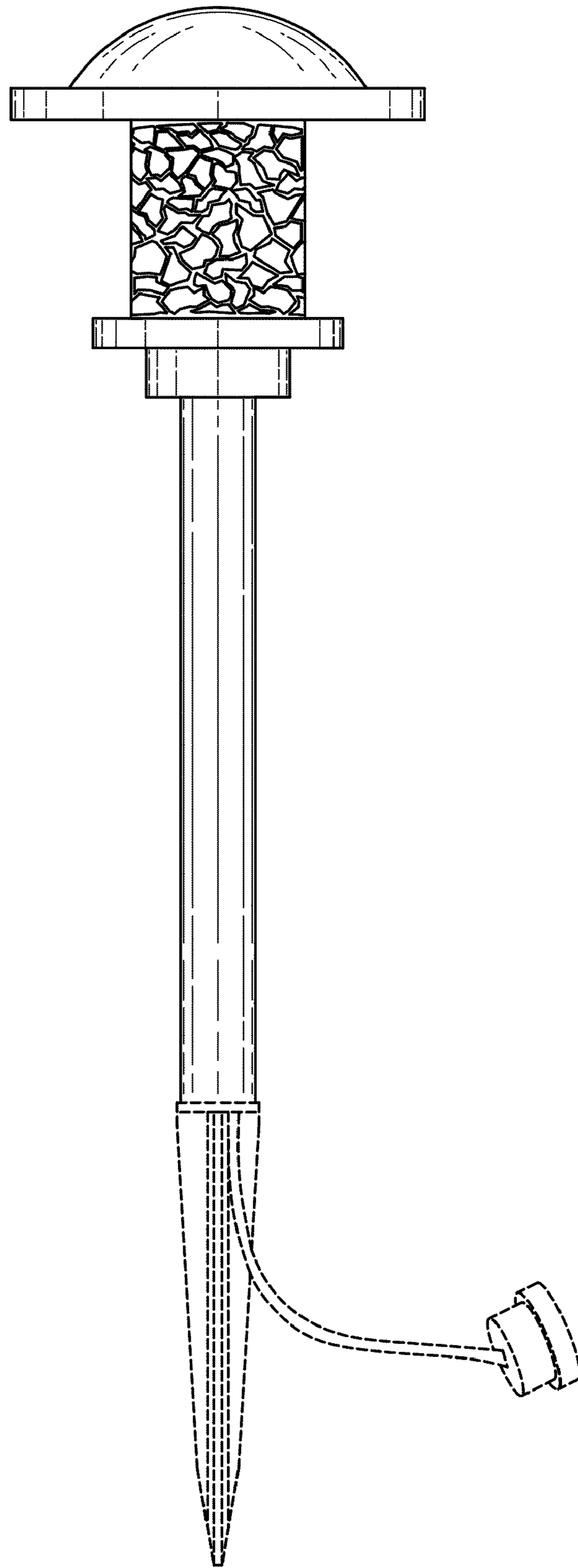


FIG. 3

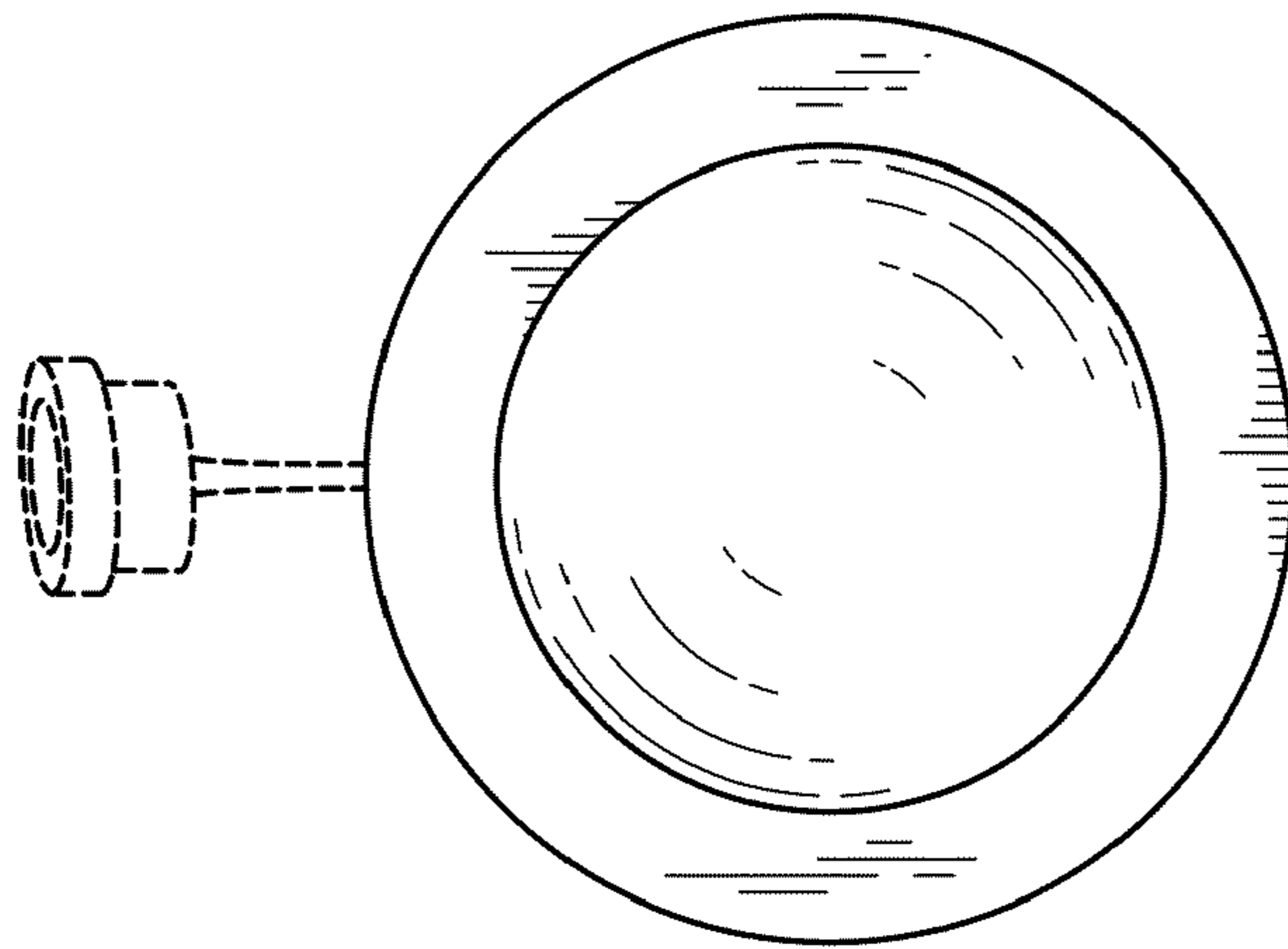


FIG. 4

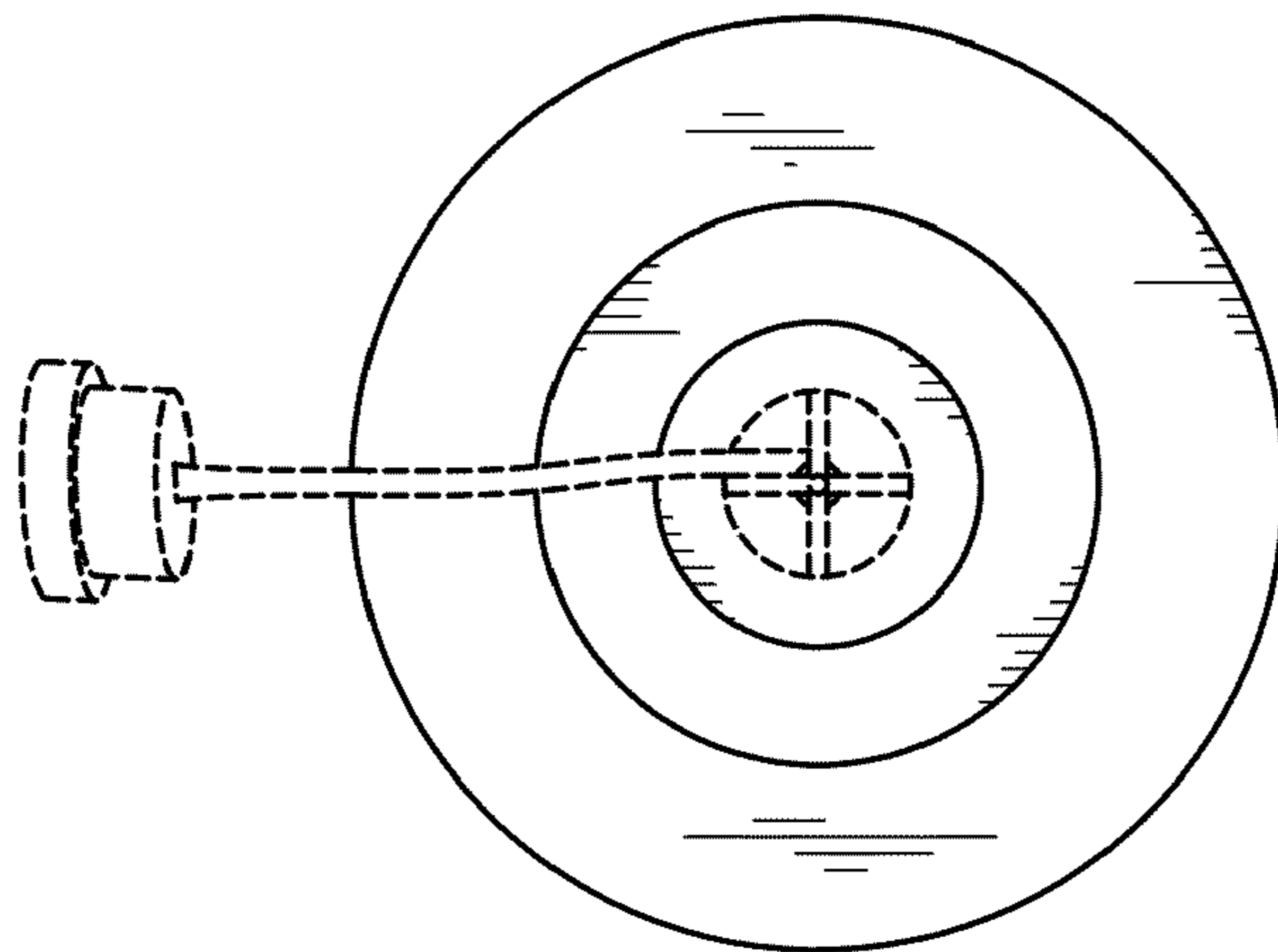


FIG. 5

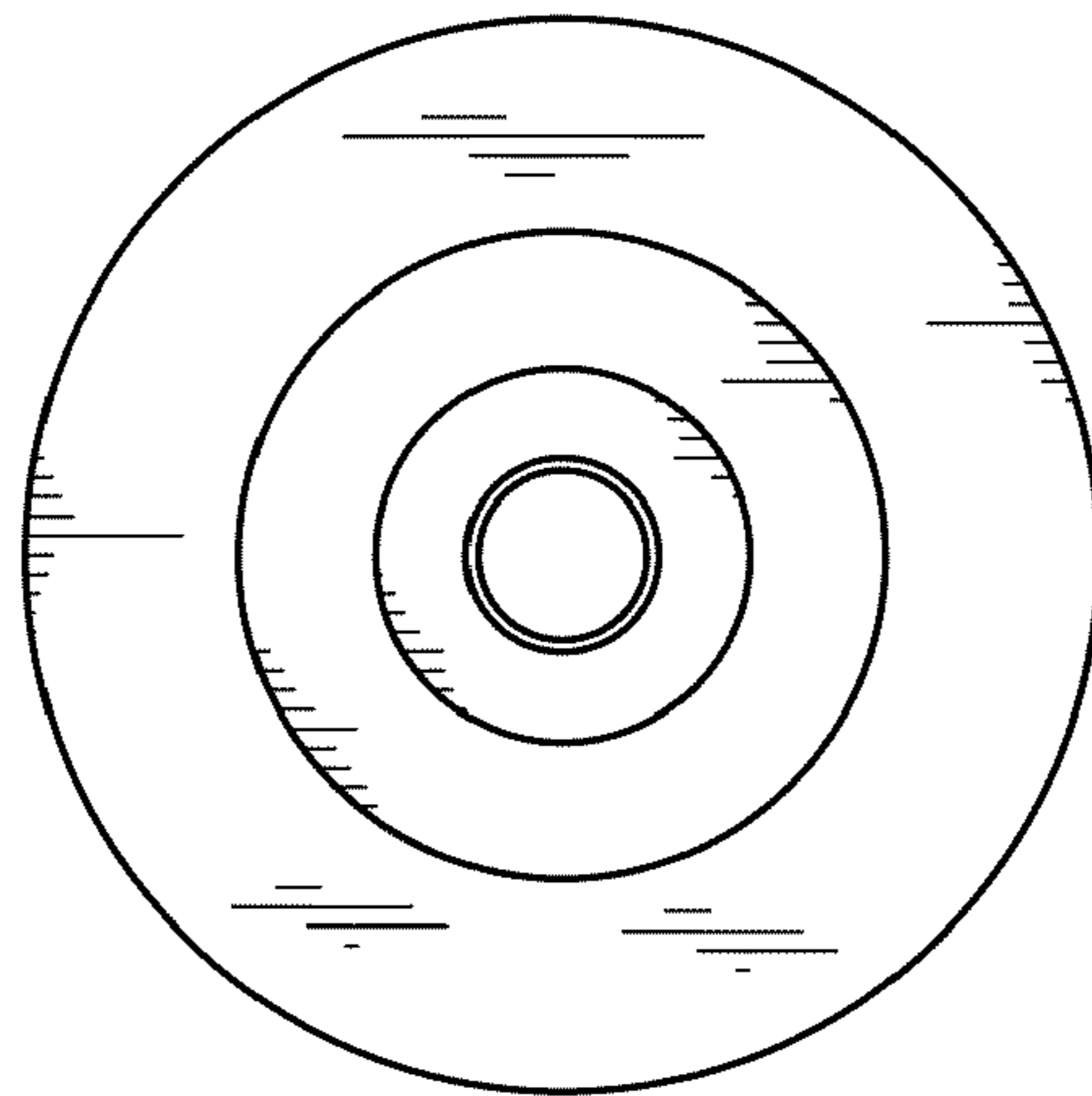


FIG. 6