



US00D653372S

(12) **United States Design Patent**
Feigenbaum

(10) **Patent No.:** **US D653,372 S**

(45) **Date of Patent:** **** Jan. 31, 2012**

(54) **ILLUMINATING PLACARD**
(75) Inventor: **Marvin Feigenbaum**, New York, NY
(US)
(73) Assignee: **Acolyte Technologies Corporation**,
New York, NY (US)
(**) Term: **14 Years**
(21) Appl. No.: **29/350,019**

D357,758 S * 4/1995 Lipps et al. D26/36
D370,072 S 5/1996 Arden
D377,229 S 1/1997 Shalvi
5,685,097 A 11/1997 Marinov
D397,233 S 8/1998 Bassford
D400,406 S 11/1998 House
6,120,162 A 9/2000 Guerrieri
D439,355 S 3/2001 Ford
D443,093 S 5/2001 Chiang
D446,325 S 8/2001 Guerrieri
D447,584 S 9/2001 Guerrieri
D470,891 S * 2/2003 Grosz D20/41
D472,339 S 3/2003 Russello et al.

(Continued)

(22) Filed: **Nov. 10, 2009**

(51) **LOC (9) Cl.** **26-05**

(52) **U.S. Cl.** **D26/51**

(58) **Field of Classification Search** D26/31,
D26/38, 51, 52, 56; D20/10, 19, 21, 22,
D20/26, 39, 99; D6/403, 470-472; D9/432;
40/409, 430, 431, 440, 477, 602, 603, 606.18,
40/612, 645, 661.05, 661.11; 362/812, 97.1,
362/98, 125, 157, 190, 253, 367, 458
See application file for complete search history.

(56) **References Cited**

U.S. PATENT DOCUMENTS

D104,851 S * 6/1937 Hammer D20/10
D106,292 S * 10/1937 Hammer D20/10
D124,524 S * 1/1941 Beniof D20/10
D143,901 S * 2/1946 Dwiggins D20/21
D143,903 S * 2/1946 Dwiggins D20/21
3,836,766 A 9/1974 Auerbach
D234,155 S 1/1975 Gellert
4,006,614 A * 2/1977 Decker 70/63
4,265,039 A * 5/1981 Brooks 40/603
D285,456 S * 9/1986 Wiens D20/39
D291,360 S 8/1987 De Vos et al.
4,860,177 A 8/1989 Simms
D319,078 S * 8/1991 Hector, Sr. D20/21
D331,638 S 12/1992 Vamberszky et al.
5,307,250 A 4/1994 Pearson
D348,535 S 7/1994 Burnett
D349,778 S 8/1994 Johnson et al.

OTHER PUBLICATIONS

Japanese Patent Office, Office Action in connection with design application serial No. D 2010-013870, rejecting the subject design based on the publication of the product on Amazon.com (see attached photograph) on Jun. 22, 2009.

Primary Examiner — Ian Simmons

Assistant Examiner — Carissa C Fitts

(74) *Attorney, Agent, or Firm* — Gottlieb, Rackman & Reisman PC

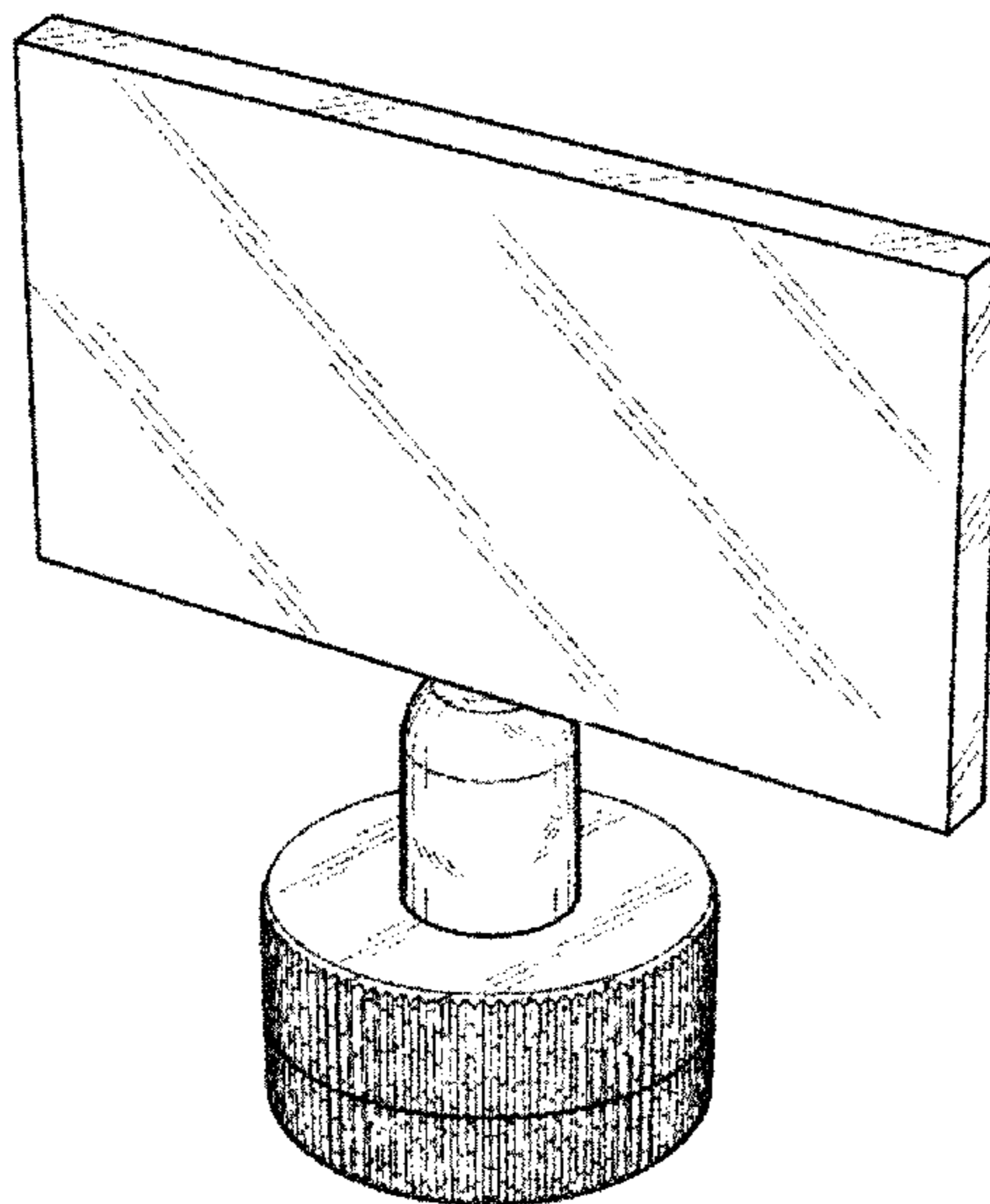
(57) **CLAIM**

The ornamental design for an illuminating placard, as shown and described.

DESCRIPTION

FIG. 1 is a top, front and right side perspective view of an illuminating placard showing my new design;
FIG. 2 is a front elevational view thereof, the rear elevational view being a mirror image;
FIG. 3 is a right side view thereof, the left side view being a mirror image;
FIG. 4 is a top plan view thereof; and,
FIG. 5 is a bottom plan view thereof.

1 Claim, 3 Drawing Sheets



US D653,372 S

Page 2

U.S. PATENT DOCUMENTS								
D482,469	S	11/2003	Guerrieri	D562,492	S	2/2008	Chen	
6,641,283	B1	11/2003	Bohler	D573,292	S	7/2008	Zheng et al.	
D485,004	S	1/2004	Olson	D586,491	S	2/2009	Levine	
D489,578	S	5/2004	Lai	D590,098	S	4/2009	Campbell	
D495,818	S	9/2004	Shieh	D598,053	S	* 8/2009	Sanchez	D20/19
6,840,654	B2	1/2005	Guerrieri et al.	D598,583	S	8/2009	Levine	
D501,573	S	2/2005	Benensohn	D604,880	S	11/2009	Lovegrove	
6,848,807	B2	2/2005	Guerrieri	D610,733	S	2/2010	Chang	
6,848,808	B2	2/2005	Guerrieri	D615,231	S	5/2010	van Klinken	
6,857,771	B2	2/2005	Guerrieri	D616,590	S	5/2010	Huang et al.	
6,900,735	B2	5/2005	Guerrieri et al.	D618,268	S	* 6/2010	Takahashi et al.	D16/241
D510,639	S	10/2005	Brady	D620,187	S	7/2010	Quadri	
D528,996	S	9/2006	Egawa	D636,441	S	* 4/2011	Potts	D20/19
D543,245	S	* 5/2007	Feibelman et al.	D642,298	S	* 7/2011	Feigenbaum	D26/24
		 D20/22					* cited by examiner

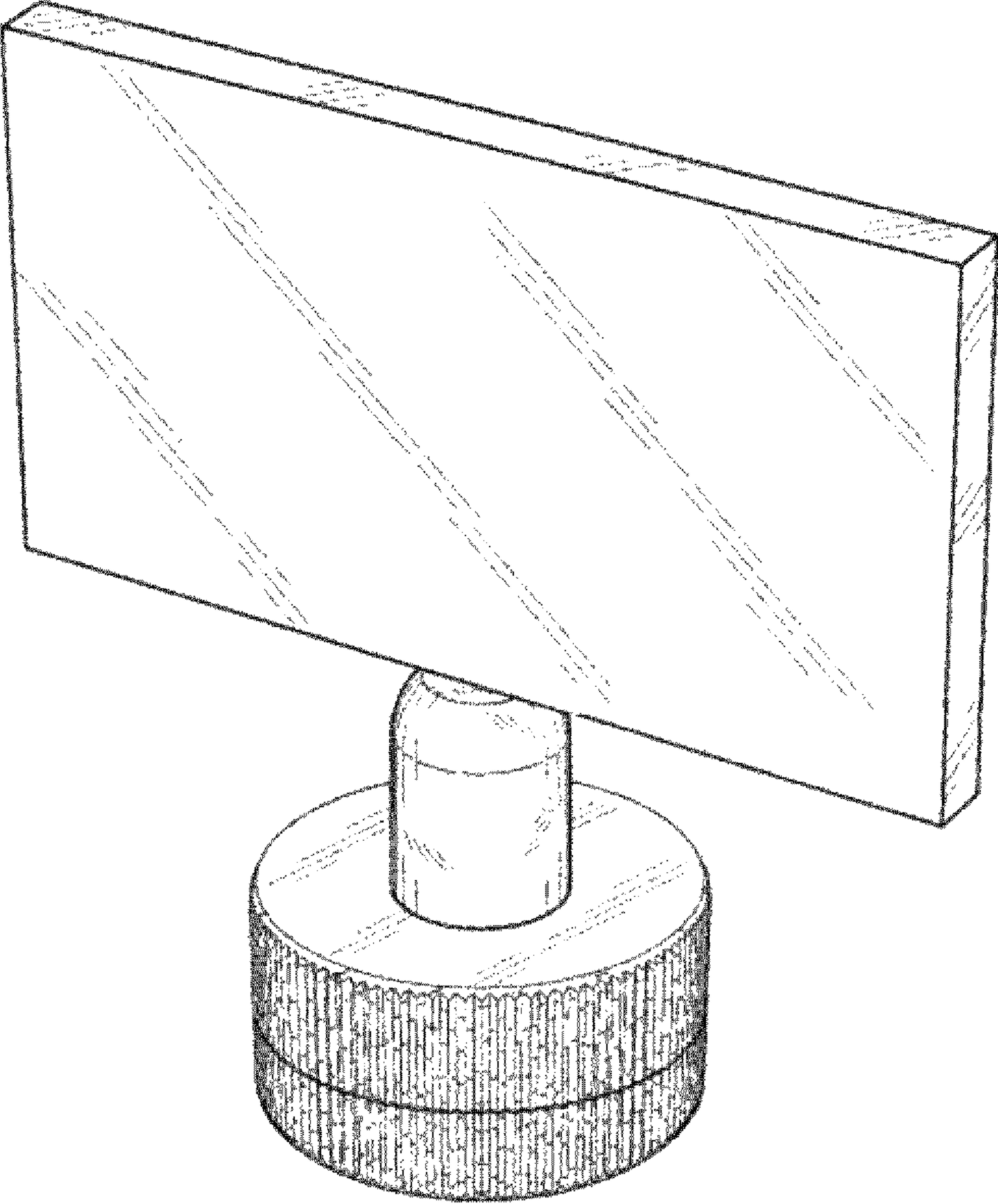


FIG. 1

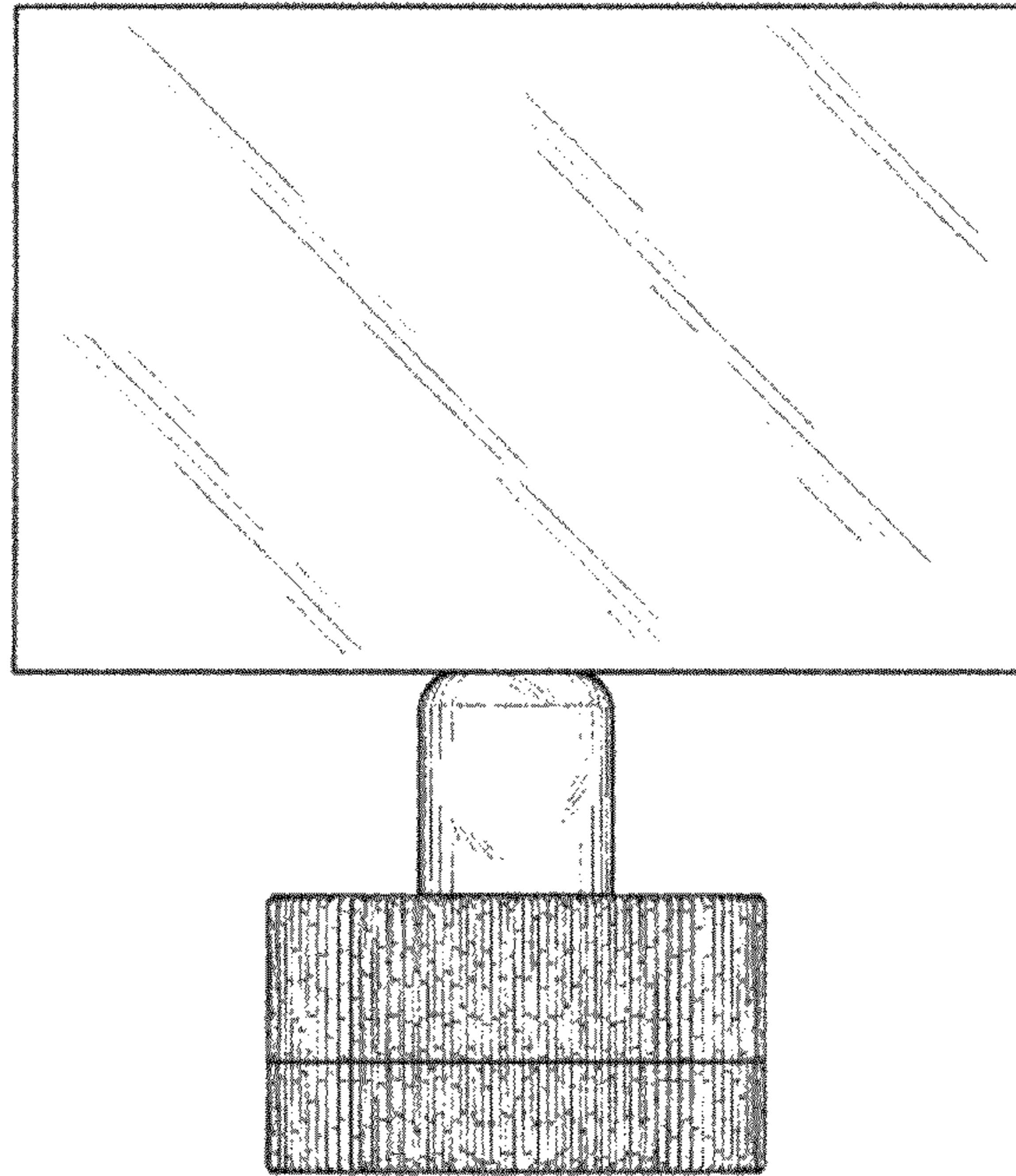


FIG. 2

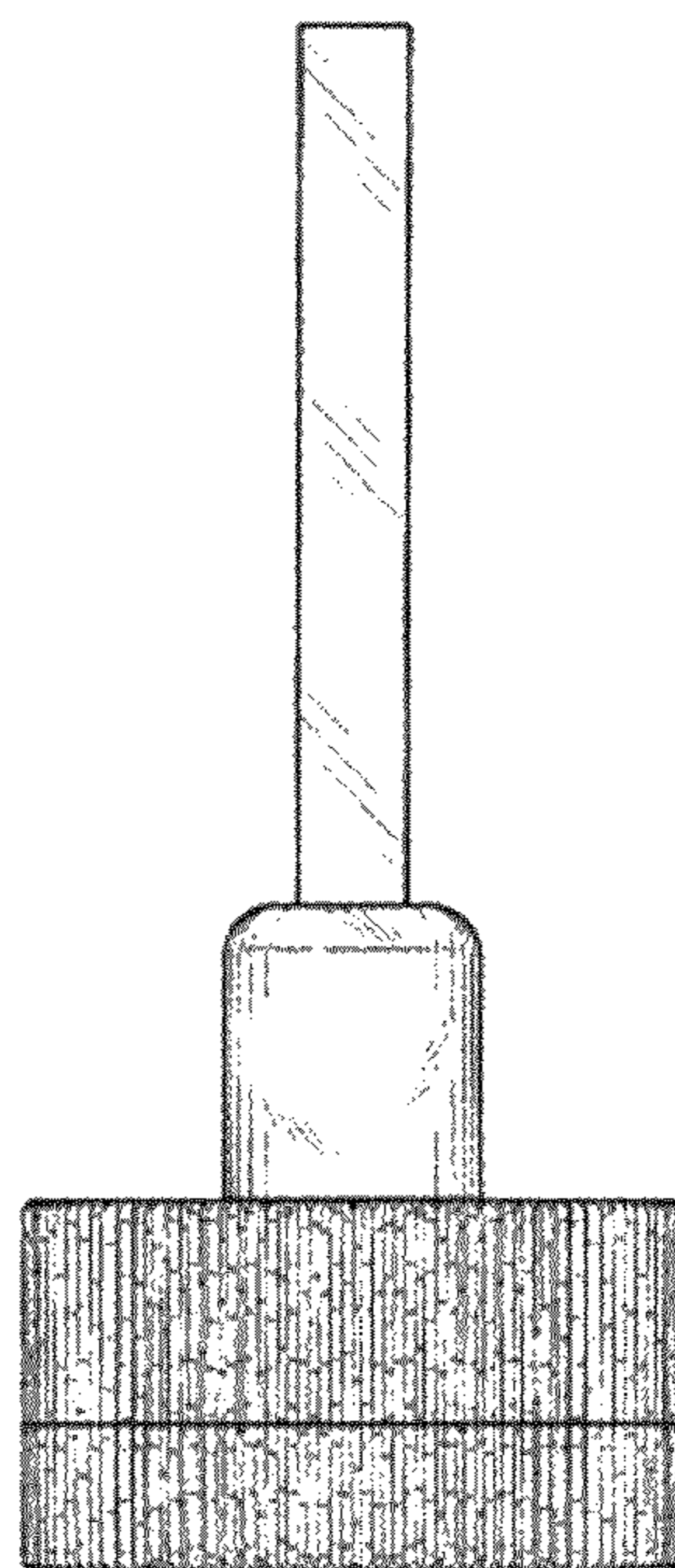


FIG. 3

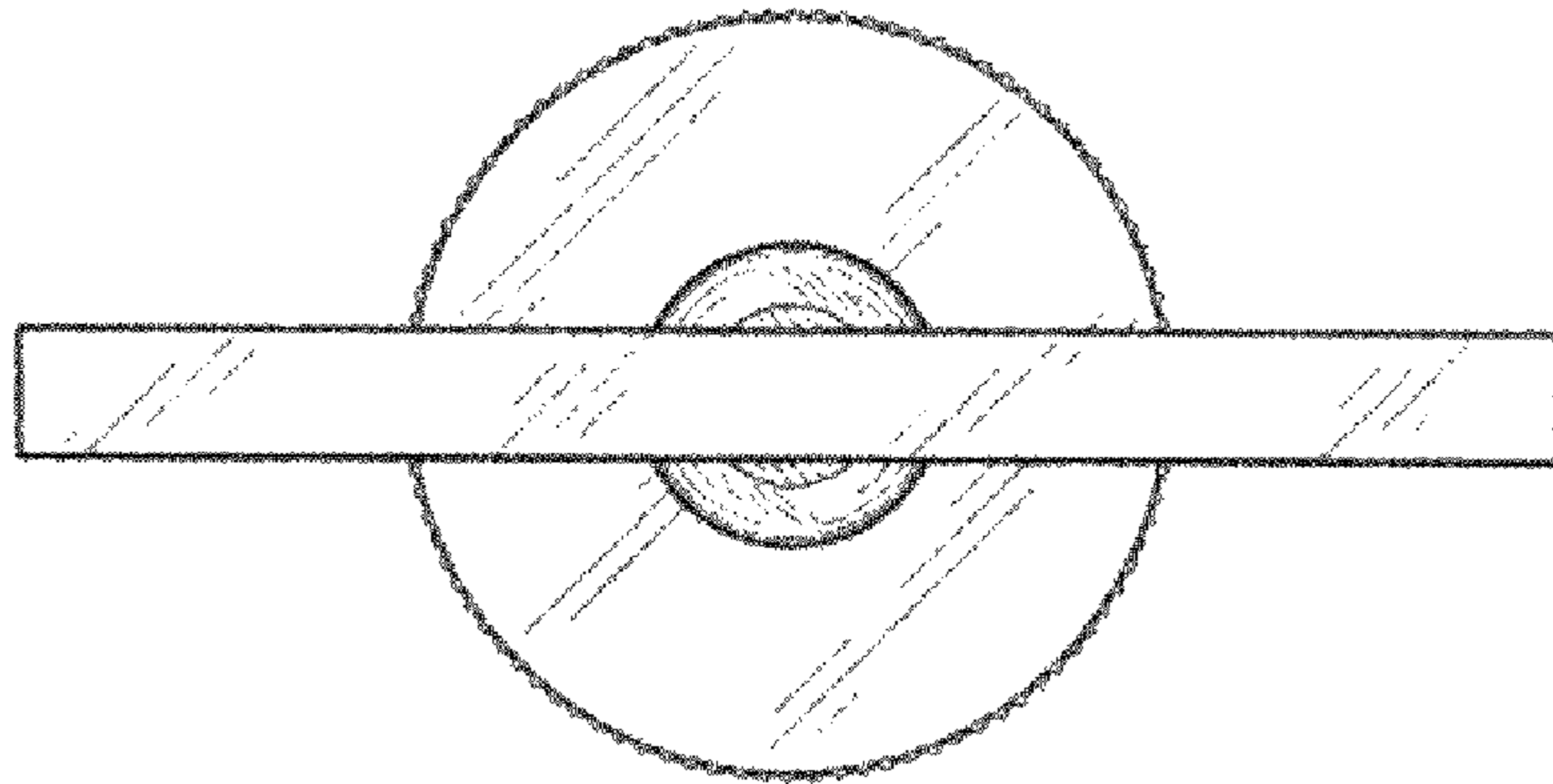


FIG. 4

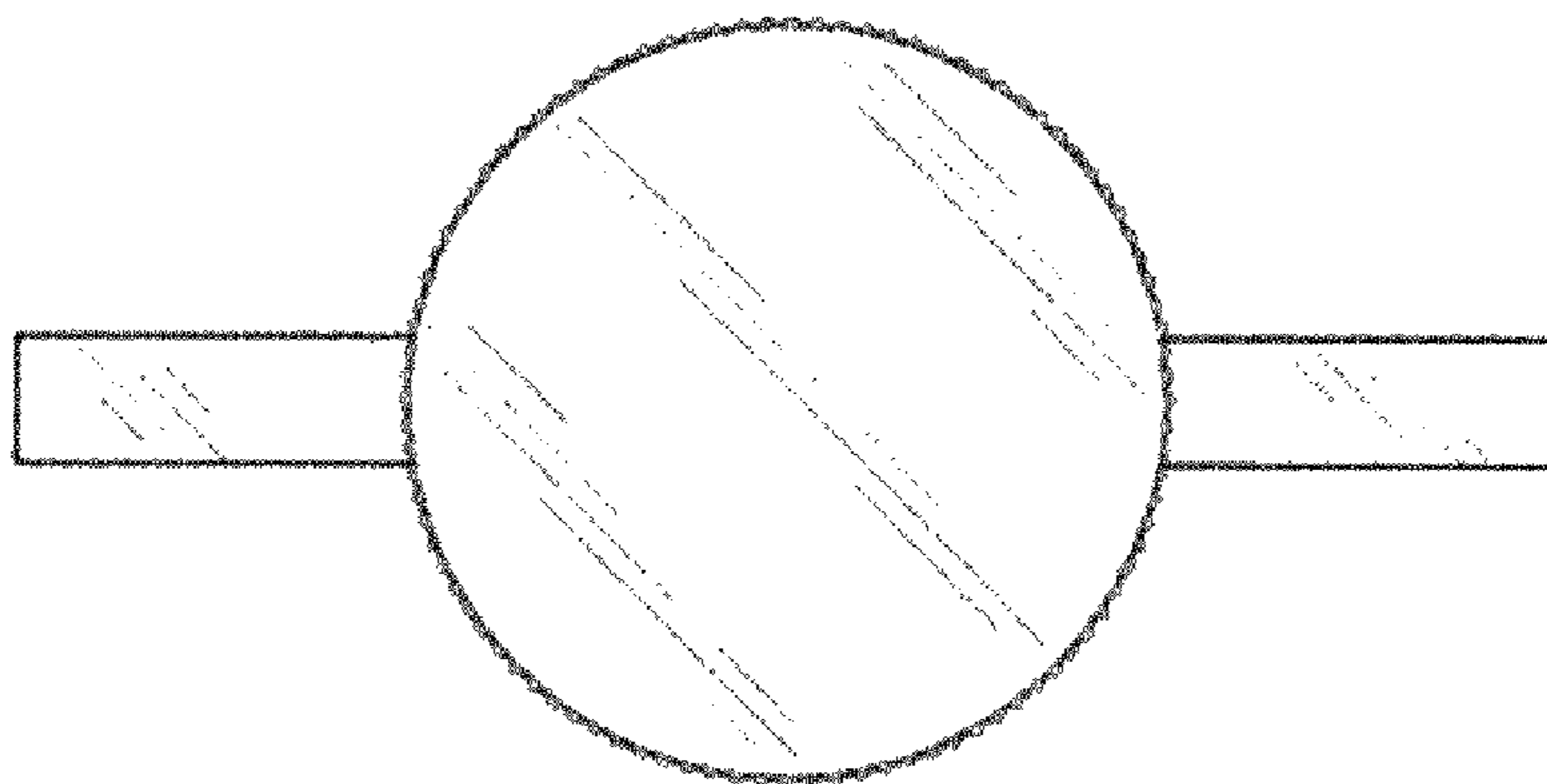


FIG. 5