



US00D653371S

(12) **United States Design Patent**  
**Compton**

(10) **Patent No.:** **US D653,371 S**  
(45) **Date of Patent:** **\*\* Jan. 31, 2012**

(54) **BOLLARD LIGHTING**  
(75) Inventor: **Wayne Compton**, Chino Hills, CA (US)  
(73) Assignee: **U.S. Pole Company, Inc.**, Palmdale, CA (US)

D541,968 S \* 5/2007 Tortel ..... D26/67  
D551,790 S \* 9/2007 Richmond ..... D26/67  
D561,365 S \* 2/2008 Huff ..... D26/37  
D598,575 S \* 8/2009 Stice ..... D25/126  
D599,938 S \* 9/2009 Sabernig ..... D26/67  
D605,330 S \* 12/2009 Miranda ..... D26/85  
D614,333 S \* 4/2010 Schnitzer ..... D26/37

(\*\*) Term: **14 Years**  
(21) Appl. No.: **29/346,961**

\* cited by examiner

*Primary Examiner* — Ian Simmons

*Assistant Examiner* — Carissa C Fitts

(22) Filed: **Nov. 9, 2009**

(74) *Attorney, Agent, or Firm* — Christie, Parker & Hale, LLP

(51) **LOC (9) Cl.** ..... **26-05**

(52) **U.S. Cl.** ..... **D26/51**

(58) **Field of Classification Search** ..... D26/37,  
D26/38, 51, 67-71, 85, 87, 92; 362/152,  
362/183, 147, 131; D25/126

(57) **CLAIM**

The ornamental design for bollard lighting, as shown and described.

See application file for complete search history.

**DESCRIPTION**

(56) **References Cited**

FIG. 1 is a perspective view of the bollard lighting according to the present invention;

FIG. 2 is a front view of the bollard lighting of FIG. 1;

FIG. 3 is a left side view of the bollard lighting of FIG. 1, the right side being a mirror image thereof;

FIG. 4 is a back view of the bollard lighting of FIG. 1;

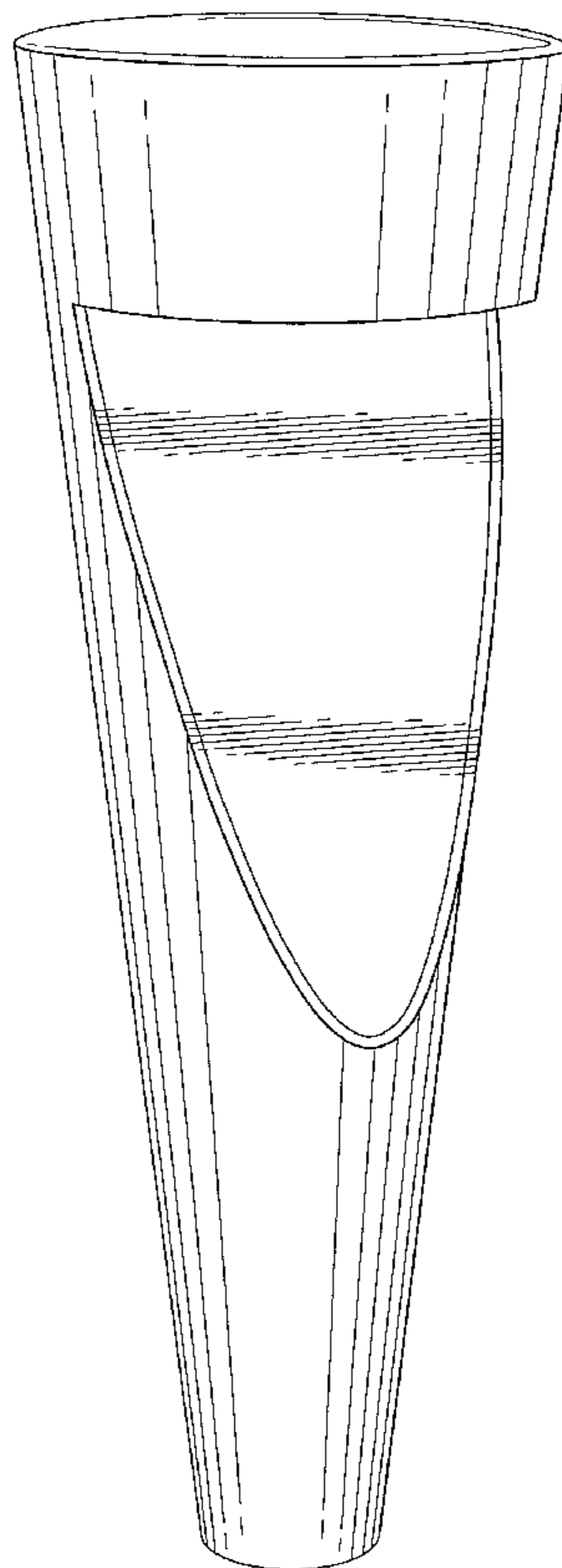
FIG. 5 is a top view of the bollard lighting of FIG. 1; and,

FIG. 6 is a bottom view of the bollard lighting of FIG. 1.

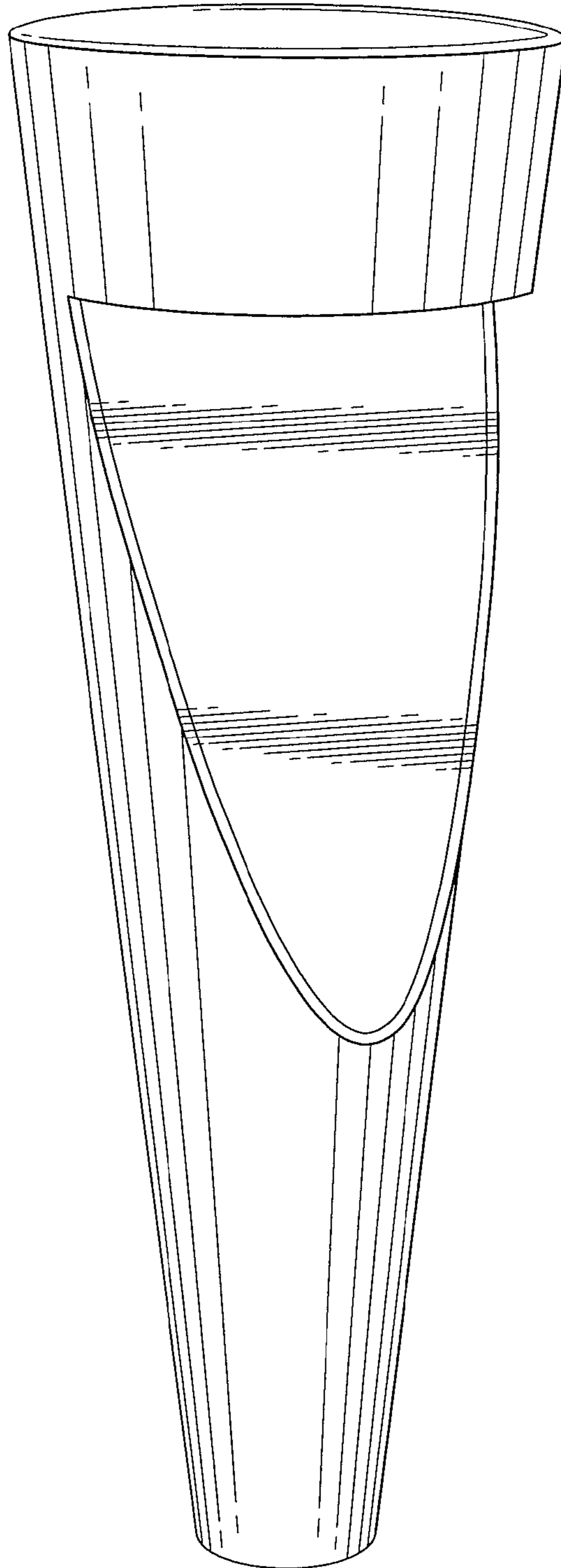
U.S. PATENT DOCUMENTS

D393,089 S \* 3/1998 Metchear, III ..... D26/68  
D398,412 S \* 9/1998 Metchear, III ..... D26/68  
D407,508 S \* 3/1999 Chiu ..... D26/37  
D430,313 S \* 8/2000 Webb ..... D25/126  
D438,313 S \* 2/2001 Tam ..... D26/37  
D438,322 S \* 2/2001 Skradski et al. .... D26/68  
D443,094 S \* 5/2001 Landefeld ..... D26/68

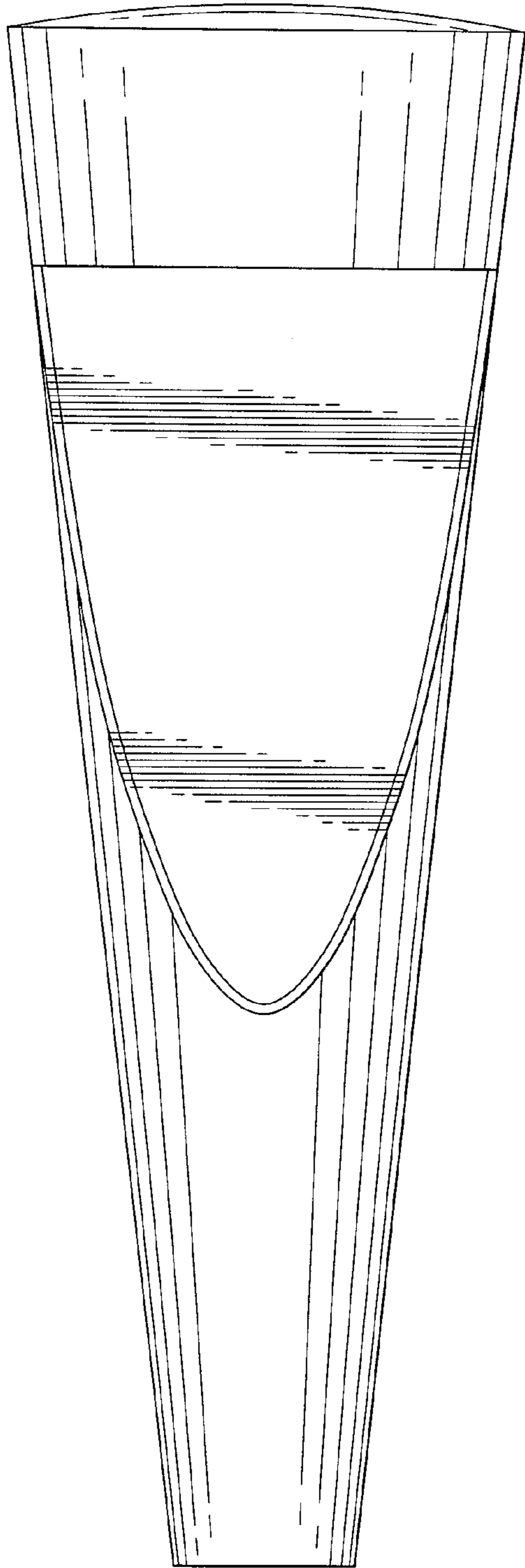
**1 Claim, 3 Drawing Sheets**



*FIG. 1*



*FIG. 2*



*FIG. 3*

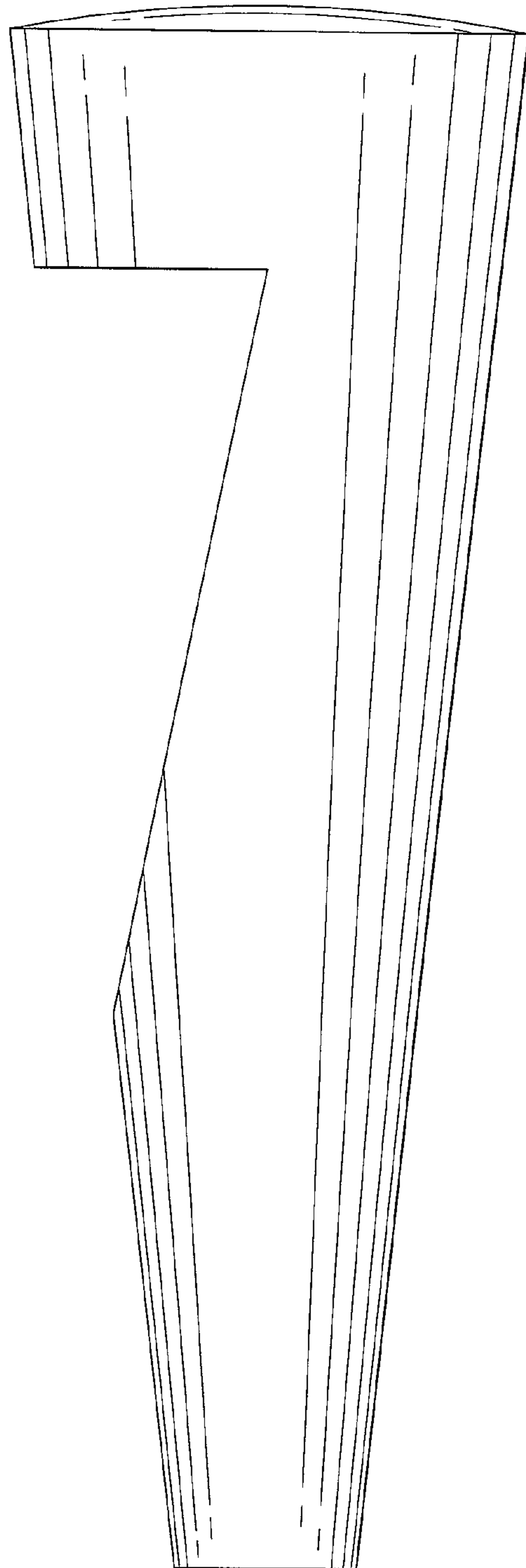


FIG. 4

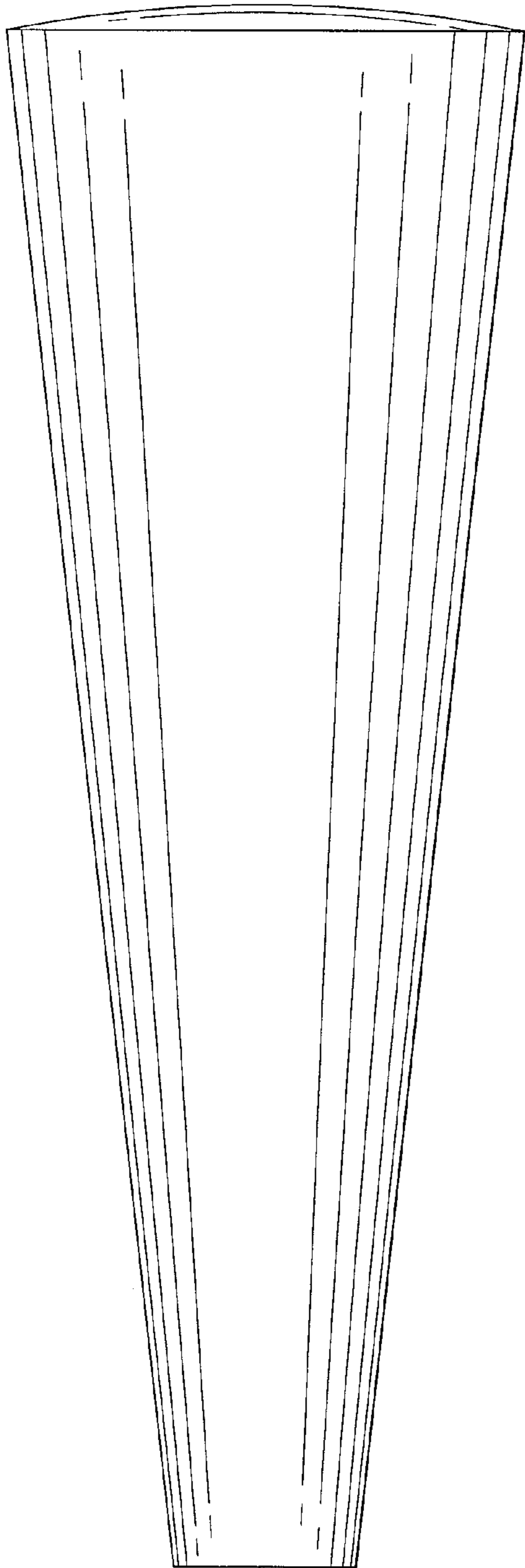


FIG. 5

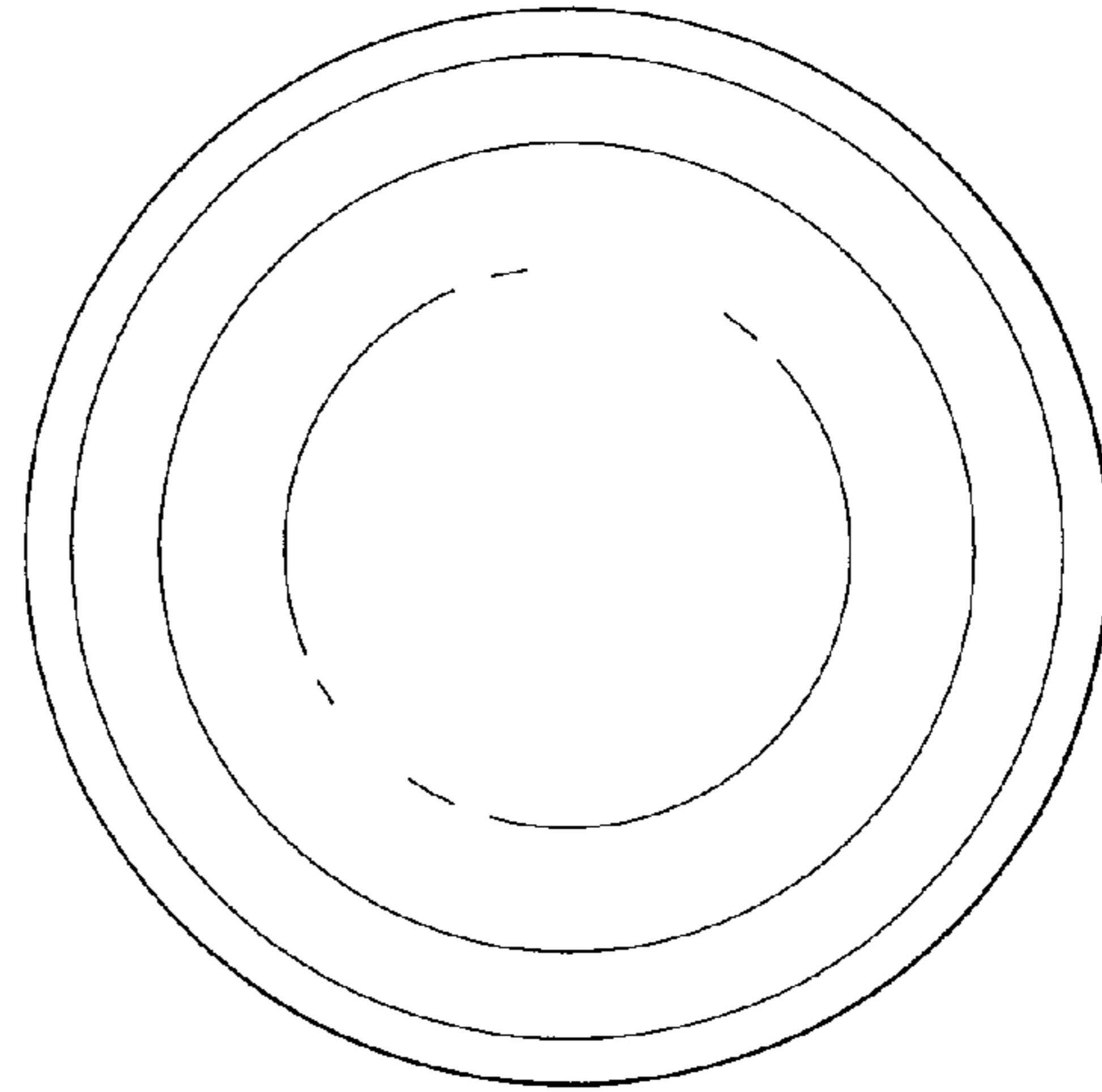


FIG. 6

