



US00D653366S

(12) **United States Design Patent**
Le et al.

(10) **Patent No.:** **US D653,366 S**
(45) **Date of Patent:** **** Jan. 31, 2012**

(54) **LED LAMP**

(75) Inventors: **Long Larry Le**, Morrisville, NC (US);
James Michael Lay, Cary, NC (US);
Randolph Cary Demuynck, Wake
Forest, NC (US)

(73) Assignee: **Cree, Inc.**, Durham, NC (US)

(**) Term: **14 Years**

(21) Appl. No.: **29/381,405**

(22) Filed: **Dec. 19, 2010**

(51) **LOC (9) Cl.** **26-04**

(52) **U.S. Cl.** **D26/2**

(58) **Field of Classification Search** D26/1-4;
313/313, 315, 316, 317, 318, 493; 315/52,
315/53, 56, 57, 58

See application file for complete search history.

(56) **References Cited**

U.S. PATENT DOCUMENTS

6,350,041	B1	2/2002	Tarsa	
D508,575	S *	8/2005	Buschmann et al.	D26/2
D528,227	S *	9/2006	Chou et al.	D26/2
D531,741	S *	11/2006	Takahashi	D26/2
D534,665	S *	1/2007	Egawa et al.	D26/2
D538,953	S *	3/2007	Mama	D26/2
D541,440	S *	4/2007	Feit	D26/2

(Continued)

FOREIGN PATENT DOCUMENTS

DE 102006061164 6/2008

(Continued)

OTHER PUBLICATIONS

International Search Report and Written Opinion, PCT/US2009/
063804, Mailed on Feb. 26, 2010.

(Continued)

Primary Examiner — Marcus Jackson

(74) *Attorney, Agent, or Firm* — Koppel, Patrick, Heybl &
Philpott

(57) **CLAIM**

The ornamental design for a LED lamp, as shown and
described.

DESCRIPTION

FIG. 1 is a perspective view of an LED lamp according to an
embodiment of the present invention.

FIG. 2 is a front elevation view of the LED lamp shown in
FIG. 1, with the rear and side views being substantially iden-
tical in ornamental appearance.

FIG. 3 is a top plan view of the LED lamp shown in FIG. 1.
FIG. 4 is a bottom plan view of the LED lamp shown in FIG.
1.

FIG. 5 is a perspective view of an LED lamp according to
another embodiment of the present invention.

FIG. 6 is a front elevation view of the LED lamp shown in
FIG. 5, with the rear and side views being substantially iden-
tical in ornamental appearance.

FIG. 7 is a top plan view of the LED lamp shown in FIG. 5.
FIG. 8 is a bottom plan view of the LED lamp shown in FIG.
5.

FIG. 9 is a perspective view of an LED lamp according to
another embodiment of the present invention.

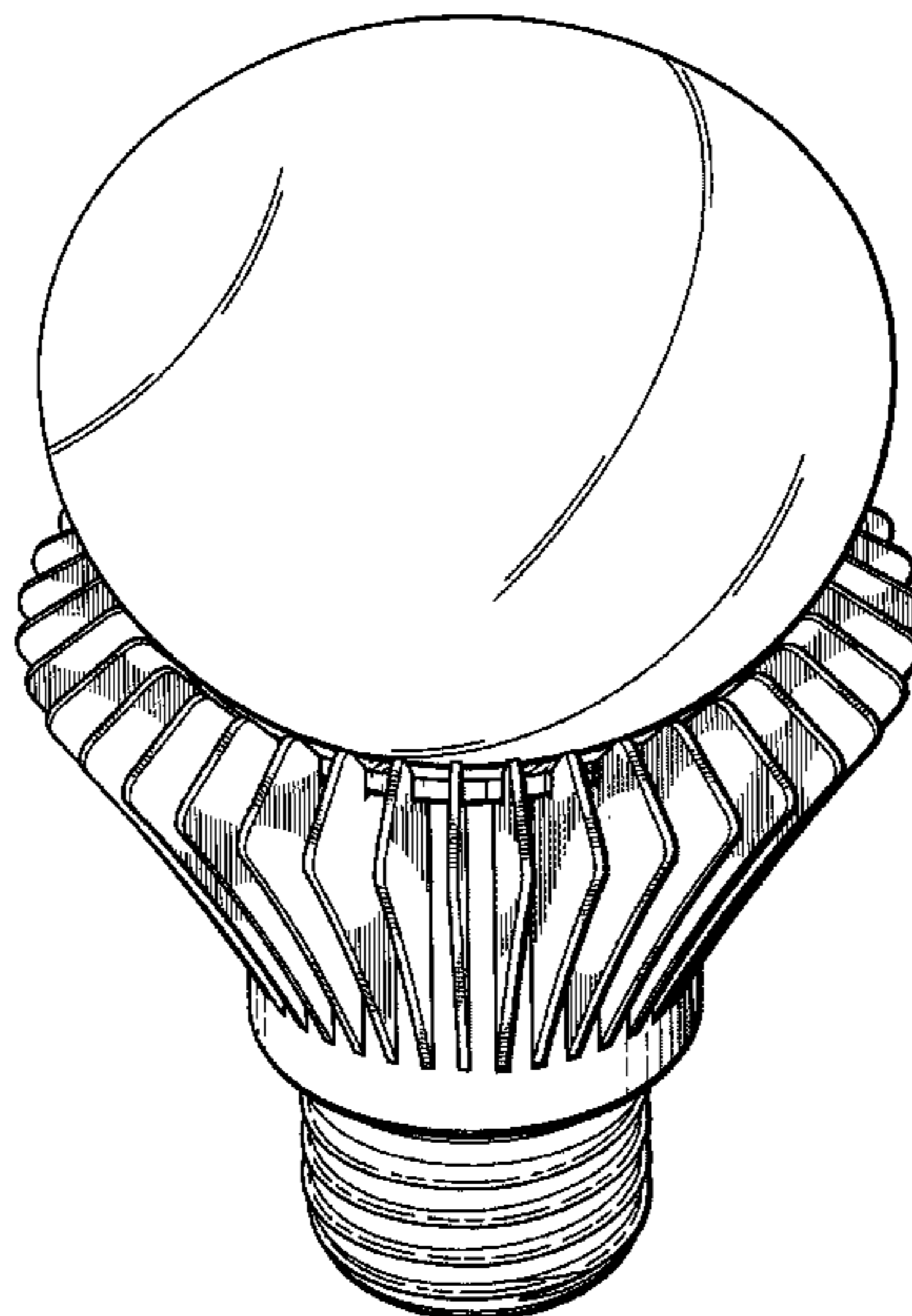
FIG. 10 is a front elevation view of the LED lamp shown in
FIG. 9, with the rear and side views being substantially iden-
tical in ornamental appearance.

FIG. 11 is a top plan view of the LED lamp shown in FIG. 9;
and,

FIG. 12 is a bottom plan view of the LED lamp shown in FIG.
9.

The broken lines shown in FIGS. 5-12 depict environmental
subject matter only and form no part of the claimed design.

1 Claim, 9 Drawing Sheets



US D653,366 S

Page 2

U.S. PATENT DOCUMENTS

7,213,940 B1 5/2007 Van De Ven
D553,267 S * 10/2007 Yuen D26/2
7,614,759 B2 11/2009 Negley
7,618,157 B1 11/2009 Galvez
7,663,315 B1 2/2010 Hulse
7,686,478 B1 3/2010 Hulse
D615,220 S * 5/2010 Crane et al. D26/2
2002/0047516 A1 4/2002 Iwasa
2004/0159846 A1 8/2004 Doxsee
2005/0242711 A1 11/2005 Bloomfield
2007/0223219 A1 9/2007 Medendorp
2007/0263405 A1 11/2007 Ng
2008/0080165 A1 4/2008 Kim
2009/0101930 A1 4/2009 Li
2009/0103293 A1 4/2009 Harbers
2009/0103296 A1 4/2009 Harbers
2010/0025700 A1 2/2010 Jung
2010/0155763 A1 6/2010 Donofrio
2010/0201284 A1 8/2010 Kraus

FOREIGN PATENT DOCUMENTS

GB 2 366 610 A 3/2002
JP 11-213730 A 8/1999
JP 2005021635 11/2005
JP 200640850 A 9/2006
JP 2009-016058 A 1/2009
WO WO 2007/130358 A2 11/2007
WO WO 2009/024952 A2 2/2009
WO WO 2009/093163 A2 7/2009
WO WO 2009/107052 A1 9/2009
WO WO 2009/128004 A1 10/2009
WO WO 2009/158422 A1 12/2009
WO WO 2010/128419 A1 11/2010

OTHER PUBLICATIONS

U.S. Appl. No. 12/566,195, Van De Ven, filed Sep. 24, 2009.

U.S. Appl. No. 12/704,730, Van De Ven, filed Feb. 12, 2010.
C.Crane GeoBulb®-II LED Light Bulb, Item #2SW, Description, p. 1-2.
C.Crane GeoBulb®-II LED Light Bulb, Item #2SW, Specs, p. 1-2.
Cree LR4, 4" Recessed Architectural Downlight, Product Info p. 1-2.
Cree LR6, 6" Recessed Downlight Module, Product Info, p. 1-2.
U.S. Appl. No. 12/901,405, filed Oct. 8, 2010, Tong.
U.S. Appl. No. 61/339,515, filed Mar. 3, 2010, Tong.
U.S. Appl. No. 12/848,825, filed Aug. 2, 2010, Tong.
U.S. Appl. No. 12/975,820, Van De Ven.
U.S. Appl. No. 13/029,063, filed Feb. 16, 2011, Hussell.
U.S. Appl. No. 61/424,670, filed Dec. 19, 2010, Zongjie Yuan.
U.S. Appl. No. 11/656,759, filed Jan. 22, 2007 Chitnis.
U.S. Appl. No. 11/899,790, filed Sep. 7, 2007 Chitnis.
U.S. Appl. No. 11/473,089, filed Jun. 21, 2006 Tarsa.
U.S. Appl. No. 61/435,759, filed Jan. 24, 2011 Le.
U.S. Appl. No. 61/339,516, filed Mar. 3, 2010 Tong.
International Search Report and Written Opinion for PCT/US2011/000400 mailed May 2, 2011.
Cree XLamp® XP-G LED, Product Info and Data Sheet, 14 pages, prior to Dec. 19, 2010.
Cree XLamp® XP-E LED, Product Info and Data Sheet, 20 pages, prior to Dec. 19, 2010.
International Search Report and Written Opinion for PCT Application No. PCT/US2011/000397 mailed May 24, 2011.
International Search Report and Written Opinion for PCT Application No. PCT/US2010/003146 mailed Jun. 7, 2011.
Decision for Final Rejection for Japanese Patent Application No. 2001-542133 mailed Jun. 28, 2011.
International Search Report and Written Opinion for PCT Application No. PCT/US2011/000399 mailed Jul. 12, 2011.
Decision to Refuse a European Patent Application for EP 09 152 962.8 dated Jul. 6, 2011.

* cited by examiner

FIG. 1

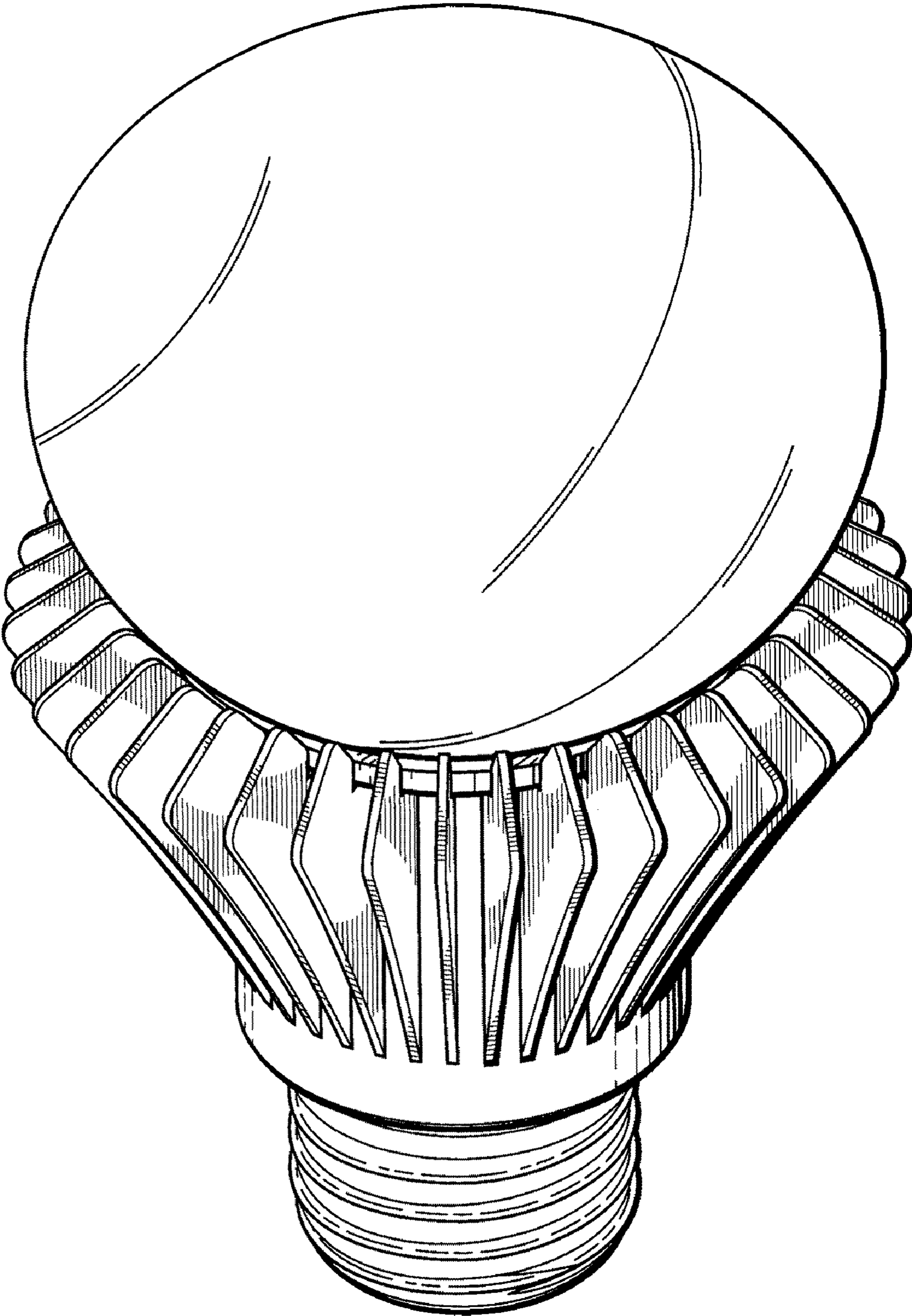
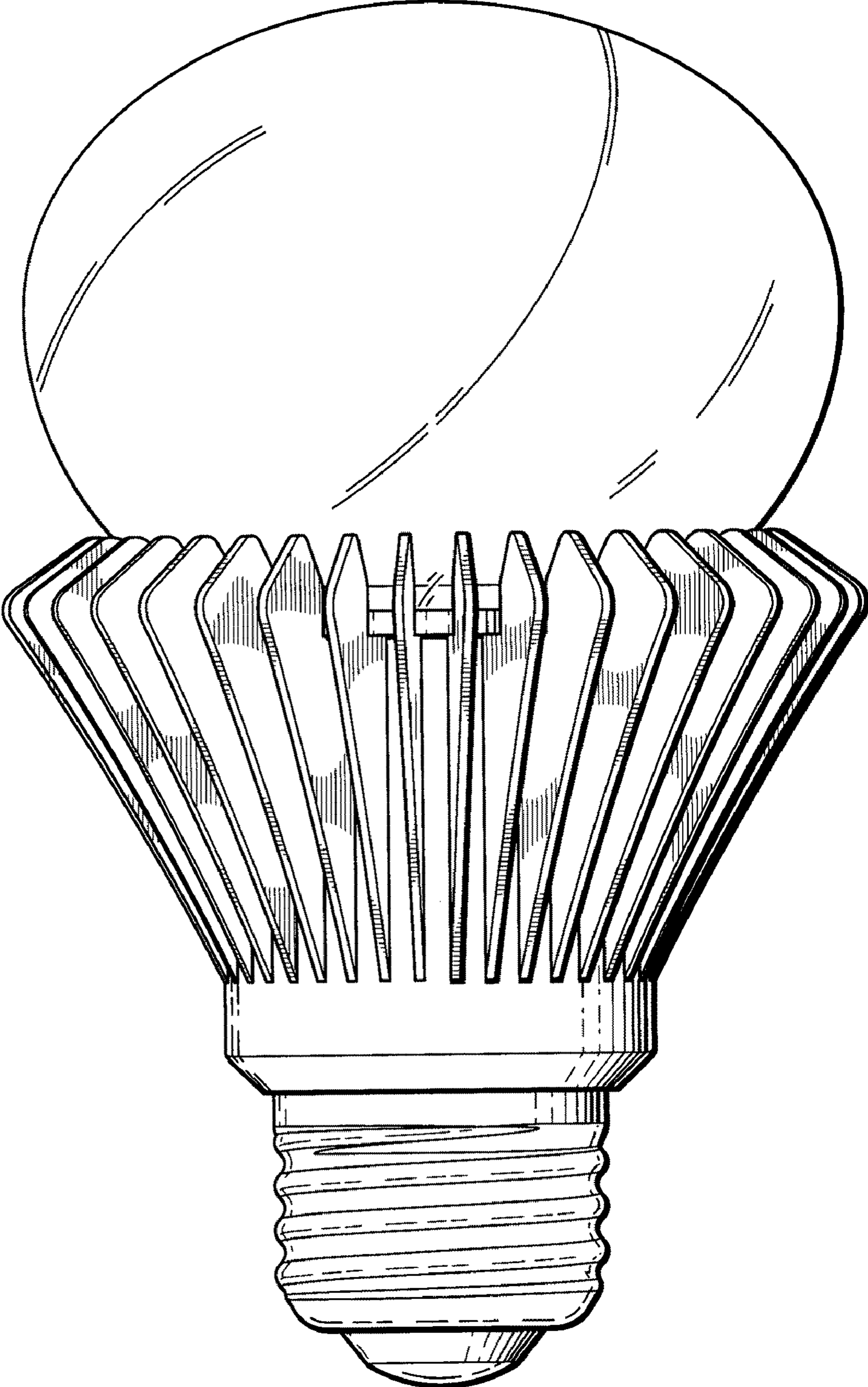


FIG. 2



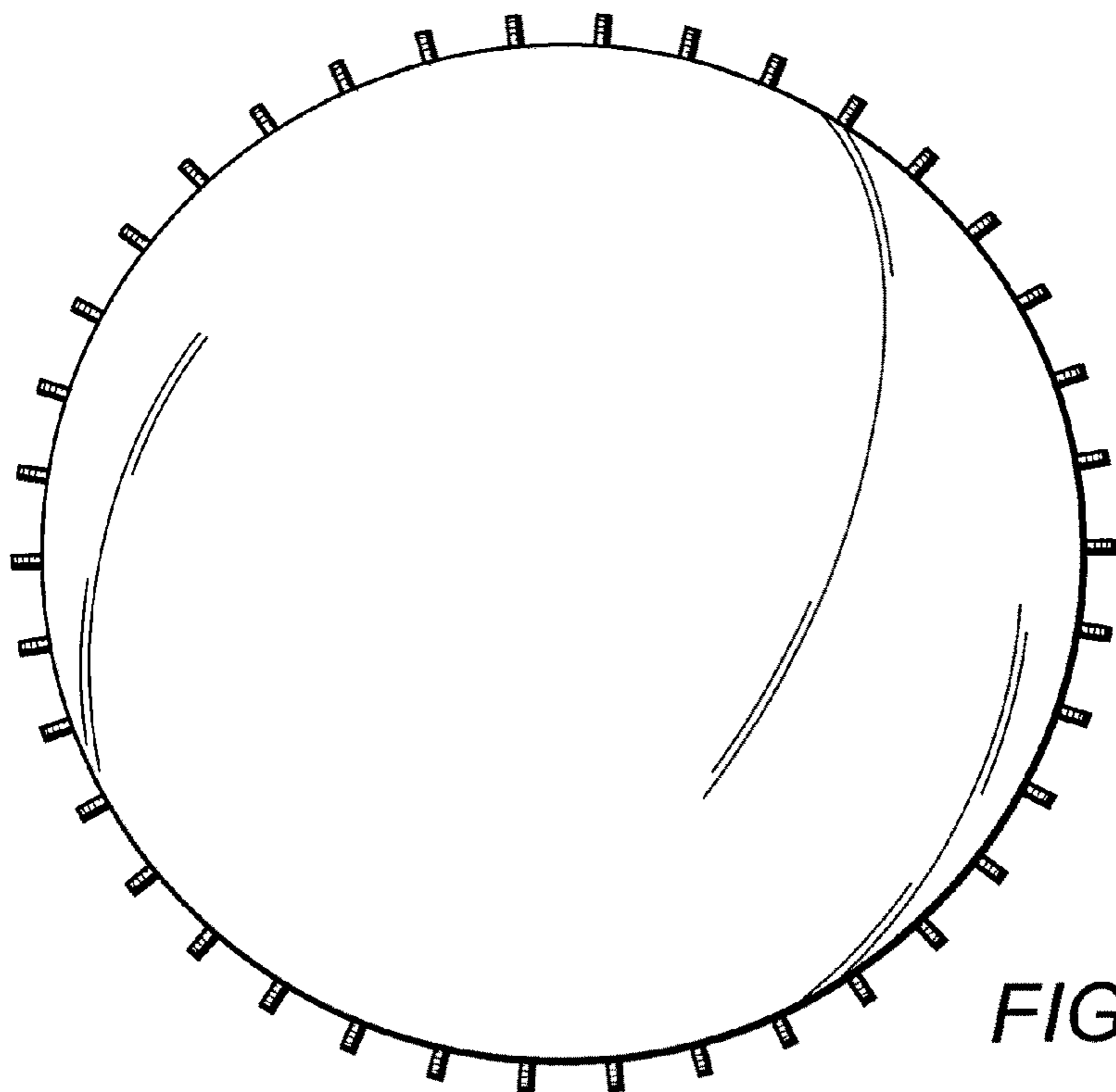


FIG. 3

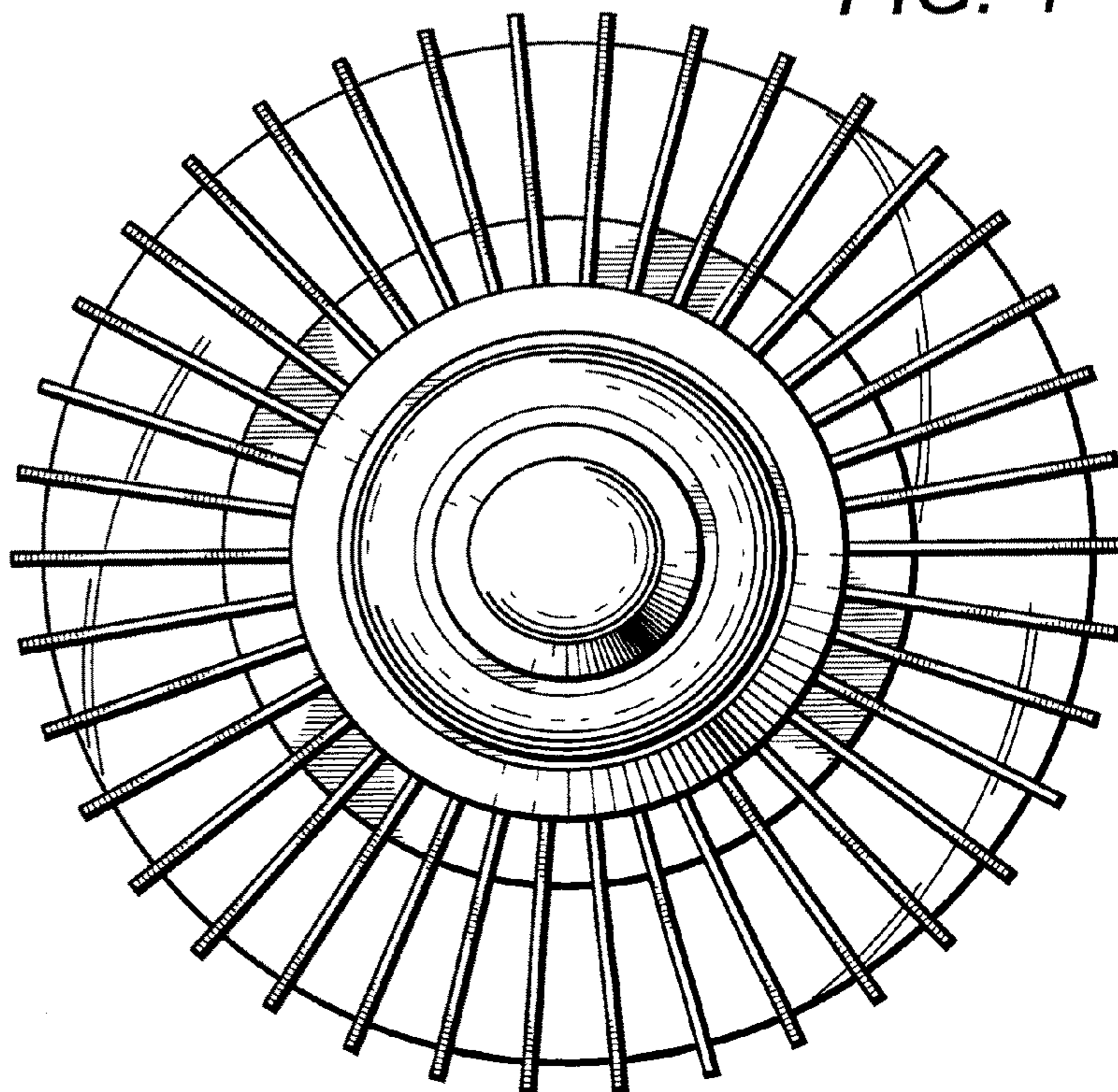


FIG. 4

FIG. 5

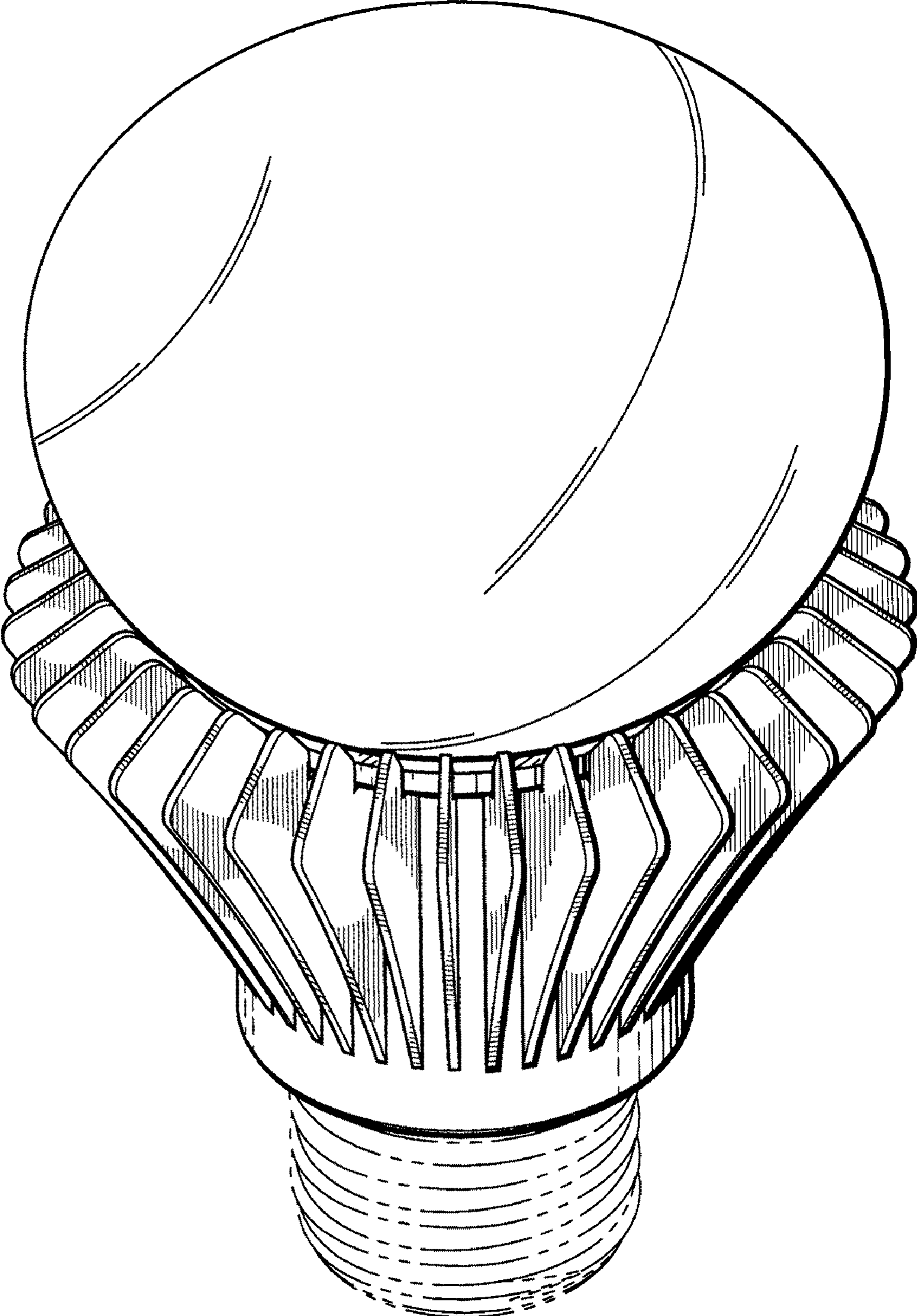
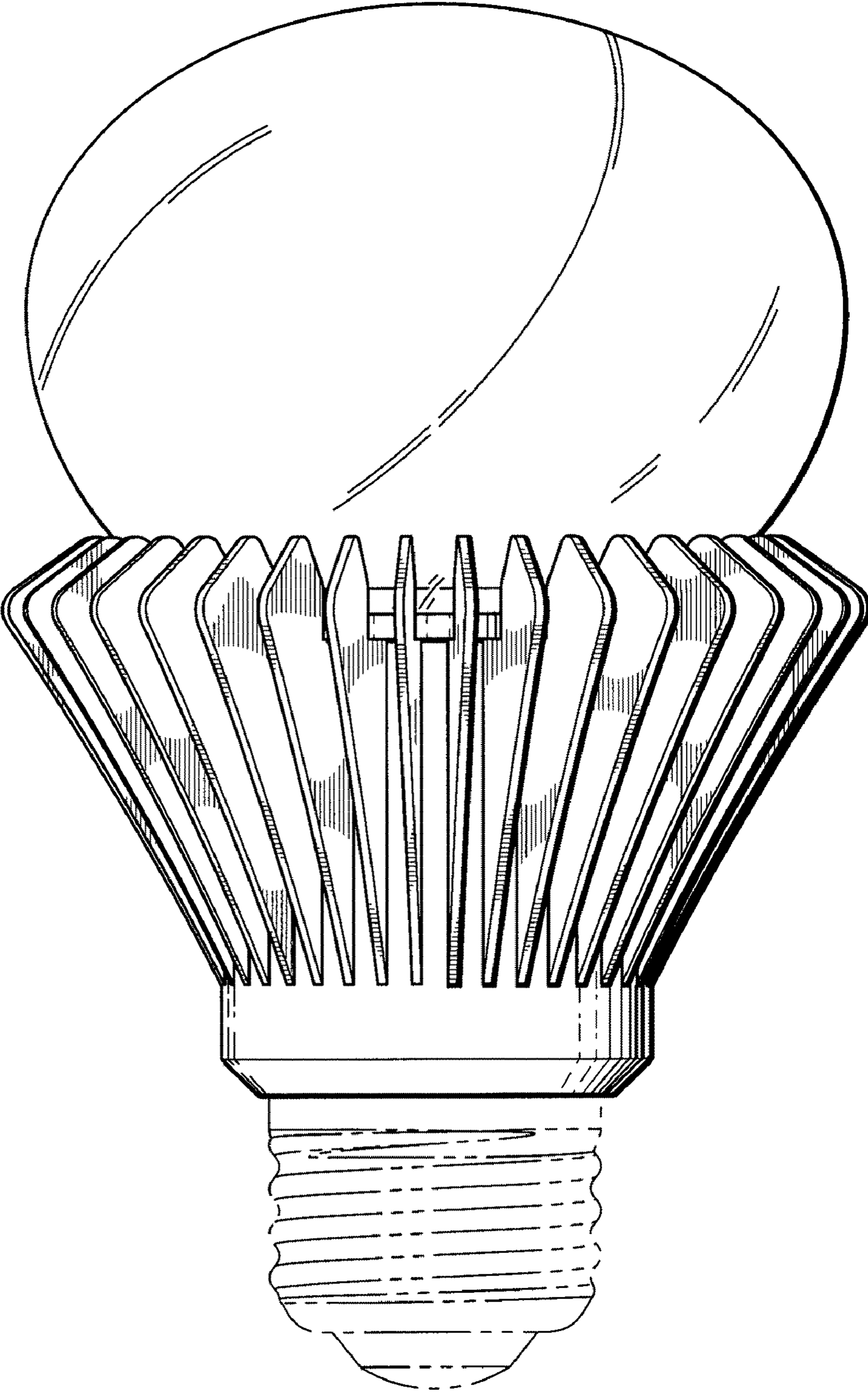


FIG. 6



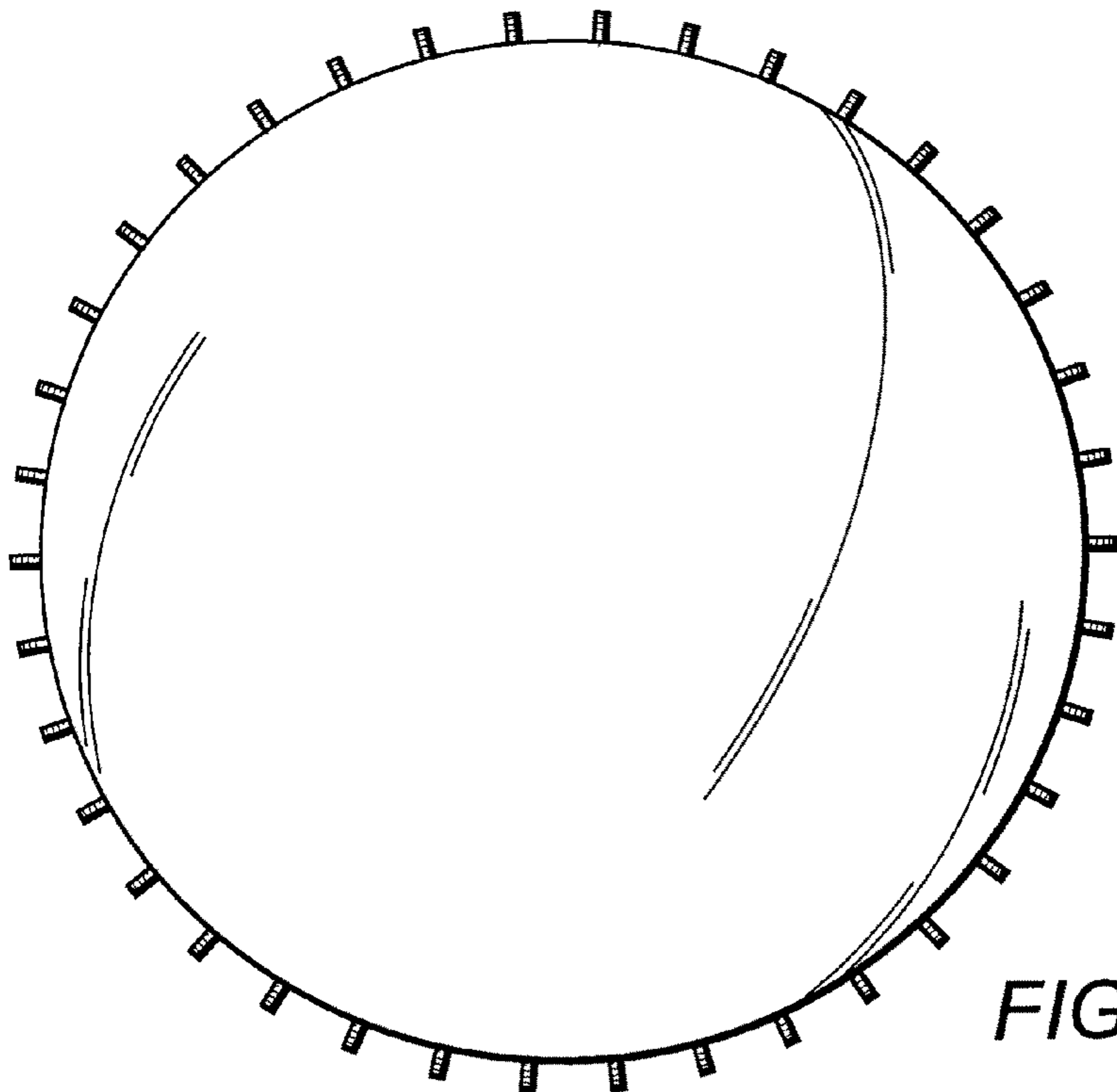


FIG. 7

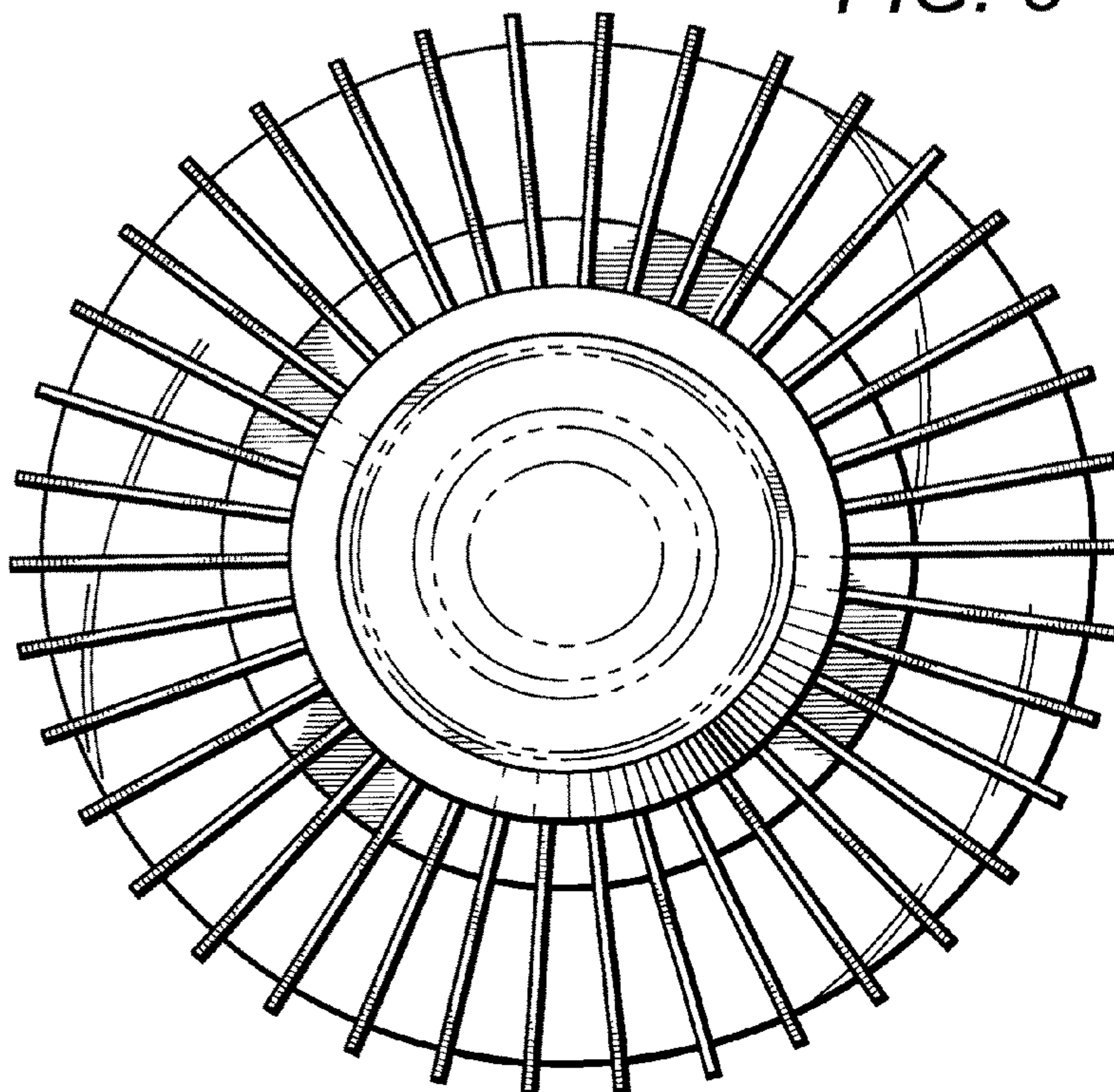


FIG. 8

FIG. 9

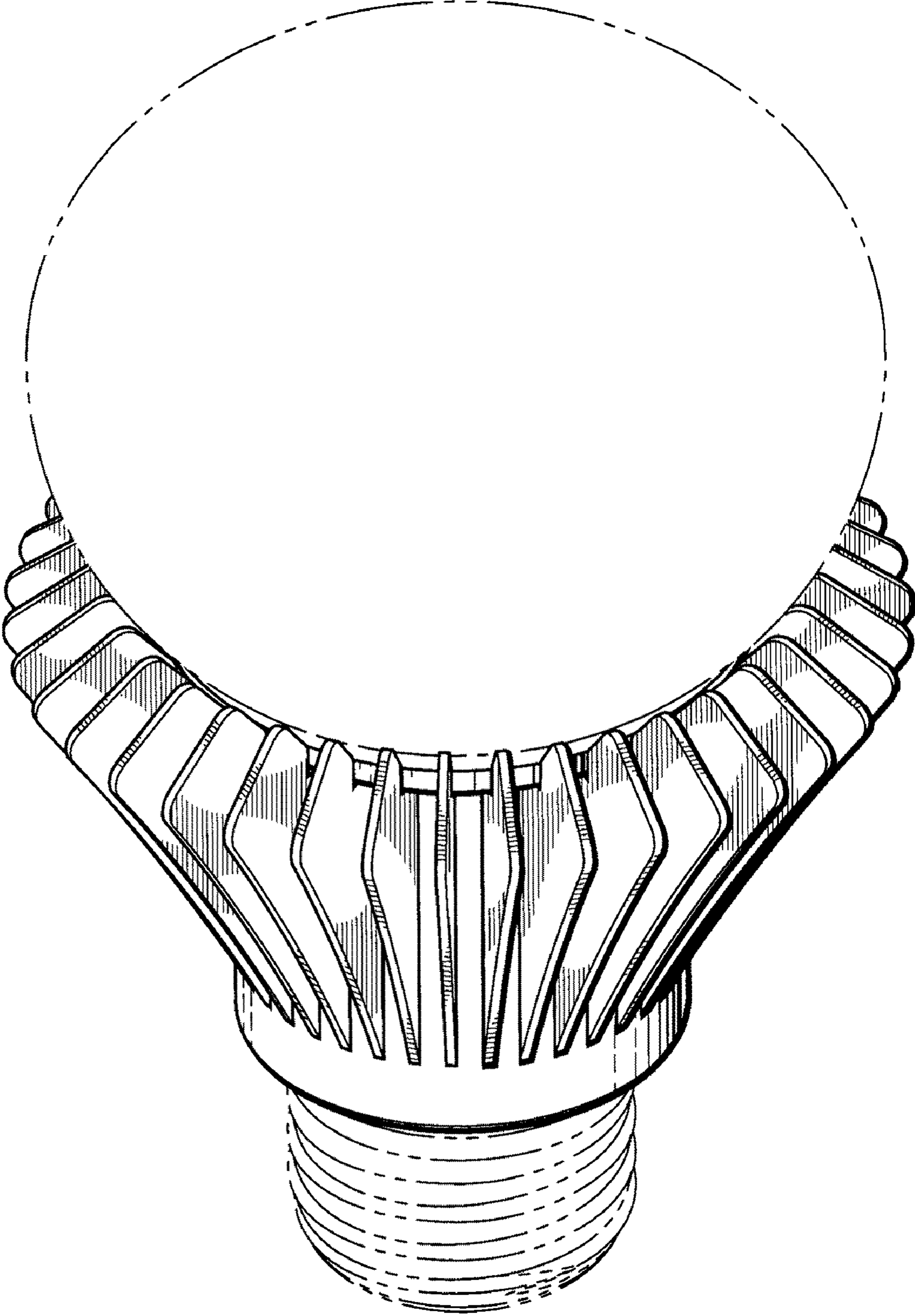
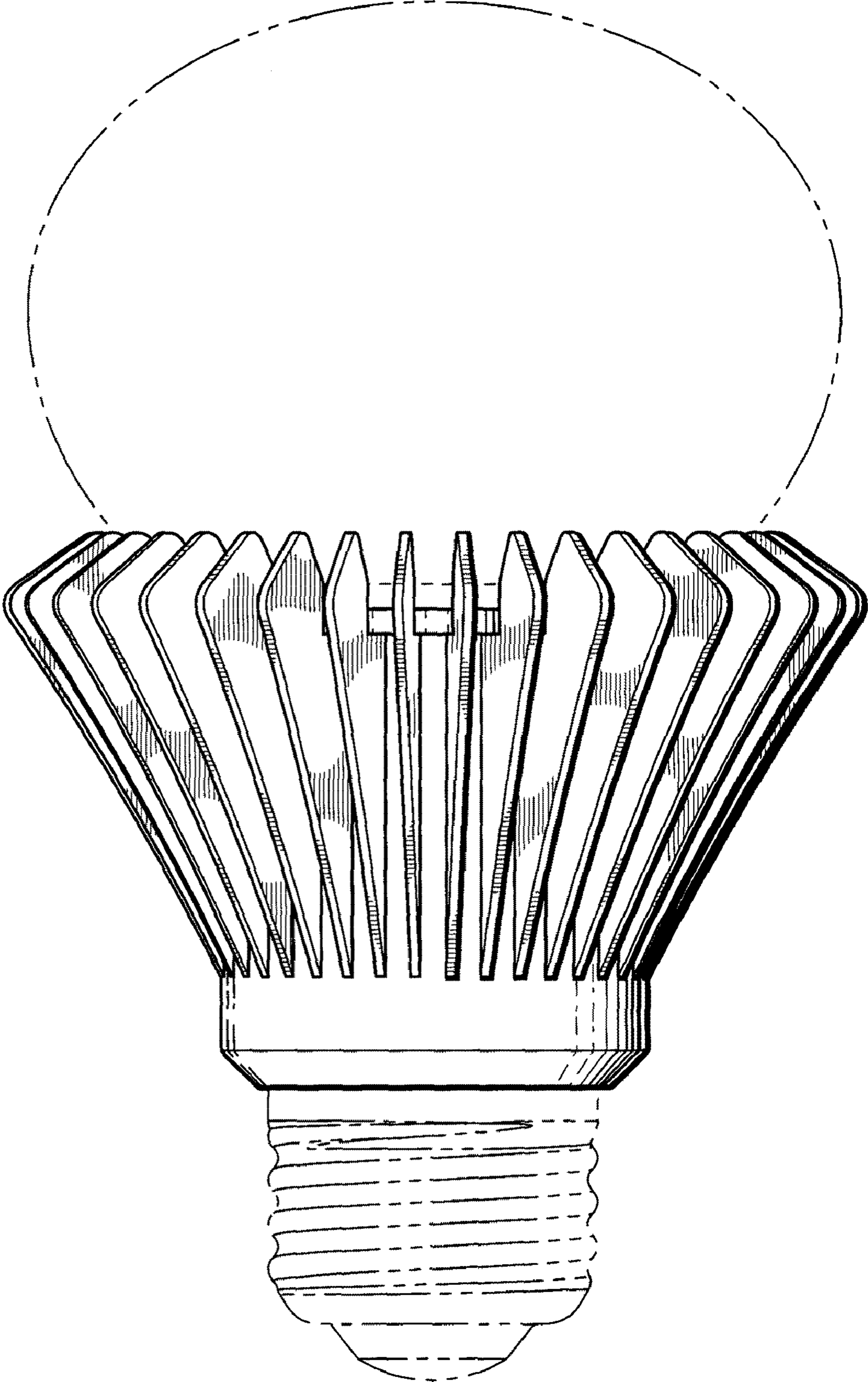


FIG. 10



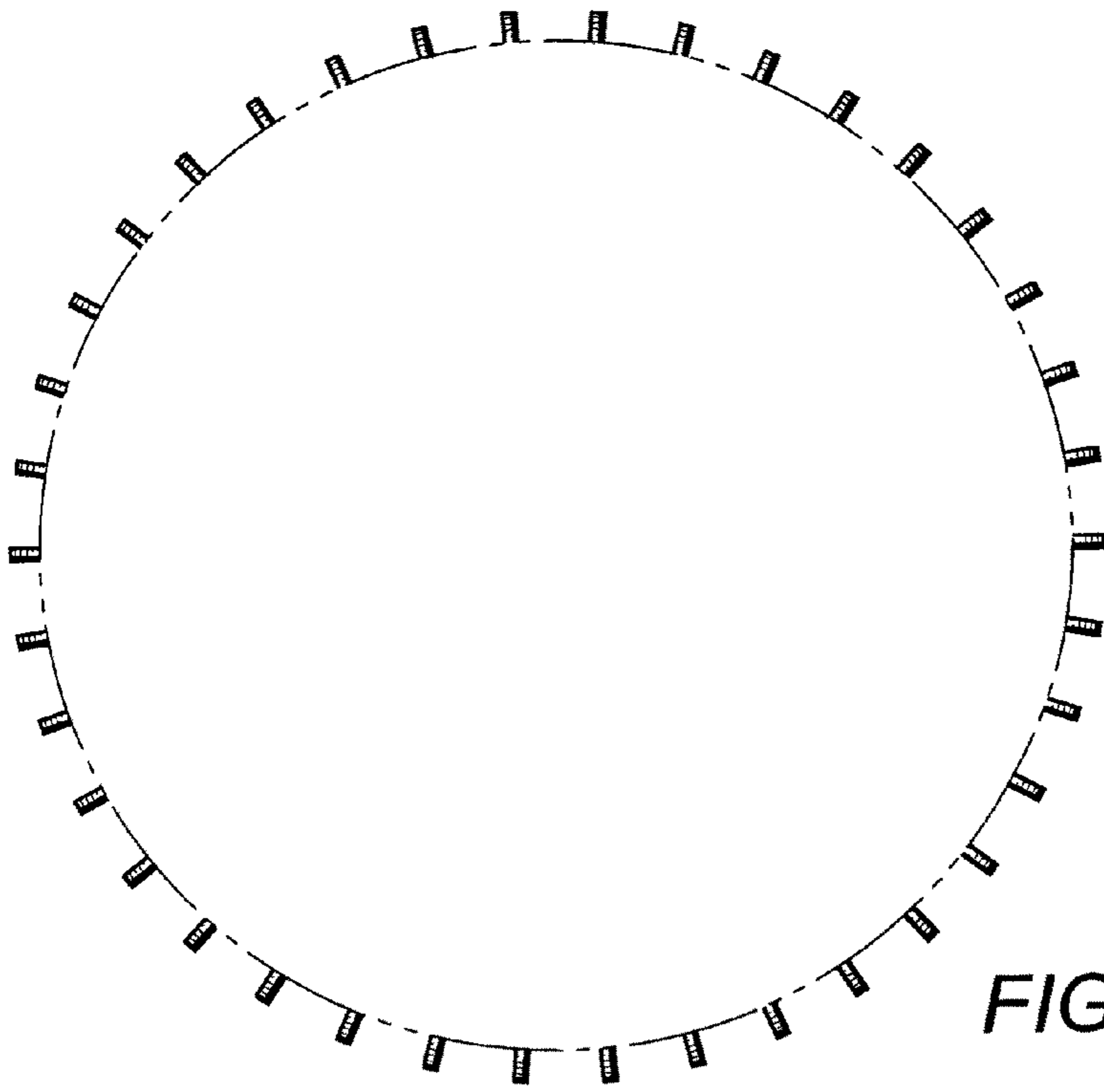


FIG. 11

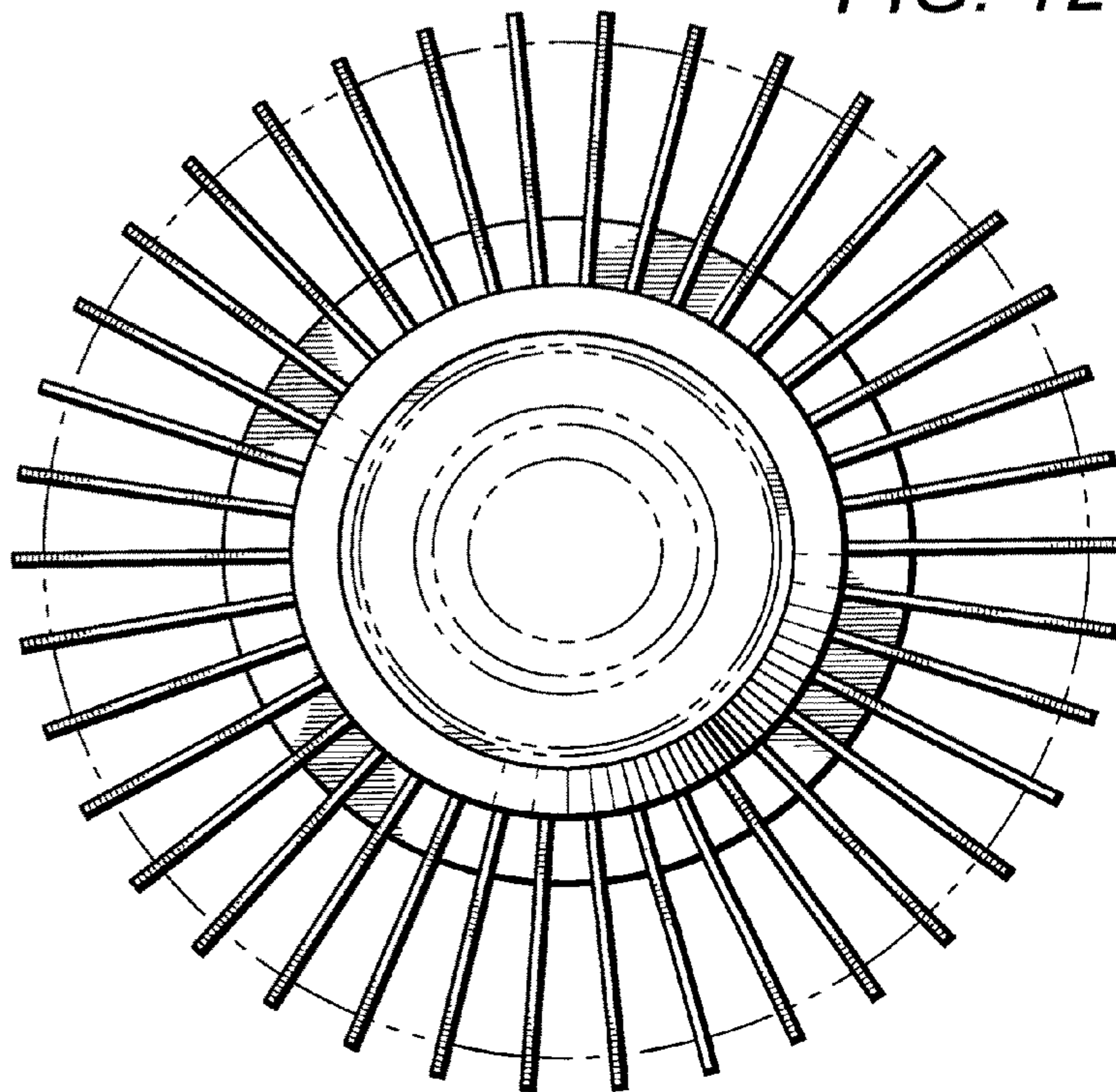


FIG. 12

UNITED STATES PATENT AND TRADEMARK OFFICE
CERTIFICATE OF CORRECTION

PATENT NO. : D653,366 S
APPLICATION NO. : 29/381405
DATED : January 31, 2012
INVENTOR(S) : Long Larry Le, James Michael Lay and Randolph Cary Demuynck

Page 1 of 1

It is certified that error appears in the above-identified patent and that said Letters Patent is hereby corrected as shown below:

In the Drawings, Figures 1-4 and 9-12 should be deleted. Figures 5-8 were elected in response to the Restriction Requirement of June 17, 2011. Accordingly, Figure 5 should be renamed Figure 1; Figure 6 should be renamed Figure 2; Figure 7 should be renamed Figure 3; and Figure 8 should be renamed Figure 4.

In the Description, lines 1-8 and lines 17-25, which correspond to written descriptions of the non-elected Figures, should be deleted.

In the Description, lines 9-10 should appear as follows: "FIG. 1 is a perspective view of an LED lamp according to an embodiment of the present invention."

In the Description, lines 11-13 should appear as follows: "FIG. 2 is a front elevation view of the LED lamp shown in FIG. 1, with the rear and side views substantially identical in ornamental appearance."

In the Description, line 14 should appear as follows: "FIG. 3 is a top plan view of the LED lamp shown in FIG 1."

In the Description, lines 15-16 should appear as follows: "FIG. 4 is a bottom plan view of the LED lamp shown in FIG 1 ."

In the Description, lines 26-27 should appear as follows: "The broken lines shown in FIGS. 1-4 depict environmental subject matter only and form no part of the claimed design."

Signed and Sealed this
Twentieth Day of November, 2012



David J. Kappos
Director of the United States Patent and Trademark Office