



US00D653364S

(12) **United States Design Patent**  
**Howard et al.**

(10) **Patent No.:** **US D653,364 S**  
(45) **Date of Patent:** **\*\* Jan. 31, 2012**

- (54) **LED LIGHT BULB**
- (75) Inventors: **Kenneth A. Howard**, St. Louis, MO (US); **James J. Riley**, St. Louis, MO (US); **Matthew S. Smith**, St. Charles, MO (US)
- (73) Assignee: **Mary Elle Fashions**, St. Louis, MO (US)
- (\*\*) Term: **14 Years**
- (21) Appl. No.: **29/362,513**
- (22) Filed: **May 26, 2010**
- (51) **LOC (9) Cl.** ..... **26-04**
- (52) **U.S. Cl.** ..... **D26/2**
- (58) **Field of Classification Search** ..... D26/1-4;  
313/313, 315, 316, 317, 318, 493; 315/52,  
315/53, 56, 57, 58  
See application file for complete search history.

D481,140 S	10/2003	Chang	
D487,596 S	3/2004	Callahan	
D501,262 S	1/2005	Kling	
D504,732 S	5/2005	Yang	
D537,174 S	2/2007	Osawa	
D543,288 S	* 5/2007	Bembridge	..... D26/2
D544,109 S	* 6/2007	Tsuruha et al.	..... D26/2
D558,904 S	* 1/2008	Tsuruha et al.	..... D26/2
D579,130 S	* 10/2008	Hernandez et al.	..... D26/2
D600,368 S	* 9/2009	Bertram et al.	..... D26/2
D610,272 S	* 2/2010	Guo et al.	..... D26/2

\* cited by examiner

*Primary Examiner* — Marcus Jackson  
(74) *Attorney, Agent, or Firm* — Senniger Powers LLP

(57) **CLAIM**  
The ornamental design for an LED light bulb, as shown and described.

**DESCRIPTION**

FIG. 1 is a perspective of one embodiment of the LED light bulb;  
FIG. 2 is a front elevation thereof;  
FIG. 3 is an elevation showing the right side thereof;  
FIG. 4 is an elevation showing the left side thereof;  
FIG. 5 is a rear elevation thereof;  
FIG. 6 is a top plan thereof; and,  
FIG. 7 is a bottom plan thereof.  
The broken lines shown in the drawings indicate structure and features which form no part of the claimed design.

**1 Claim, 7 Drawing Sheets**

(56) **References Cited**

U.S. PATENT DOCUMENTS

D425,217 S	5/2000	Oetken	
D437,645 S	* 2/2001	Sung et al.	..... D26/2
D456,913 S	* 5/2002	Liu	..... D26/2
D459,496 S	6/2002	Lin	
D469,548 S	* 1/2003	Bobel	..... D26/2
D471,293 S	* 3/2003	Bobel	..... D26/2
D471,996 S	* 3/2003	Kuen	..... D26/4

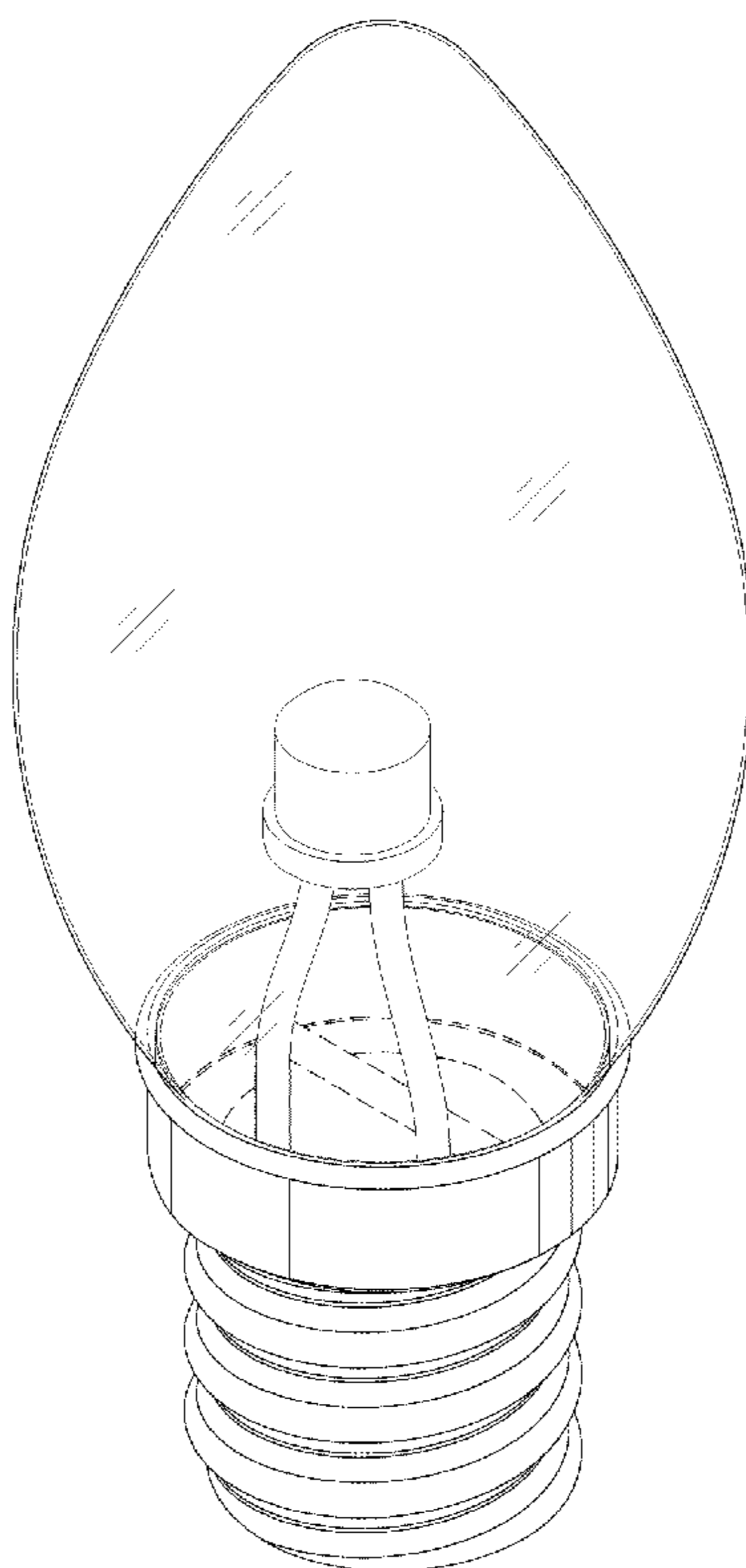


FIG. 1

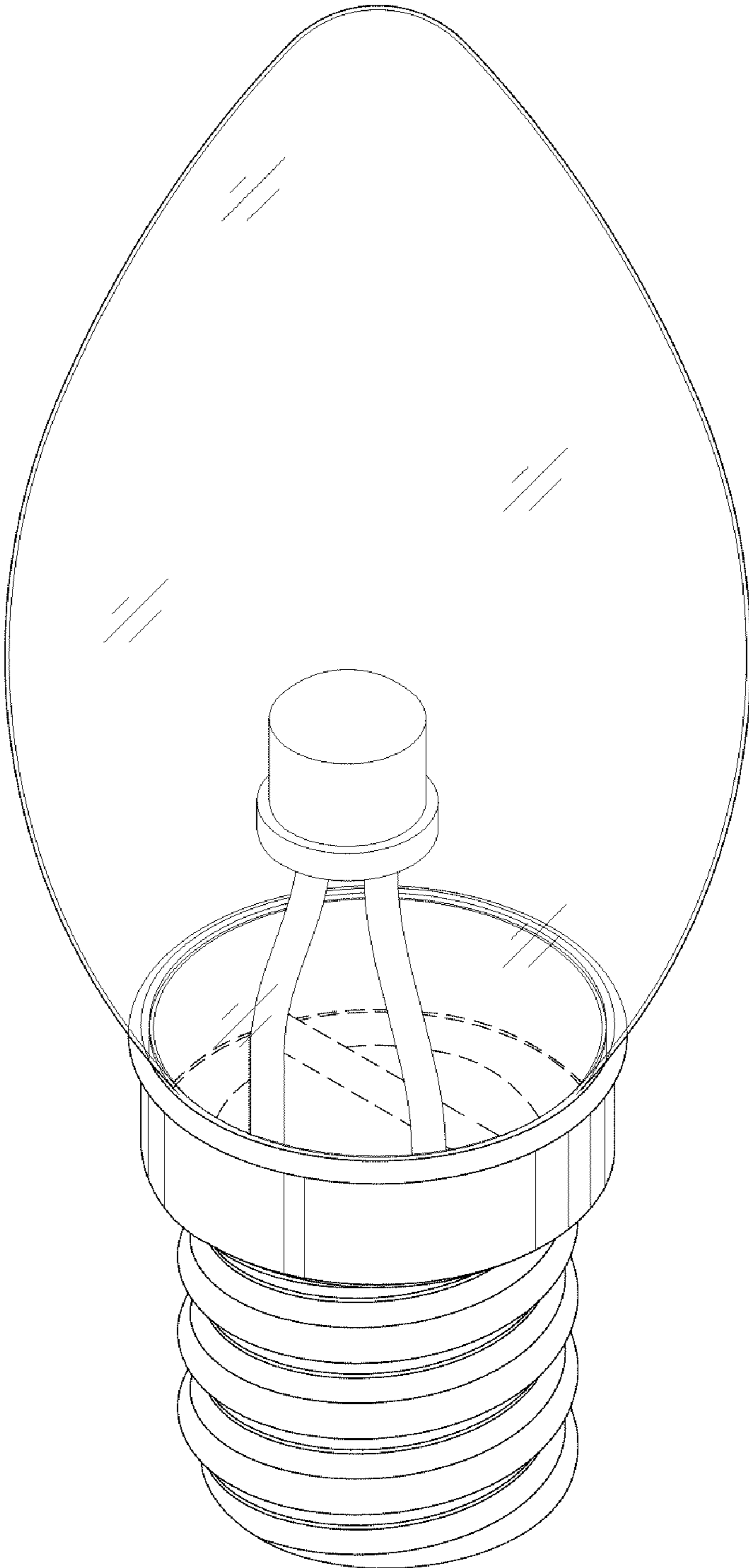


FIG. 2

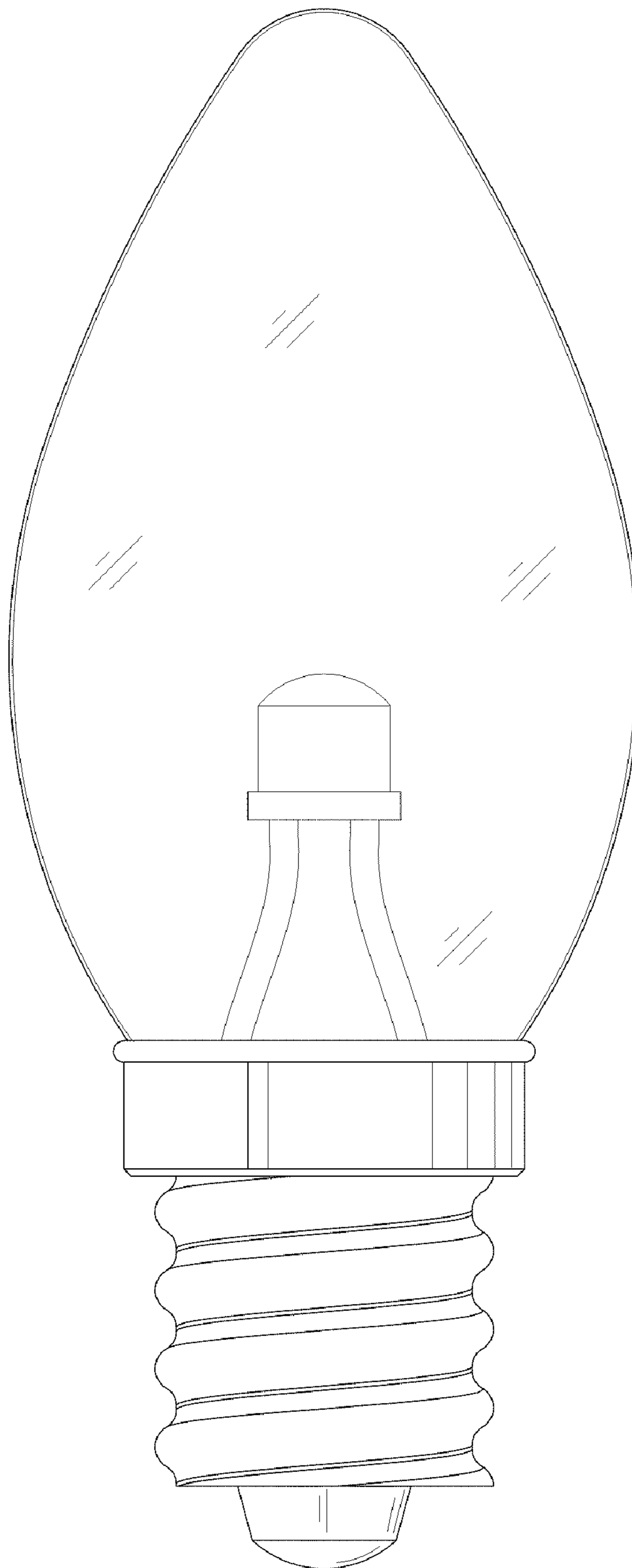


FIG. 3

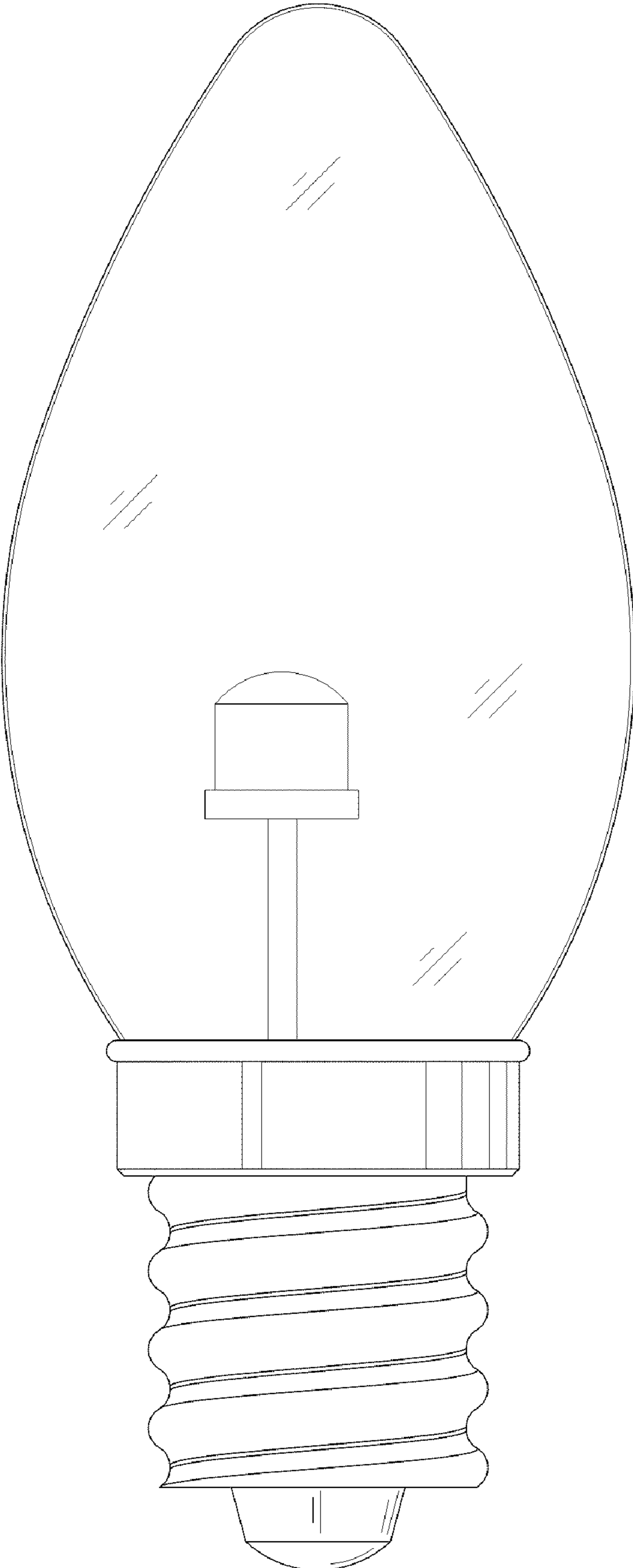


FIG. 4

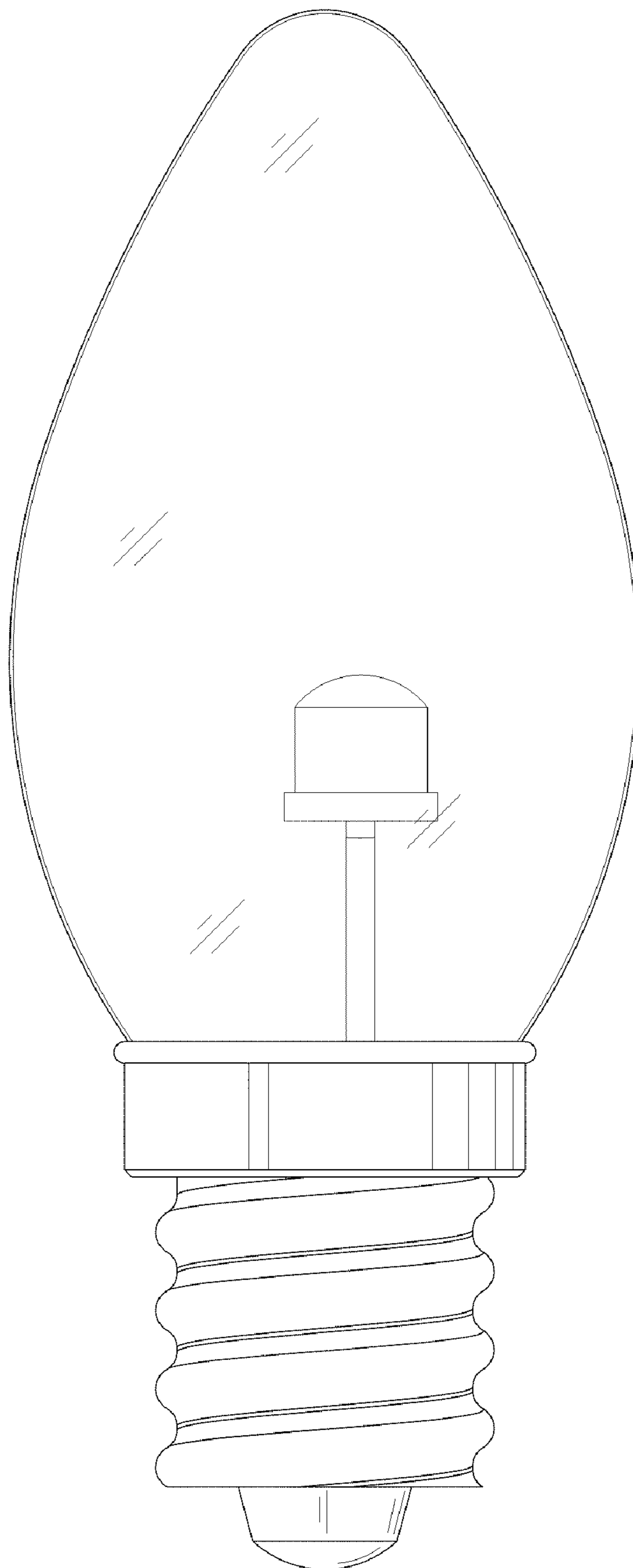


FIG. 5

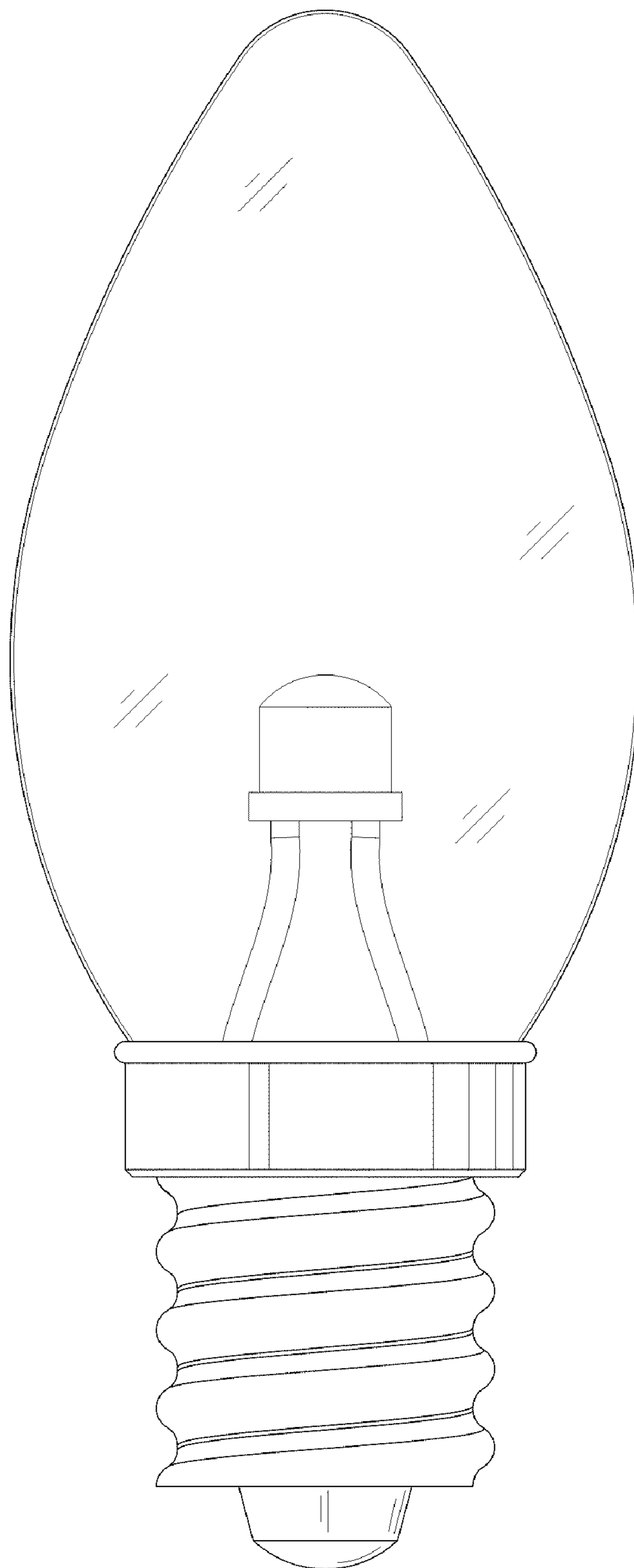


FIG. 6

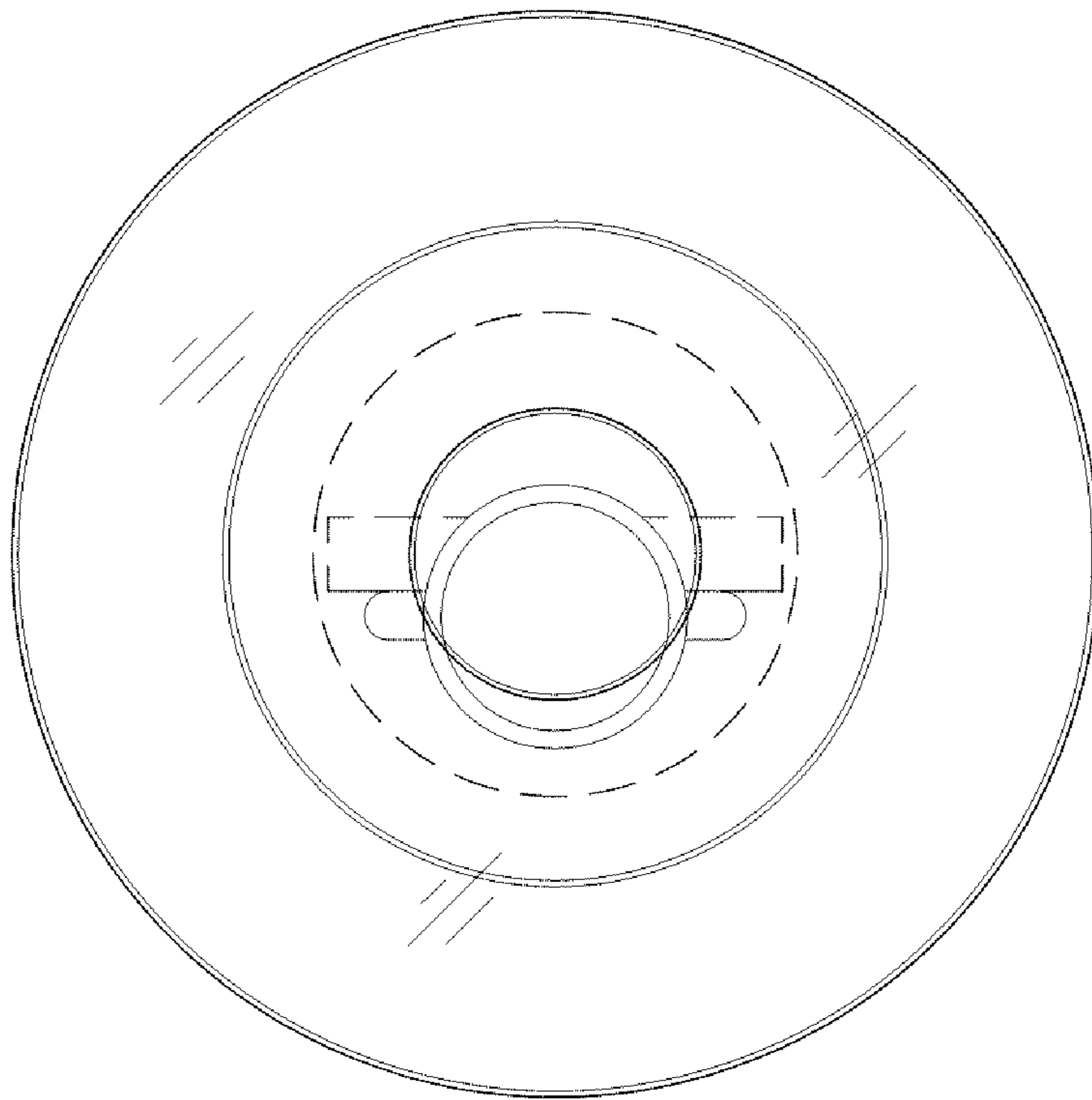


FIG. 7

