



US00D653356S

(12) **United States Design Patent**
MacDonald

(10) **Patent No.:** **US D653,356 S**
(45) **Date of Patent:** **** *Jan. 31, 2012**

- (54) **LANDSCAPING BLOCK**
- (75) Inventor: **Robert A. MacDonald**, Plymouth, MN (US)
- (73) Assignee: **Keystone Retaining Wall Systems, Inc.**, Bloomington, MN (US)
- (*) Notice: This patent is subject to a terminal disclaimer.
- (**) Term: **14 Years**
- (21) Appl. No.: **29/386,348**
- (22) Filed: **Feb. 28, 2011**
- (51) **LOC (9) Cl.** **25-01**
- (52) **U.S. Cl.** **D25/113**
- (58) **Field of Classification Search** D25/102, D25/112-118, 136, 138, 151, 152, 158, 162, D25/164, 199; D21/484-491, 499-504; 405/16, 284, 286; 52/503-505, 574, 575, 52/596-612, 102; 404/27-42; 47/33; D8/1
See application file for complete search history.

(56) **References Cited**

U.S. PATENT DOCUMENTS

4,496,266	A *	1/1985	Ruckstuhl	404/41
D280,024	S *	8/1985	Risi et al.	D25/113
4,971,475	A	11/1990	Castonguay et al.		
D313,280	S	12/1990	Rodenburgh et al.		
D315,026	S *	2/1991	Castonguay et al.	D25/113
5,261,760	A	11/1993	Castonguay et al.		
5,568,994	A	10/1996	Dawson		
5,601,384	A	2/1997	Dawson		
D380,560	S	7/1997	Forsberg		
D381,086	S	7/1997	Forsberg		
D384,168	S	9/1997	Stevenson		
D387,434	S	12/1997	Dawson		
D397,230	S	8/1998	Forsberg		
D397,808	S *	9/1998	Dawson	D25/113
5,865,006	A	2/1999	Dawson		
5,913,790	A	6/1999	Dawson		
D429,005	S	8/2000	Risi		

D430,308	S	8/2000	Dawson		
6,149,352	A	11/2000	MacDonald		
D448,856	S *	10/2001	Boone	D25/113
D448,861	S *	10/2001	Daniels et al.	D25/113
D464,147	S *	10/2002	Van Cauwenbergh	D25/113
6,536,994	B2	3/2003	Race		
D473,954	S	4/2003	Mondo		
6,615,561	B2	9/2003	MacDonald et al.		
D487,932	S	3/2004	Crooks		
D488,242	S	4/2004	MacDonald		
D488,568	S	4/2004	MacDonald		
D488,569	S	4/2004	Dawson		
D490,542	S	5/2004	MacDonald		
6,821,058	B1	11/2004	Dawson		
D501,934	S	2/2005	Mushett		
D501,935	S	2/2005	Dawson et al.		
6,854,231	B2	2/2005	MacDonald et al.		
D511,845	S	11/2005	Anderson		

(Continued)

OTHER PUBLICATIONS

U.S. Appl. No. 13/039,924, filed Mar. 3, 2011 (62 pages).

(Continued)

Primary Examiner — Anhdao Doan

(74) *Attorney, Agent, or Firm* — Popovich, Wiles & O'Connell, P.A.

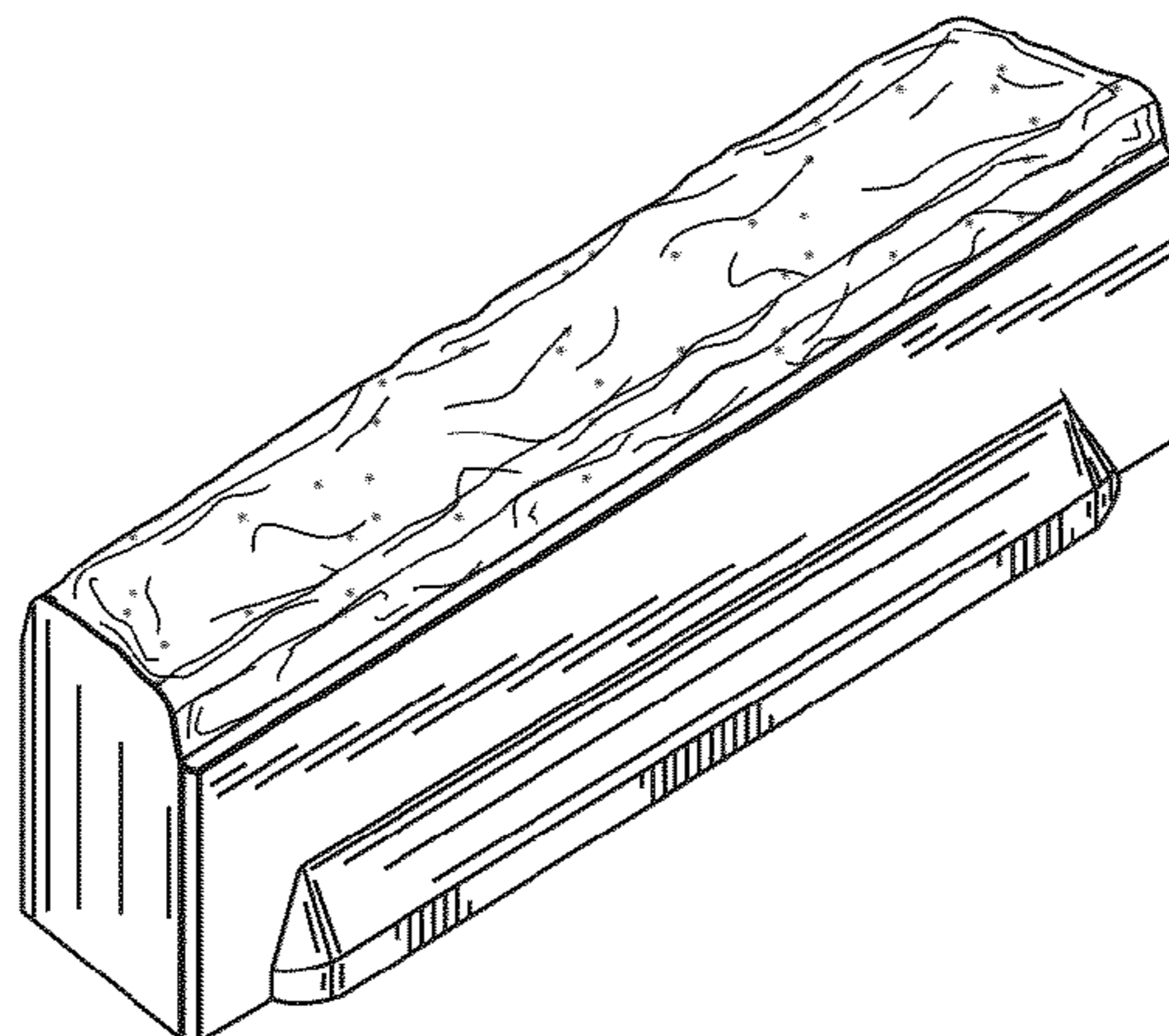
(57) **CLAIM**

The ornamental design for a landscaping block, as shown and described.

DESCRIPTION

FIG. 1 is a front perspective view of a landscaping block according to my new design;
 FIG. 2 is a top plan view thereof;
 FIG. 3 is a bottom plan view thereof;
 FIG. 4 is a left side elevational view thereof; a right side elevational view being a mirror image;
 FIG. 5 is a rear elevational view thereof;
 FIG. 6 is a front elevational view thereof; and,
 FIG. 7 is a rear perspective view thereof.

1 Claim, 1 Drawing Sheet



US D653,356 S

Page 2

U.S. PATENT DOCUMENTS

D516,736 S * 3/2006 Mushett et al. D25/118
7,168,892 B1 1/2007 MacDonald et al.
D574,515 S * 8/2008 Bouchard D25/113
D610,710 S 2/2010 LaCroix et al.
D621,070 S 8/2010 MacDonald et al.
2006/0110223 A1 5/2006 Dawson
2008/0277561 A1 11/2008 MacDonald
2008/0289282 A1 11/2008 MacDonald
2008/0307740 A1 12/2008 MacDonald

2009/0120029 A1 5/2009 LaCroix et al.
2009/0188196 A1 7/2009 MacDonald
2009/0308015 A1 12/2009 MacDonald et al.
2011/0072753 A1 3/2011 MacDonald

OTHER PUBLICATIONS

U.S. Appl. No. 13/037,685, filed Mar. 1, 2011 (59 pages).
U.S. Appl. No. 29/366,124, filed Jul. 20, 2010 (59 pages).

* cited by examiner

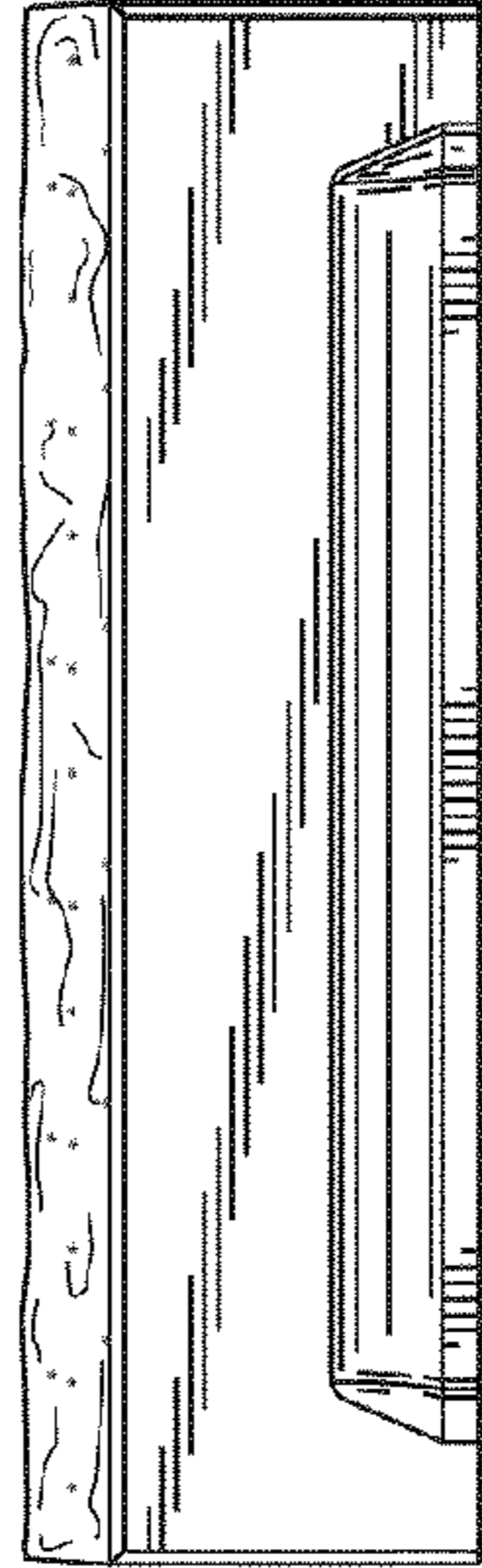
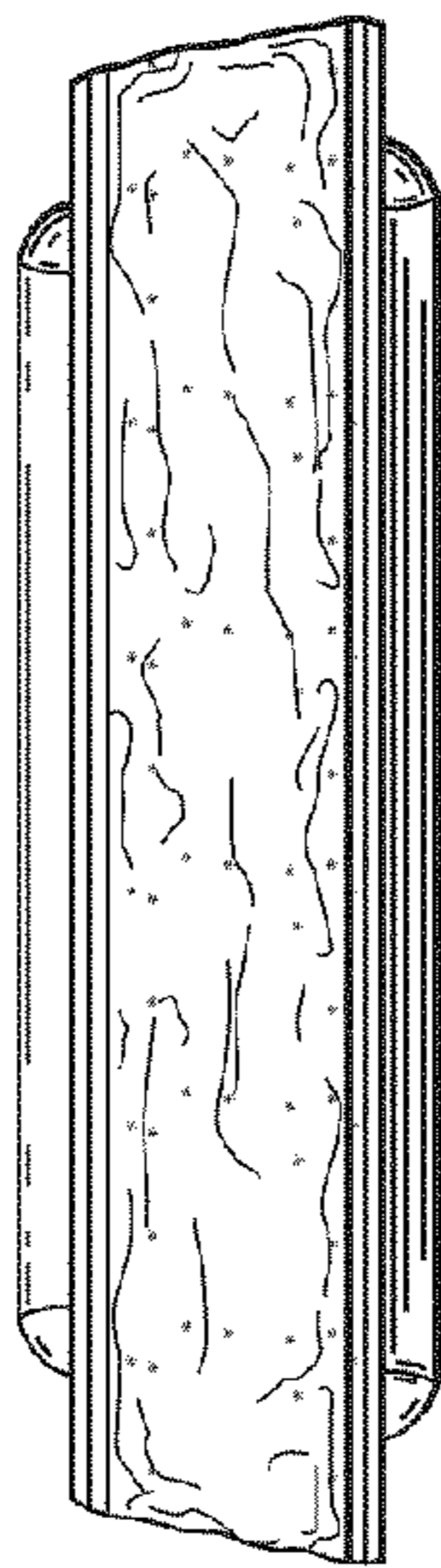
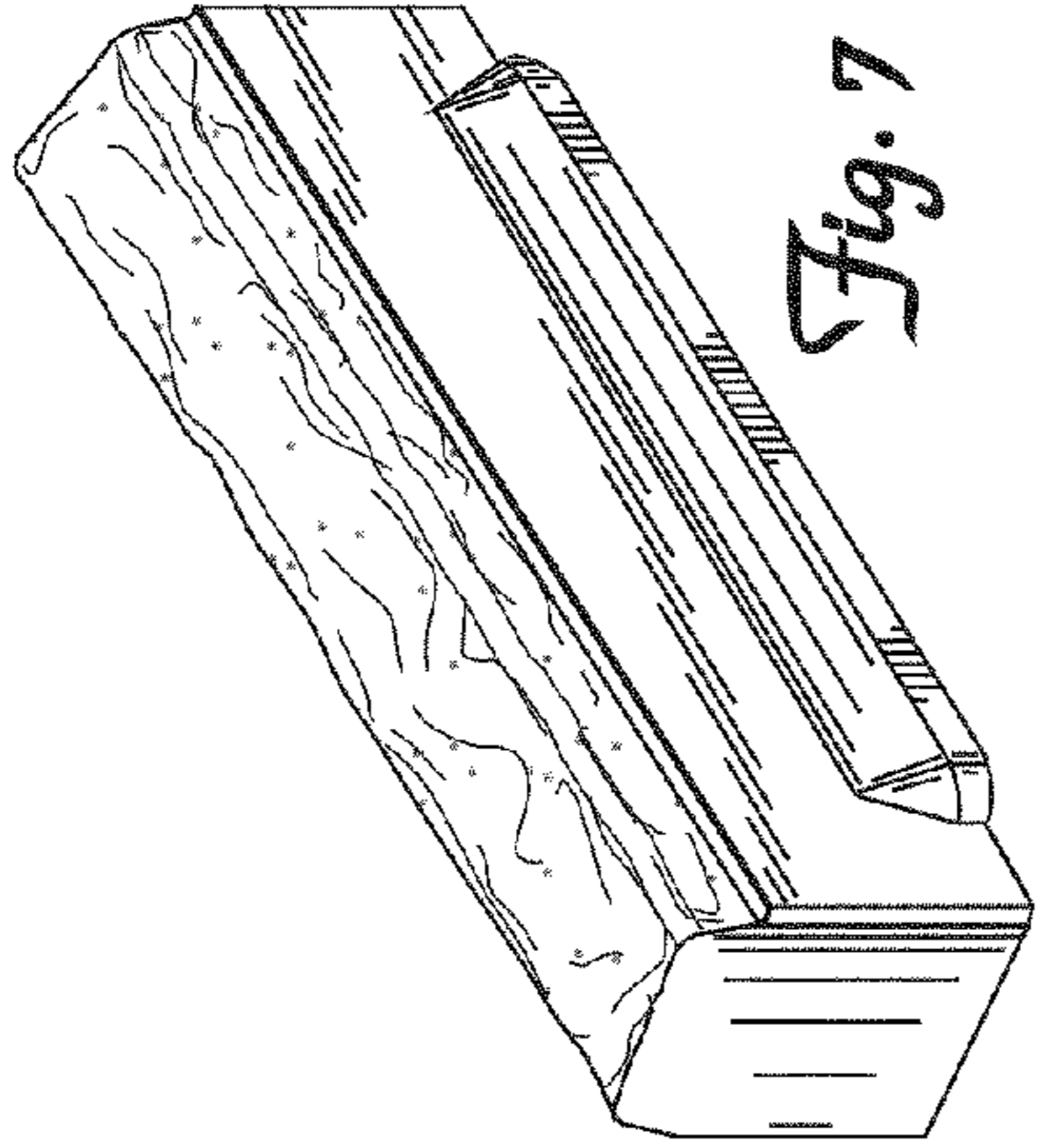
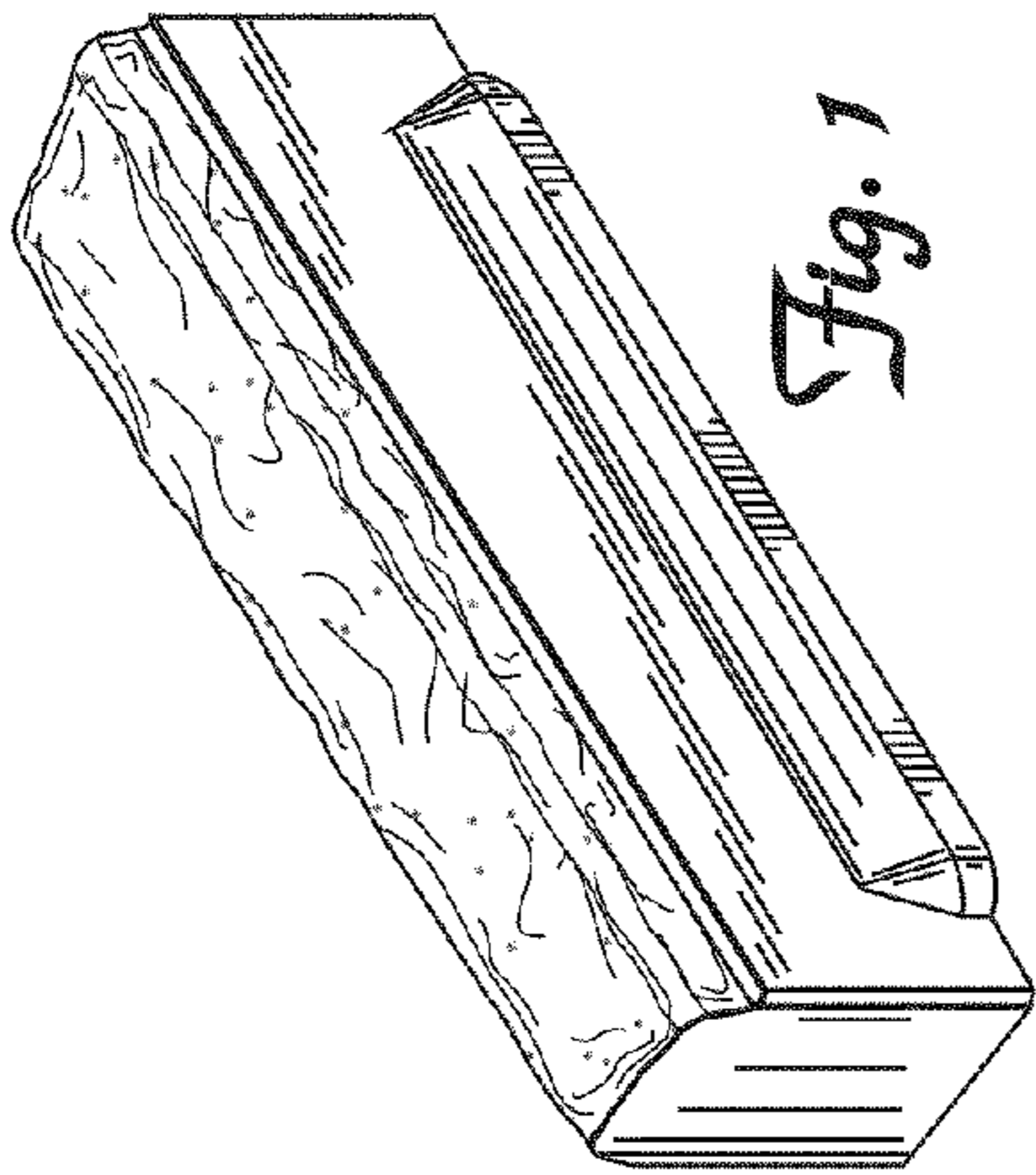


Fig. 2

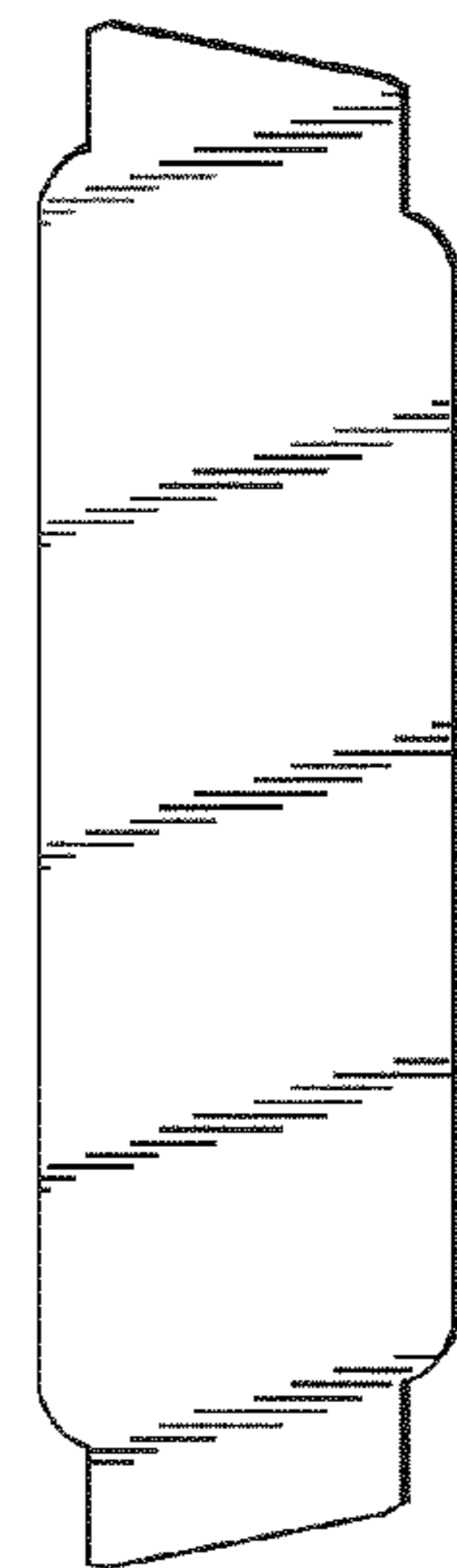
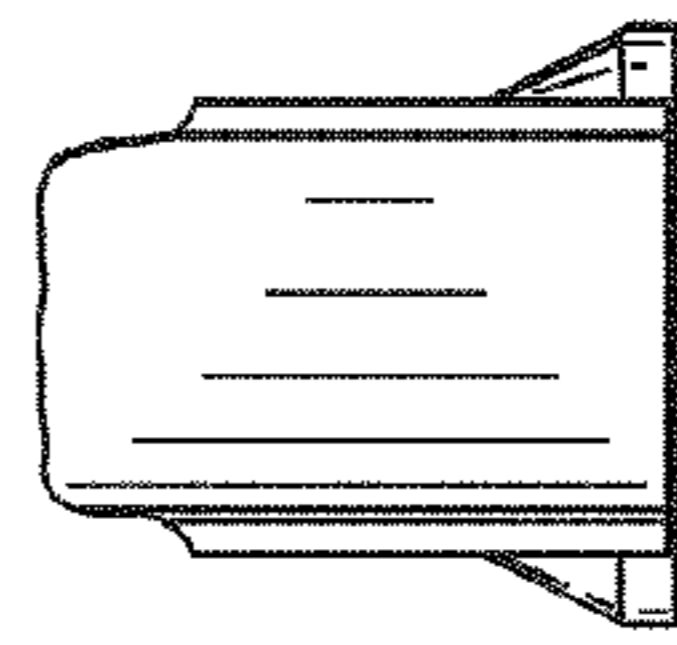


Fig. 6

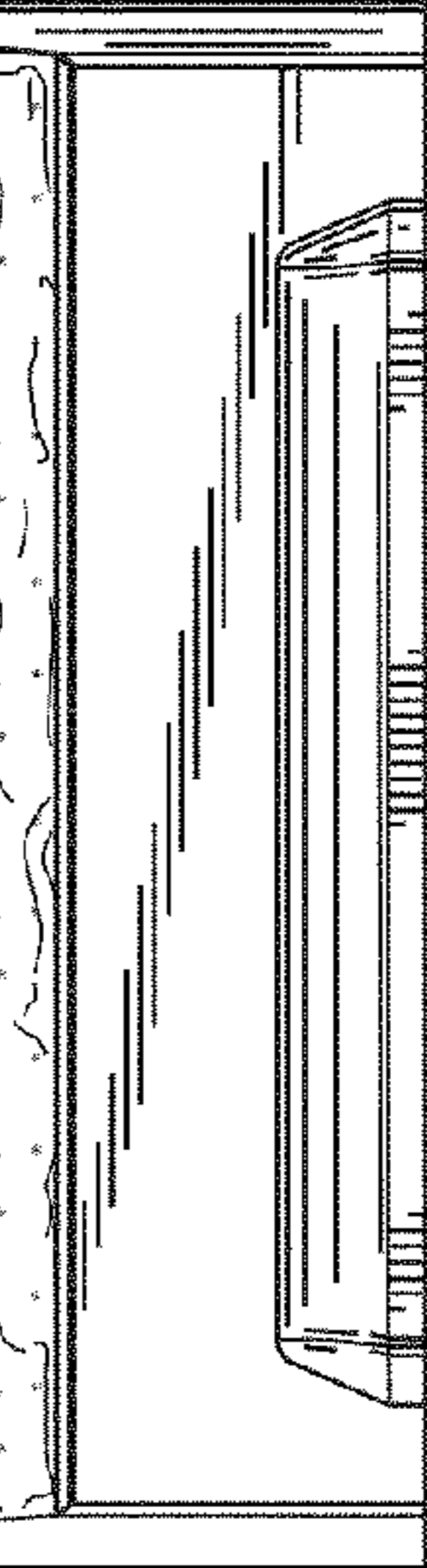


Fig. 3

Fig. 5