



US00D653354S

(12) **United States Design Patent**
Uffner et al.

(10) **Patent No.:** **US D653,354 S**
(45) **Date of Patent:** **** Jan. 31, 2012**

(54) **SLIDE TOP SHED**

(75) Inventors: **Michael Uffner**, Naperville, IL (US);
Michael R. Vogler, Oswego, IL (US)

(73) Assignee: **Suncast Technologies, LLC**, Palm
Beach Gardens, FL (US)

(**) Term: **14 Years**

(21) Appl. No.: **29/396,560**

(22) Filed: **Jul. 1, 2011**

(51) **LOC (9) Cl.** **25-03**

(52) **U.S. Cl.** **D25/32**

(58) **Field of Classification Search** D25/1-35;
52/2.17, 2.25, 86, 64, 66, 67, 71, 72, 80,
52/82; 174/379

See application file for complete search history.

(56) **References Cited**

U.S. PATENT DOCUMENTS

D393,724 S *	4/1998	Sagol	D25/16
D399,575 S *	10/1998	Hunt	D25/33
D405,540 S *	2/1999	Maple	D25/16
D455,501 S *	4/2002	Greene	D25/33
D469,188 S *	1/2003	Tisbo et al.	D25/33
D479,882 S *	9/2003	Tisbo et al.	D25/33

D547,880 S *	7/2007	Ashby et al.	D25/33
D622,861 S *	8/2010	Vogler et al.	D25/33
D622,862 S *	8/2010	Vogler et al.	D25/33
D639,450 S *	6/2011	Vogler et al.	D25/33
D641,496 S *	7/2011	Phillips et al.	D25/33

* cited by examiner

Primary Examiner — T. Chase Nelson

Assistant Examiner — Eric Goodman

(74) *Attorney, Agent, or Firm* — McHale & Slavin, P.A.

(57) **CLAIM**

The ornamental design for a slide top shed, as shown and described.

DESCRIPTION

FIG. 1 is a front right perspective view of the slide top shed of the instant invention;

FIG. 2 is a front left perspective view thereof;

FIG. 3 is a front view thereof;

FIG. 4 is a rear view thereof;

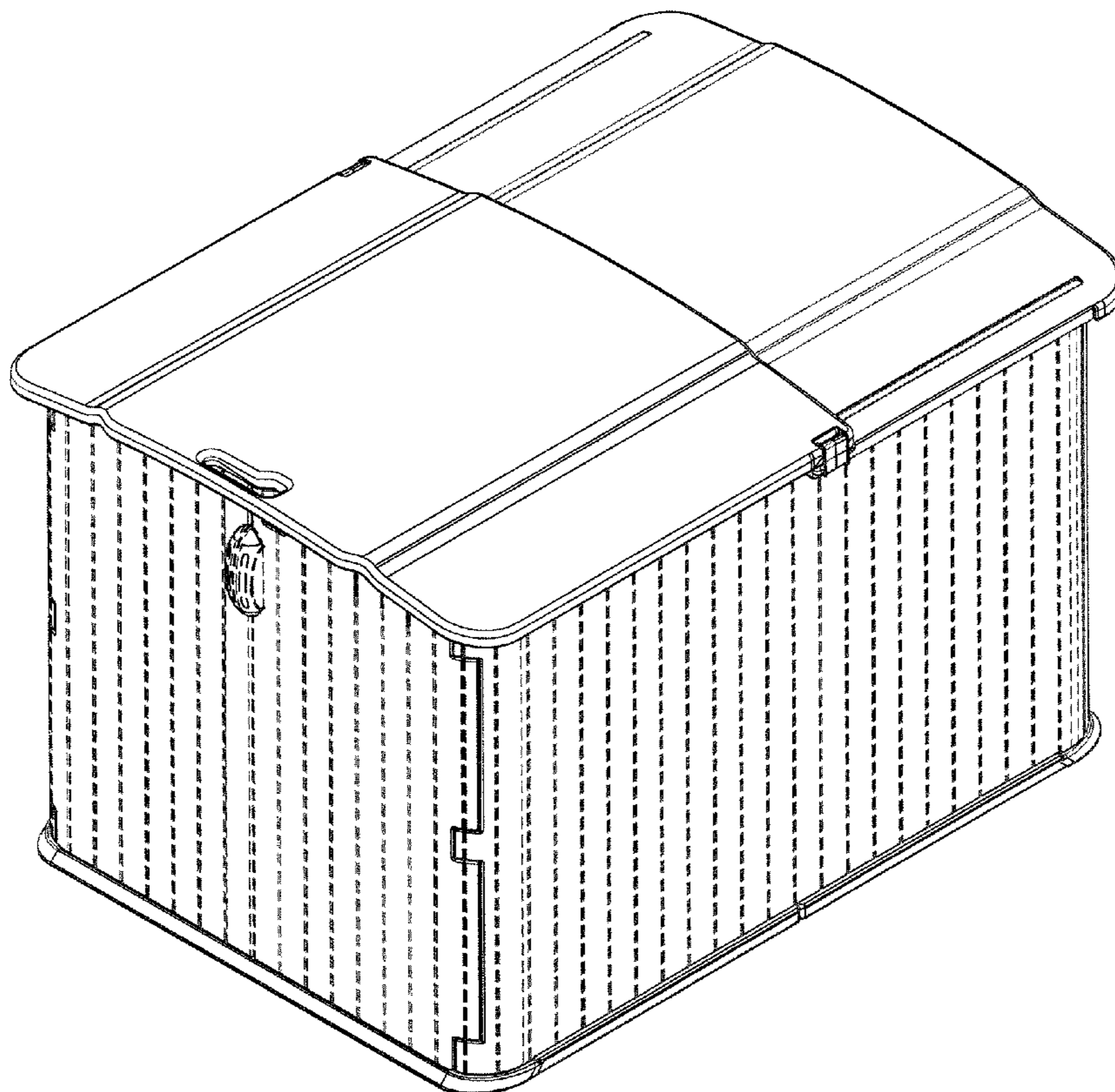
FIG. 5 is a left side view thereof;

FIG. 6 is a right side view thereof; and,

FIG. 7 is a top view thereof.

The portions of the figures illustrated in broken lines depict portions of the slide top shed that are not part of the claimed subject matter.

1 Claim, 7 Drawing Sheets



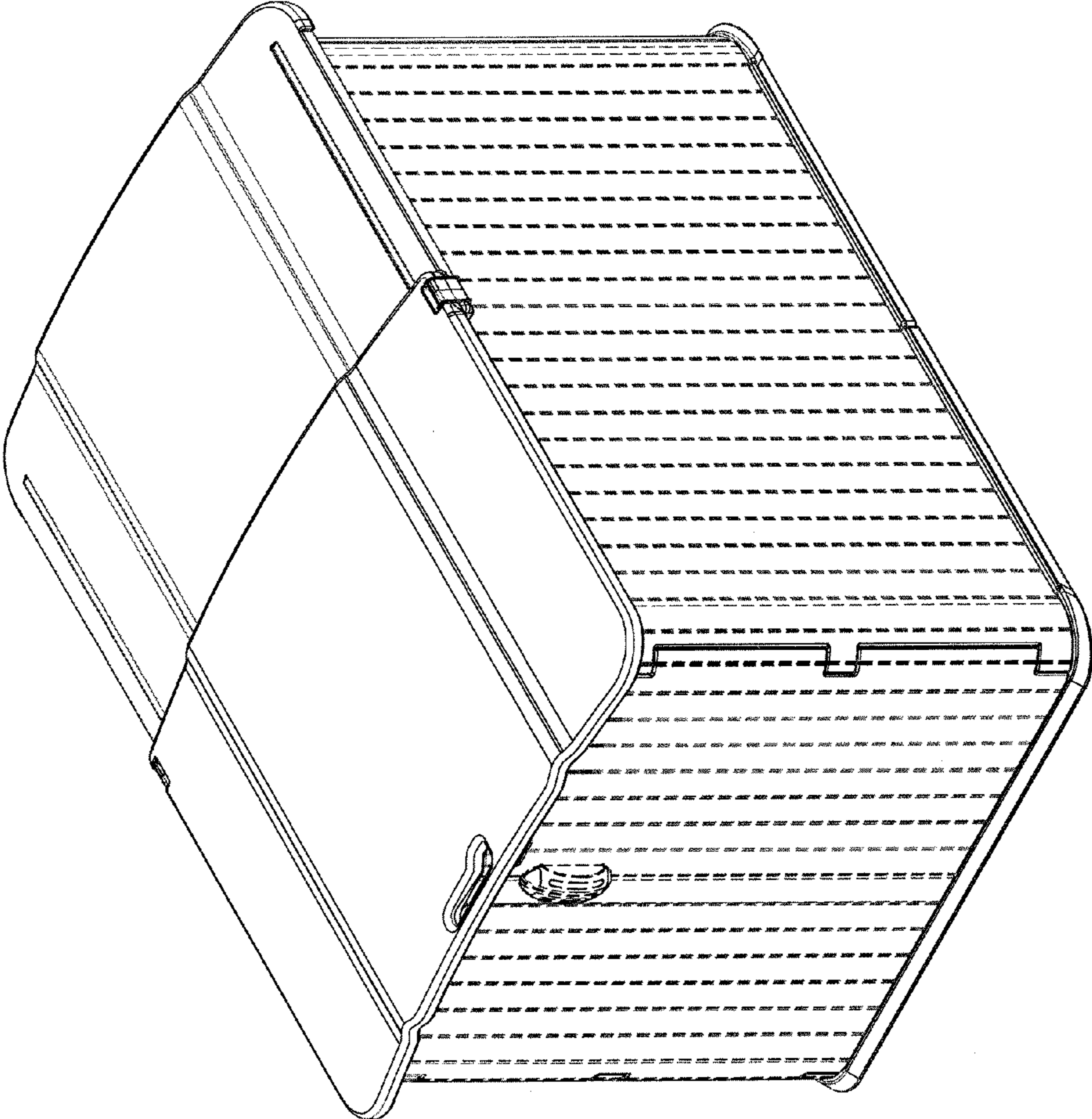


FIG. 1

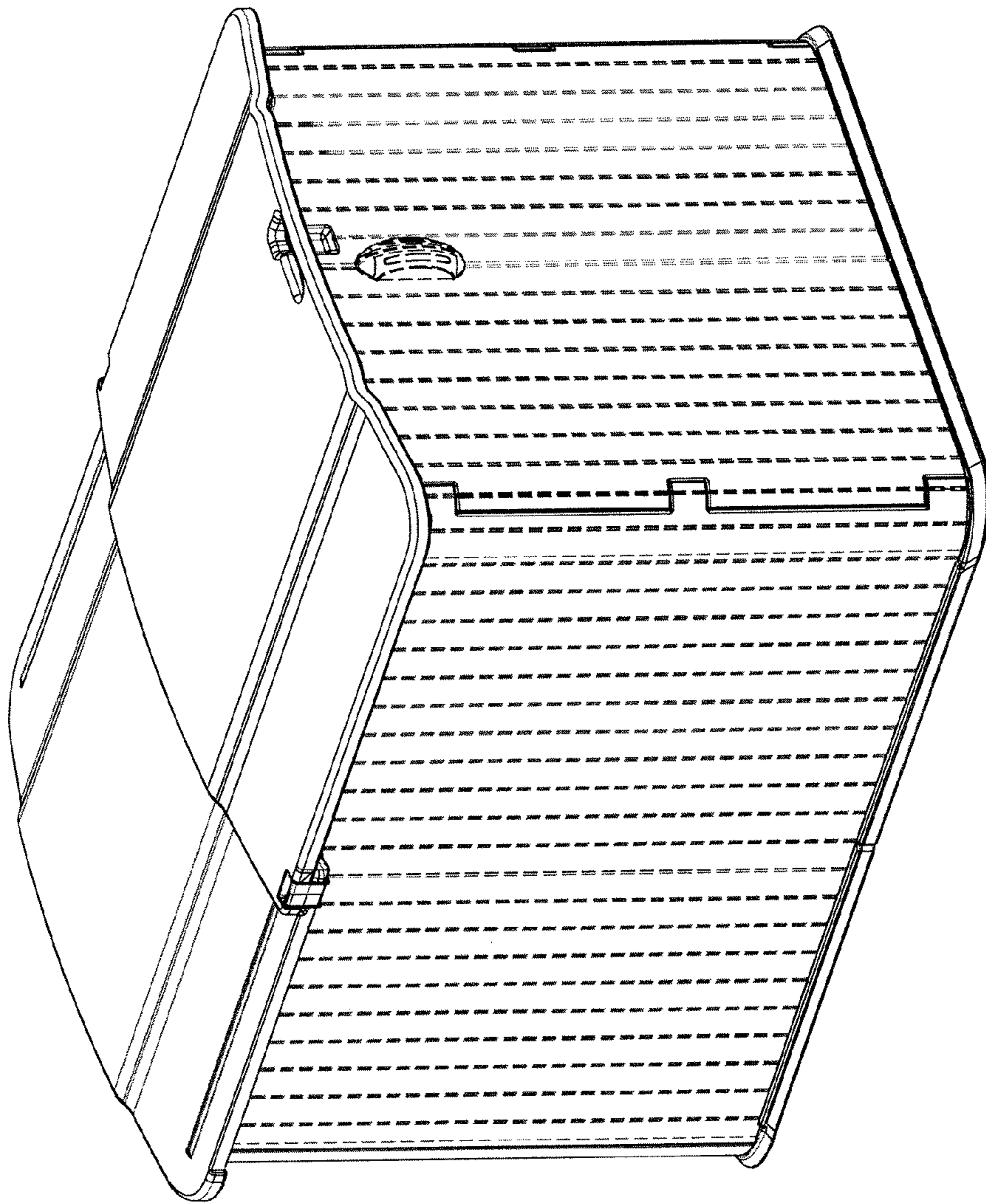


FIG. 2

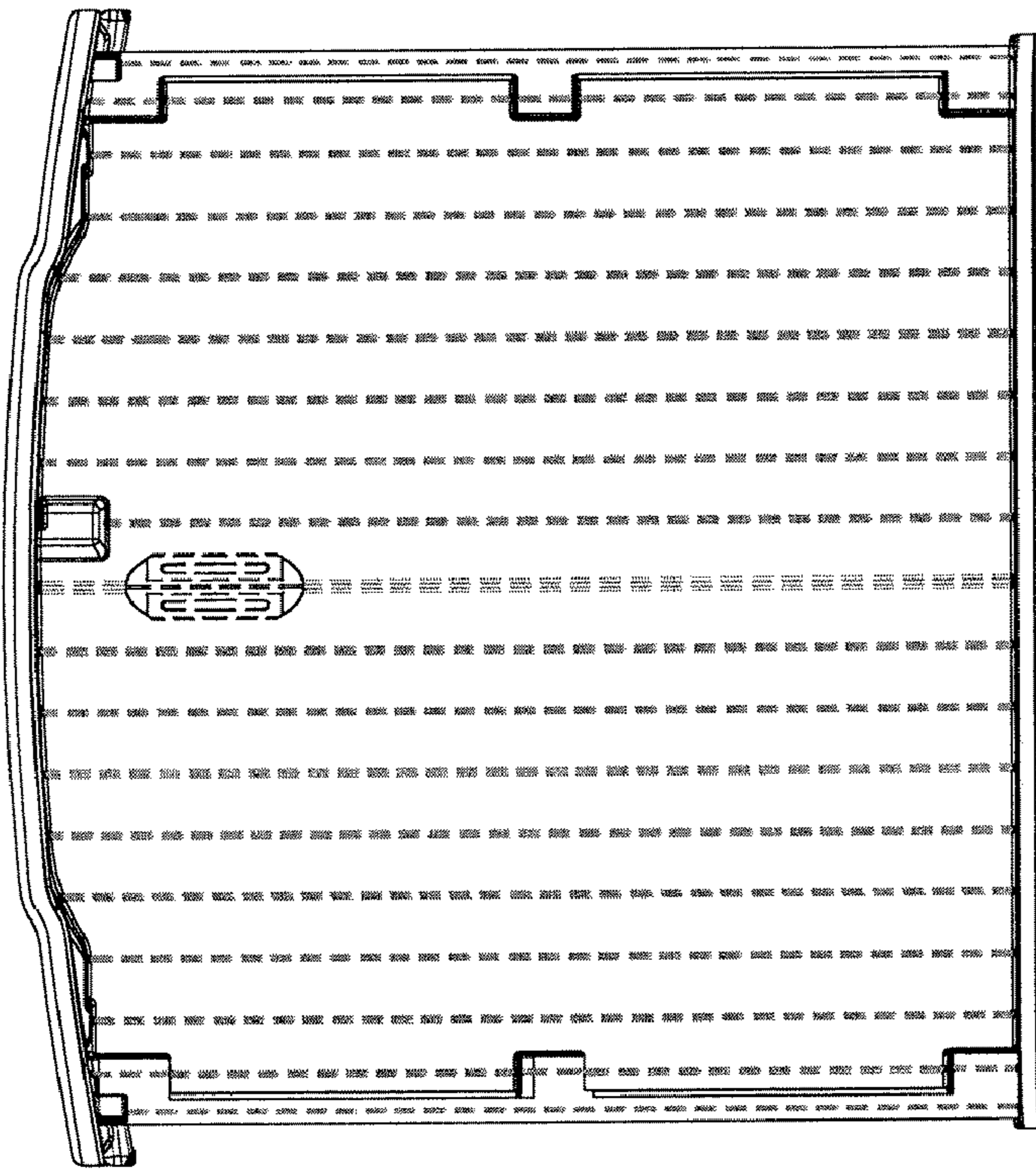


FIG. 3

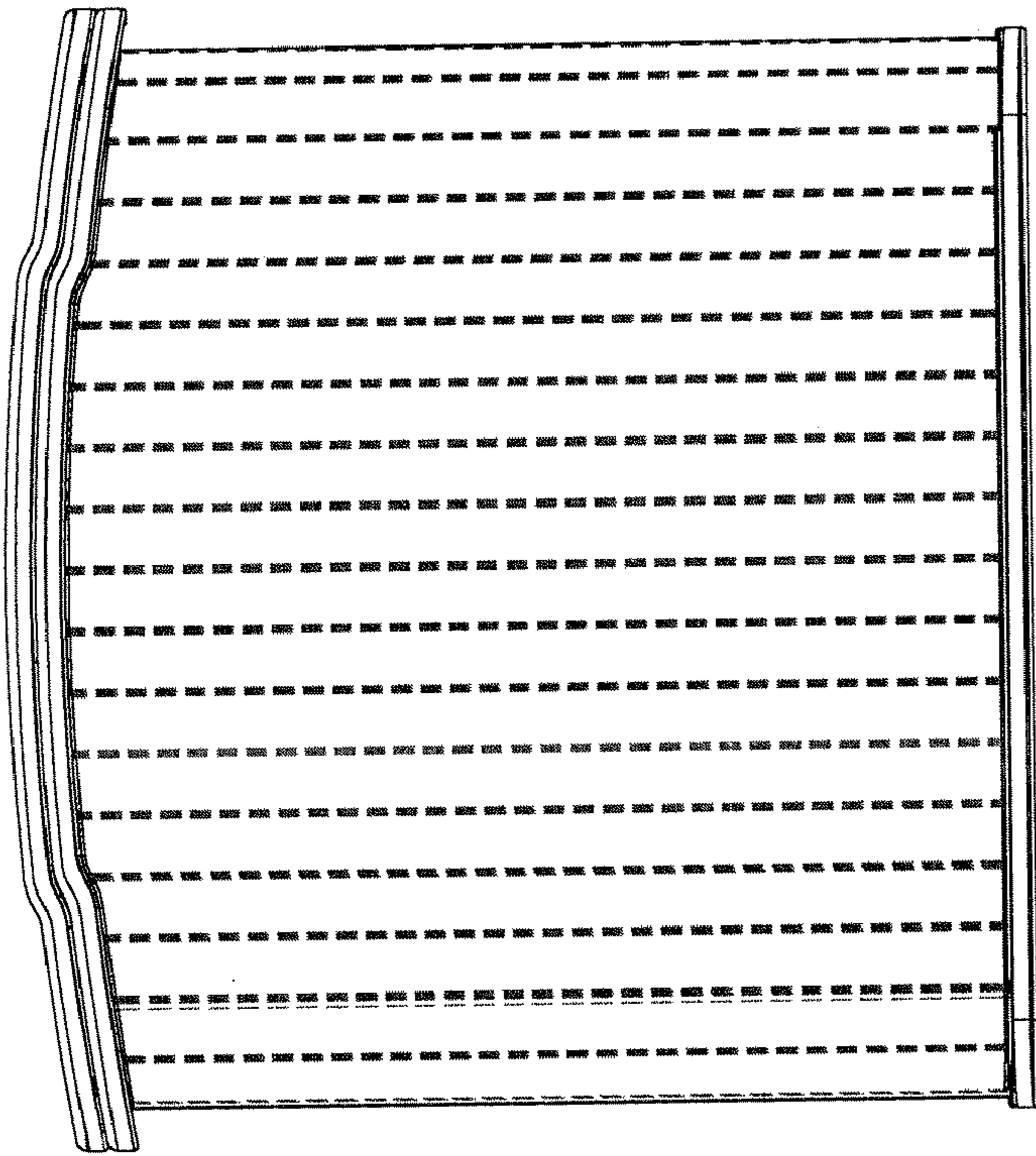


FIG. 4

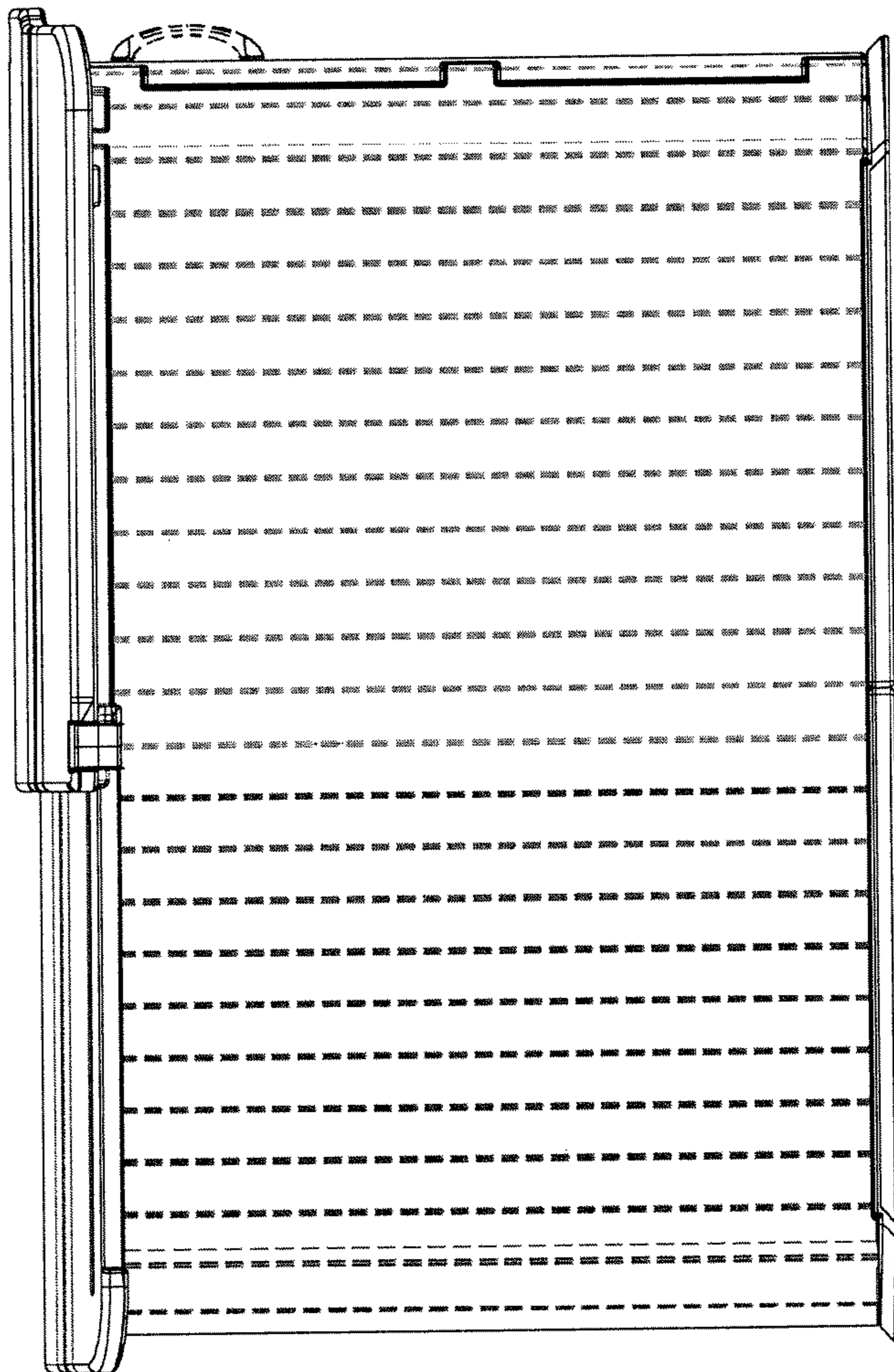


FIG. 5

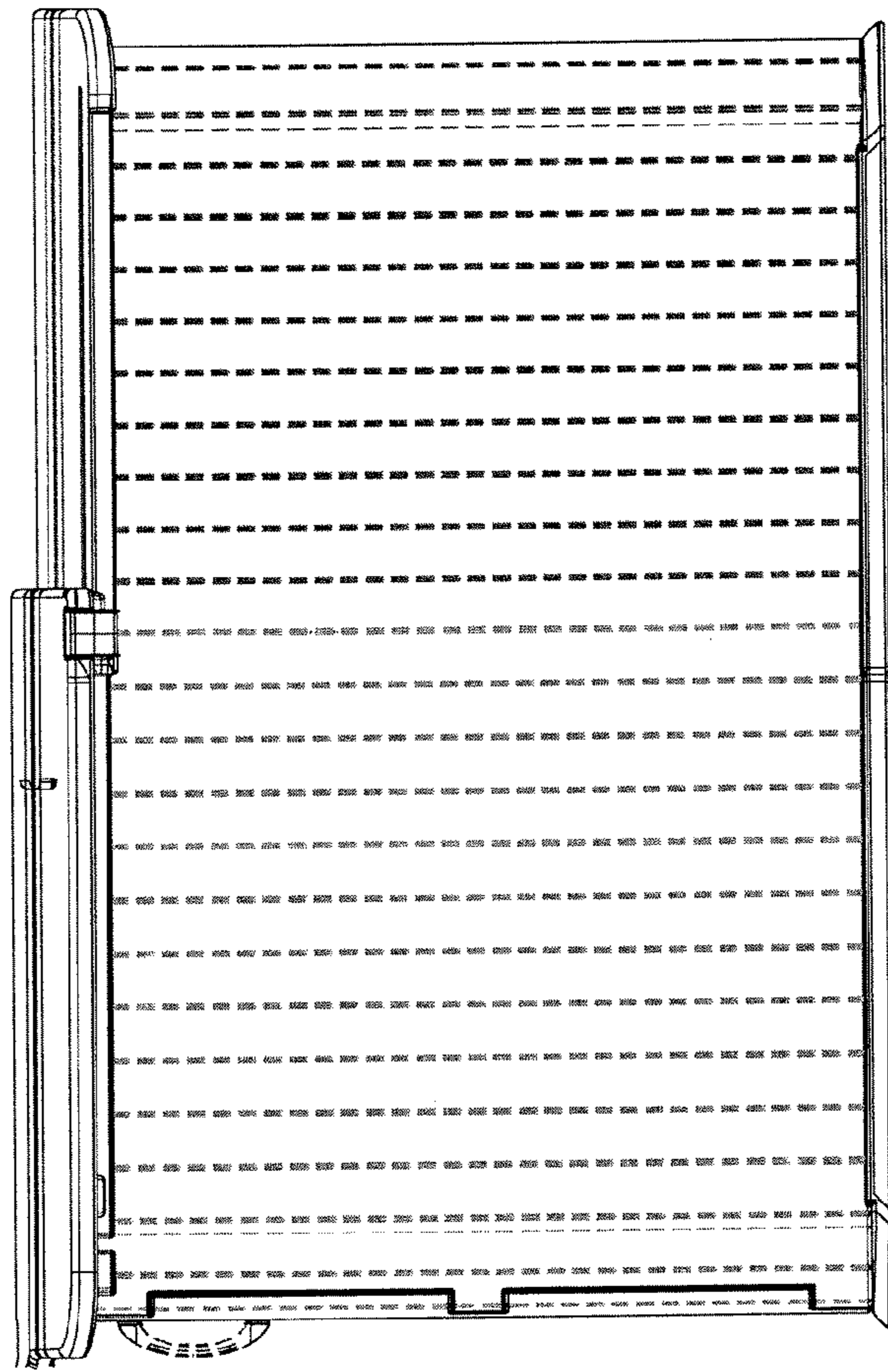


FIG. 6

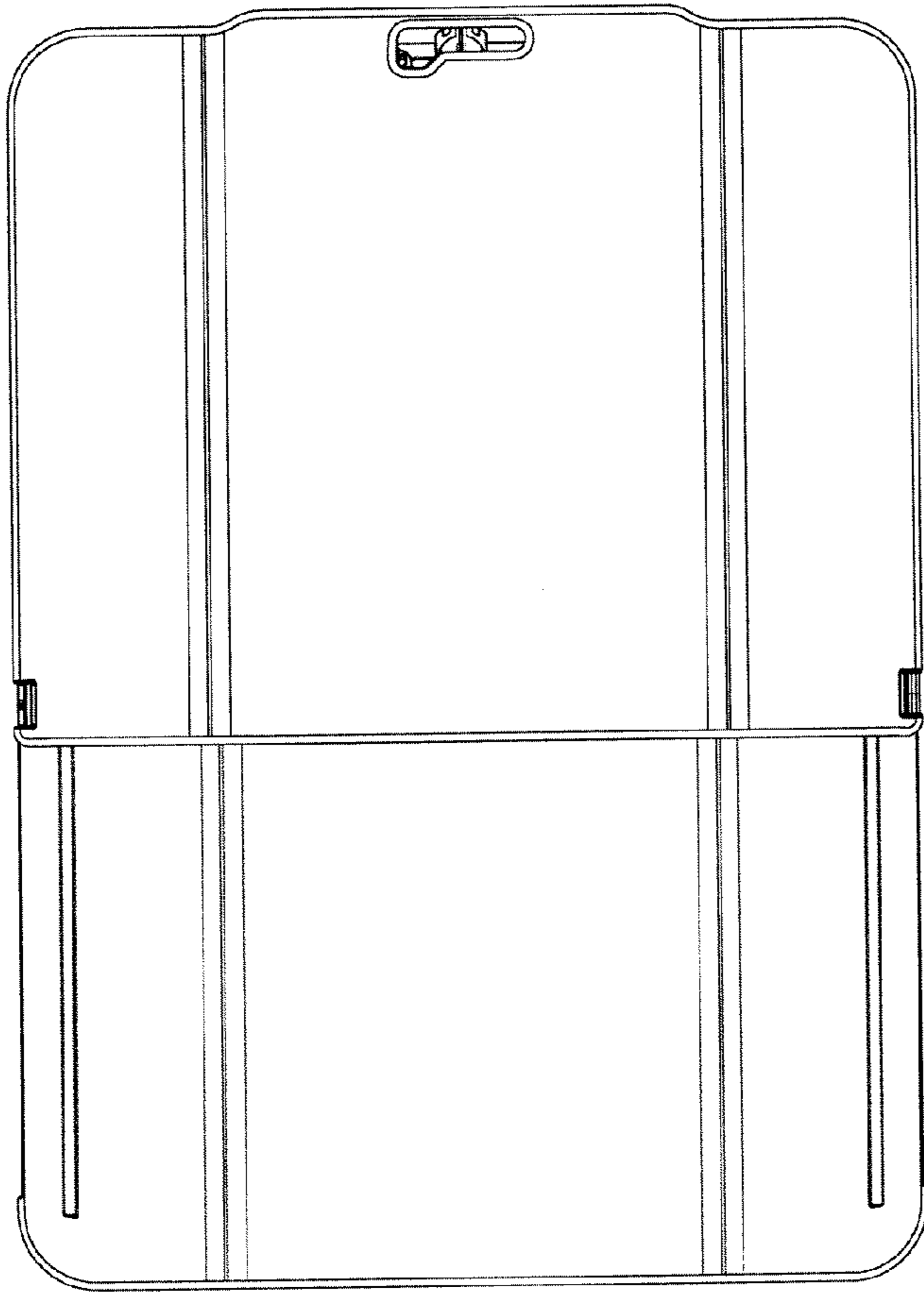


FIG. 7