



US00D653348S

(12) **United States Design Patent**  
**Barker et al.**

(10) **Patent No.:** **US D653,348 S**  
(45) **Date of Patent:** **\*\* Jan. 31, 2012**

(54) **PATIENT MONITOR**

(75) Inventors: **Nicholas Barker**, Laguna Beach, CA  
(US); **James Wilson**, Norwood, MA  
(US); **Allan Cameron**, Natick, MA  
(US); **Peter Schon**, New York City, NY  
(US)

(73) Assignee: **Mindray DS USA, Inc.**, Mahwah, NJ  
(US)

(\*\*) Term: **14 Years**

(21) Appl. No.: **29/383,813**

(22) Filed: **Jan. 21, 2011**

(51) **LOC (9) Cl.** ..... **24-02**

(52) **U.S. Cl.** ..... **D24/186**

(58) **Field of Classification Search** ..... D24/107,  
D24/111, 164-165, 168-169, 185-186; 600/301,  
600/481, 483-485, 509, 513, 519, 544; 128/900;  
D10/81, 104; D14/381, 126, 371  
See application file for complete search history.

(56) **References Cited**

**U.S. PATENT DOCUMENTS**

D393,072 S *	3/1998	Rogler	.....	D24/186
D395,513 S *	6/1998	Rogler	.....	D24/186
D427,315 S *	6/2000	Saltzstein et al.	.....	D24/186
D460,559 S *	7/2002	Knieriem et al.	.....	D24/186
D512,151 S *	11/2005	Ward et al.	.....	D24/111
D536,793 S *	2/2007	Assad et al.	.....	D24/185
D536,794 S *	2/2007	Knieriem et al.	.....	D24/186
D536,795 S *	2/2007	Knieriem et al.	.....	D24/186

D562,456 S *	2/2008	Scruggs et al.	.....	D24/160
D600,814 S *	9/2009	Lathrop et al.	.....	D24/186
D624,654 S *	9/2010	Shimizu	.....	D24/186
D627,883 S *	11/2010	Hayashi	.....	D24/138

\* cited by examiner

*Primary Examiner* — T. Chase Nelson

*Assistant Examiner* — Mark Cavanna

(74) *Attorney, Agent, or Firm* — Kory D. Christensen; Stoel Rives LLP

(57) **CLAIM**

The ornamental design for a patient monitor, as shown and described.

**DESCRIPTION**

©2010 Mindray DS USA, Inc. A portion of the disclosure of this patent document contains material to which a claim for copyright is made. The copyright owner has no objection to the facsimile reproduction by anyone of the patent document or the patent disclosure, as it appears in the file or records of the U.S. Patent and Trademark Office, but reserves all other copyright rights whatsoever.

FIG. 1 is a front perspective view of a patient monitor, showing our new design;

FIG. 2 is a front elevation view thereof;

FIG. 3 is a left side elevation view thereof;

FIG. 4 is a right side elevation view thereof;

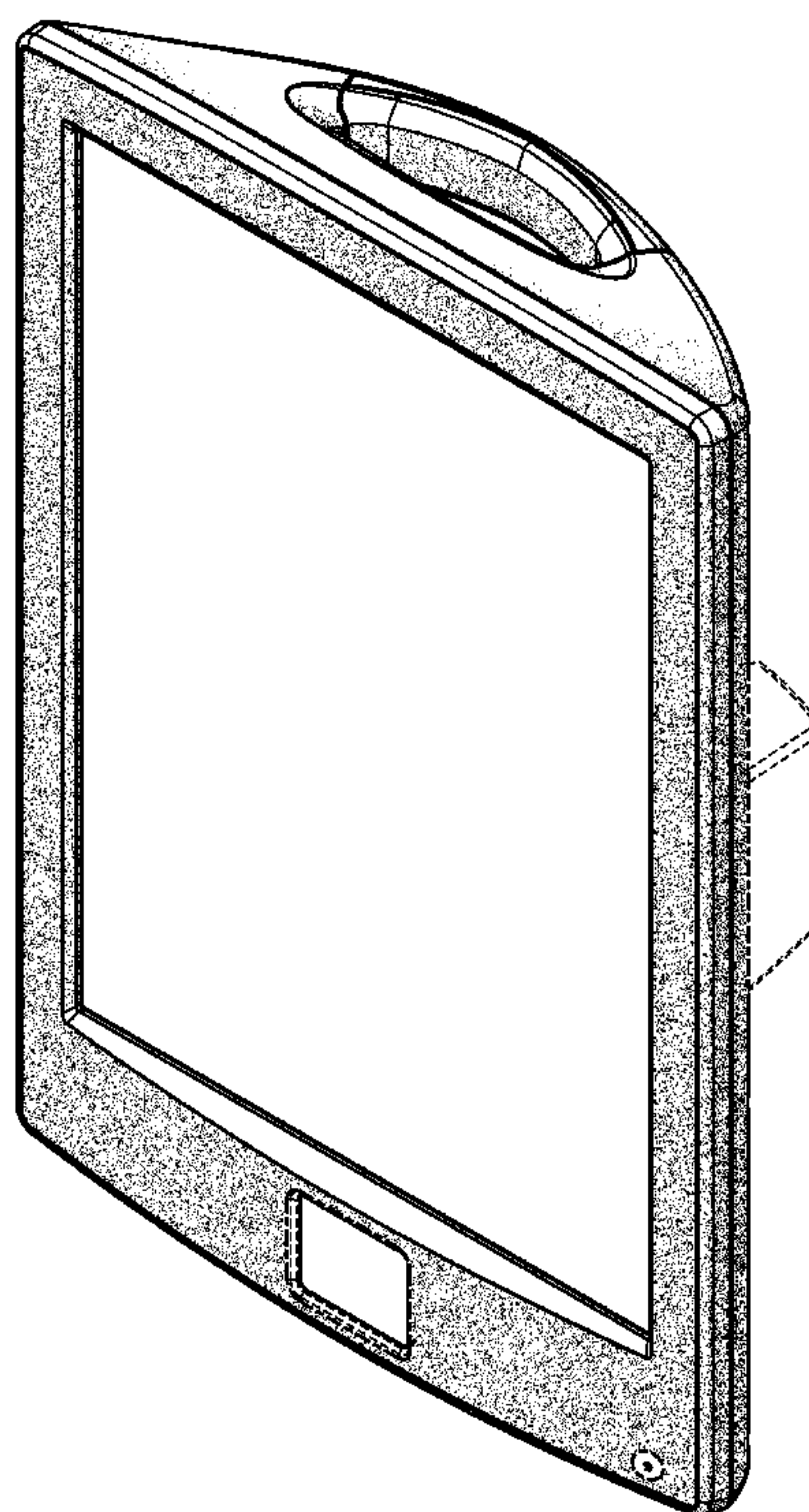
FIG. 5 is a rear elevation view thereof;

FIG. 6 is a top plan view thereof; and,

FIG. 7 is a bottom plan view thereof.

The broken lines immediately adjacent the shaded areas represent the bounds of the claimed design, while all other broken lines are directed to environment; the broken lines form no part of the claimed design.

**1 Claim, 7 Drawing Sheets**



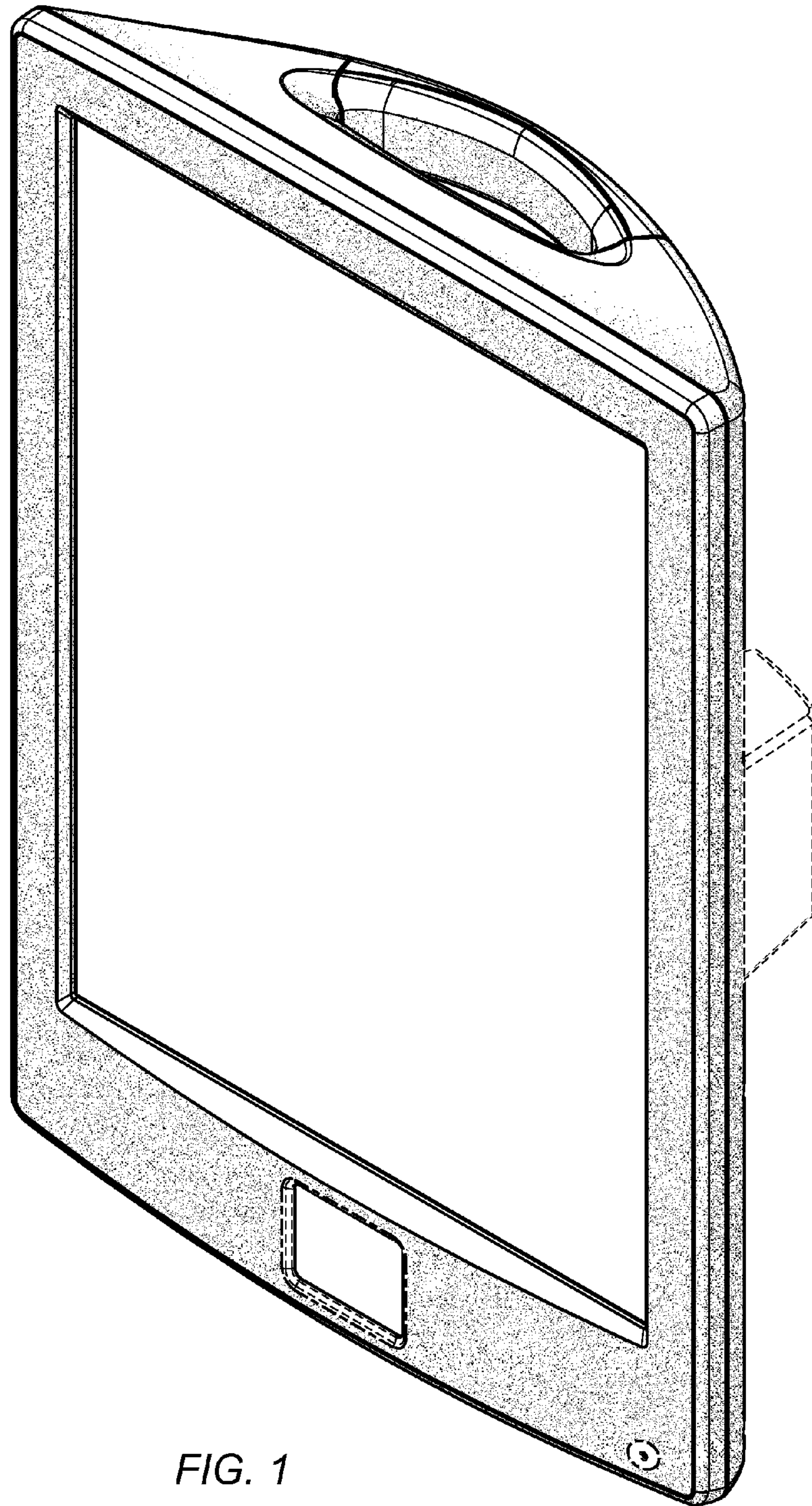


FIG. 1



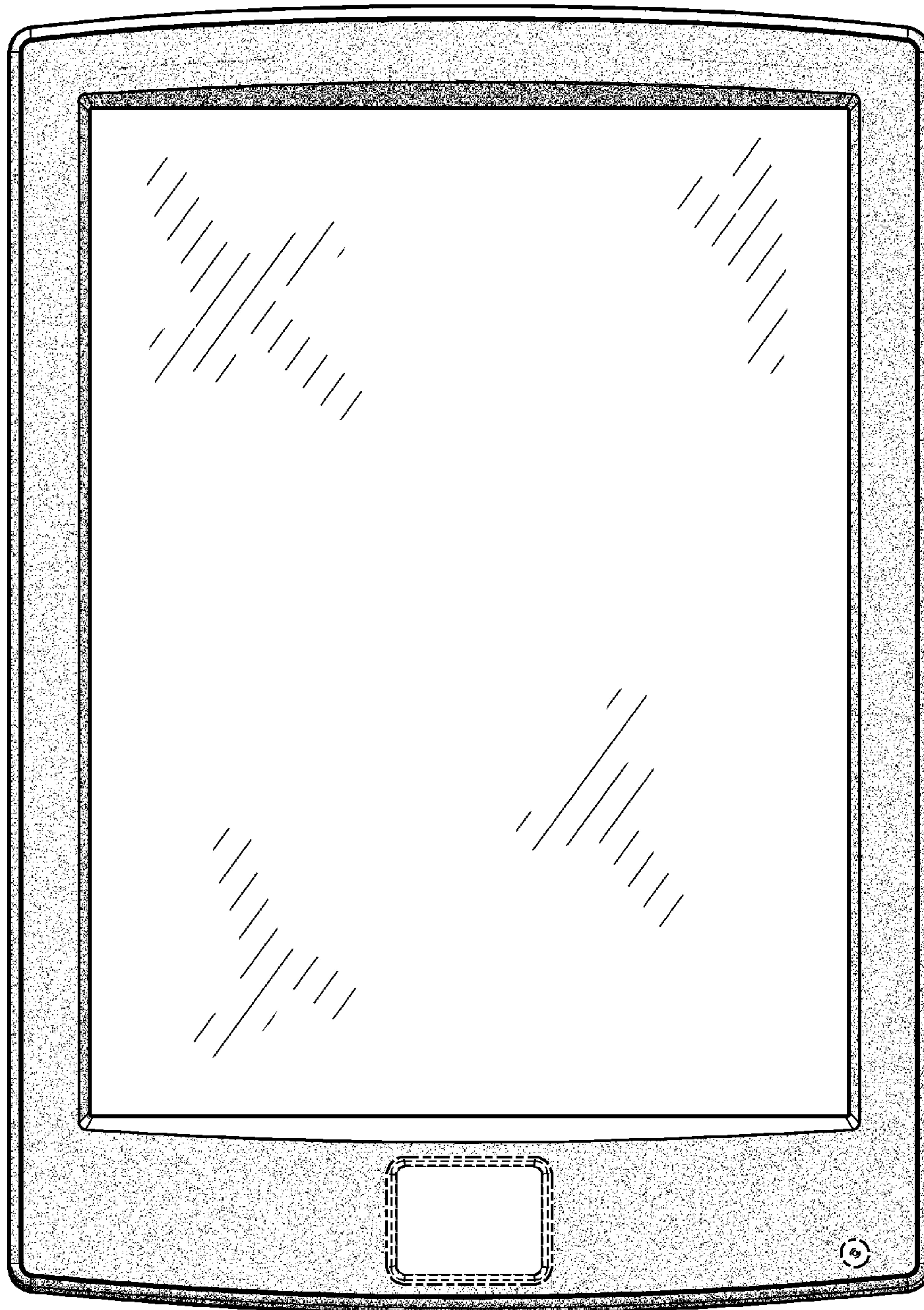


FIG. 2

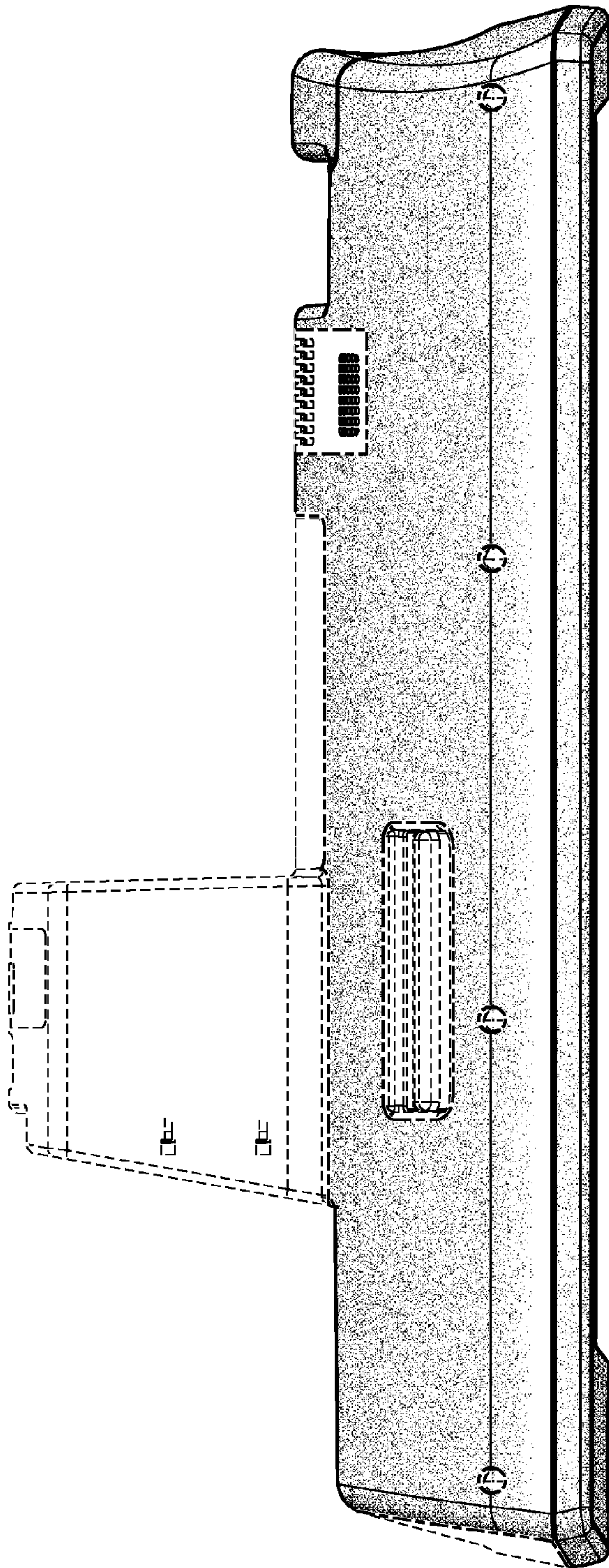


FIG. 3



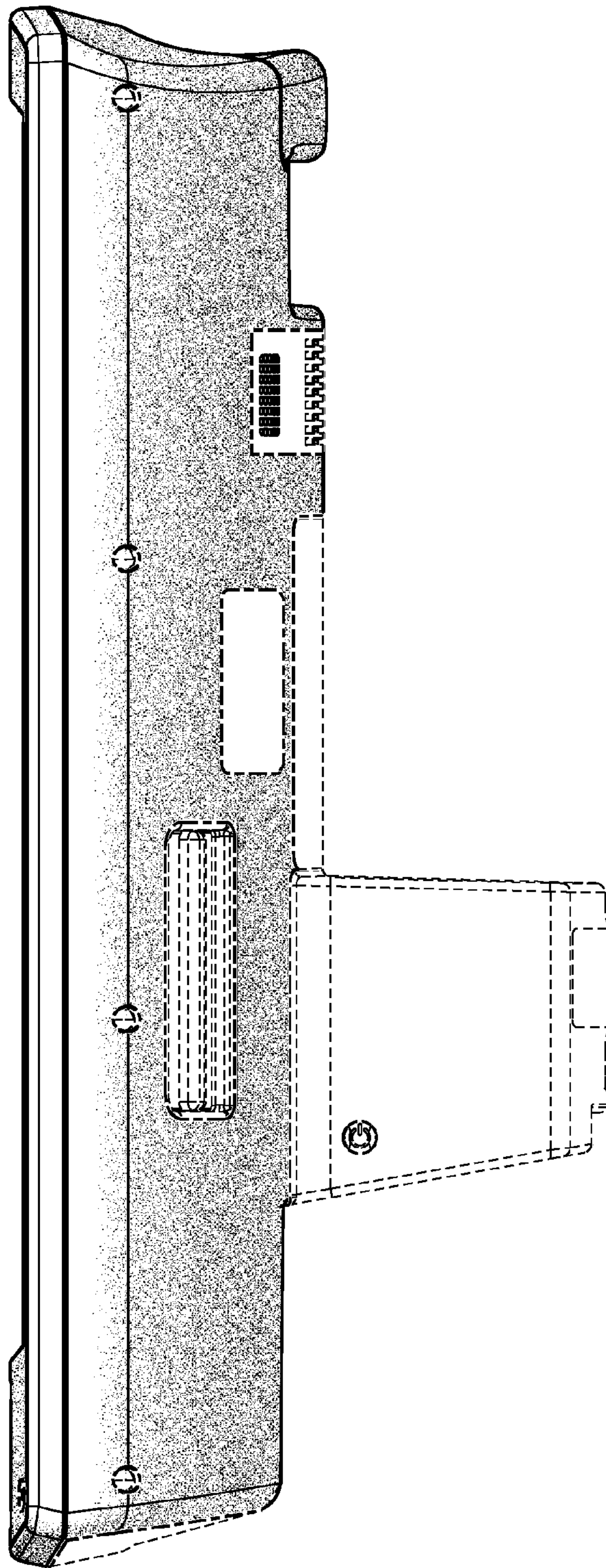


FIG. 4



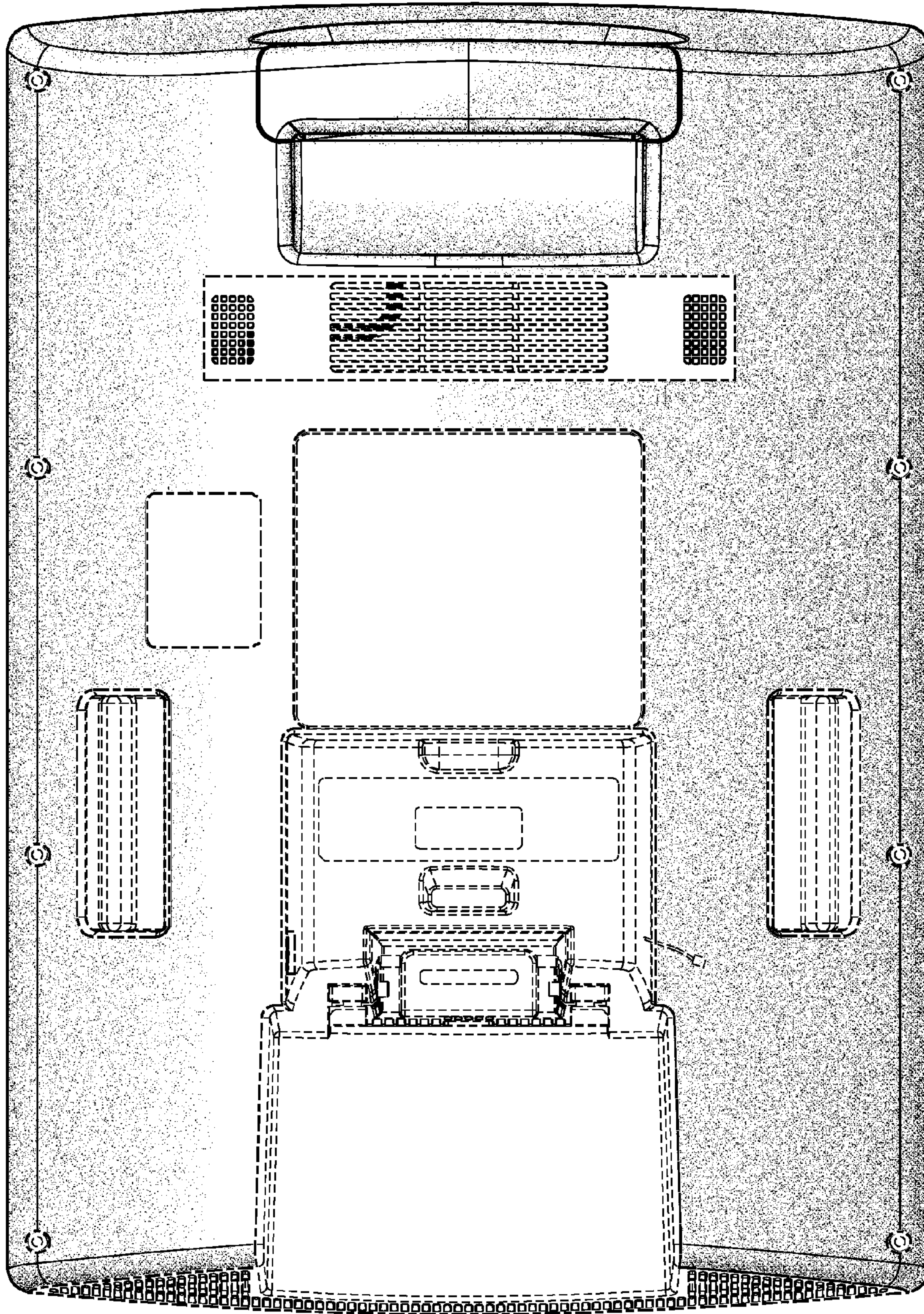


FIG. 5



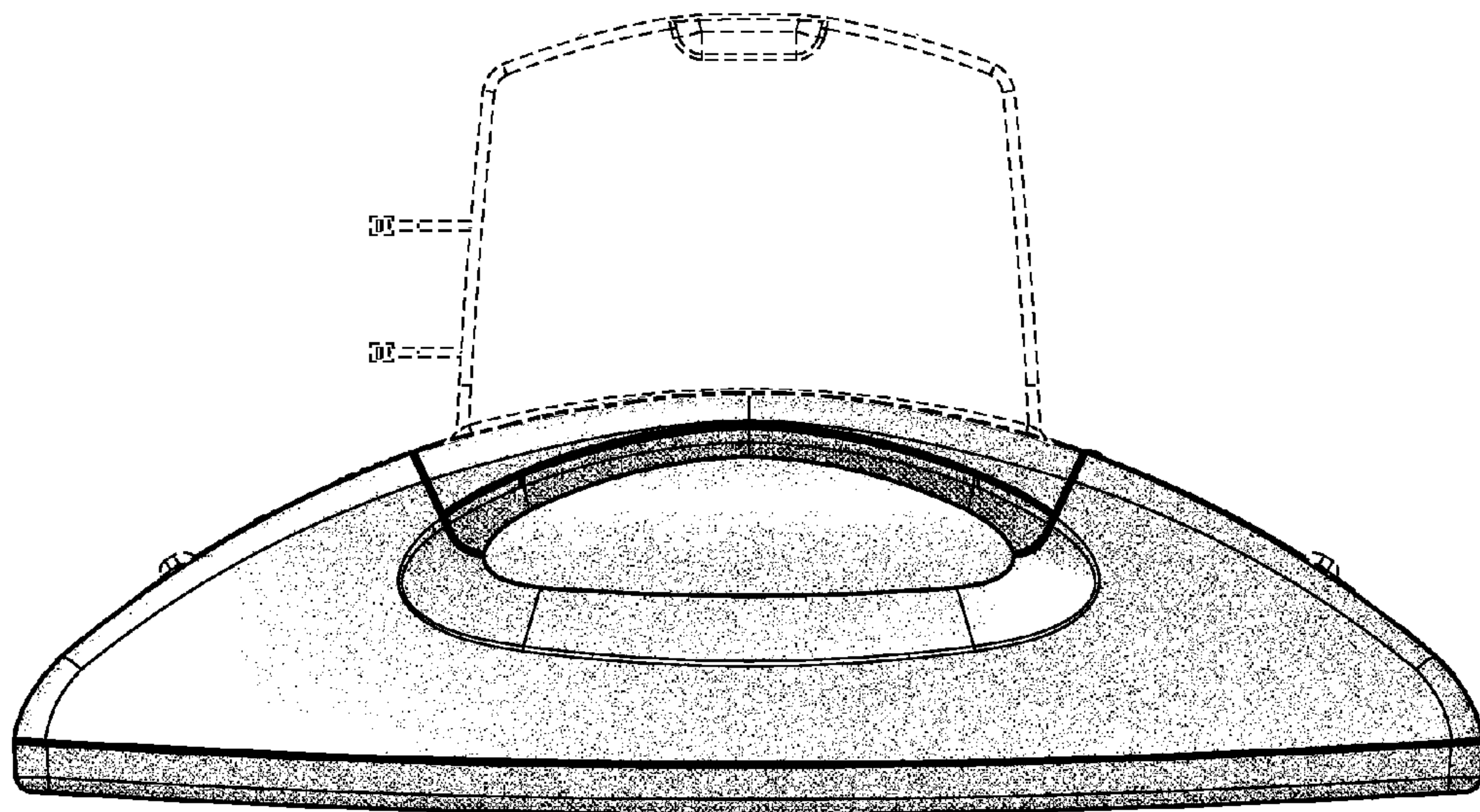


FIG. 6

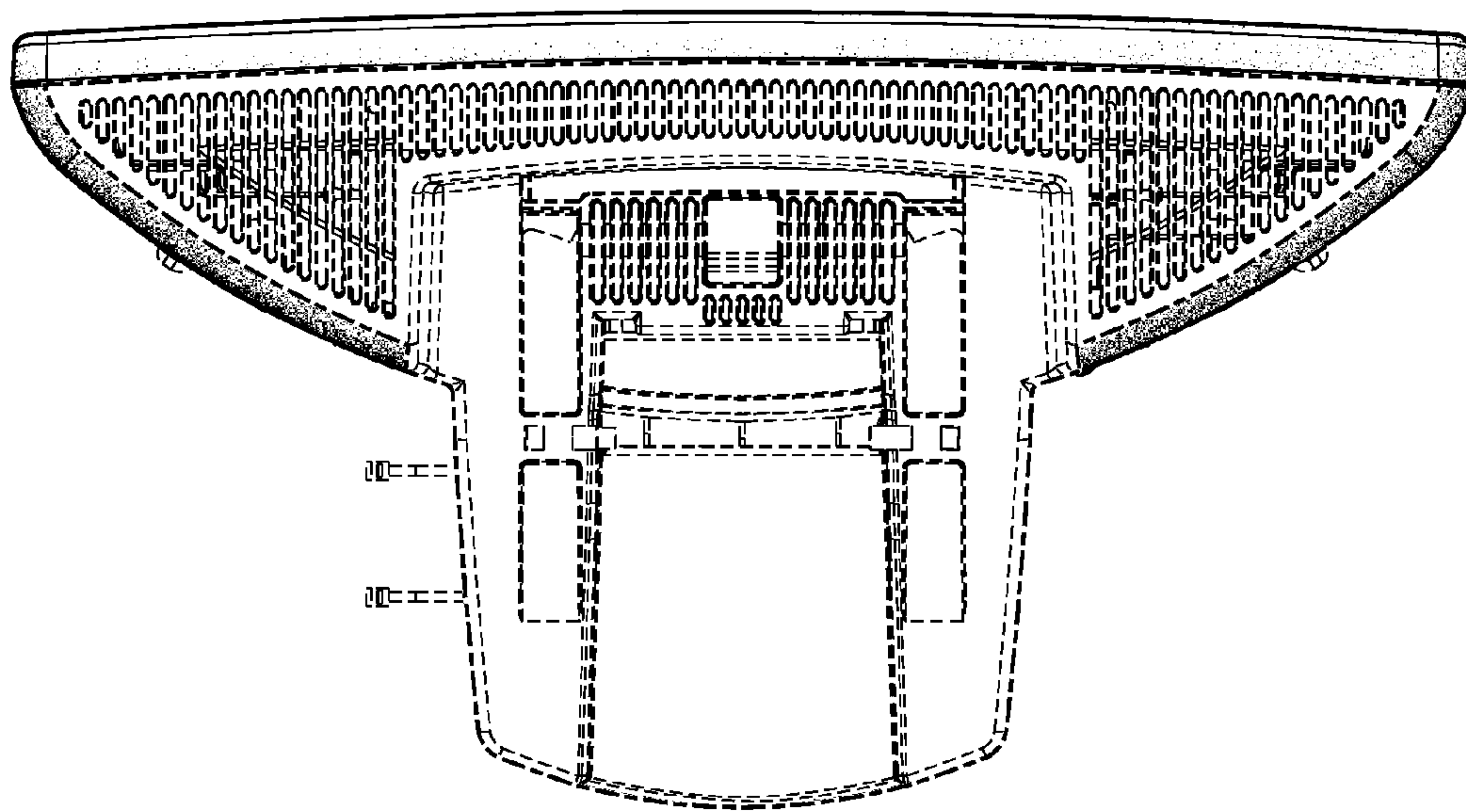


FIG. 7