



US00D653347S

(12) **United States Design Patent**  
**Tani et al.**

(10) **Patent No.:** **US D653,347 S**  
(45) **Date of Patent:** **\*\* Jan. 31, 2012**

(54) **HOLDER FOR MEDICAL ULTRASOUND EQUIPMENT**

(75) Inventors: **Ryosuke Tani**, Ehime (JP); **Tamotsu Senda**, Ehime (JP); **Noriyuki Shinohara**, Ehime (JP)

(73) Assignee: **Panasonic Corporation**, Osaka (JP)

(\*\*) Term: **14 Years**

(21) Appl. No.: **29/387,983**

(22) Filed: **Mar. 22, 2011**

(30) **Foreign Application Priority Data**

Oct. 27, 2010 (JP) ..... 2010-025775

(51) **LOC (9) Cl.** ..... **24-01**

(52) **U.S. Cl.** ..... **D24/185**

(58) **Field of Classification Search** ..... D24/183-186,  
D24/128, 176-177, 227, 152, 232, 160, 158;  
D8/356; 128/922, 660.01, 660.02, 660.03,  
128/660.07, 653; 248/56, 918; D29/130  
See application file for complete search history.

(56) **References Cited**

**U.S. PATENT DOCUMENTS**

D354,353 S \* 1/1995 Ishizuka et al. .... D24/160  
D365,148 S \* 12/1995 Murakami et al. .... D24/160  
D375,450 S \* 11/1996 Bidwell et al. .... D8/356  
D383,968 S \* 9/1997 Bidwell et al. .... D8/356  
D391,838 S \* 3/1998 Bidwell et al. .... D8/356  
D480,810 S \* 10/2003 Gumisawa ..... D24/158  
D512,508 S \* 12/2005 Mesaros ..... D24/185  
D544,962 S \* 6/2007 Diener et al. .... D24/186

D554,264 S \* 10/2007 Watson et al. .... D24/186  
D560,807 S \* 1/2008 Kitayama et al. .... D24/158  
D571,011 S \* 6/2008 Otoha et al. .... D24/158  
D609,349 S \* 2/2010 Pelissier et al. .... D24/186  
D618,356 S \* 6/2010 Ross ..... D29/130  
D626,239 S \* 10/2010 Lia et al. .... D24/185  
2004/0179332 A1 \* 9/2004 Smith et al. .... 361/681

**FOREIGN PATENT DOCUMENTS**

JP D1068333 4/2000  
JP D1400877 11/2010

\* cited by examiner

*Primary Examiner* — T. Chase Nelson

*Assistant Examiner* — Mark Cavanna

(74) *Attorney, Agent, or Firm* — Brinks Hofer Gilson & Lione

(57) **CLAIM**

We claim the ornamental design for a holder for medical ultrasound equipment, as shown and described.

**DESCRIPTION**

FIG. 1 is a front perspective view of a holder for medical ultrasound equipment of the present invention;  
FIG. 2 is a rear perspective view thereof;  
FIG. 3 is a front view thereof;  
FIG. 4 is a rear view thereof;  
FIG. 5 is a first side view thereof;  
FIG. 6 is a second side view thereof;  
FIG. 7 is a top view thereof; and,  
FIG. 8 is a bottom view thereof.

The broken lines are included for the purpose of illustrating portions of the holder for medical ultrasound equipment that form no part of the claimed design.

**1 Claim, 5 Drawing Sheets**

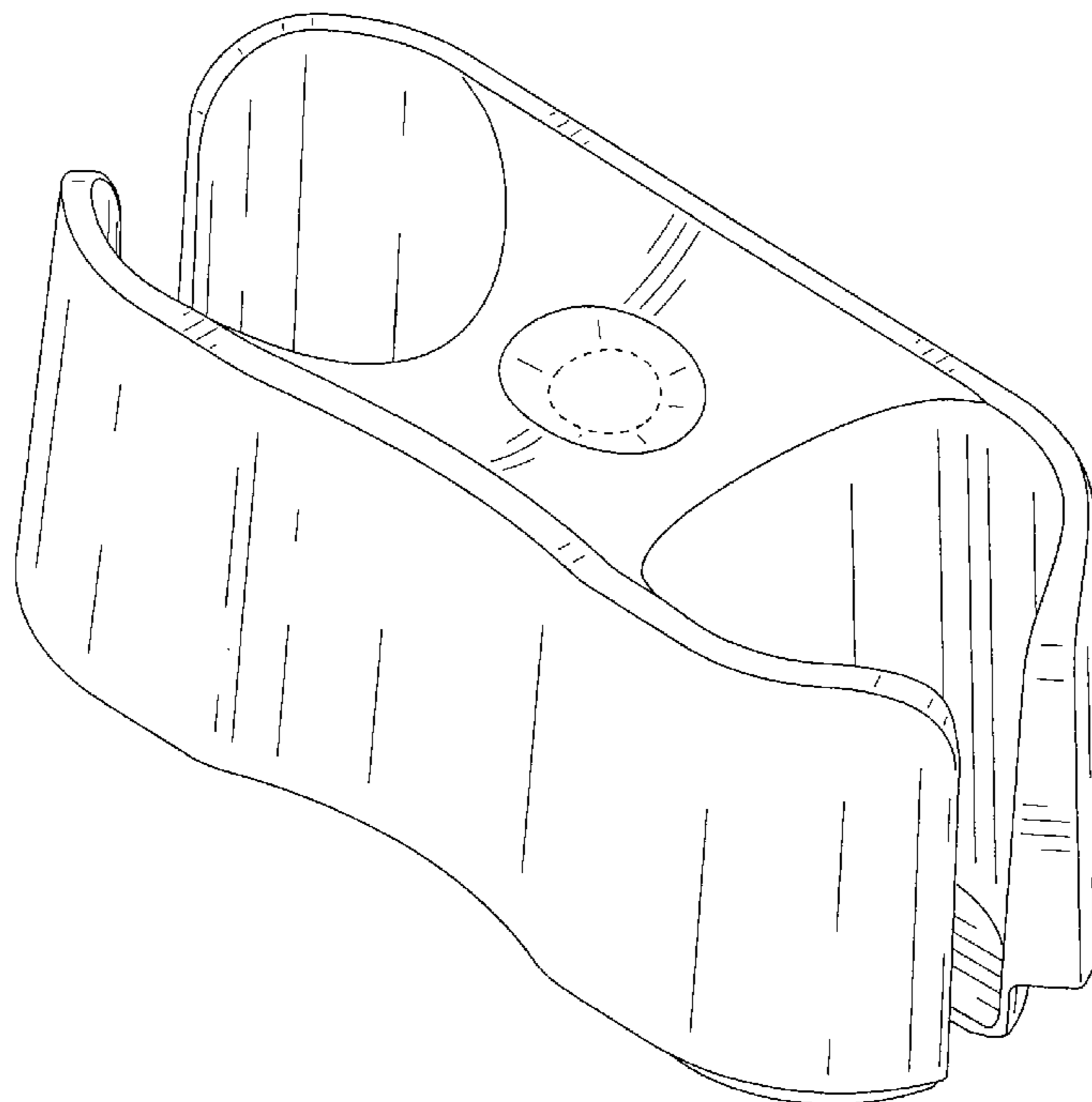


FIG.1

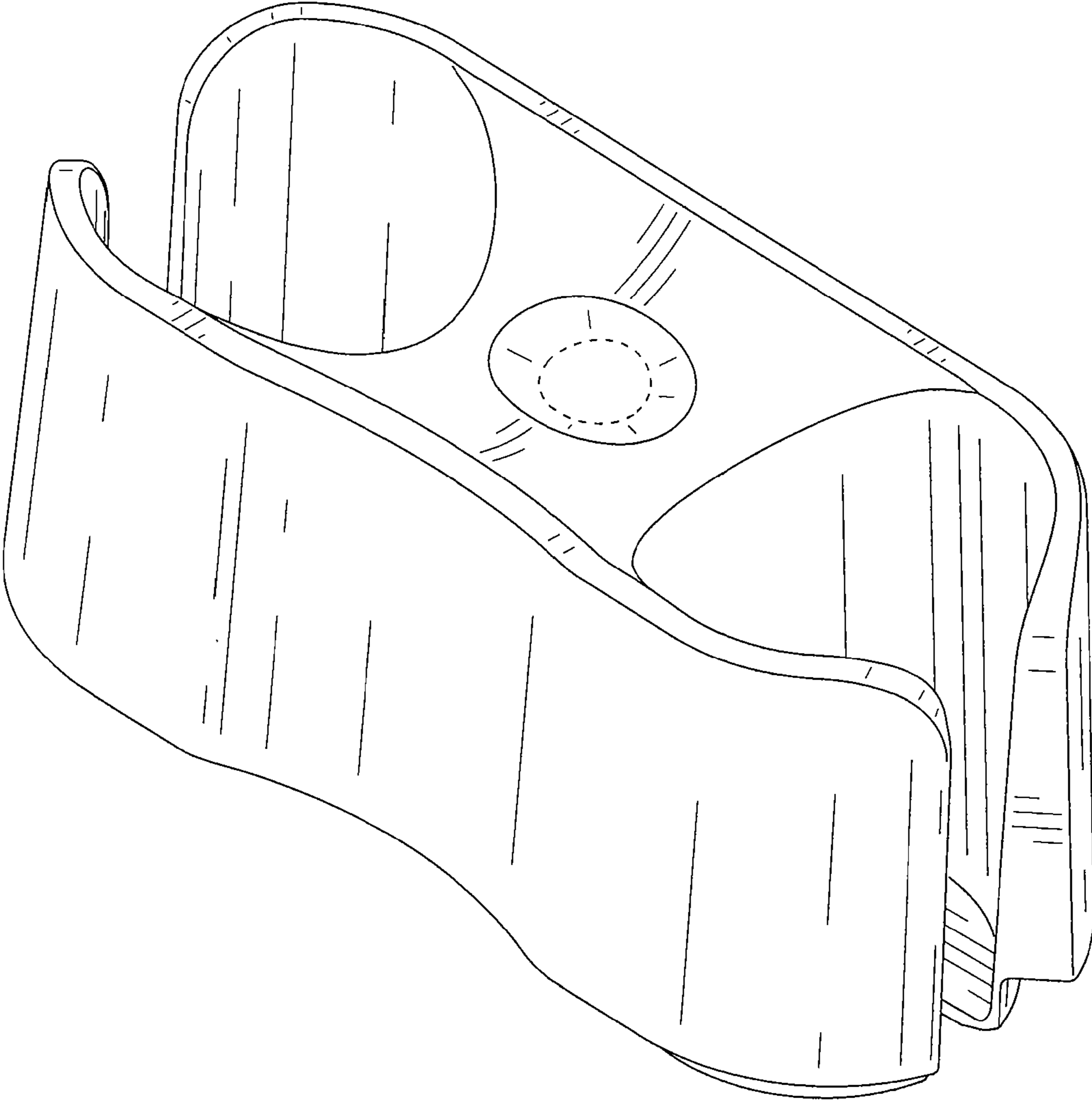


FIG.2

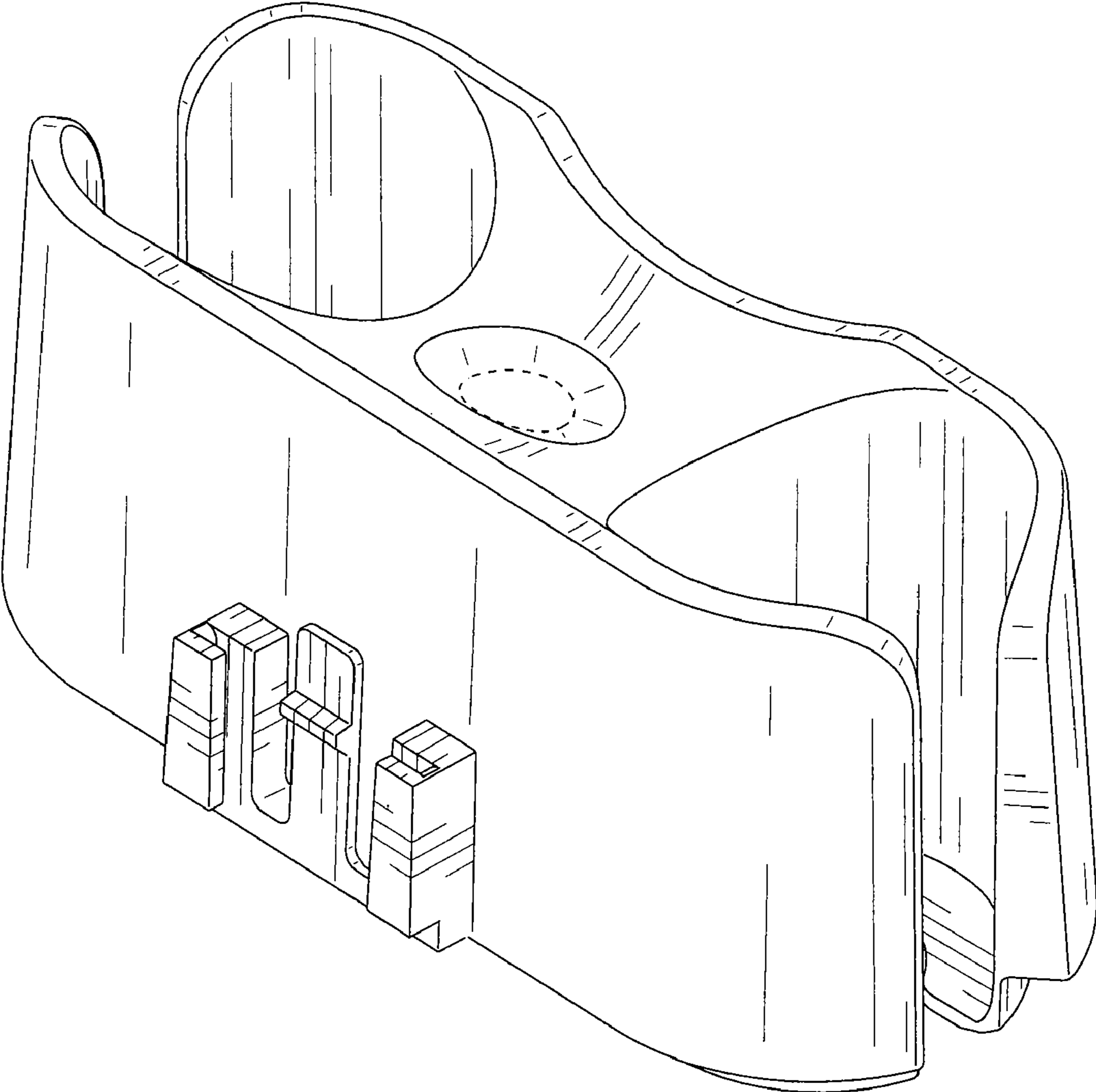


FIG.3

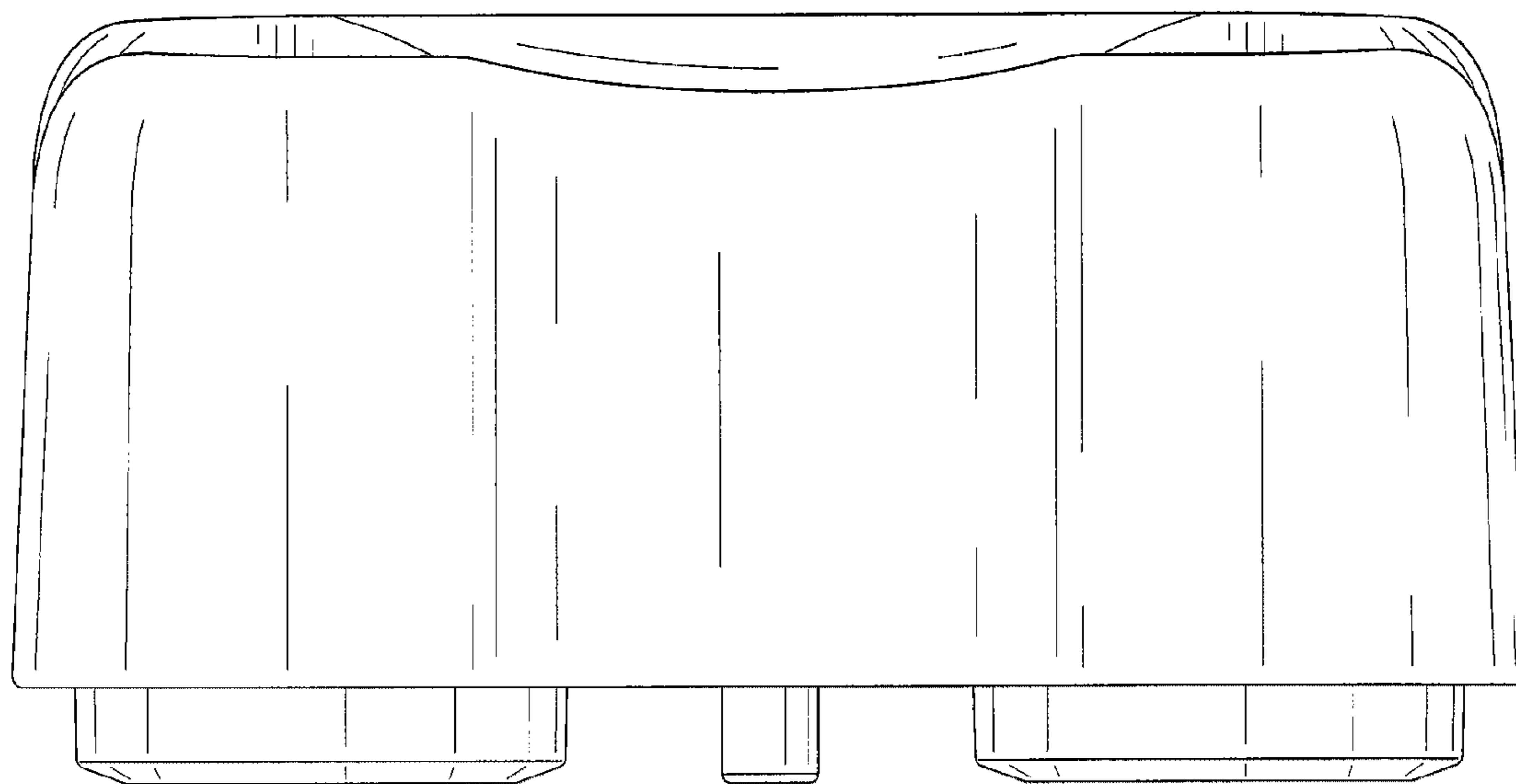


FIG.4

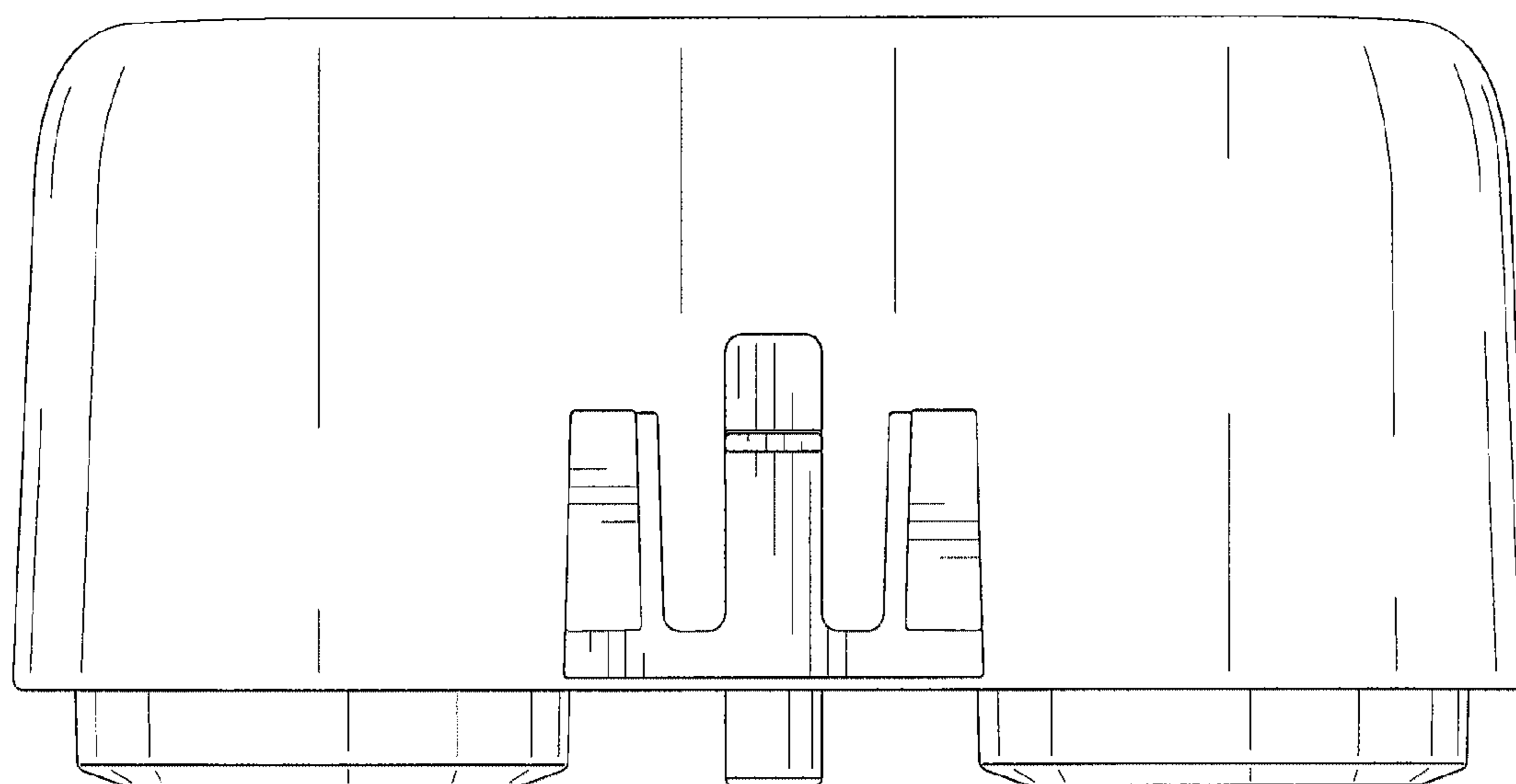


FIG.5

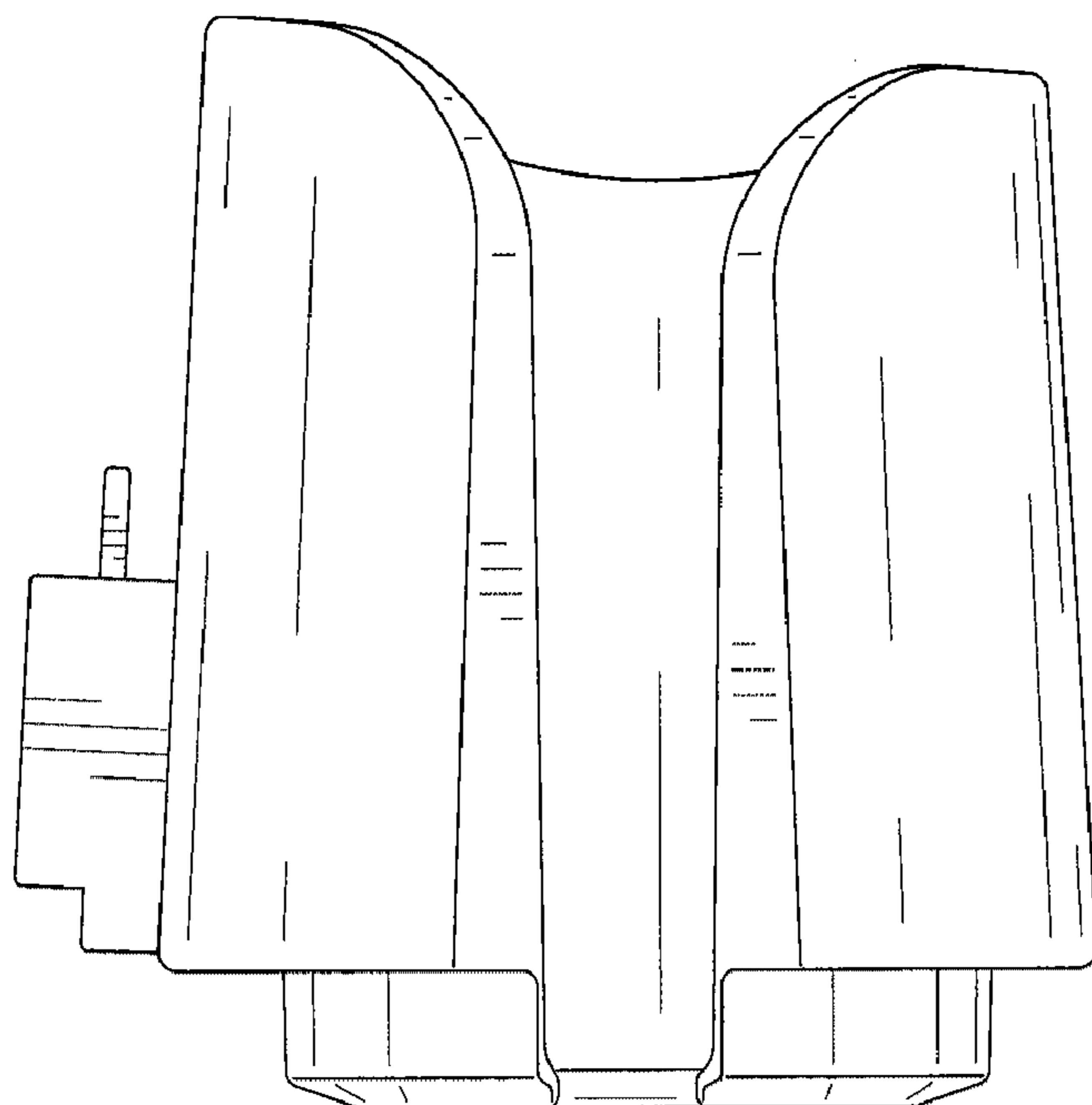


FIG.6

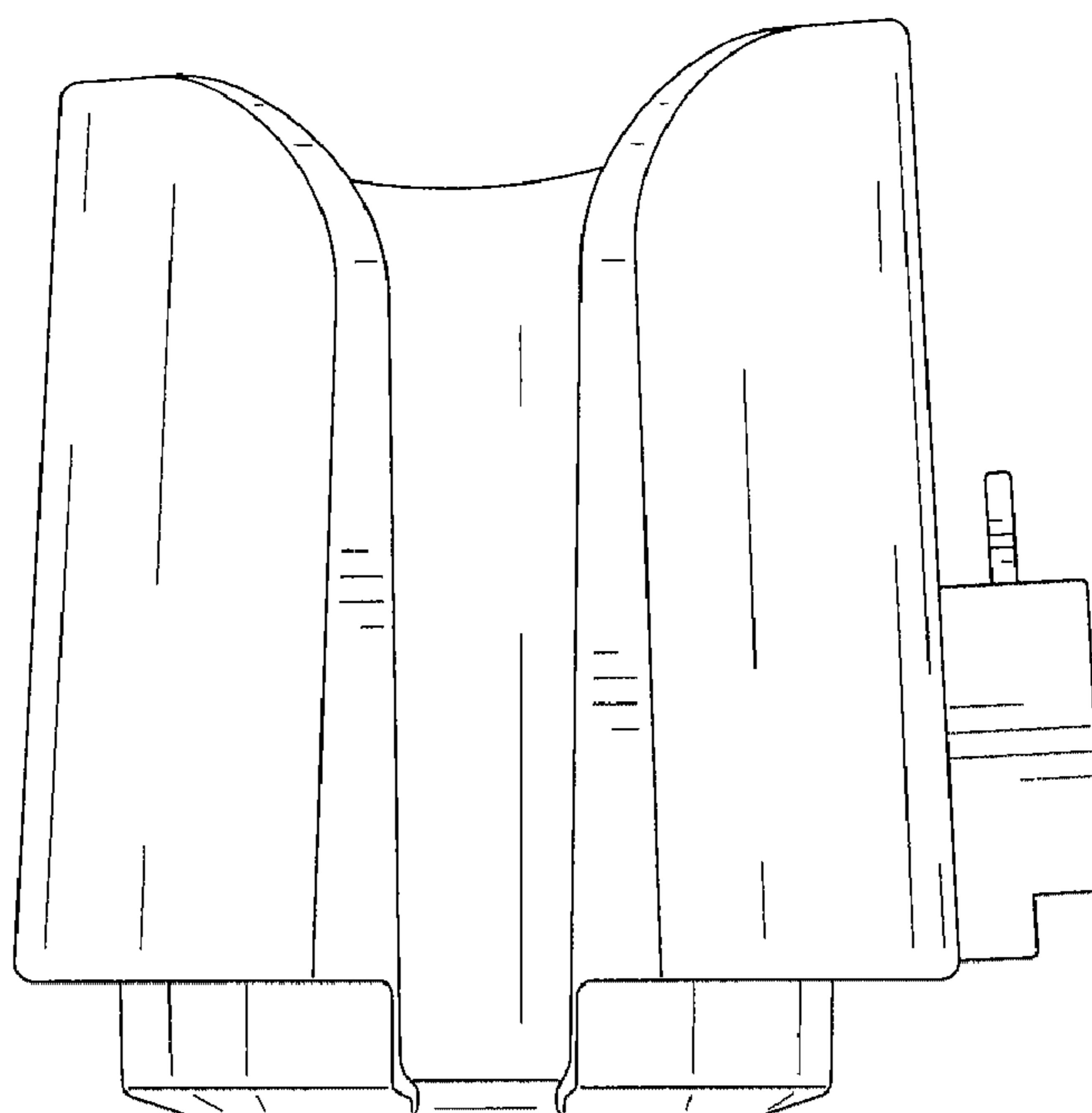


FIG.7

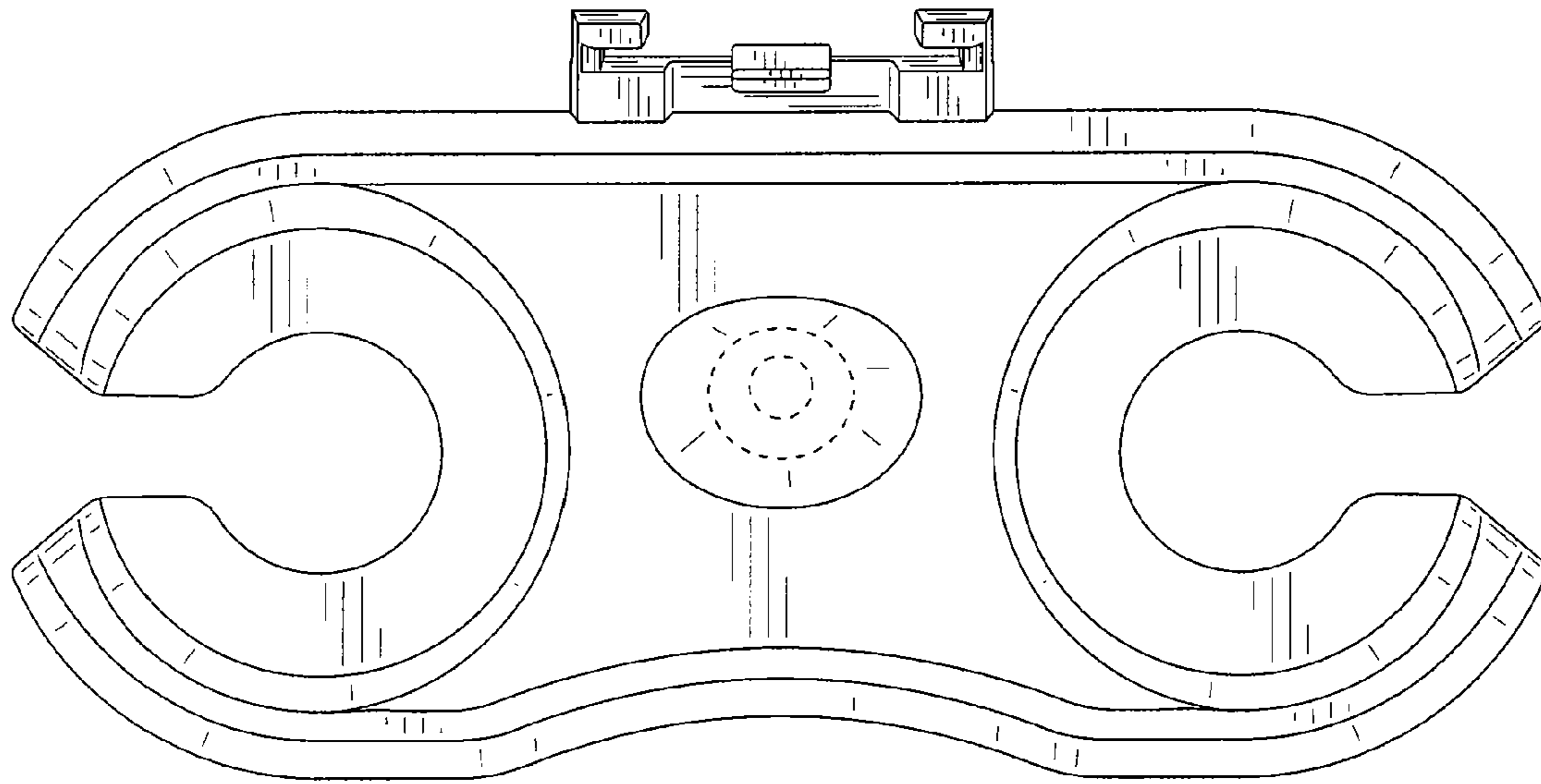


FIG.8

