



US00D653346S

(12) **United States Design Patent**
Naumann et al.

(10) **Patent No.:** **US D653,346 S**

(45) **Date of Patent:** **** Jan. 31, 2012**

(54) **HEARING INSTRUMENT**

(75) Inventors: **Frank Naumann**, Erlangen (DE);
Tobias Reese, Fuerth (DE)

(73) Assignee: **Siemens Medical Instruments Pte. Ltd.**, Singapore (SG)

(**) Term: **14 Years**

(21) Appl. No.: **29/387,077**

(22) Filed: **Mar. 9, 2011**

(30) **Foreign Application Priority Data**

Sep. 10, 2010 (EM) 001233761

(51) **LOC (9) Cl.** **24-99**

(52) **U.S. Cl.** **D24/174**

(58) **Field of Classification Search** D24/173-175,
D24/151; D14/205, 223, 224, 249; 381/23.1,
381/312, 322-324, 328-330

See application file for complete search history.

(56) **References Cited**

U.S. PATENT DOCUMENTS

D206,228 S * 11/1966 Strzalkowski D24/174
D417,278 S * 11/1999 Eckstein D24/173
D562,983 S * 2/2008 Jurkiewicz D24/174

D587,378 S * 2/2009 Powers et al. D24/174
D605,769 S * 12/2009 Sjursen et al. D24/174
D605,770 S * 12/2009 Bergstrom D24/174
D632,794 S * 2/2011 Wai D24/174
D636,879 S * 4/2011 Dubs D24/174

* cited by examiner

Primary Examiner — Anhdao Doan

(74) *Attorney, Agent, or Firm* — Laurence A. Greenberg;
Werner H. Stemer; Ralph E. Locher

(57) **CLAIM**

The ornamental design for a hearing instrument, as shown and described.

DESCRIPTION

FIG. 1 is a front view of a hearing instrument showing our new design;

FIG. 2 is a rear view of thereof;

FIG. 3 is a top view thereof;

FIG. 4 is a bottom view thereof;

FIG. 5 is a left side view thereof;

FIG. 6 is a right side view thereof; and,

FIG. 7 is a top perspective view thereof.

The broken lines in FIGS. 1 and 7 are included for the purpose of illustrating portions of the hearing instrument that form no part of the claimed design.

1 Claim, 7 Drawing Sheets

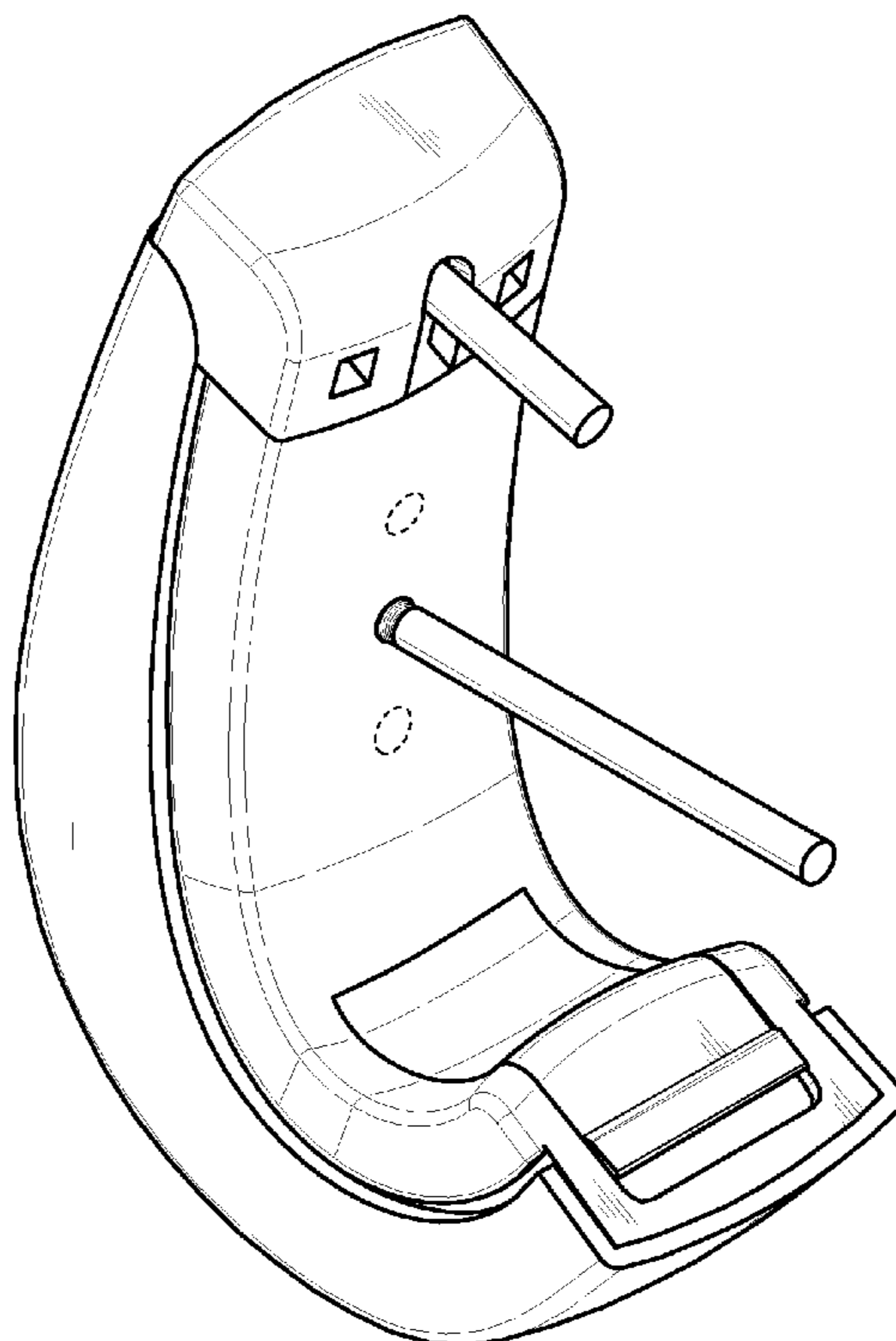


FIG 1

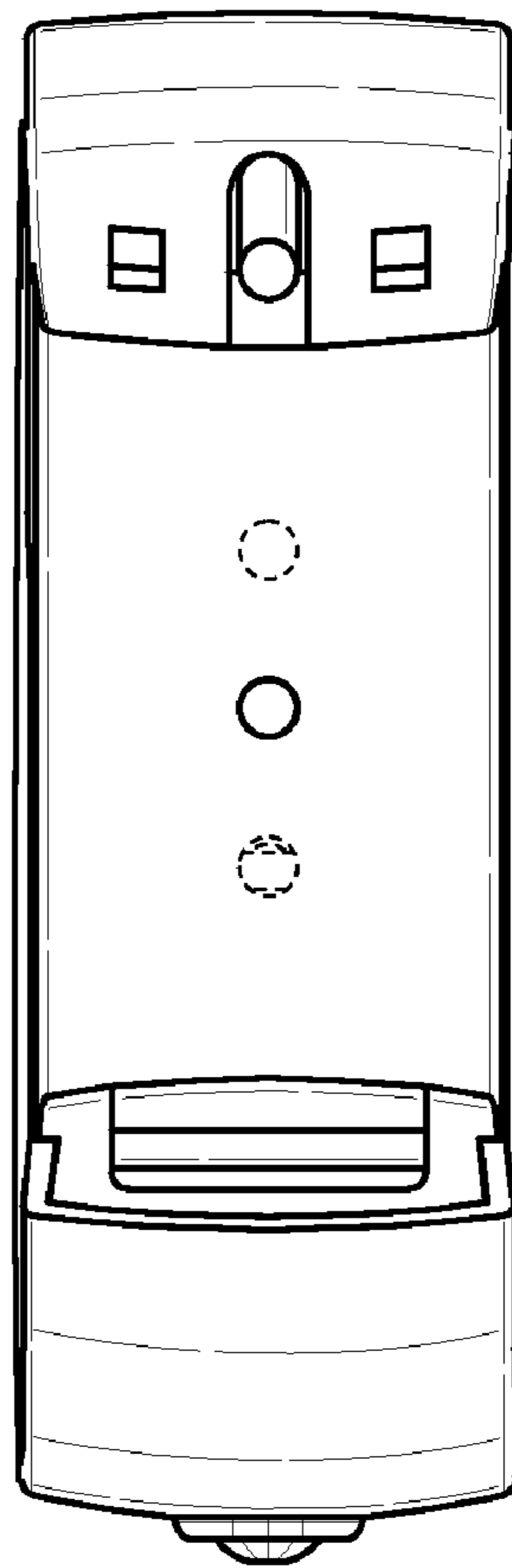


FIG. 2

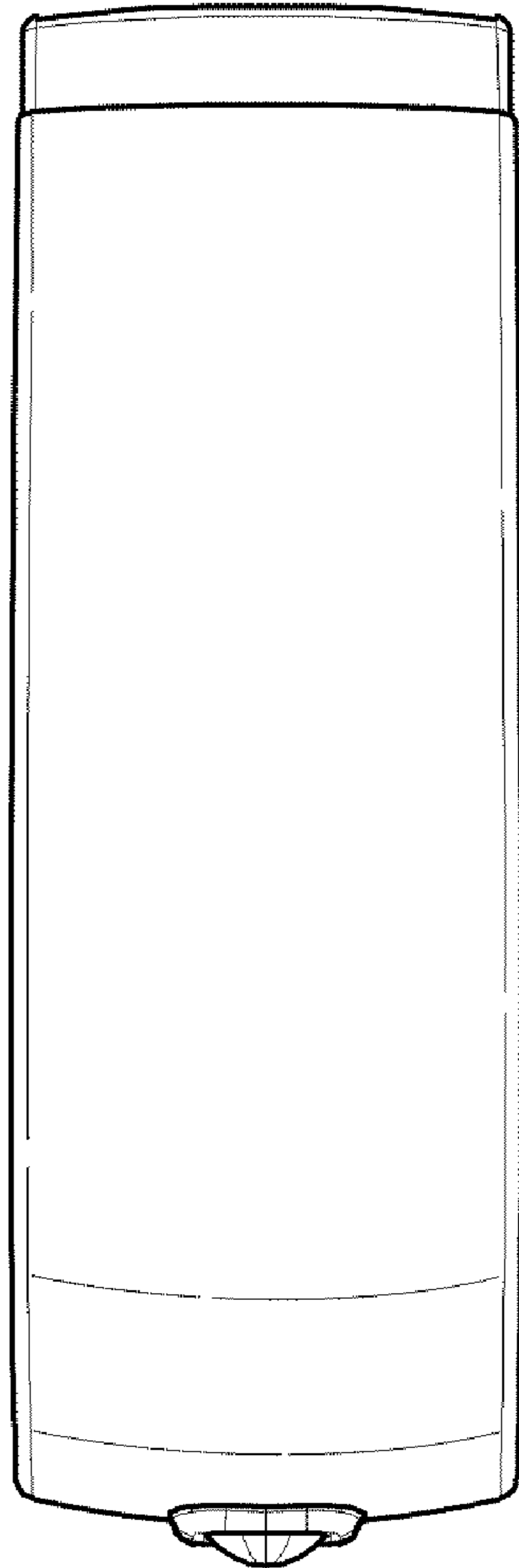


FIG. 3

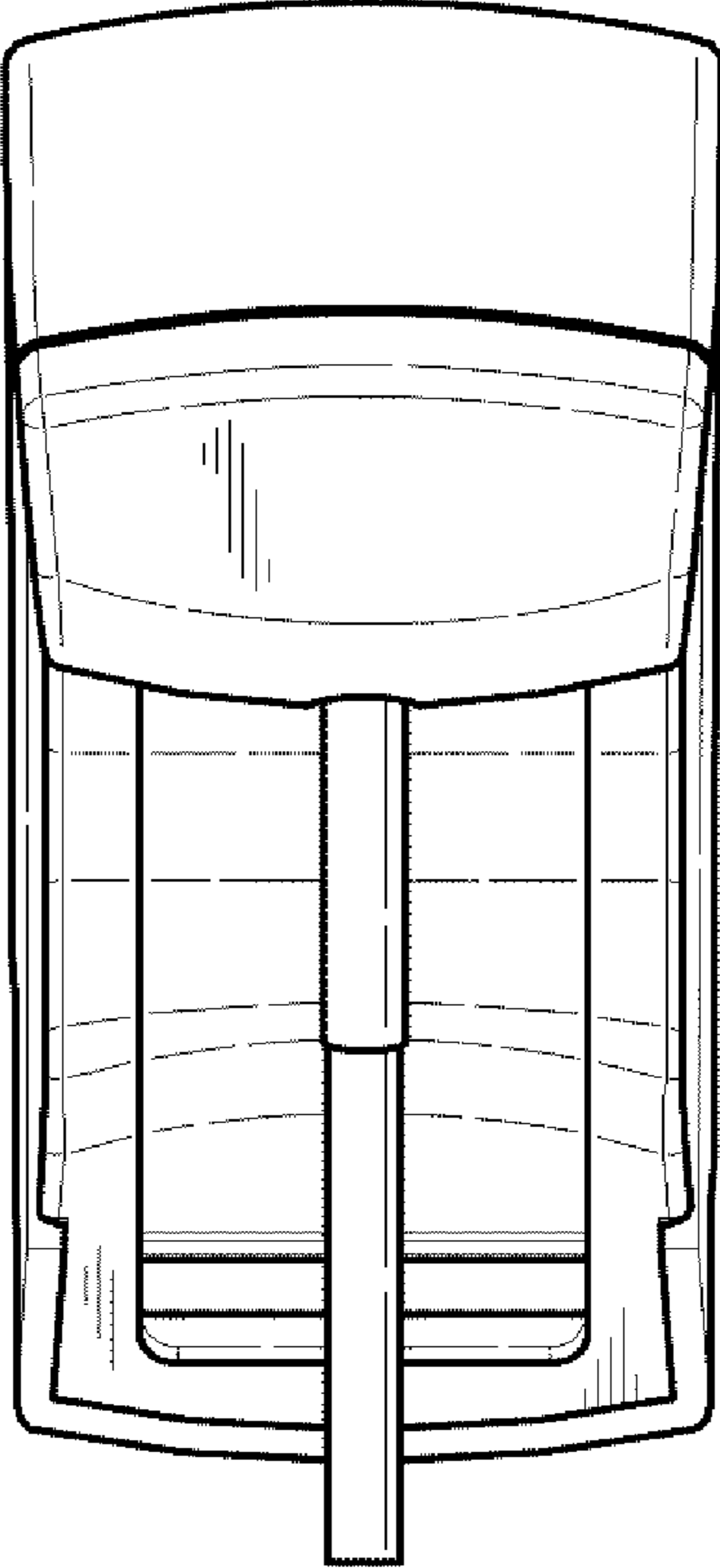


FIG. 4

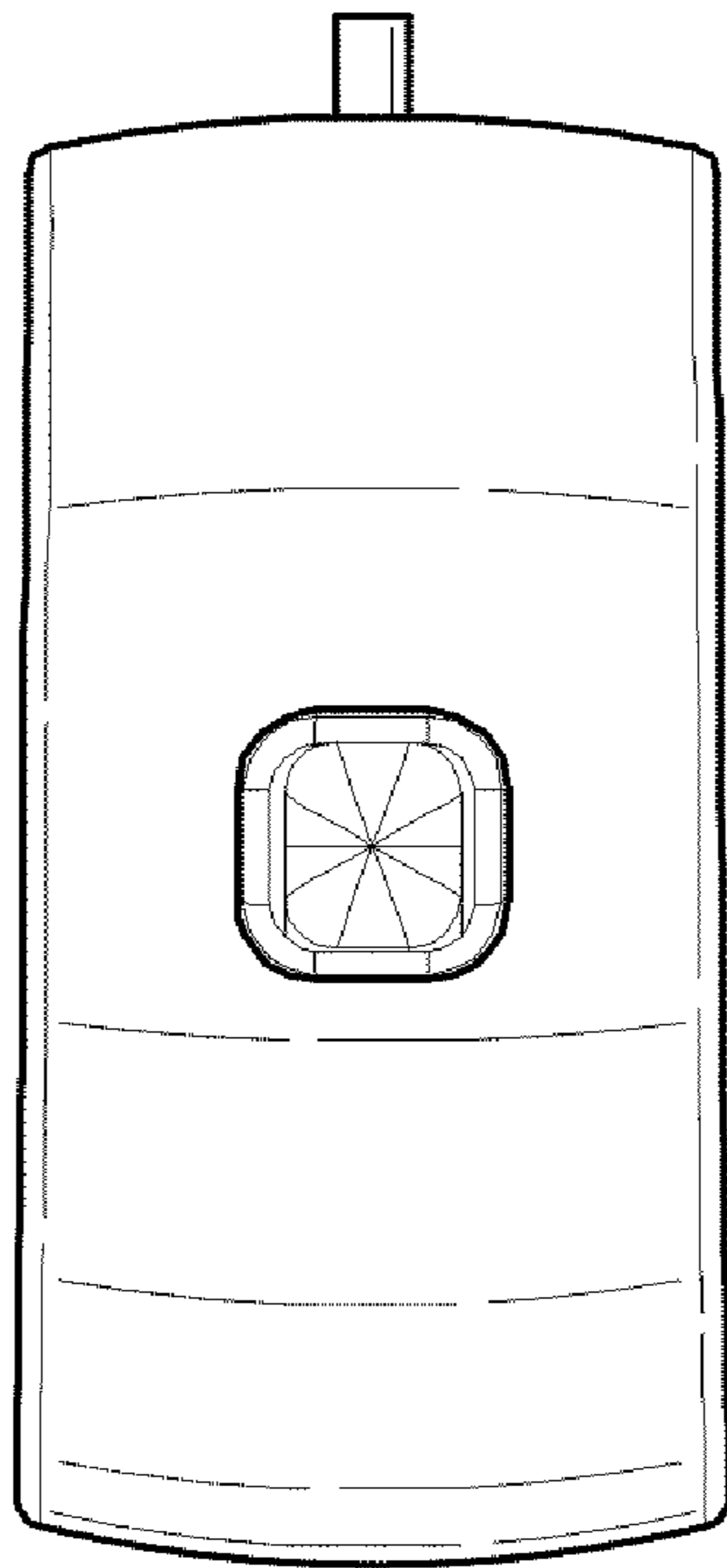


FIG. 5

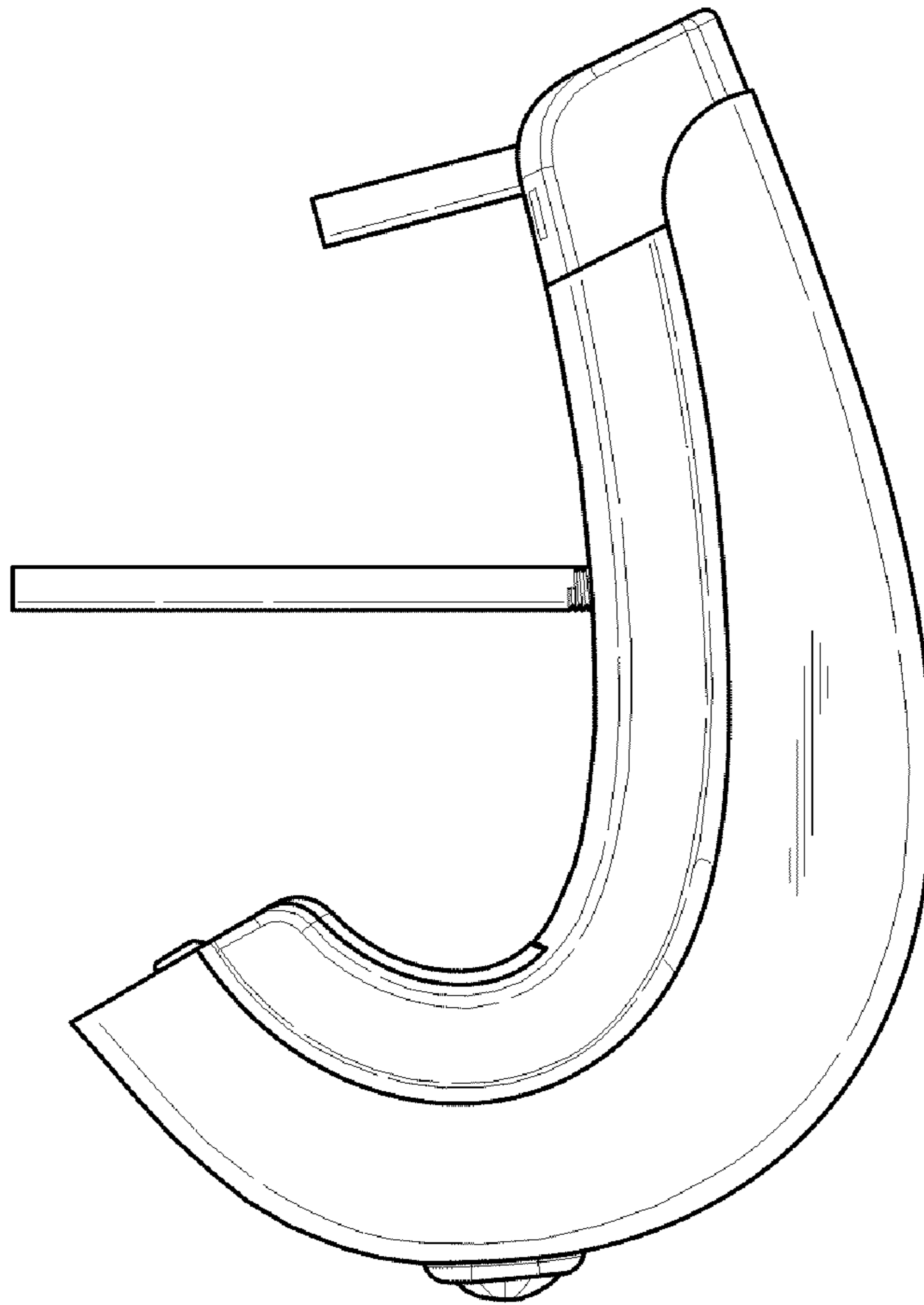


FIG. 6

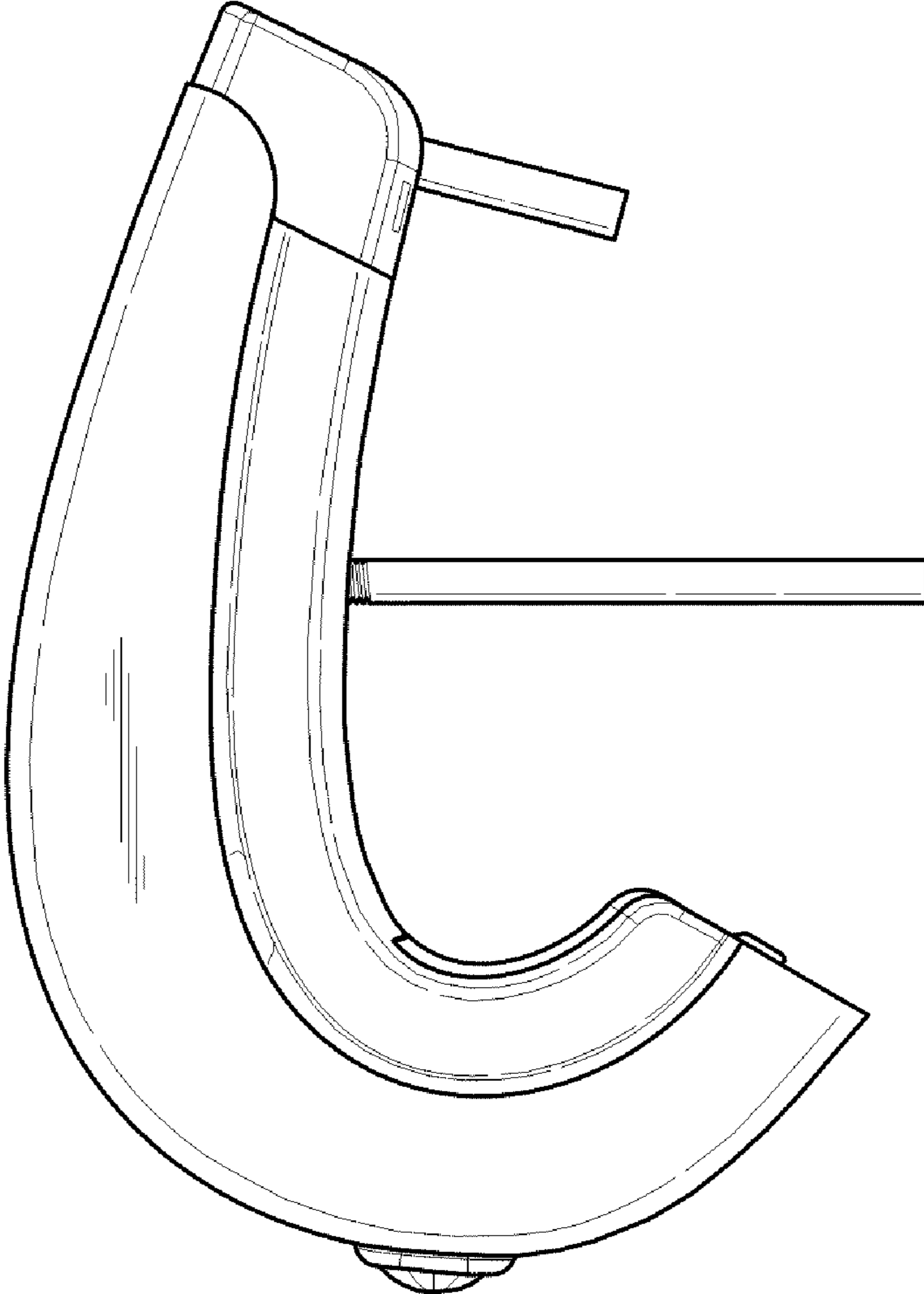


FIG 7

