



US00D653339S

(12) **United States Design Patent**
Ross et al.

(10) **Patent No.:** **US D653,339 S**
(45) **Date of Patent:** **** Jan. 31, 2012**

(54) **DOUBLE CANNULATED OSTEOTOME**

(75) Inventors: **Mark Ross**, Brisbane (AU); **Jennifer Tarrant**, Pflugerville, TX (US)

(73) Assignee: **Ascension Orthopedics, Inc.**, Austin, TX (US)

(**) Term: **14 Years**

(21) Appl. No.: **29/389,918**

(22) Filed: **Apr. 18, 2011**

(51) **LOC (9) Cl.** **26-02**

(52) **U.S. Cl.** **D24/146**

(58) **Field of Classification Search** D24/146,
D24/147; 30/167.1, 167.2, 168; 606/79,
606/84, 86-88

See application file for complete search history.

2006/0058809 A1 3/2006 Zink et al.
2006/0195194 A1 8/2006 Gunther
2009/0270863 A1 10/2009 Maisonneuve
2010/0228352 A1 9/2010 Courtney, Jr. et al.
2011/0224673 A1* 9/2011 Smith 606/87

FOREIGN PATENT DOCUMENTS

FR 2695313 A1 11/1994
WO 2006059120 A1 6/2006

* cited by examiner

Primary Examiner — Ian Simmons

Assistant Examiner — Carissa C Fitts

(74) *Attorney, Agent, or Firm* — Fitch, Even, Tabin & Flannery

(57) **CLAIM**

The ornamental design for a double cannulated osteotome, as shown and described.

DESCRIPTION

FIG. 1 is an upper perspective view of the osteotome showing the new design;

FIG. 2 is a right side view thereof, the opposite side being a mirror image thereof;

FIG. 3 is a top plan view thereof;

FIG. 4 is a bottom view thereof;

FIG. 5 is a rear view thereof; and,

FIG. 6 is a front view thereof.

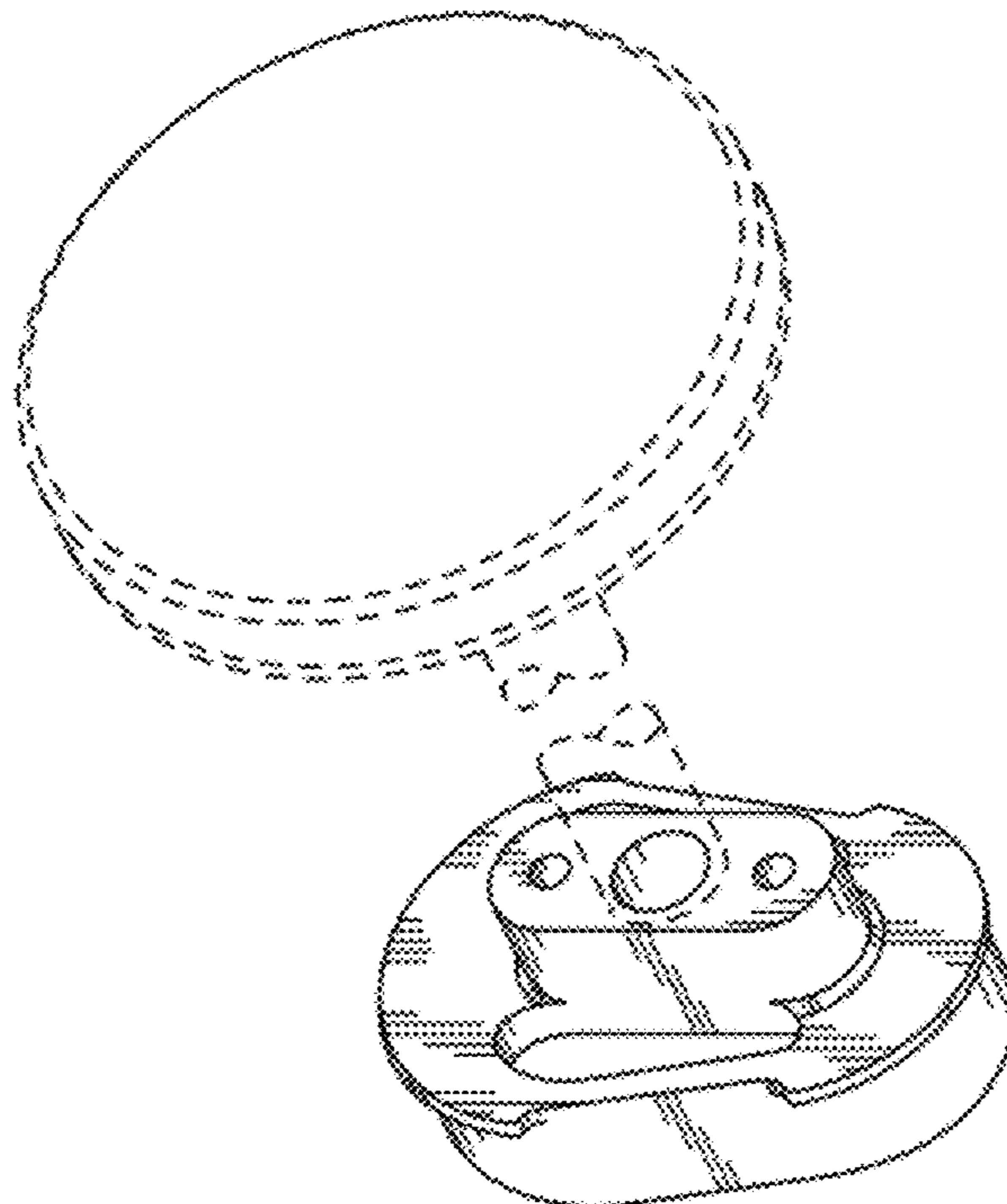
The handle shown in dashed-line outline forms no part of the new design.

1 Claim, 3 Drawing Sheets

(56) **References Cited**

U.S. PATENT DOCUMENTS

4,150,675 A 4/1979 Comparetto
5,344,423 A * 9/1994 Dietz et al. 606/87
5,489,310 A 2/1996 Mikhail
6,126,664 A 10/2000 Troxell et al.
6,485,495 B1 11/2002 Jenkinson
D570,477 S * 6/2008 Gallogly et al. D24/130
D578,214 S * 10/2008 Mosler D24/129
7,547,210 B1 6/2009 Valen
7,935,118 B2 * 5/2011 Vendrely et al. 606/87
7,967,823 B2 * 6/2011 Ammann et al. 606/88
2005/0075641 A1 * 4/2005 Singhatat et al. 606/86



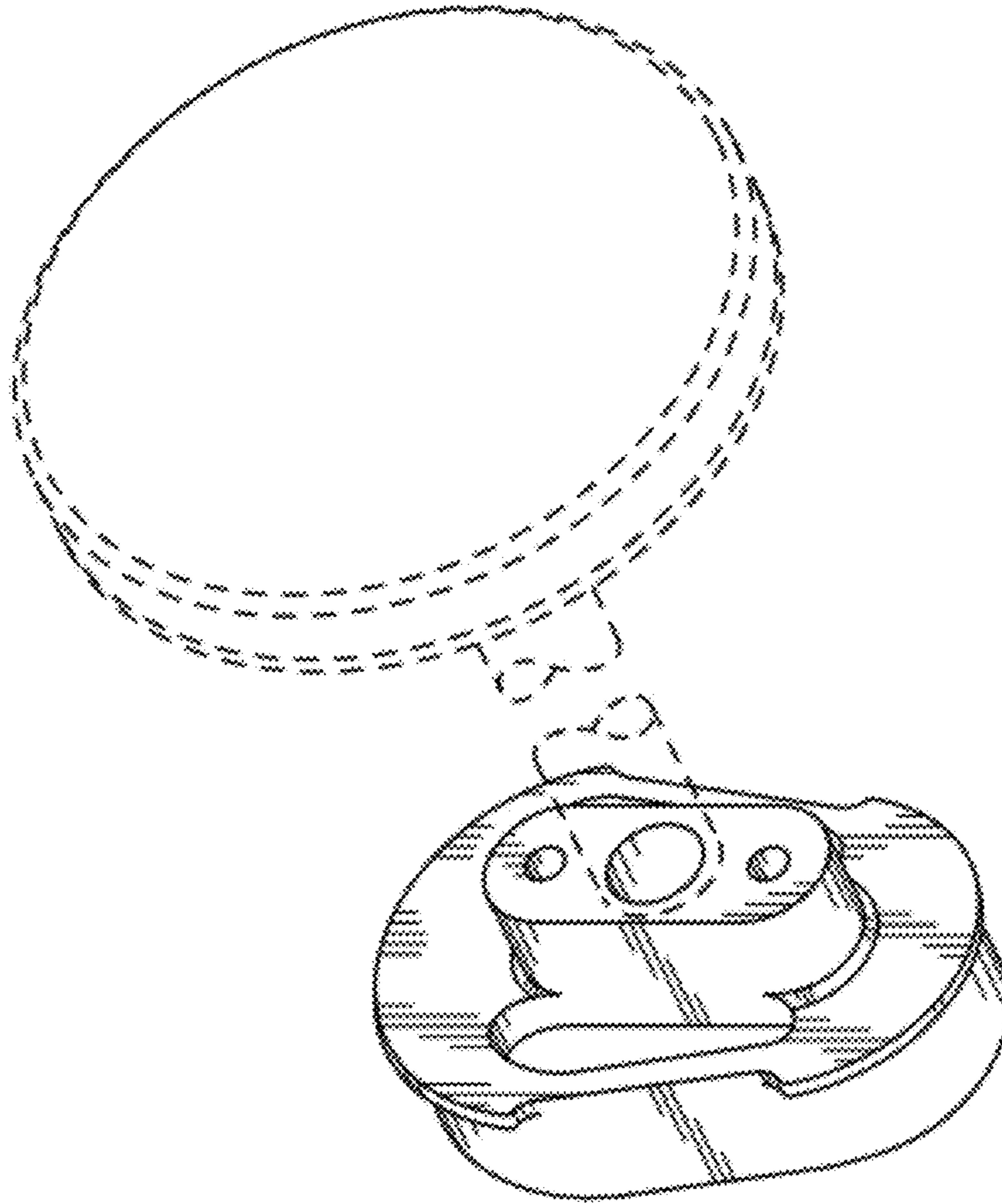


FIG. 1

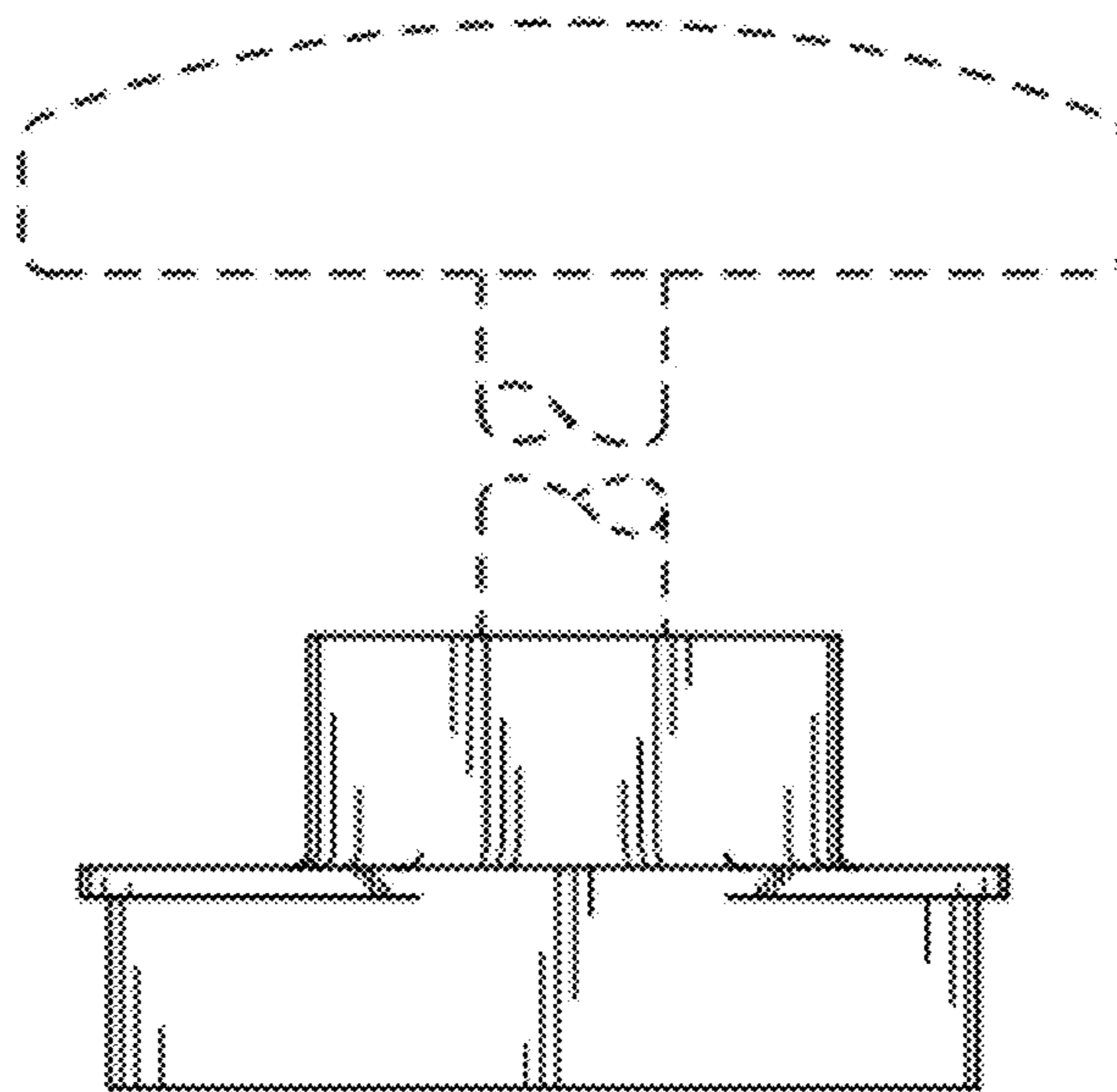


FIG. 2

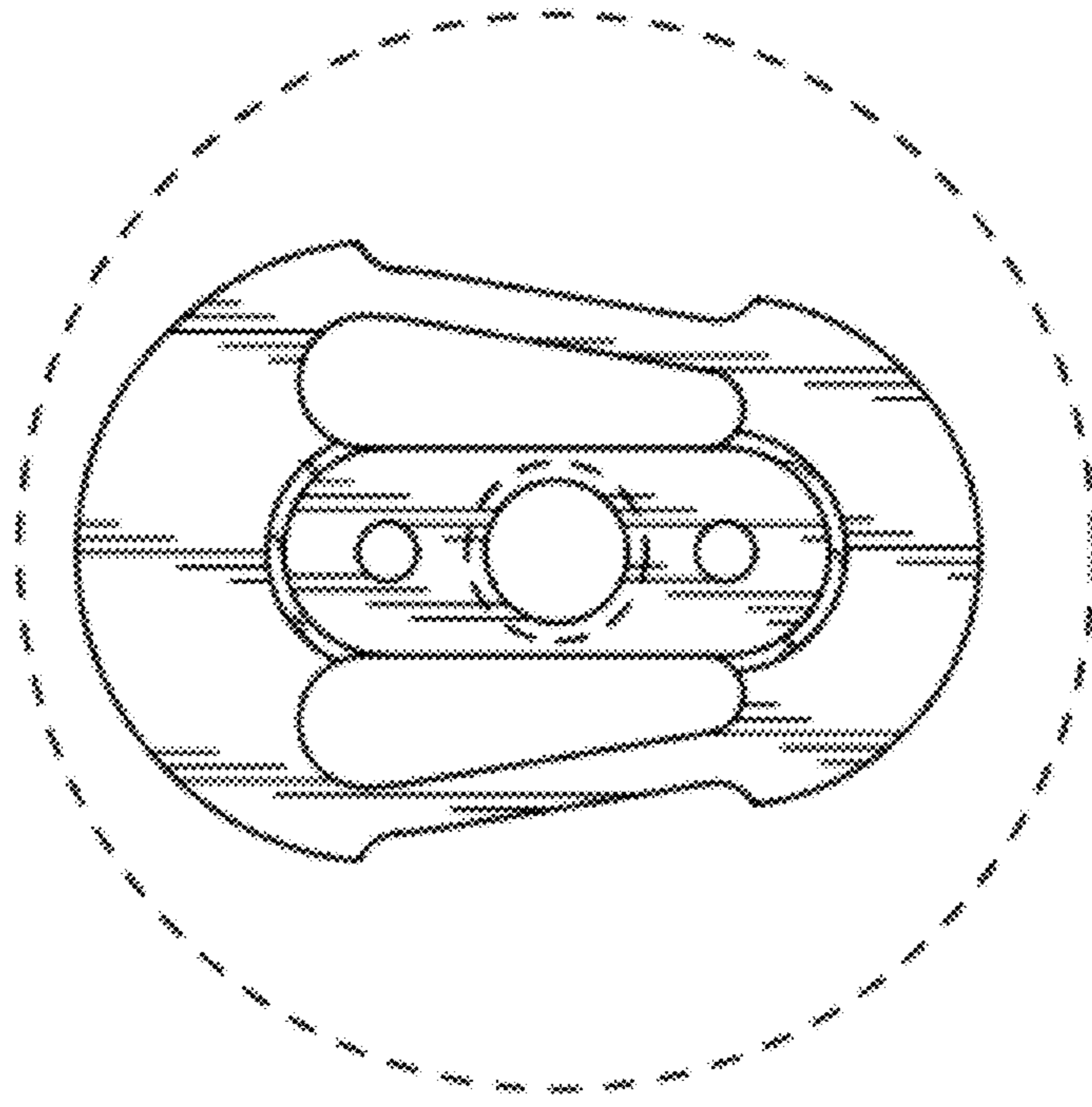


FIG. 3

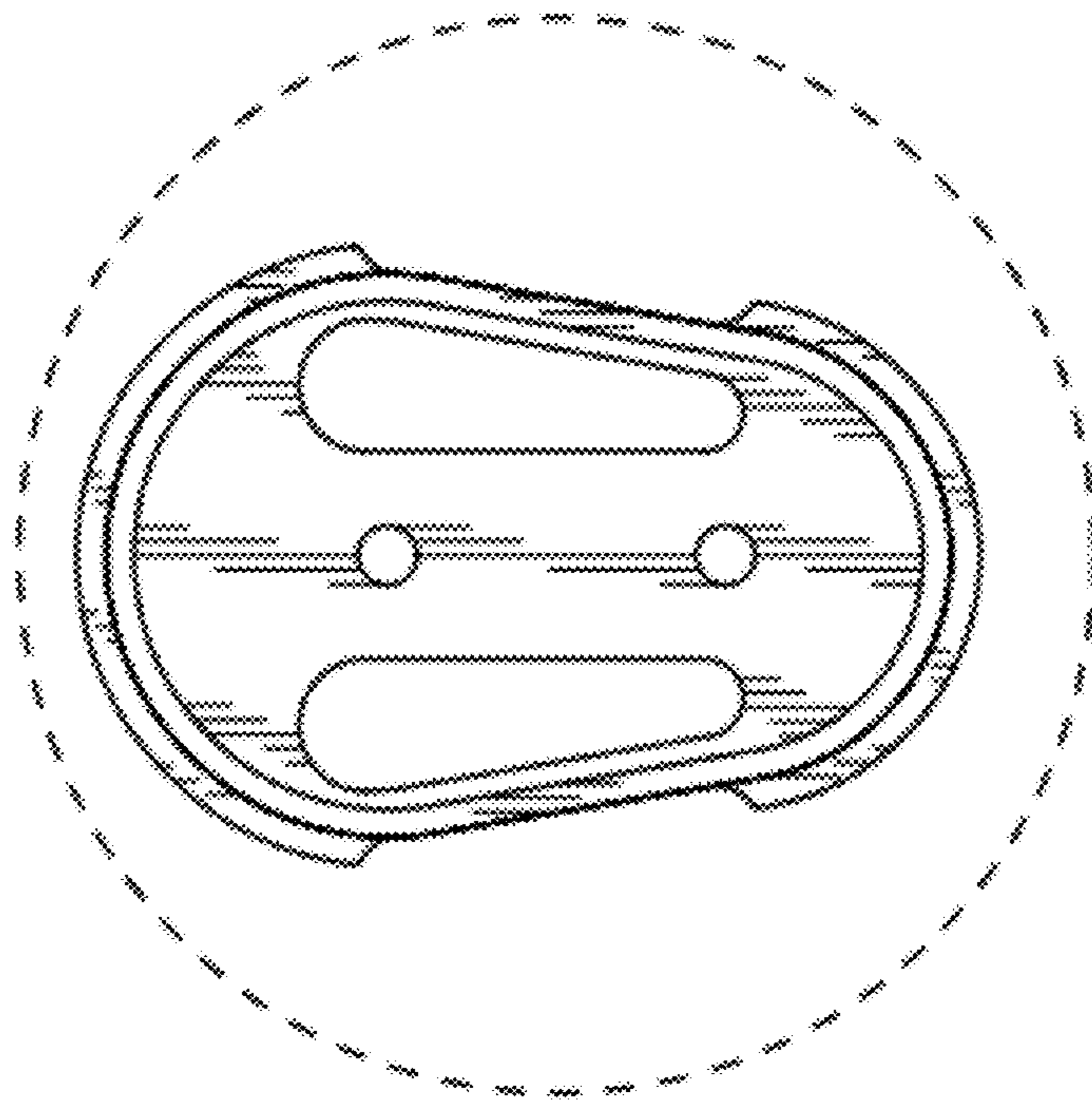


FIG. 4

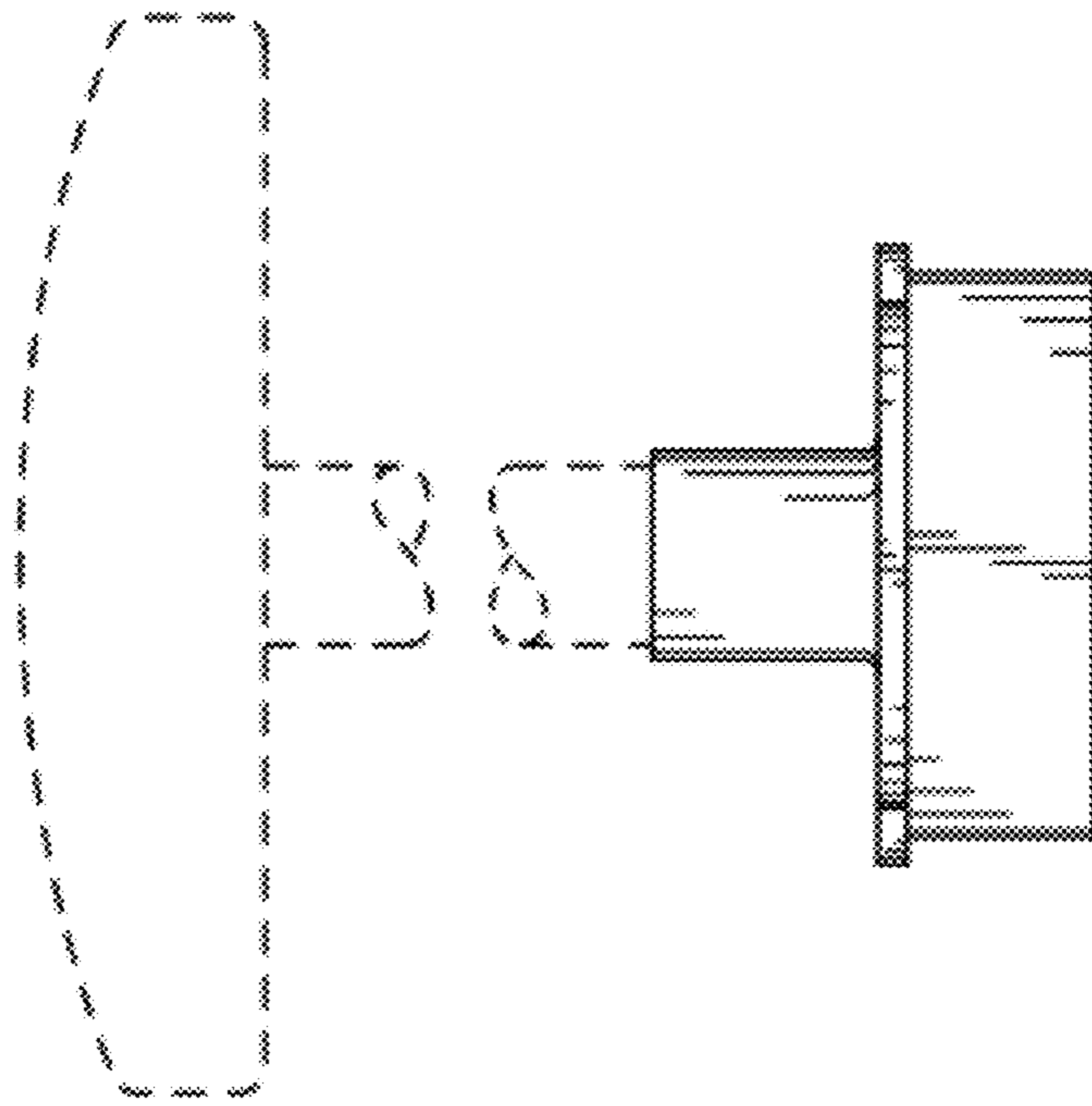


FIG. 5

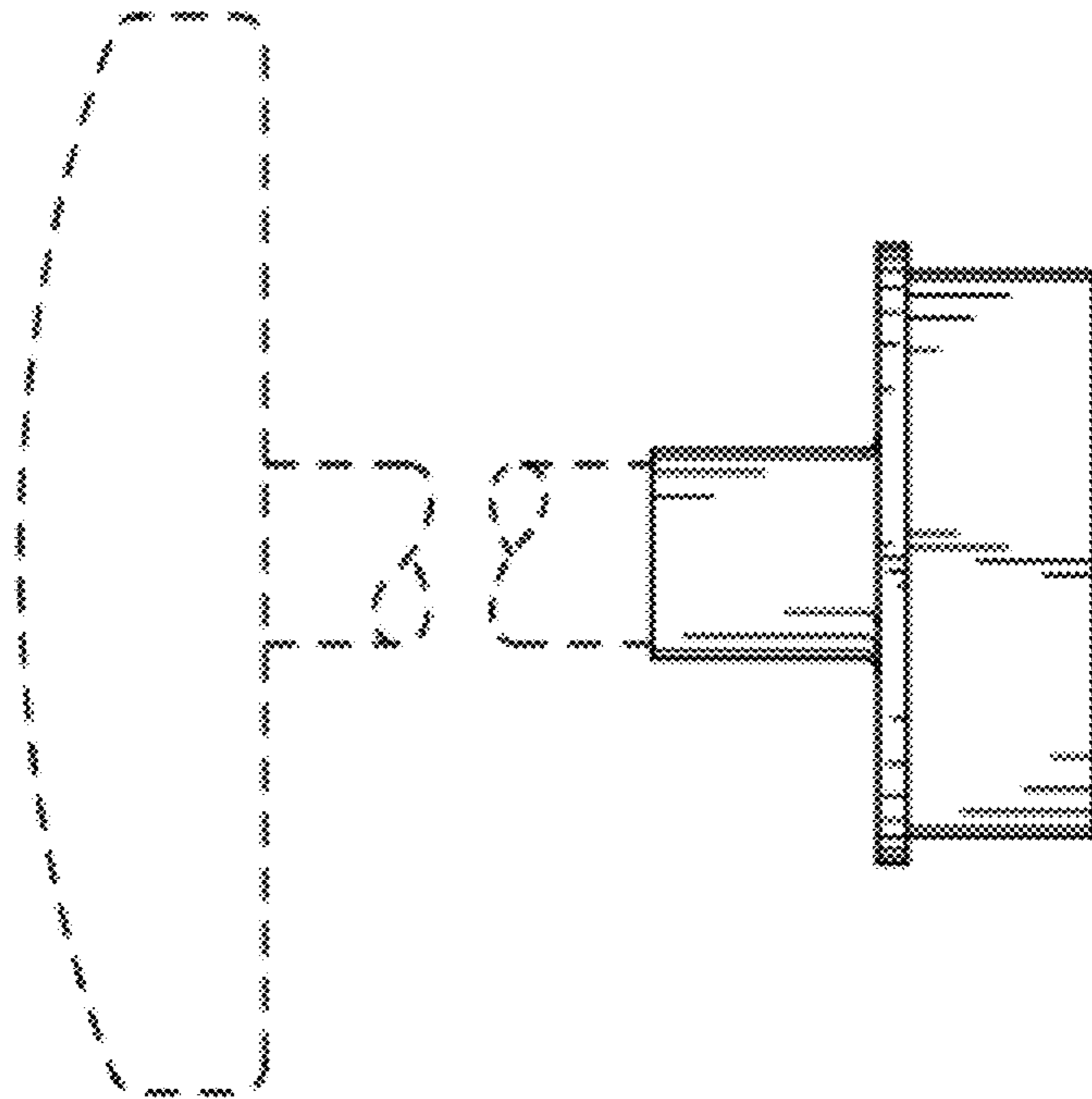


FIG. 6