



US00D653338S

(12) **United States Design Patent**
Mangeshikar

(10) **Patent No.:** **US D653,338 S**

(45) **Date of Patent:** **** Jan. 31, 2012**

(54) **UTERINE MANIPULATOR**

(75) Inventor: **Prashant Mangeshikar**, Mumbai (IN)

(73) Assignee: **Karl Storz GmbH & Co. KG**,
Tuttlingen (DE)

(**) Term: **14 Years**

(21) Appl. No.: **29/379,127**

(22) Filed: **Nov. 15, 2010**

(51) **LOC (9) Cl.** **24-02**

(52) **U.S. Cl.** **D24/133**

(58) **Field of Classification Search** D24/133,
D24/135, 137, 138, 140; 606/119, 193
See application file for complete search history.

(56) **References Cited**

U.S. PATENT DOCUMENTS

D351,022	S	*	9/1994	Saito	D24/146
5,368,598	A	*	11/1994	Hasson	606/119
5,372,584	A	*	12/1994	Zink et al.	604/515
5,431,662	A	*	7/1995	Nicholas	606/119
D421,497	S	*	3/2000	Wattiez	D24/141
6,423,075	B1	*	7/2002	Singh et al.	606/119
D469,865	S	*	2/2003	Bar-Or	D24/108
D518,175	S	*	3/2006	Hardin et al.	D24/133
D610,682	S	*	2/2010	Stefan	D24/140

2004/0111097 A1* 6/2004 Van Heerden 606/119
2007/0260265 A1* 11/2007 Walter 606/119
2010/0274260 A1* 10/2010 D'Arpiany et al. 606/119

* cited by examiner

Primary Examiner — Bridget L Eland

(74) *Attorney, Agent, or Firm* — Muncy, Geissler, Olds & Lowe, PLLC

(57) **CLAIM**

The ornamental design for a uterine manipulator, as shown and described.

DESCRIPTION

FIG. 1 is a left side elevational view of a uterine manipulator of the present invention.

FIG. 2 is a right side elevational view of the uterine manipulator of FIG. 1.

FIG. 3 is a top plan view of the uterine manipulator of FIG. 1.

FIG. 4 is a bottom plan view of the uterine manipulator of FIG. 1.

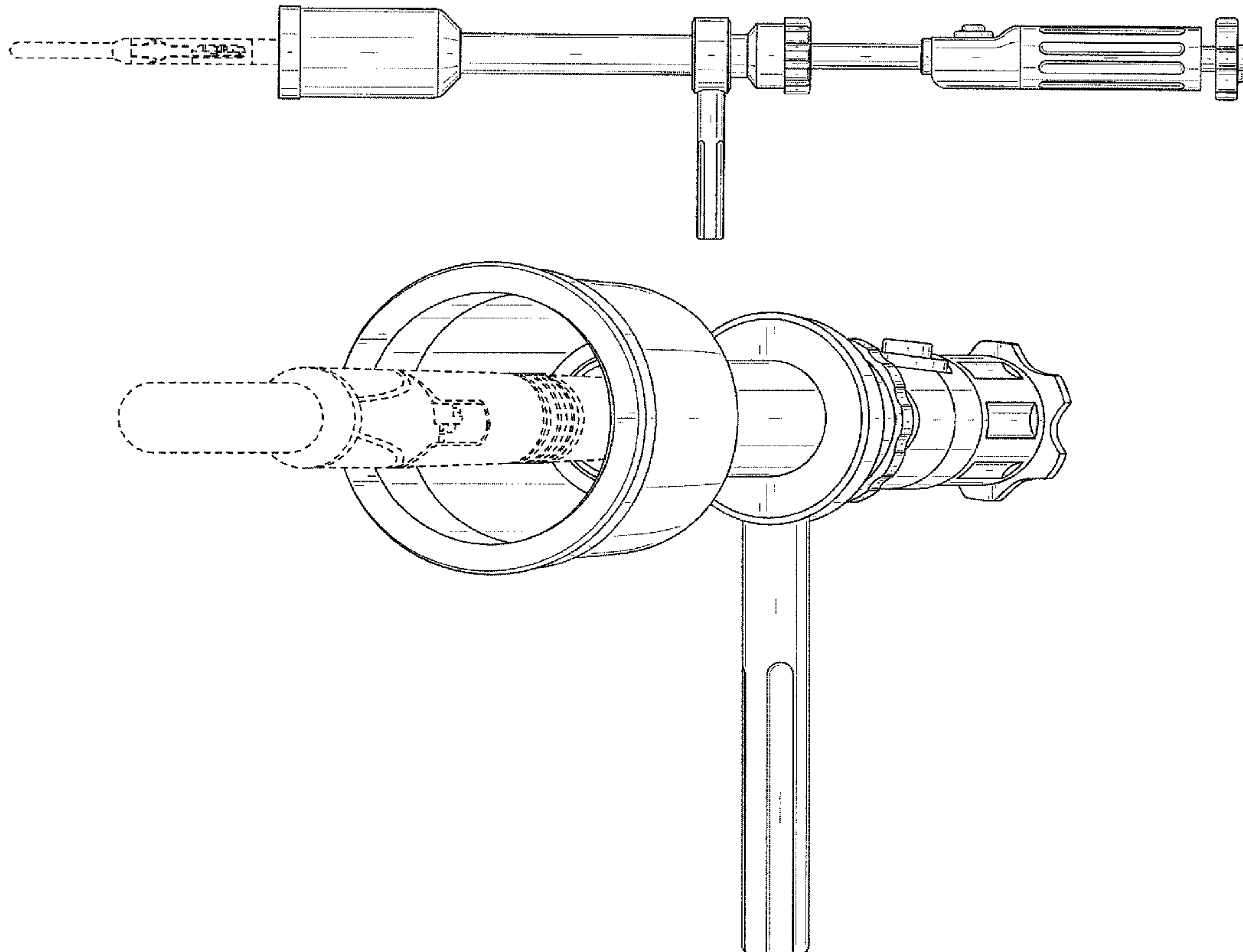
FIG. 5 is a front perspective view of the uterine manipulator of FIG. 1.

FIG. 6 is a rear perspective view of the uterine manipulator of FIG. 1; and,

FIG. 7 is a three-quarter perspective view of the uterine manipulator of FIG. 1.

The dashed lines illustrate environment that does not form a part of the present invention, and no claim is made to the material illustrated with dashed lines.

1 Claim, 7 Drawing Sheets



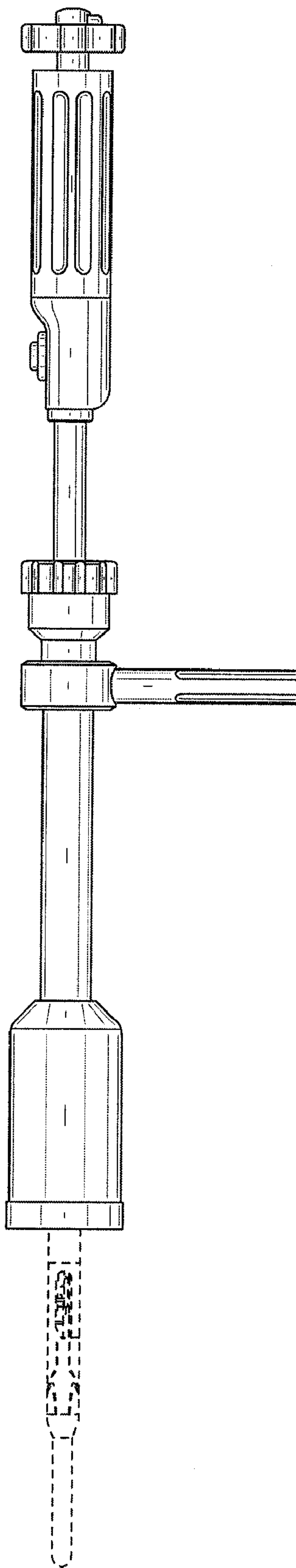


FIG. 1

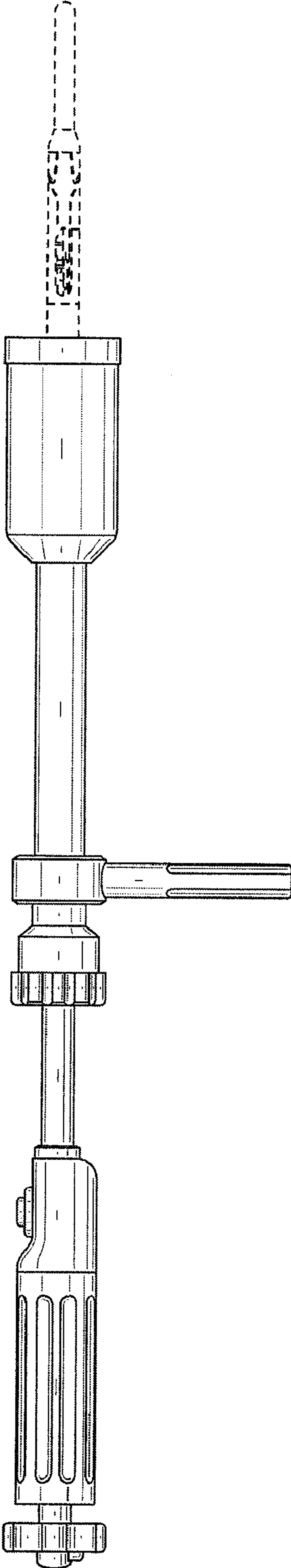


FIG. 2

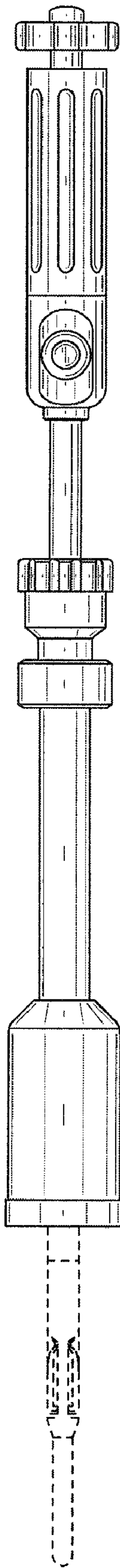


FIG. 3

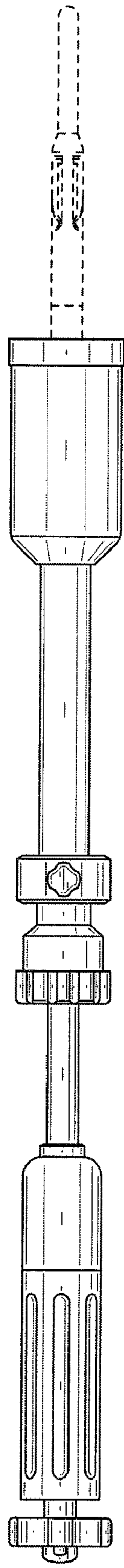


FIG. 4

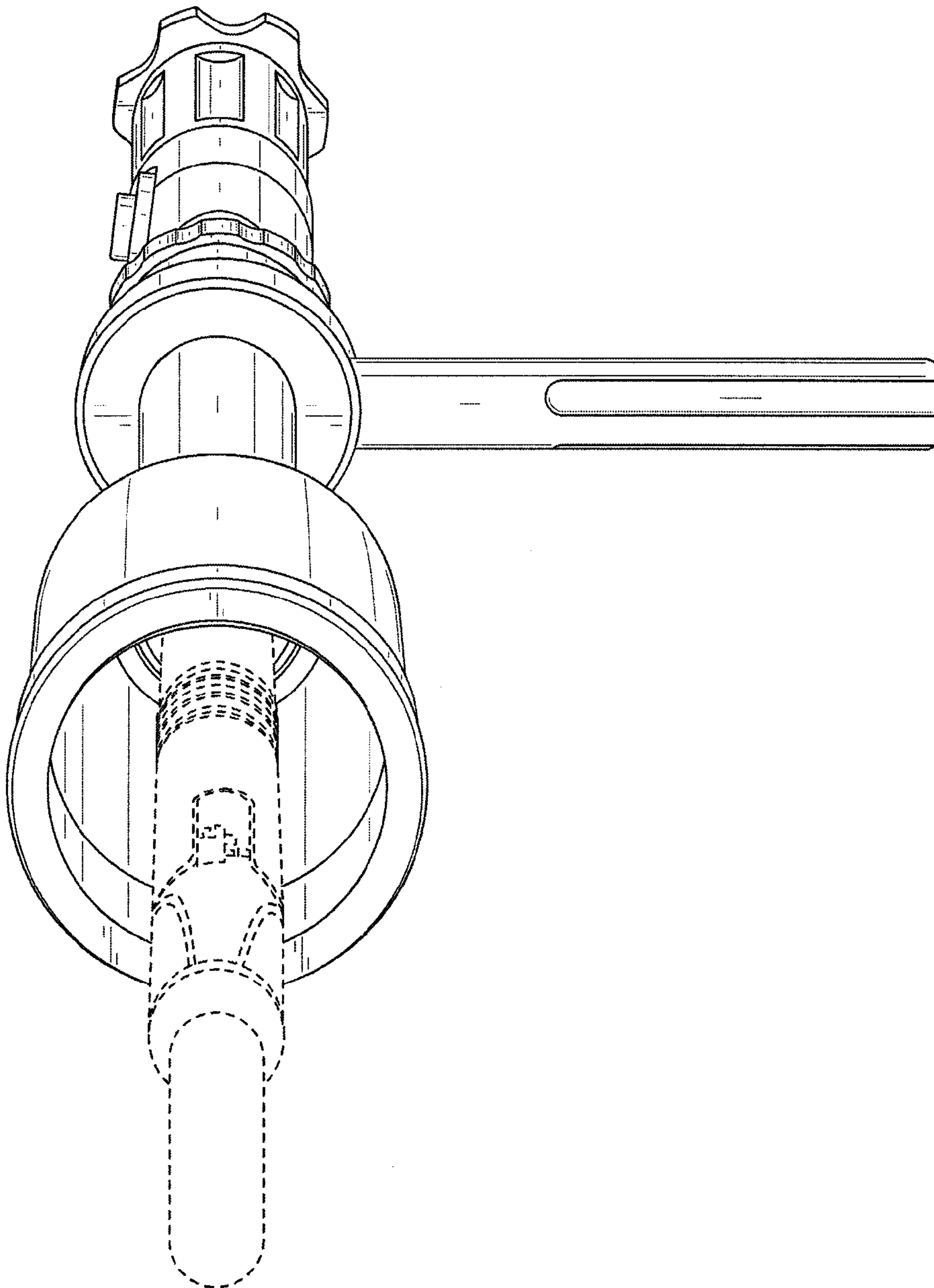


FIG. 5

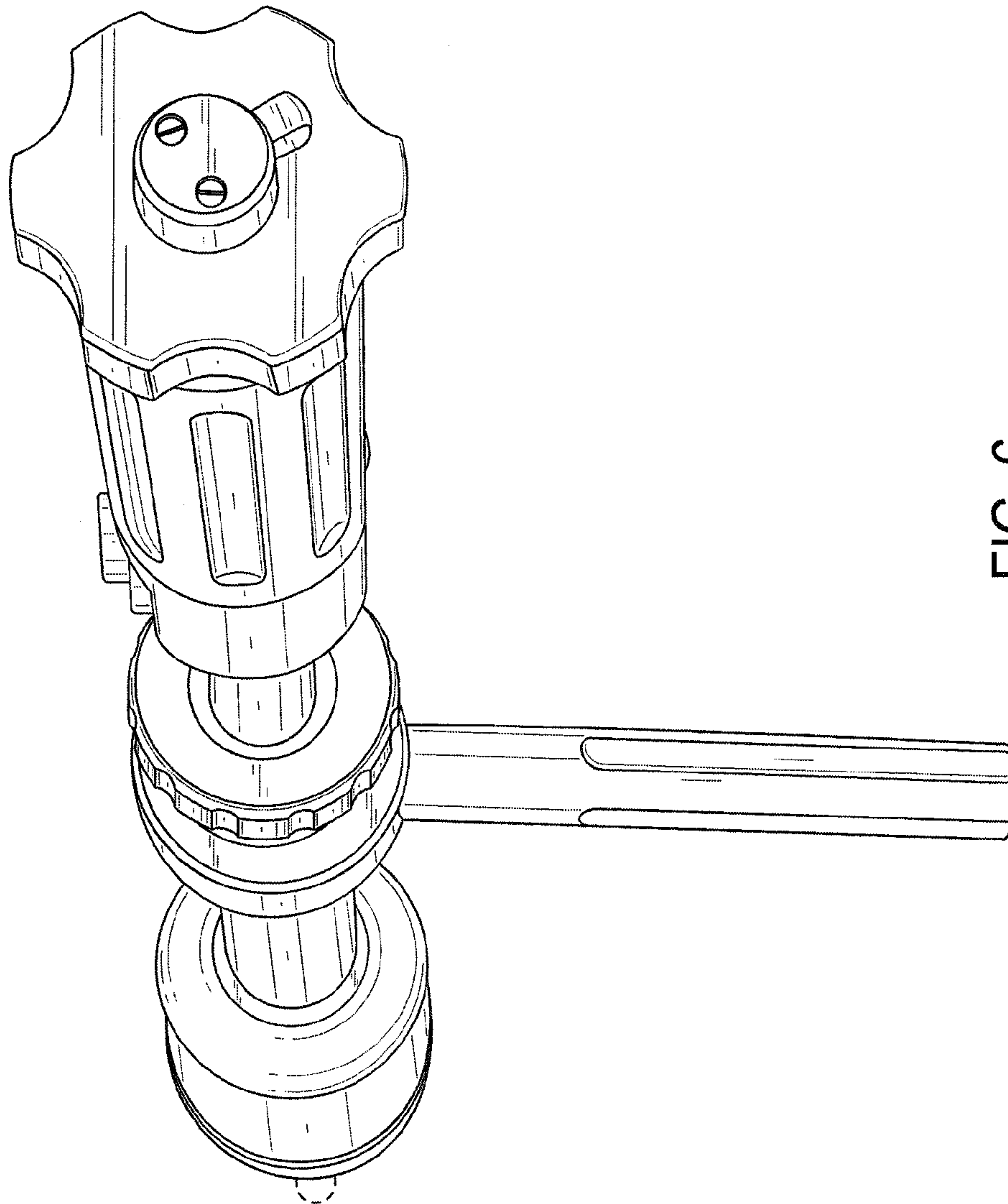


FIG. 6

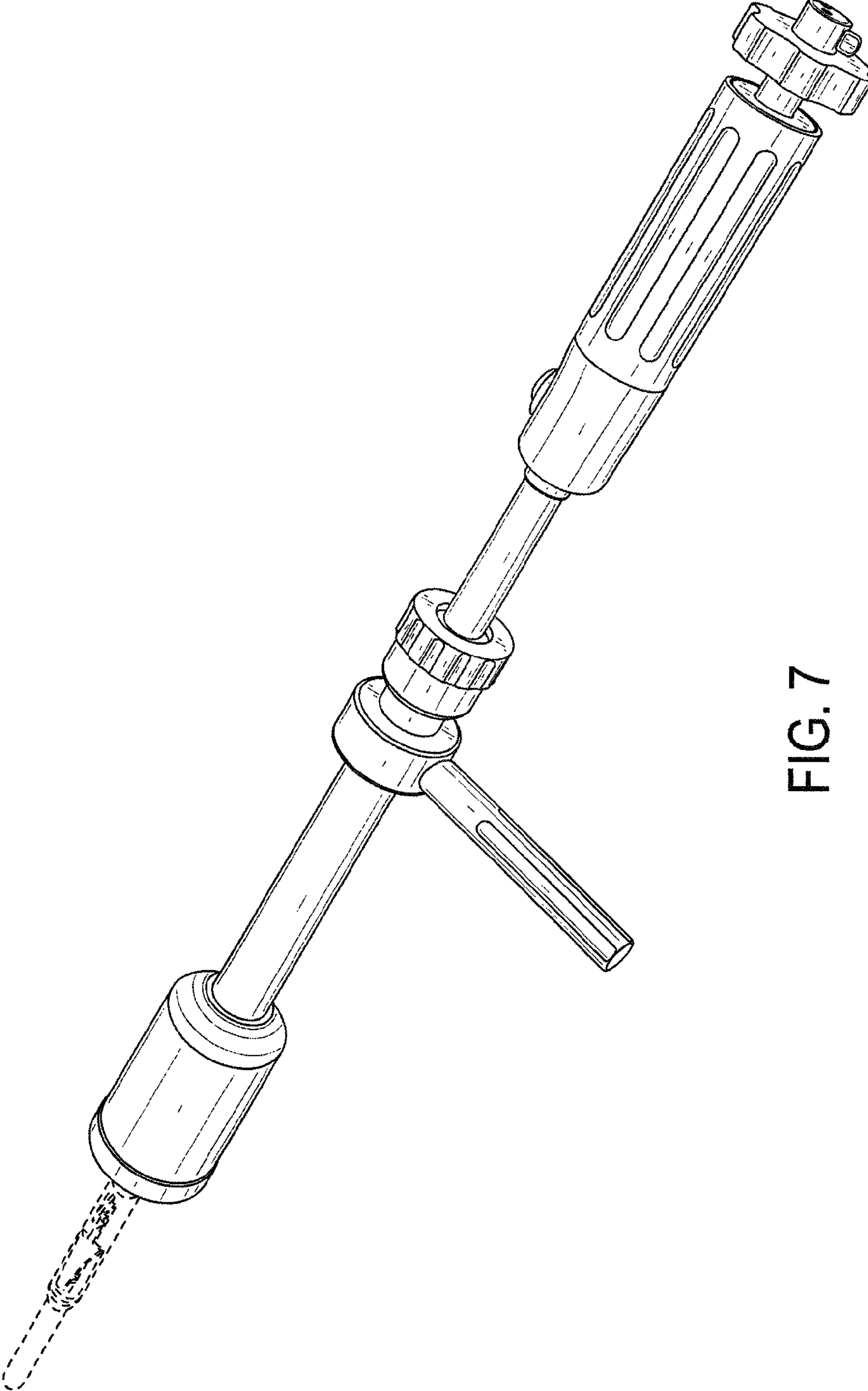


FIG. 7