



US00D653337S

(12) **United States Design Patent**
Kampa et al.

(10) **Patent No.:** **US D653,337 S**

(45) **Date of Patent:** **** Jan. 31, 2012**

(54) **CATHETER HANDLE**

(75) Inventors: **Nicholas Kampa**, Saint Paul, MN (US);
Aaron Opbroek, Brooklyn Park, MN
(US)

(73) Assignee: **Greatbatch Ltd.**, Clarence, NY (US)

(**) Term: **14 Years**

(21) Appl. No.: **29/402,104**

(22) Filed: **Sep. 21, 2011**

Related U.S. Application Data

(62) Division of application No. 29/360,668, filed on Apr. 29, 2010.

(51) **LOC (9) Cl.** **24-02**

(52) **U.S. Cl.** **D24/130**

(58) **Field of Classification Search** D24/112,
D24/138, 133, 144, 130, 108, 222, 114, 127;
604/95.04, 528; 600/374, 381, 463, 466
See application file for complete search history.

(56) **References Cited**

U.S. PATENT DOCUMENTS

5,364,352 A * 11/1994 Cimino et al. 604/95.04
6,589,182 B1 * 7/2003 Loftman et al. 600/466
6,776,765 B2 * 8/2004 Soukup et al. 600/585
D579,562 S * 10/2008 Anderson et al. D24/133

D630,321 S * 1/2011 Hamilton, Jr. D24/133
D640,785 S * 6/2011 Lee D24/112
2003/0125663 A1 * 7/2003 Coleman et al. 604/95.04
2003/0181854 A1 * 9/2003 Sauvageau 604/95.04
2004/0143197 A1 * 7/2004 Soukup et al. 600/585
2005/0256452 A1 * 11/2005 DeMarchi et al. 604/95.04
2006/0142694 A1 * 6/2006 Bednarek et al. 604/95.04
2010/0256606 A1 * 10/2010 Lippert et al. 604/529

* cited by examiner

Primary Examiner — T. Chase Nelson

Assistant Examiner — Eric Goodman

(74) *Attorney, Agent, or Firm* — Steven W. Winn

(57) **CLAIM**

The ornamental design for a catheter handle, as shown and described.

DESCRIPTION

FIG. 1 is a perspective view of a catheter handle according to the present invention with a stress relief embodiment.

FIG. 2 is a top side, elevational view of the catheter handle for the catheter shown in FIG. 1.

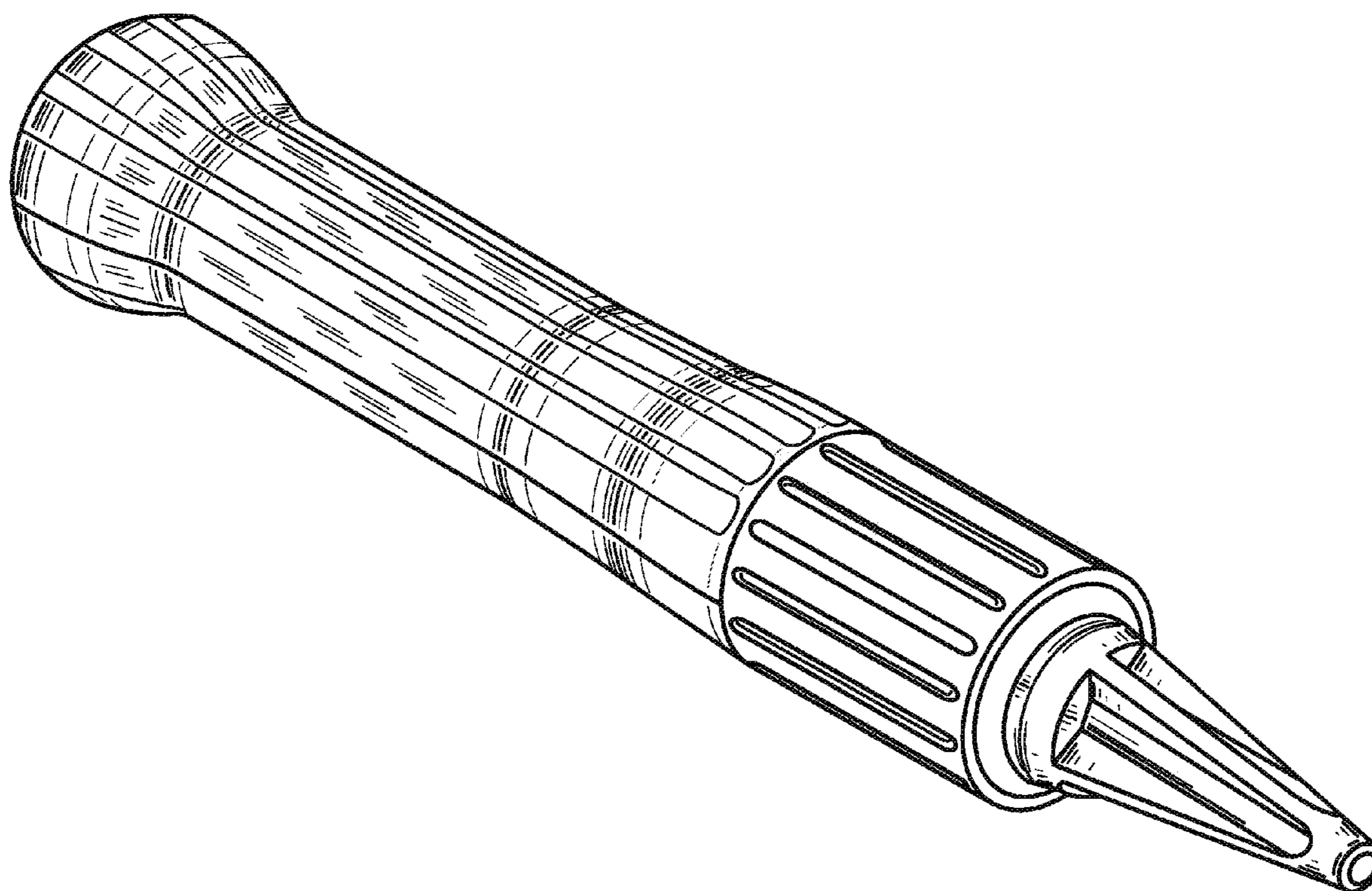
FIG. 3 is a bottom side, elevational view of the catheter handle for the catheter shown in FIG. 1.

FIG. 4 is a first end plan view of the catheter handle shown in FIG. 1; and,

FIG. 5 is a second end plan view of the catheter handle for the catheter shown in FIG. 1.

The portions of the design shown in broken lines are provided for illustrative purposes only and form no part of the claimed design.

1 Claim, 3 Drawing Sheets



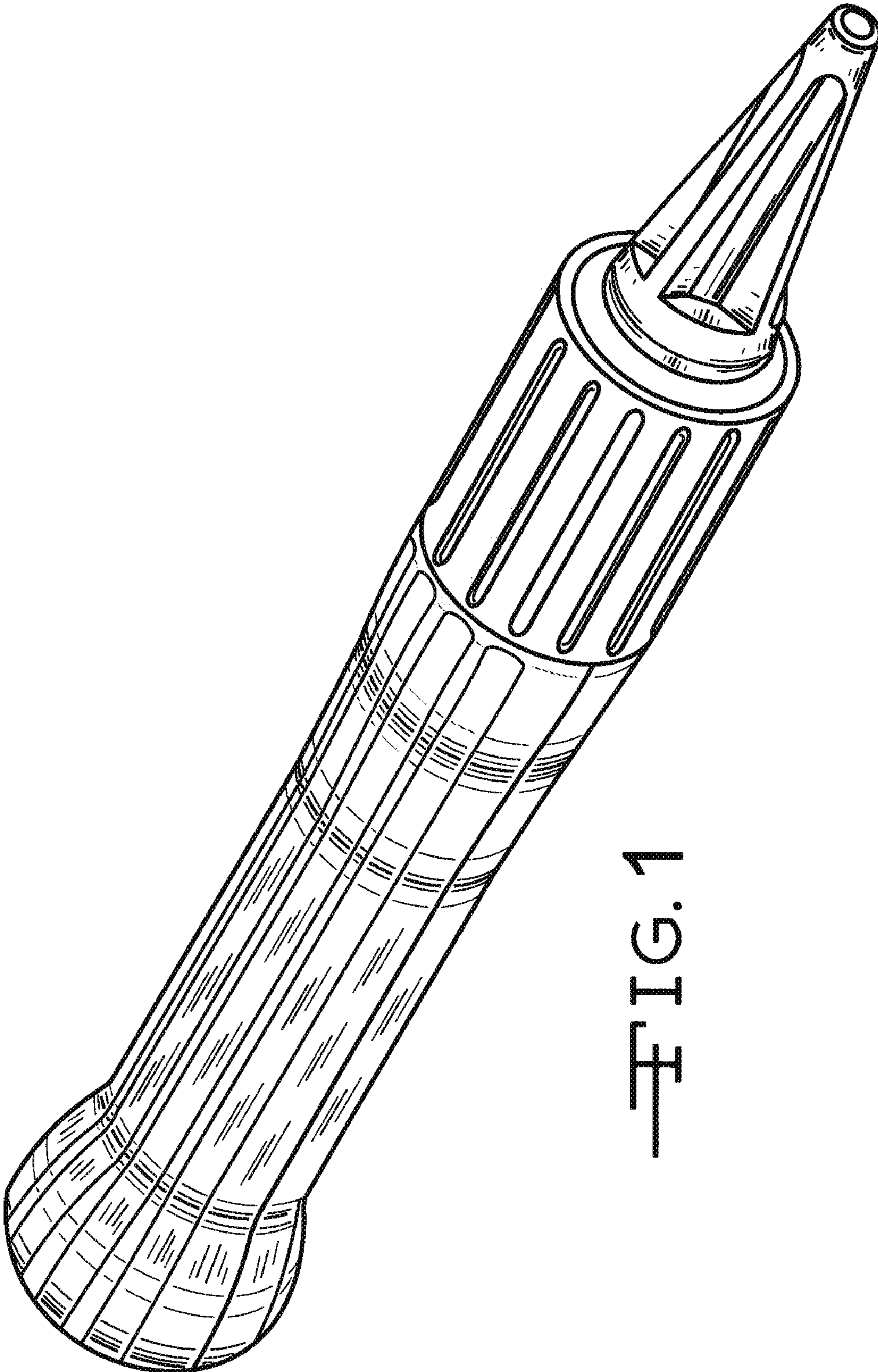


FIG. 1

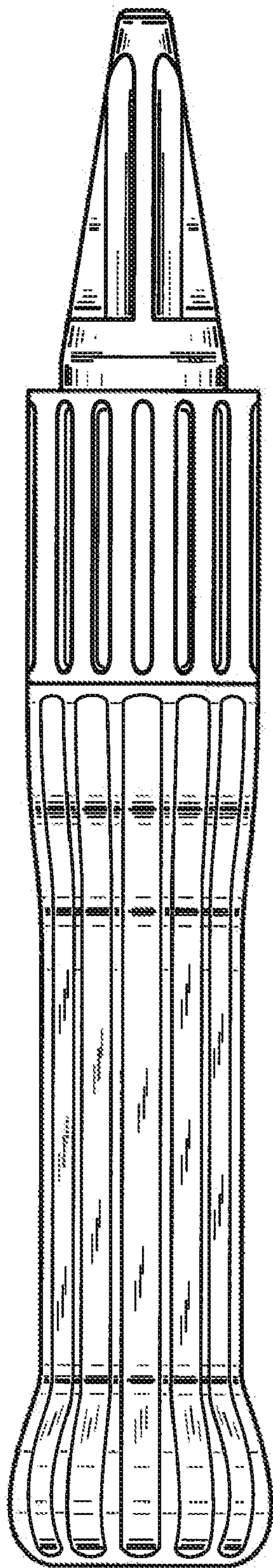


FIG. 2

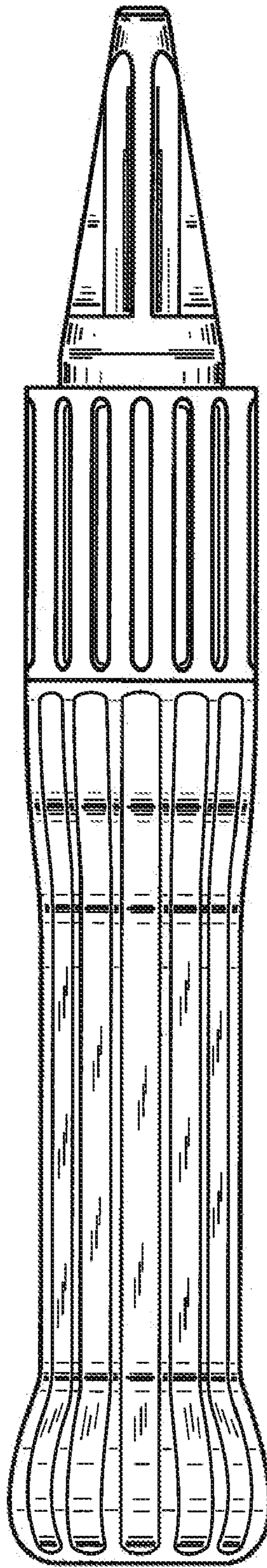


FIG. 3

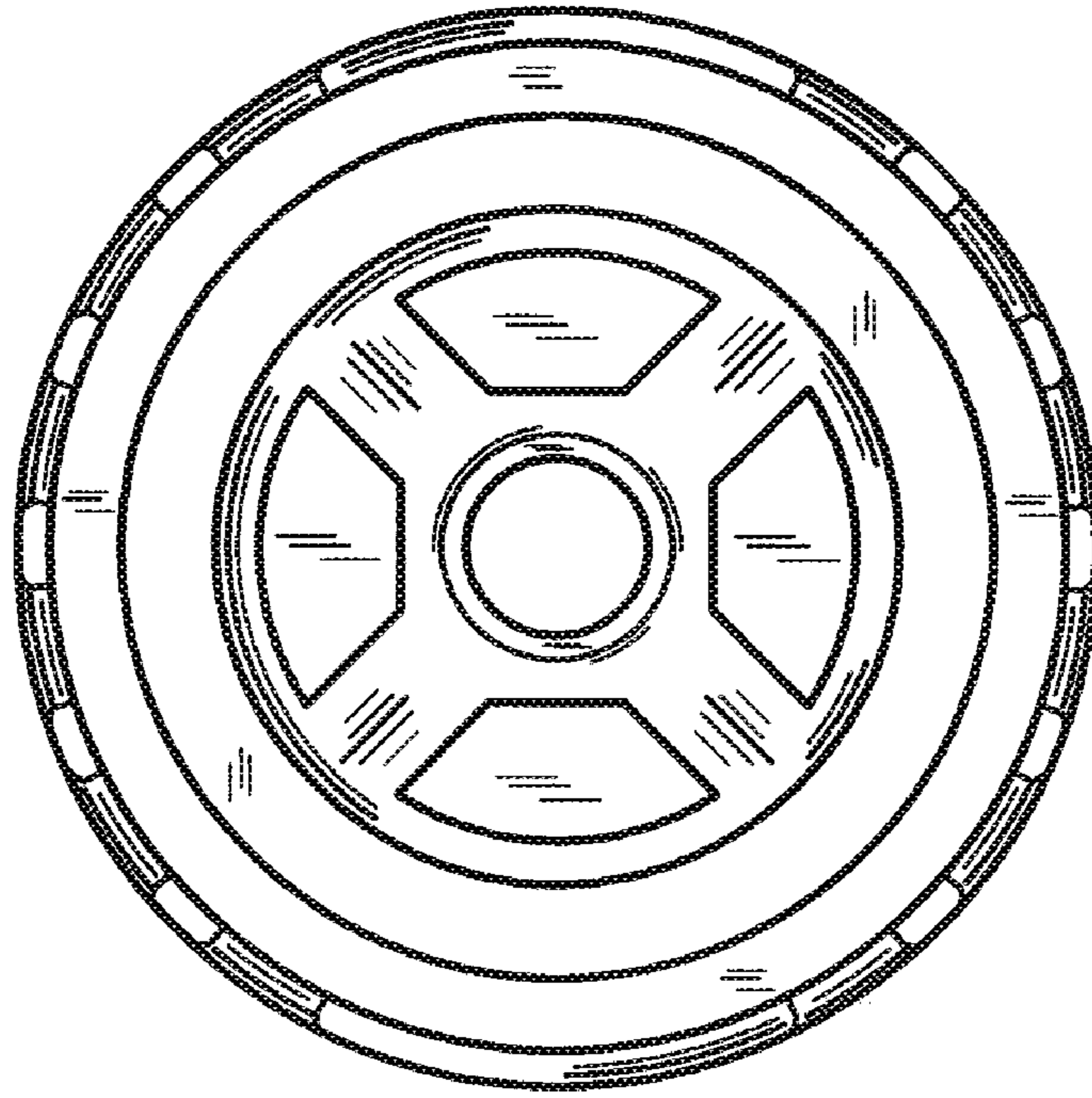


FIG. 4

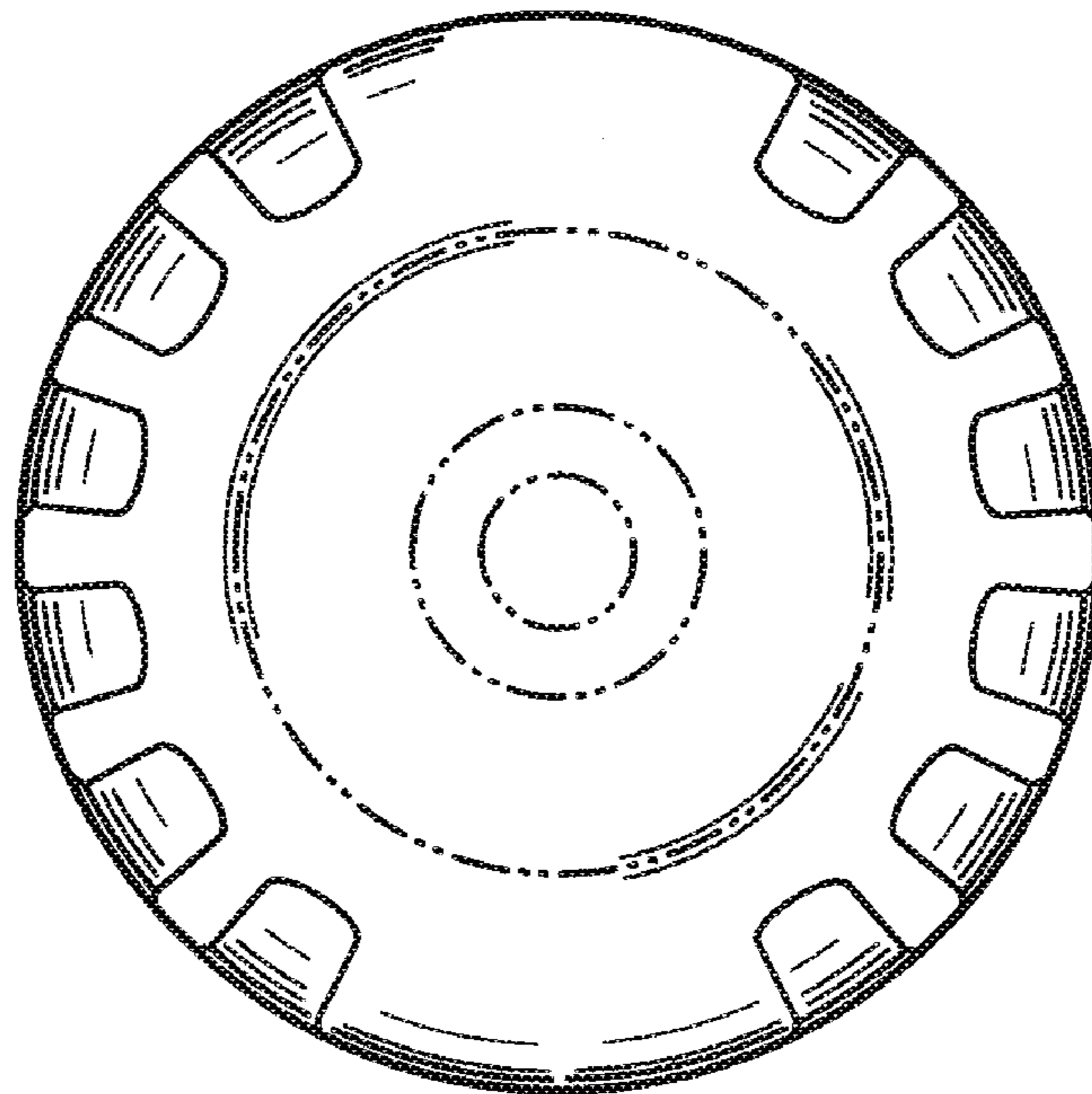


FIG. 5