



US00D653335S

(12) **United States Design Patent**  
**Kampa et al.**

(10) **Patent No.:** **US D653,335 S**  
(45) **Date of Patent:** **\*\* Jan. 31, 2012**

(54) **CATHETER HANDLE**

(75) Inventors: **Nicholas Kampa**, Saint Paul, MN (US);  
**Aaron Opbroek**, Brooklyn Park, MN  
(US)

(73) Assignee: **Greatbatch Ltd.**, Clarence, NY (US)

(\*\*) Term: **14 Years**

(21) Appl. No.: **29/360,668**

(22) Filed: **Apr. 29, 2010**

(51) **LOC (9) Cl.** ..... **24-02**

(52) **U.S. Cl.** ..... **D24/130**

(58) **Field of Classification Search** ..... D24/112,  
D24/138, 133, 144, 130, 108, 222, 114, 127;  
604/95.04, 528; 600/374, 381, 463, 466  
See application file for complete search history.

(56) **References Cited**

U.S. PATENT DOCUMENTS

D343,678 S	1/1994	Snoke et al.	
5,275,151 A	1/1994	Shockey et al.	
D345,419 S	3/1994	Horrigan et al.	
D351,652 S	10/1994	Thompson et al.	
5,364,352 A *	11/1994	Cimino et al. ....	604/95.04
D381,076 S	7/1997	Thornton et al.	
D384,743 S	10/1997	Chia et al.	
D387,863 S	12/1997	Herman et al.	
D405,881 S	2/1999	Snoke et al.	
6,017,322 A	1/2000	Snoke et al.	
6,042,562 A	3/2000	Amor	
D422,359 S	4/2000	Fitch et al.	
D424,194 S	5/2000	Holdaway et al.	
D433,752 S	11/2000	Saravia	
D435,102 S	12/2000	Chakoff et al.	
6,183,435 B1	2/2001	Bumbalough et al.	
6,198,974 B1	3/2001	Webster, Jr.	
D453,833 S	2/2002	Hess	
D455,209 S	4/2002	Himbert	

D457,955 S	5/2002	Bilitz	
D465,024 S	10/2002	Henderson et al.	
6,589,182 B1 *	7/2003	Loftman et al. ....	600/466
6,752,800 B1	6/2004	Winston et al.	
D493,530 S	7/2004	Reschke	
D495,051 S	8/2004	Reschke	
6,776,765 B2 *	8/2004	Soukup et al. ....	600/585
6,783,521 B2	8/2004	Ponzi et al.	
D535,396 S	1/2007	Reschke et al.	
D536,786 S	2/2007	Schreiner et al.	
D550,356 S	9/2007	Anderson et al.	
D560,803 S	1/2008	Tasse et al.	

(Continued)

FOREIGN PATENT DOCUMENTS

WO 1994015524 7/1994

*Primary Examiner* — T. Chase Nelson

*Assistant Examiner* — Eric Goodman

(74) *Attorney, Agent, or Firm* — Steven W. Winn

(57) **CLAIM**

The ornamental design for a catheter handle, as shown and described.

**DESCRIPTION**

FIG. 1 is a perspective view of a catheter handle according to the present invention with a stress relief embodiment.

FIG. 2 is a top side, elevational view of the catheter handle for the catheter shown in FIG. 1.

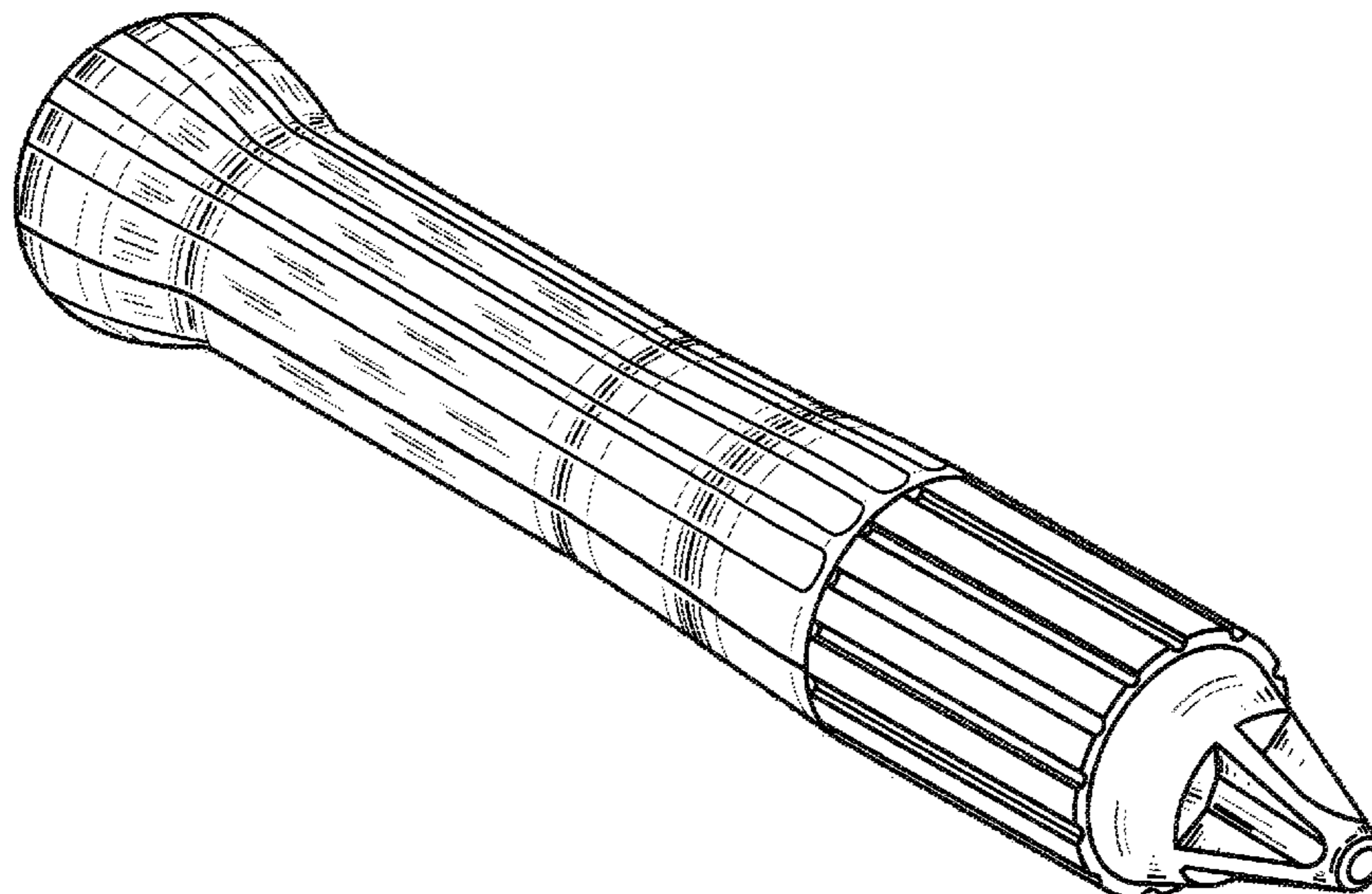
FIG. 3 is a bottom side, elevational view of the catheter handle for the catheter shown in FIG. 1,

FIG. 4 is a first end plan view of the catheter handle shown in FIG. 1; and,

FIG. 5 is a second end plan view of the catheter handle for the catheter shown in FIG. 1.

The portions of the design shown in broken lines are provided for illustrative purposes only and form no part of the claimed design.

**1 Claim, 3 Drawing Sheets**



# US D653,335 S

Page 2

---

U.S. PATENT DOCUMENTS							
D564,093	S	3/2008	Marchand et al.	D611,598	S	3/2010	Tenger et al.
D566,836	S	4/2008	Keane	D612,044	S	3/2010	Scheibe
D569,508	S	5/2008	Bacher et al.	7,674,282	B2	3/2010	Wu et al.
D572,995	S	7/2008	Lai	D616,095	S	5/2010	Kim et al.
D576,725	S	9/2008	Shumer et al.	D621,932	S	8/2010	Sonleiter et al.
D578,216	S	10/2008	Dorn et al.	D630,321	S *	1/2011	Hamilton, Jr. .... D24/133
D579,562	S *	10/2008	Anderson et al. .... D24/133	D640,785	S *	6/2011	Lee ..... D24/112
D581,529	S	11/2008	Moehle et al.	2003/0125663	A1 *	7/2003	Coleman et al. .... 604/95.04
7,465,288	B2	12/2008	Dudney et al.	2003/0181854	A1 *	9/2003	Sauvageau ..... 604/95.04
D585,987	S	2/2009	Aparici et al.	2004/0010233	A1	1/2004	Hjertman et al.
D597,668	S	8/2009	Woodruff et al.	2004/0143197	A1 *	7/2004	Soukup et al. .... 600/585
D598,543	S	8/2009	Vogel et al.	2005/0256452	A1 *	11/2005	DeMarchi et al. .... 604/95.04
D600,808	S	9/2009	Morgan et al.	2006/0142694	A1 *	6/2006	Bednarek et al. .... 604/95.04
D604,844	S	11/2009	Summerer et al.	2010/0256606	A1 *	10/2010	Lippert et al. .... 604/529

\* cited by examiner

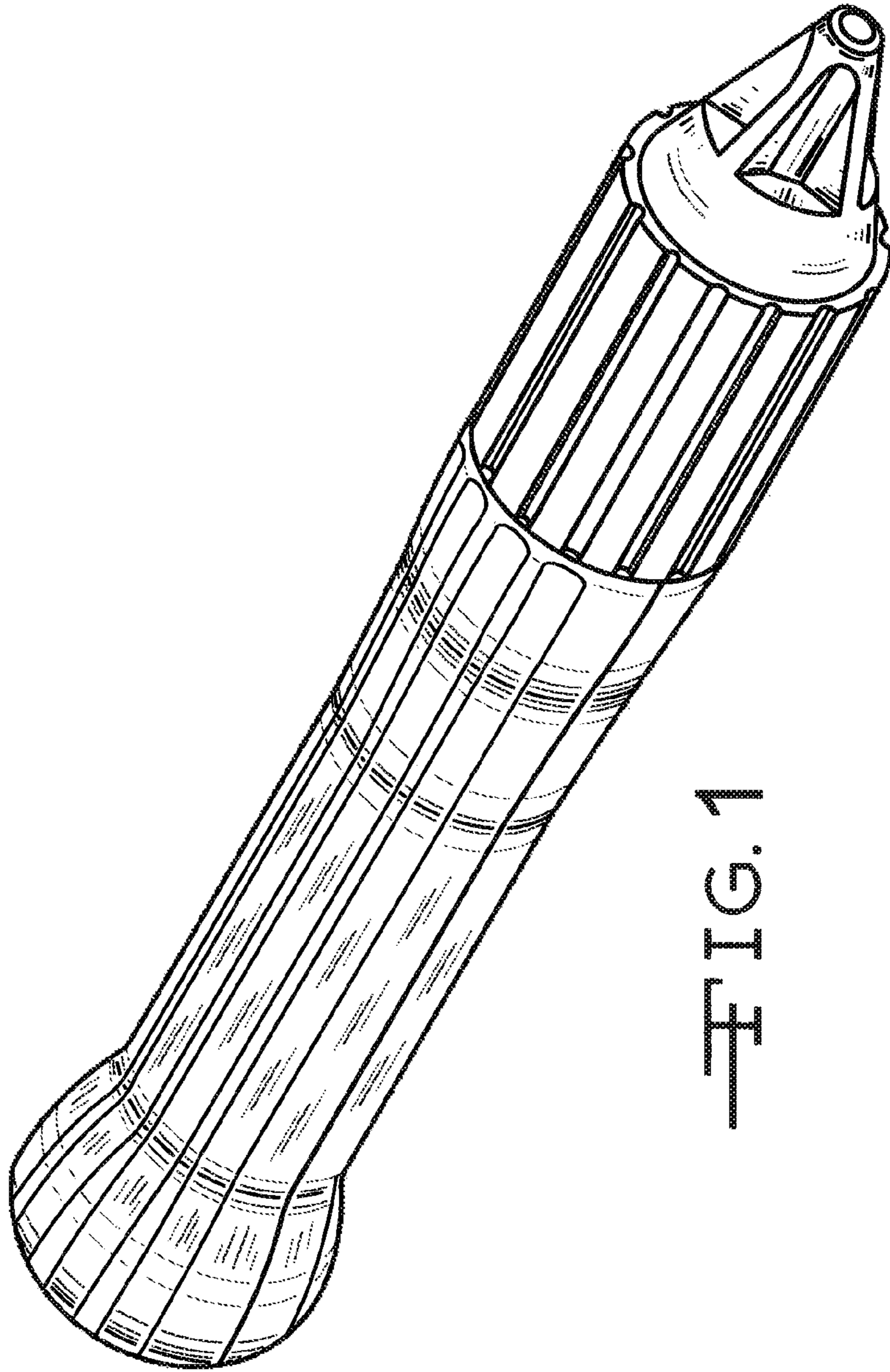


FIG. 1



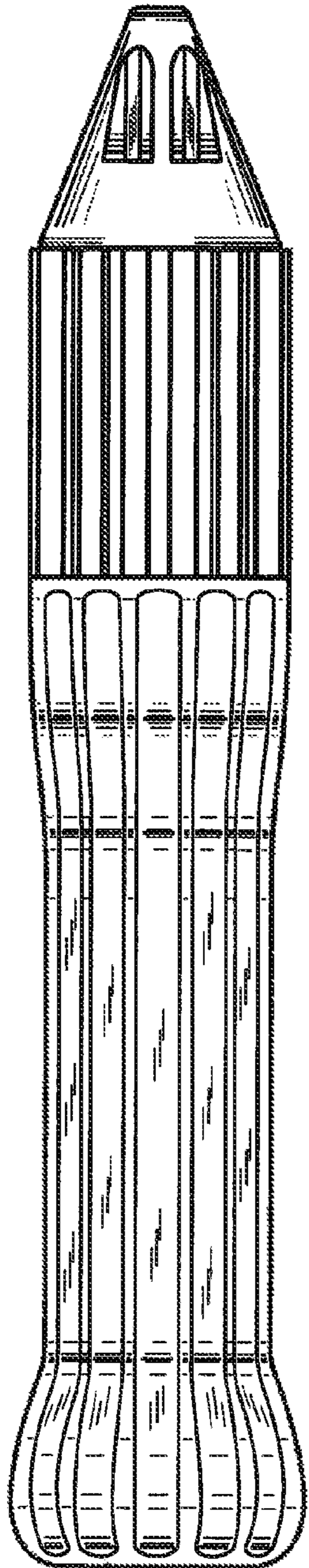


FIG. 2

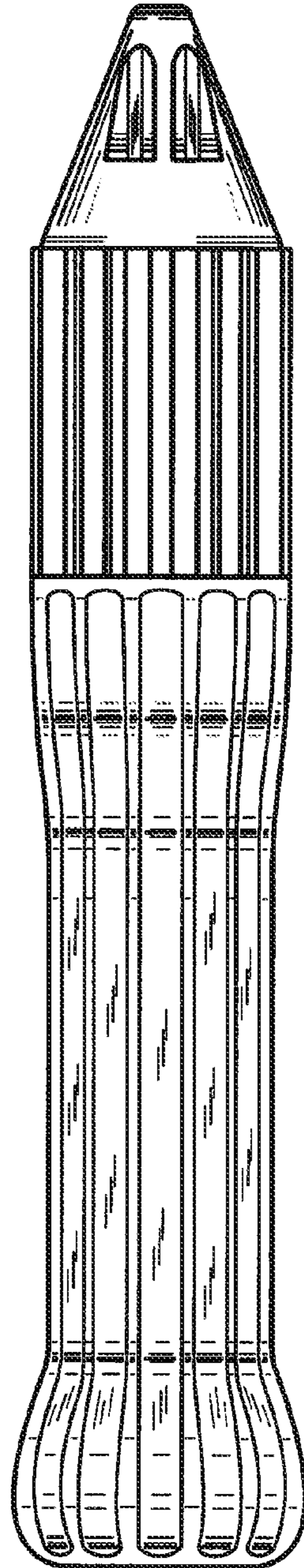
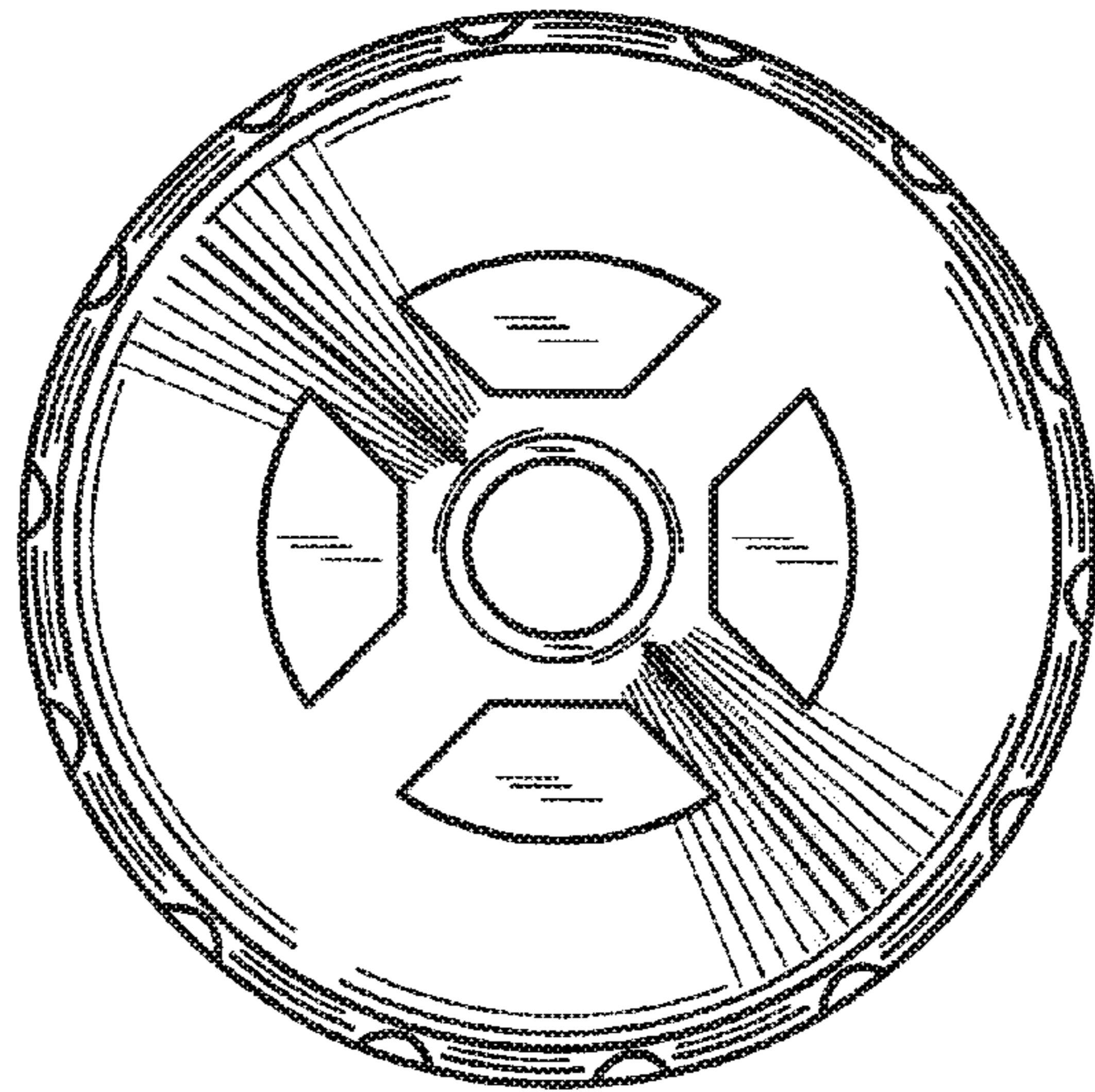
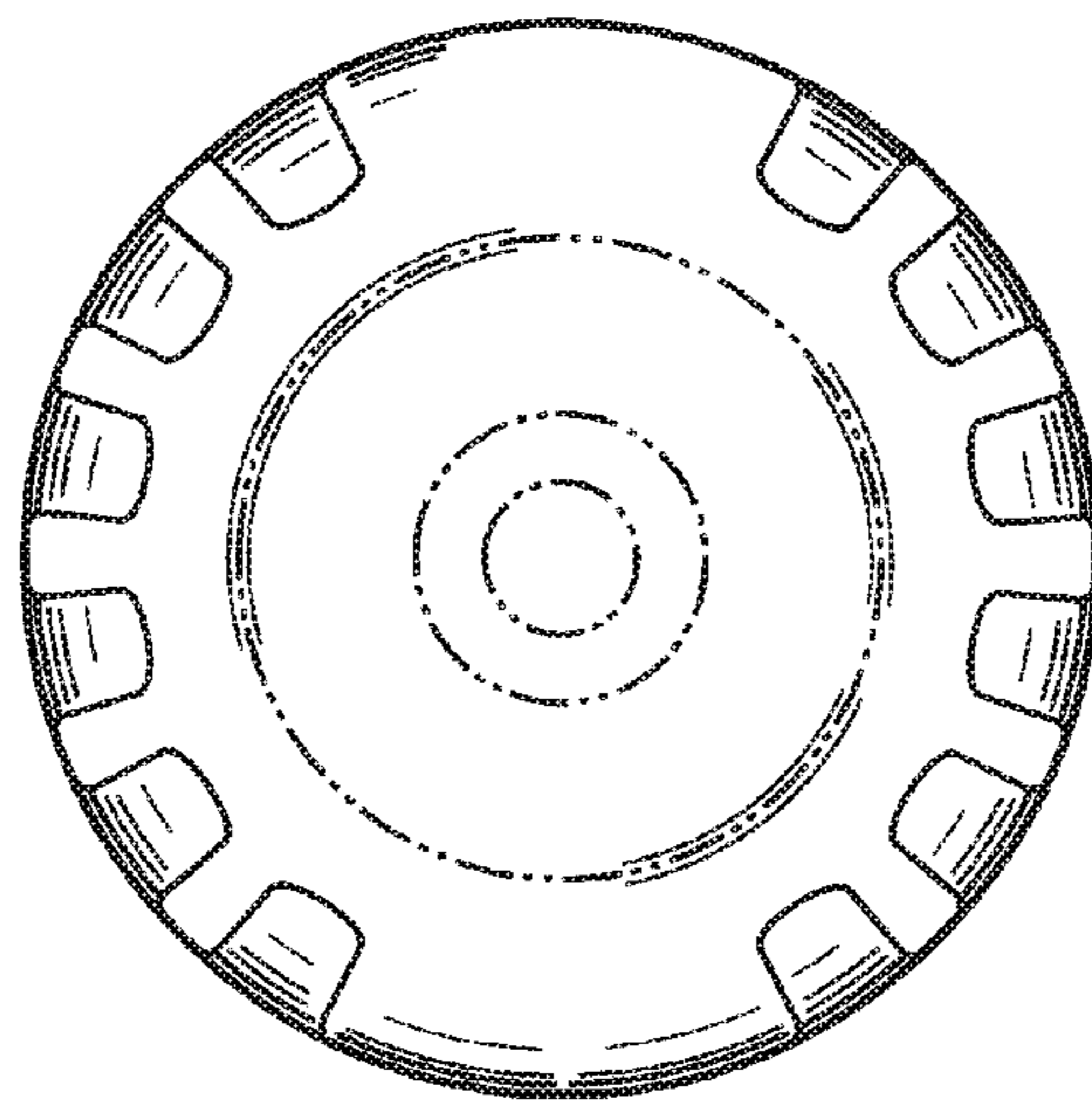


FIG. 3



—FIG. 4



—FIG. 5