



US00D653334S

(12) **United States Design Patent**  
**Thompson et al.**

(10) **Patent No.:** **US D653,334 S**

(45) **Date of Patent:** **\*\* Jan. 31, 2012**

(54) **TRACHEOTOMY TUBE ACCOMMODATING BIB**

(76) Inventors: **Robert W. Thompson**, Miami, FL (US);  
**Linda A. Thompson**, Miami, FL (US)

(\*\*) Term: **14 Years**

(21) Appl. No.: **29/353,621**

(22) Filed: **Jan. 12, 2010**

(51) **LOC (9) Cl.** ..... **24-02**

(52) **U.S. Cl.** ..... **D24/128**

(58) **Field of Classification Search** ..... D24/128;  
D2/860-864; 2/48-49.2, 49.4  
See application file for complete search history.

(56) **References Cited**

**U.S. PATENT DOCUMENTS**

2,431,052	A *	11/1947	La Gier	.....	2/49.1
2,461,430	A *	2/1949	Mack	.....	2/49.1
2,653,324	A *	9/1953	McMahon	.....	2/49.2
2,949,611	A *	8/1960	Wilkaitis	.....	2/49.1
3,010,110	A *	11/1961	Kirk	.....	2/49.1
3,146,465	A *	9/1964	Hummel	.....	2/49.3
3,283,971	A *	11/1966	Jones	.....	224/183
3,404,407	A *	10/1968	Lapidus	.....	2/49.1
3,422,817	A	1/1969	Mishkin et al.		
4,606,736	A *	8/1986	Van De Weghe	.....	604/322
4,891,846	A	1/1990	Sager et al.		
5,414,903	A *	5/1995	Porteous	.....	24/9
D383,891	S *	9/1997	Hill	.....	D2/864
5,701,605	A	12/1997	Bowen		
D394,339	S *	5/1998	Hill	.....	D2/864
5,924,421	A	7/1999	Rosbrook et al.		
6,000,056	A *	12/1999	Brady et al.	.....	2/49.1
D436,430	S *	1/2001	Merrifield	.....	D2/863
6,186,139	B1	2/2001	Bezicot et al.		
6,237,150	B1	5/2001	Lucas		
6,363,530	B1	4/2002	Lampson et al.		
D458,008	S *	6/2002	Thacher	.....	D2/864
D476,795	S *	7/2003	Reitknecht	.....	D2/861
D477,873	S *	7/2003	Borash et al.	.....	D24/128
6,772,804	B1	8/2004	Ryan		
D508,994	S *	8/2005	Hostetler	.....	D24/128
D513,446	S *	1/2006	Nadell et al.	.....	D2/624
7,174,571	B1	2/2007	Vonrinteln		
D580,974	S	11/2008	Hammad		

7,836,518	B2 *	11/2010	Bloom et al.	.....	2/50
7,865,971	B1 *	1/2011	Kileb	.....	2/52
D639,531	S *	6/2011	Hocker	.....	D2/861
D641,543	S *	7/2011	Goldfine	.....	D2/864
2001/0014980	A1 *	8/2001	Patterson et al.	.....	2/49.1
2004/0216208	A1 *	11/2004	Austin	.....	2/49.1
2005/0210558	A1 *	9/2005	Cannon	.....	2/49.1
2006/0225181	A1 *	10/2006	Rou	.....	2/46
2007/0199123	A1 *	8/2007	Friedland et al.	.....	2/49.1
2008/0189823	A1 *	8/2008	Amsel	.....	2/49.1
2009/0044307	A1 *	2/2009	Johnson	.....	2/49.1
2009/0158487	A1 *	6/2009	Paulsen	.....	2/49.2
2010/0095423	A1 *	4/2010	Lucas	.....	2/49.2
2011/0023761	A1 *	2/2011	Ekelund	.....	112/475.09
2011/0088133	A1 *	4/2011	Cox	.....	2/49.1

\* cited by examiner

*Primary Examiner* — T. Chase Nelson

*Assistant Examiner* — Eric Goodman

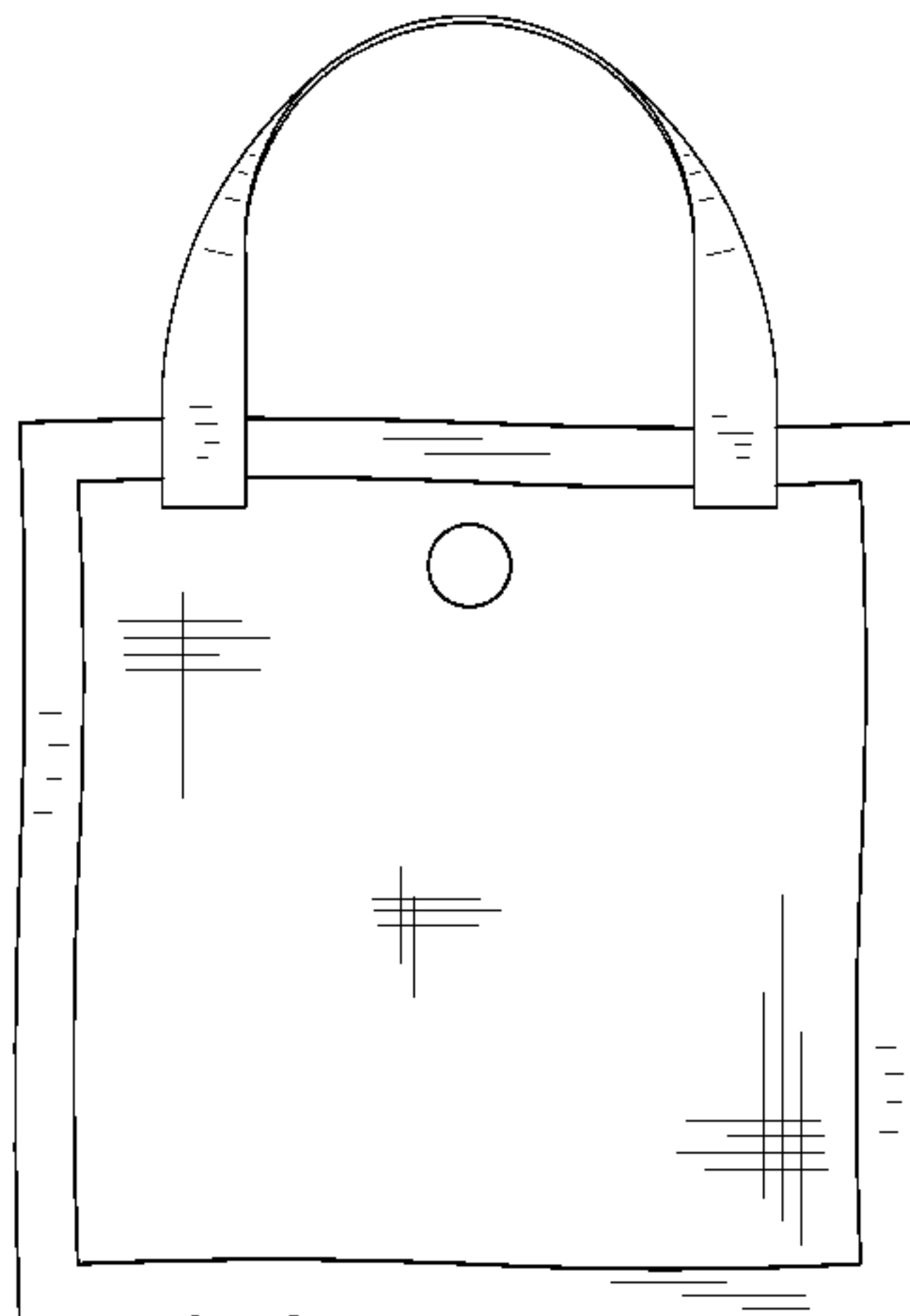
(57) **CLAIM**

The ornamental design for a tracheotomy tube accommodating bib, as shown and described.

**DESCRIPTION**

FIG. 1 is a front elevation view of a tracheotomy tube accommodating bib showing our new design;  
 FIG. 2 is a rear elevation view thereof;  
 FIG. 3 is a right elevation view thereof, the opposite side being a mirror image of the shown;  
 FIG. 4 is a top plan view thereof;  
 FIG. 5 is a bottom plan view thereof;  
 FIG. 6 is an isometric view thereof;  
 FIG. 7 is a front elevation view of an alternative embodiment thereof with an alternate strap design;  
 FIG. 8 is a rear elevation view of the embodiment of FIG. 7;  
 FIG. 9 is a right elevation view thereof, the opposite side being a mirror image of the shown;  
 FIG. 10 is a top plan view thereof;  
 FIG. 11 is a bottom plan view thereof; and,  
 FIG. 12 is an isometric view thereof illustrating the strap in an alternate position exposing a hook and loop fastener.  
 The broken lines in the drawing depict environmental subject matter only and form no part of the claimed design.

**1 Claim, 8 Drawing Sheets**



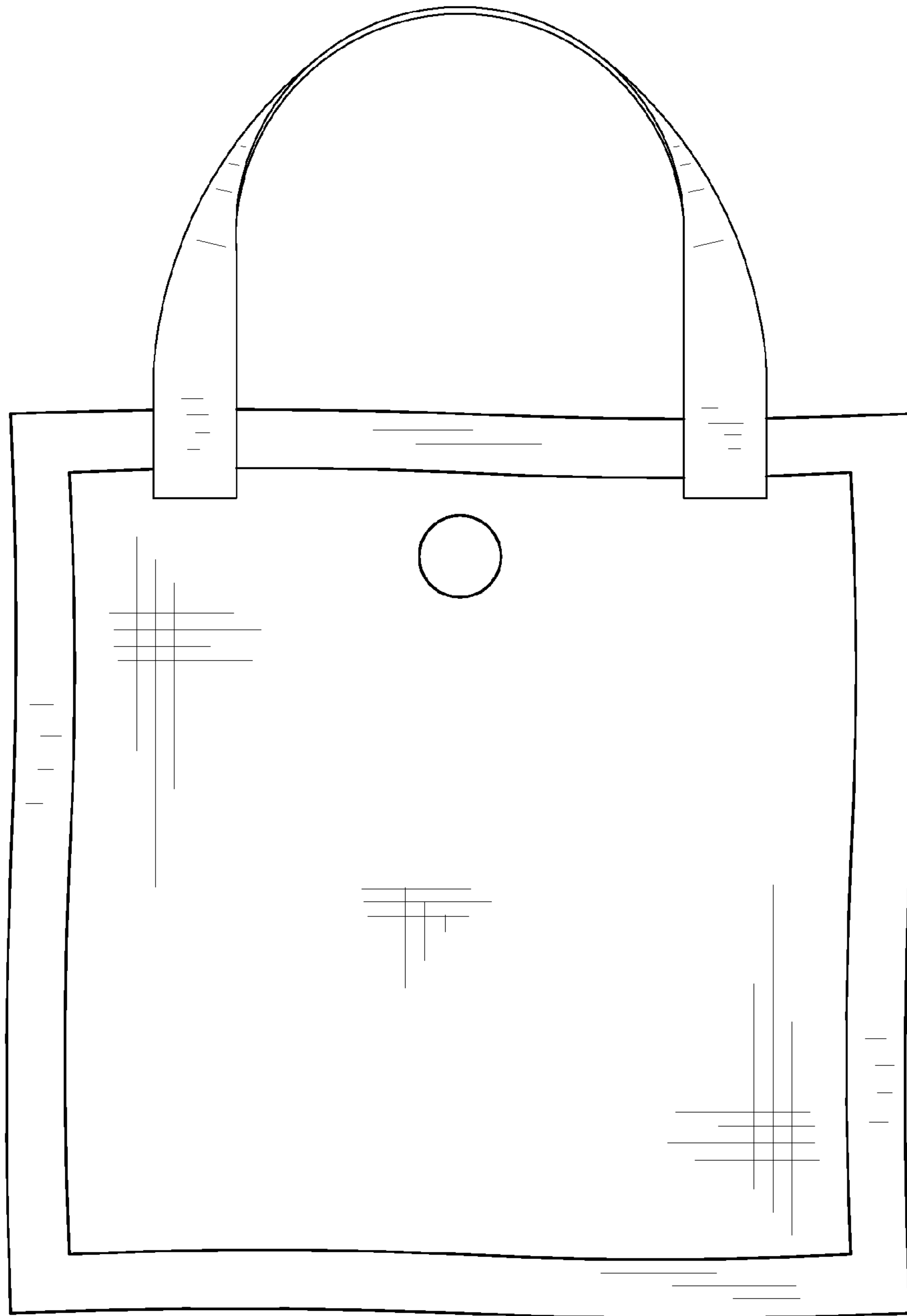


FIG. 1

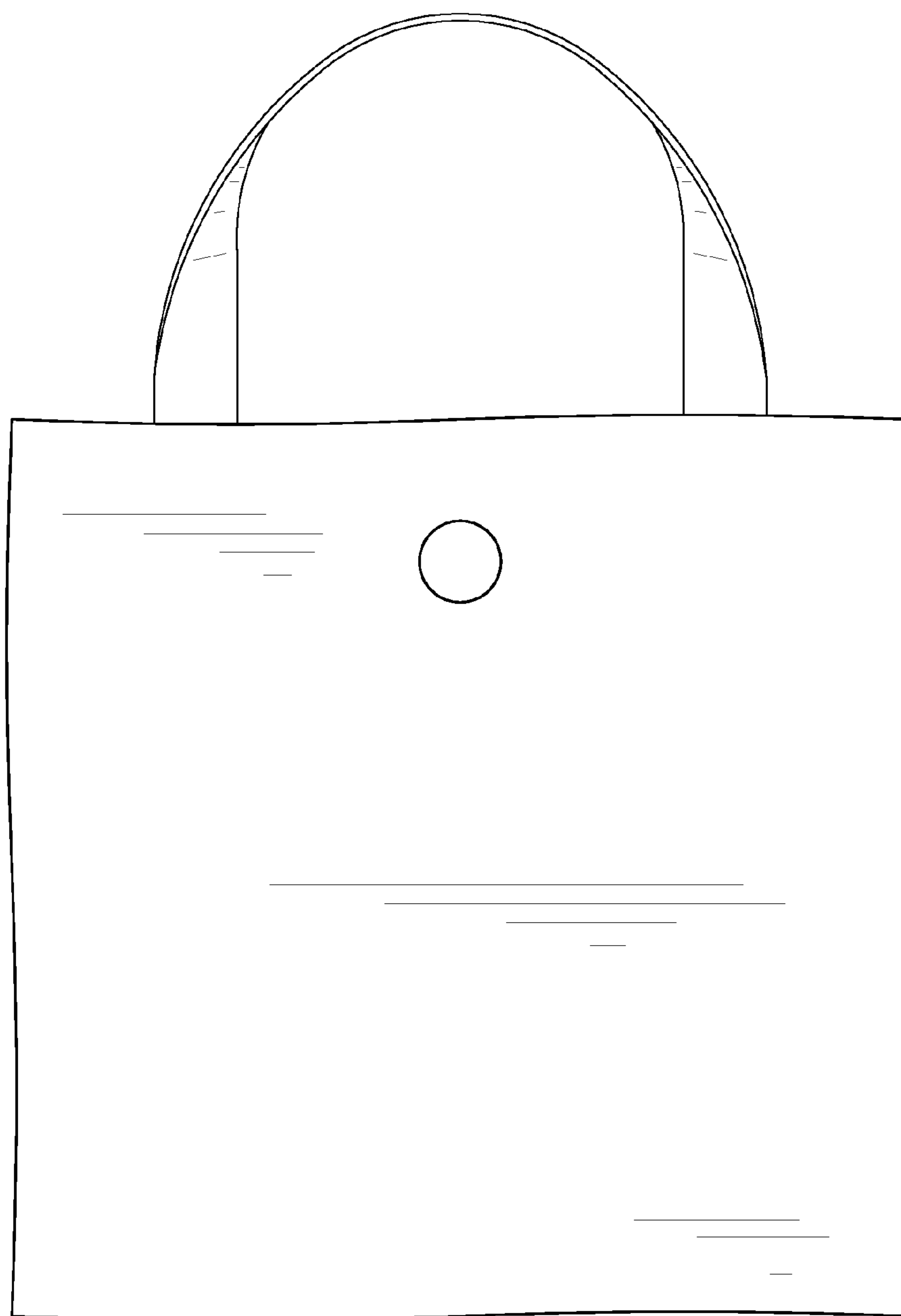


FIG. 2

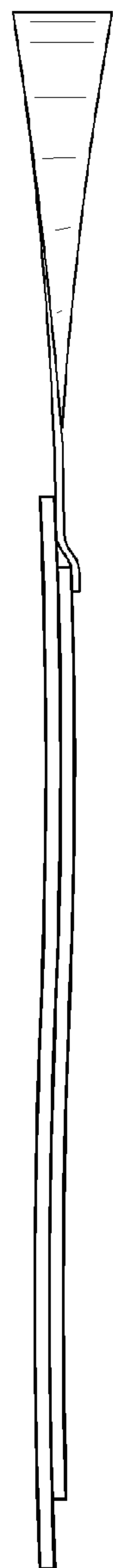


FIG. 3



FIG. 4

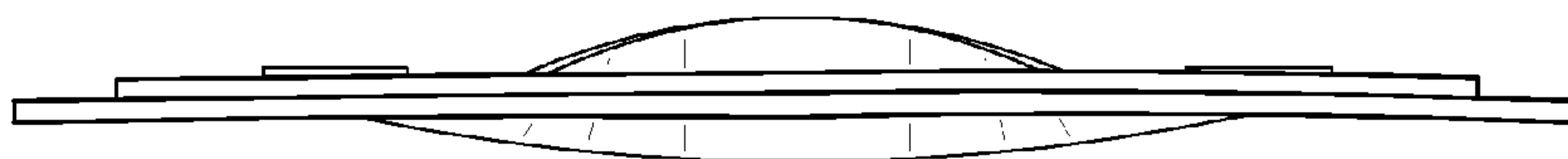


FIG. 5

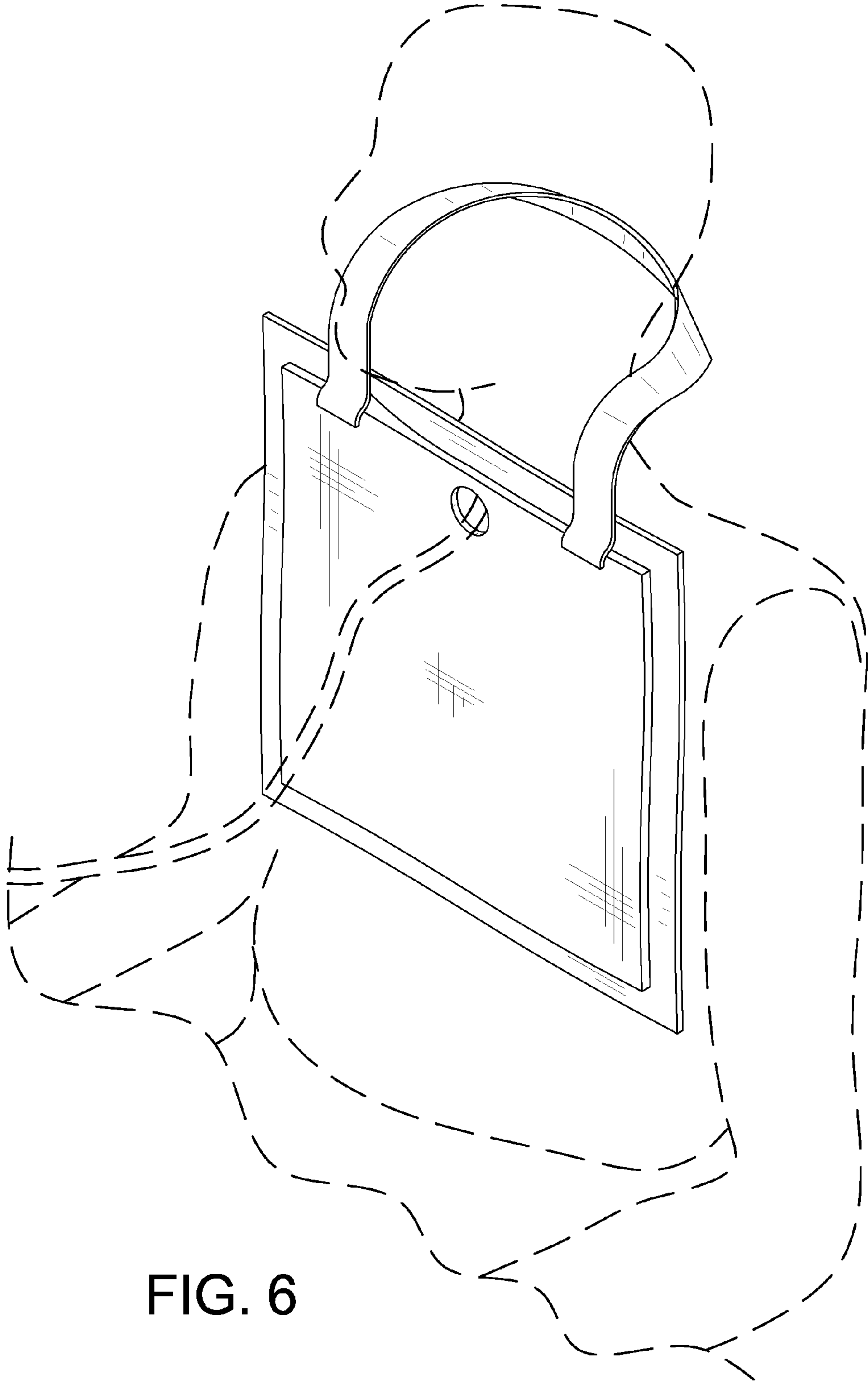


FIG. 6

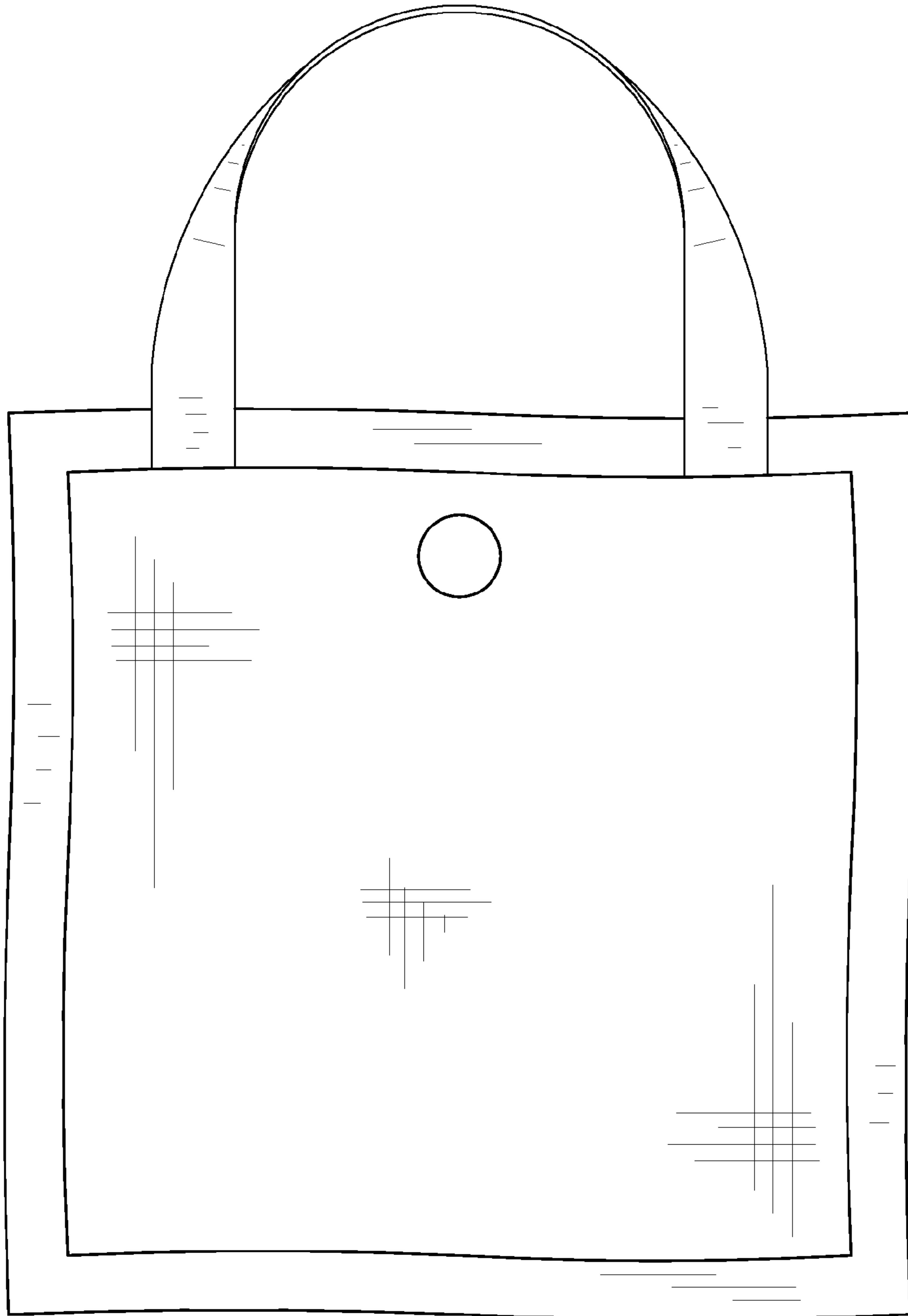


FIG. 7

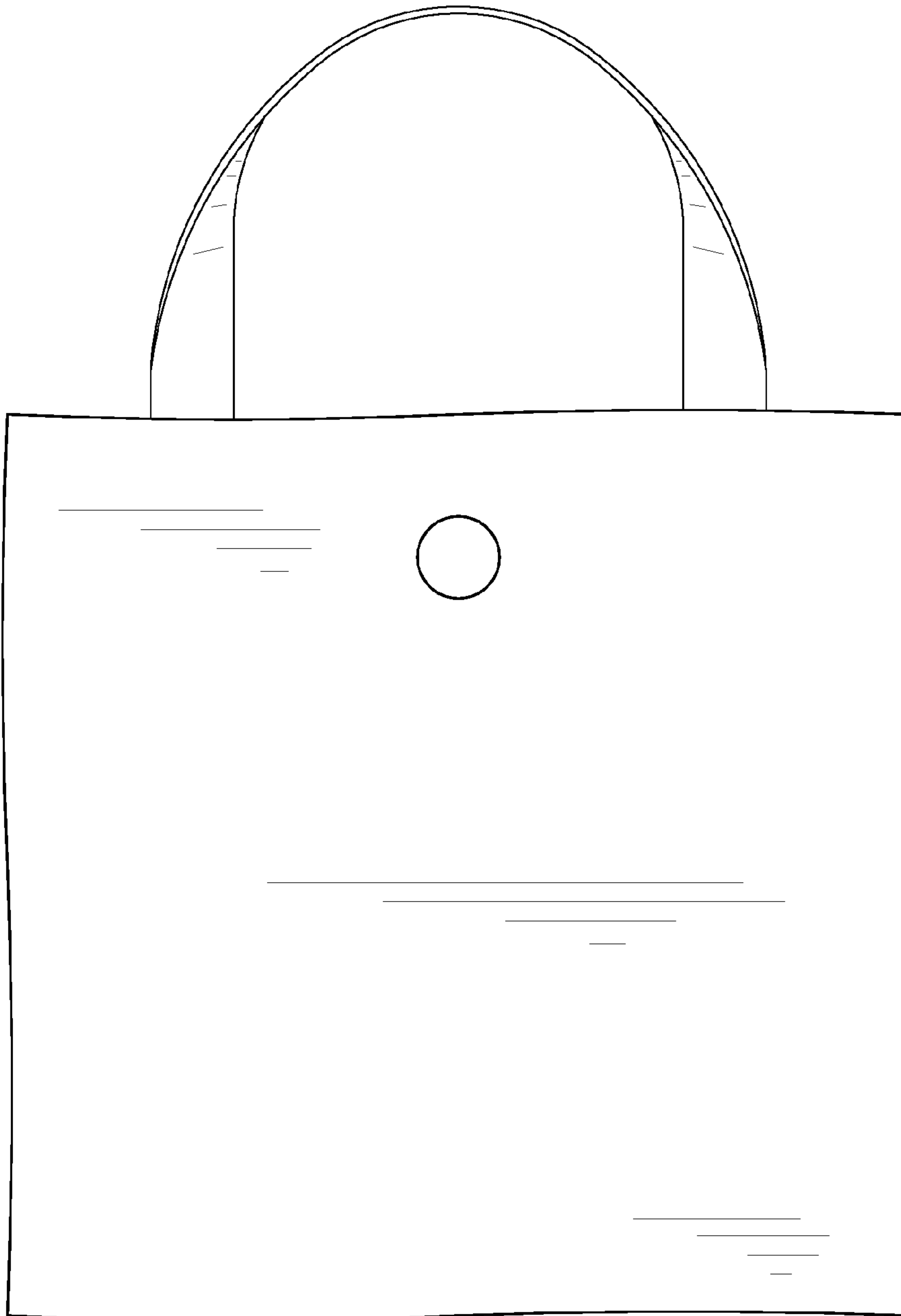


FIG. 8

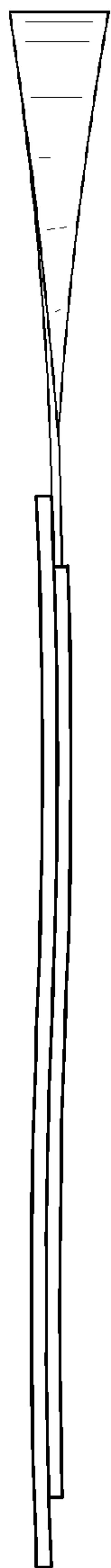


FIG. 9

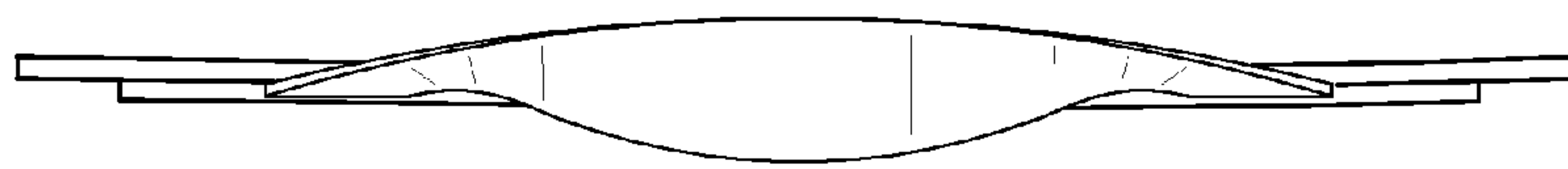


FIG. 10

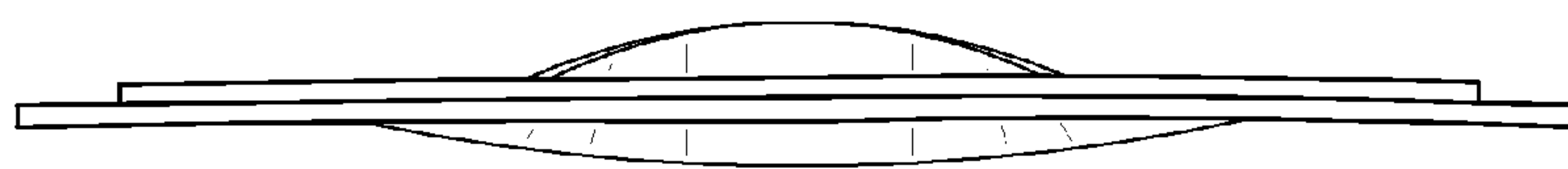


FIG. 11



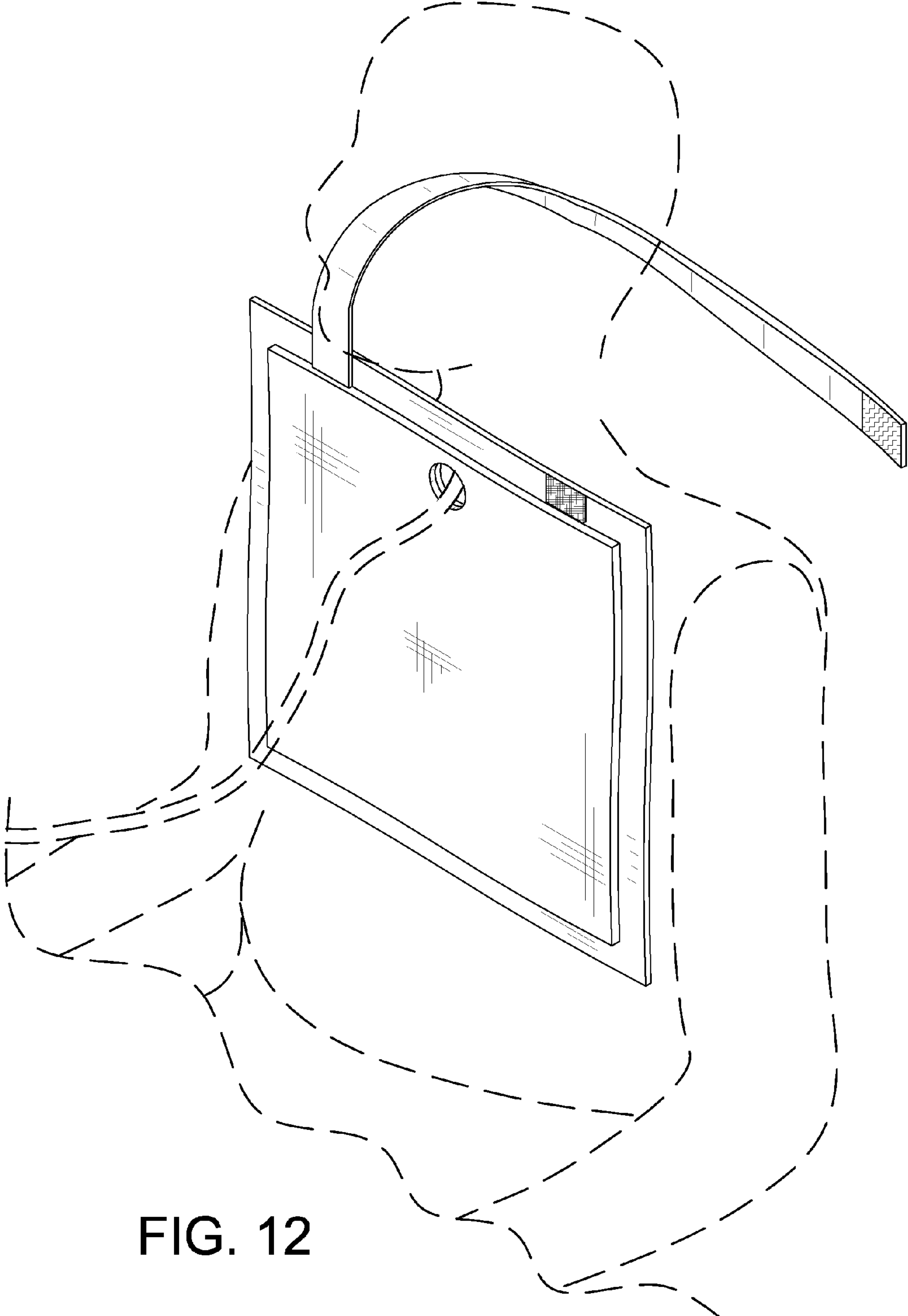


FIG. 12