



US00D653324S

(12) **United States Design Patent**
Townsend et al.

(10) **Patent No.:** **US D653,324 S**
(45) **Date of Patent:** **** Jan. 31, 2012**

(54) **STRUCTURAL SUPPORT MEMBER FOR A HARNESS FOR A BREATHING APPARATUS**

(75) Inventors: **Paul Townsend**, Northumberland (GB);
Gordon Wrigley, Tyne and Wear (GB)

(73) Assignee: **Draeger Safety UK Limited**, Blyth (GB)

(**) Term: **14 Years**

(21) Appl. No.: **29/360,213**

(22) Filed: **Apr. 22, 2010**

(51) **LOC (9) Cl.** **29-02**

(52) **U.S. Cl.** **D24/110**

(58) **Field of Classification Search** D24/110,
D24/110.5; D29/6, 124; D2/830; D8/373;
D21/801, 804, 354; D3/216; 224/633, 637;
128/205.22

See application file for complete search history.

(56) **References Cited**

U.S. PATENT DOCUMENTS

6,409,429	B1 *	6/2002	Belloni	405/186
D468,792	S *	1/2003	Jacoway et al.	D21/804
D500,545	S *	1/2005	Griffiths	D21/804
6,848,120	B2 *	2/2005	Kling et al.	2/312

6,920,879	B2 *	7/2005	Haeuser	128/205.22
D523,920	S *	6/2006	Cresswell	D21/804
7,198,186	B2 *	4/2007	Kling et al.	224/628
7,322,350	B2 *	1/2008	Kling	128/200.24
7,748,380	B1 *	7/2010	Phifer et al.	128/201.25
7,793,809	B2 *	9/2010	Howell	224/628
D624,749	S *	10/2010	Evans	D3/216
D632,021	S *	2/2011	Carr et al.	D29/124

* cited by examiner

Primary Examiner — Ian Simmons

Assistant Examiner — Christopher Lee

(74) *Attorney, Agent, or Firm* — DLA Piper LLP (US)

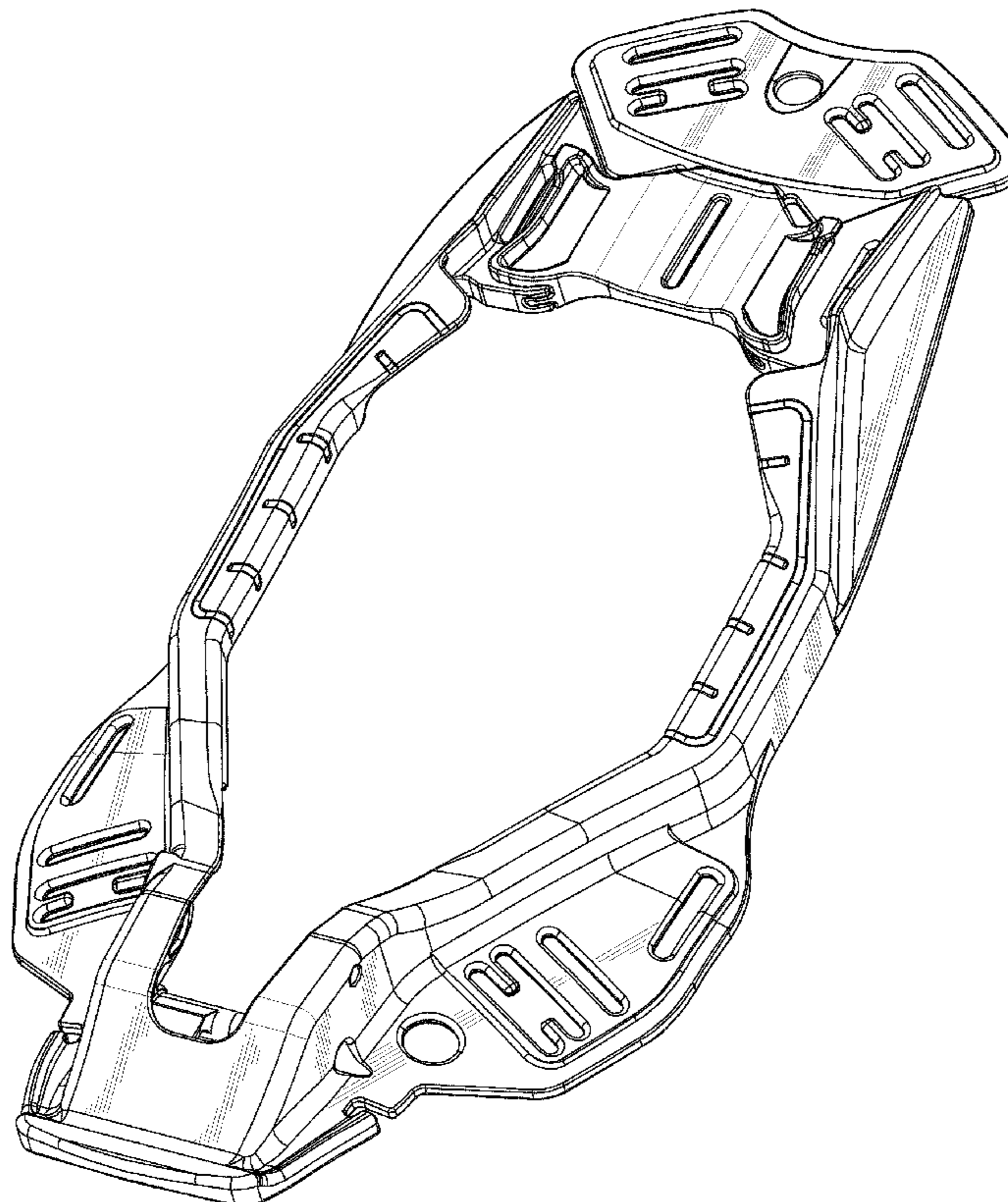
(57) **CLAIM**

The ornamental design for a structural support member for a harness for a breathing apparatus, substantially as shown and described.

DESCRIPTION

FIG. 1 is a perspective view of a structural support member for a harness for a breathing apparatus, showing the design. FIG. 2 is a top view thereof. FIG. 3 is a bottom view thereof. FIG. 4 is a first side view thereof. FIG. 5 is a second side view thereof. FIG. 6 is a first end view thereof; and, FIG. 7 is a second end view thereof.

1 Claim, 5 Drawing Sheets



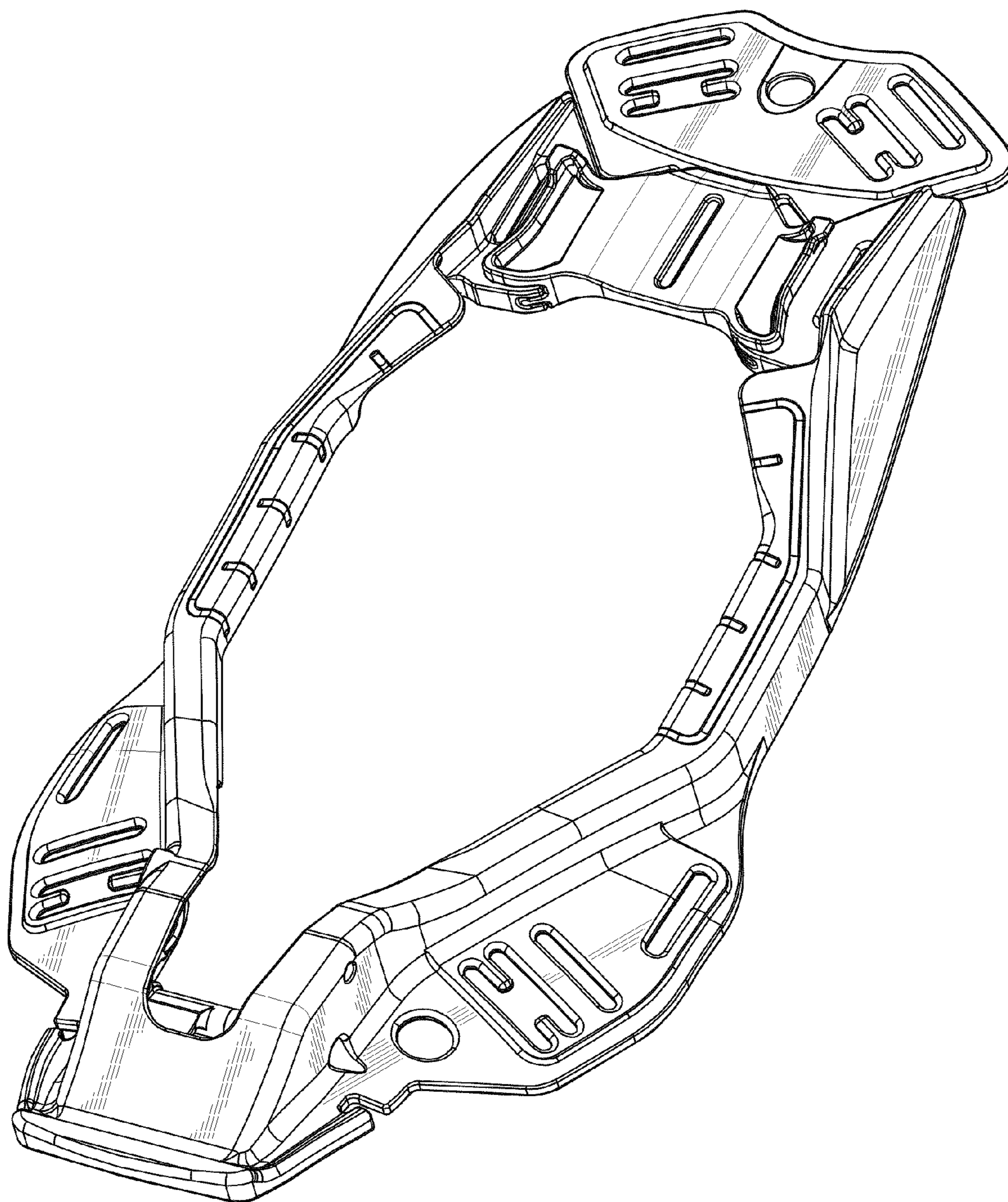


FIG. 1

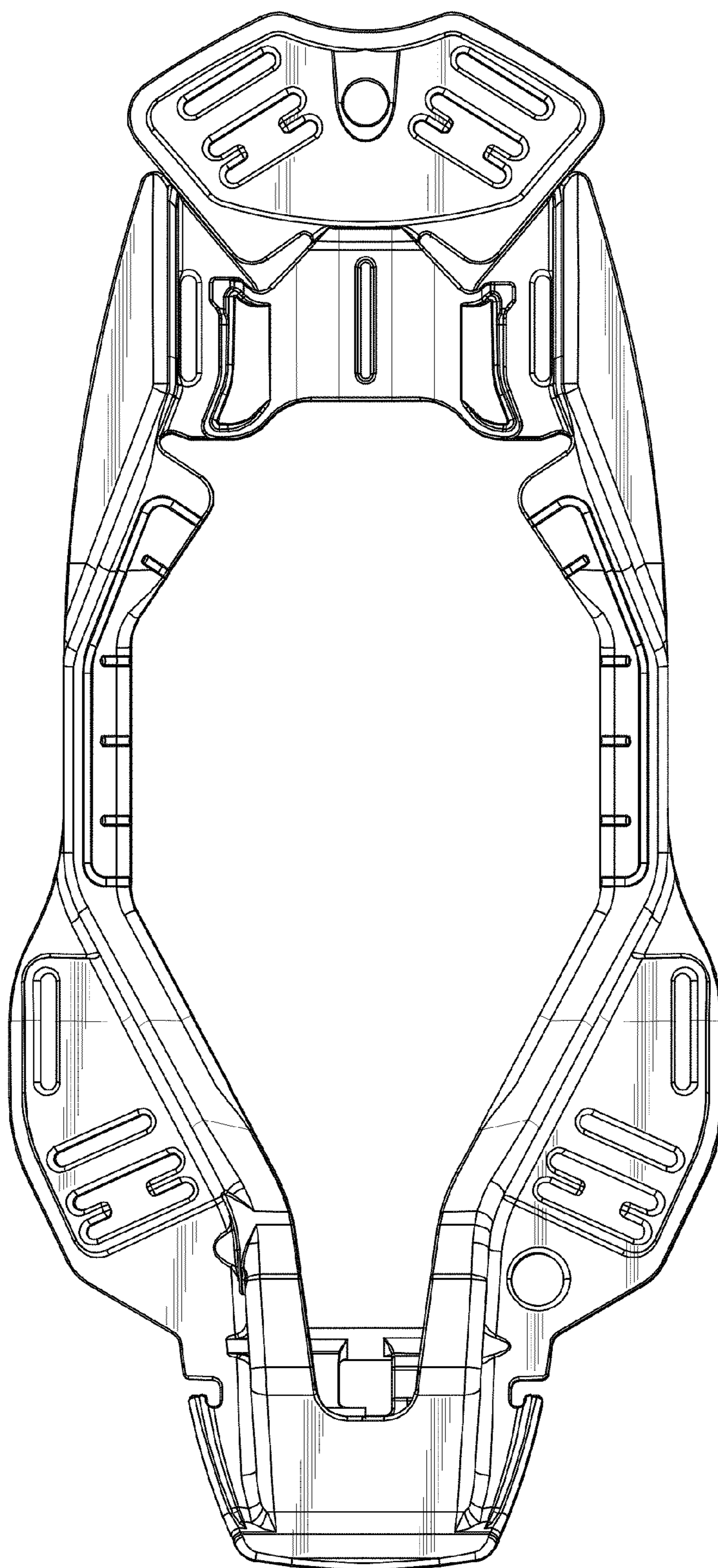


FIG. 2

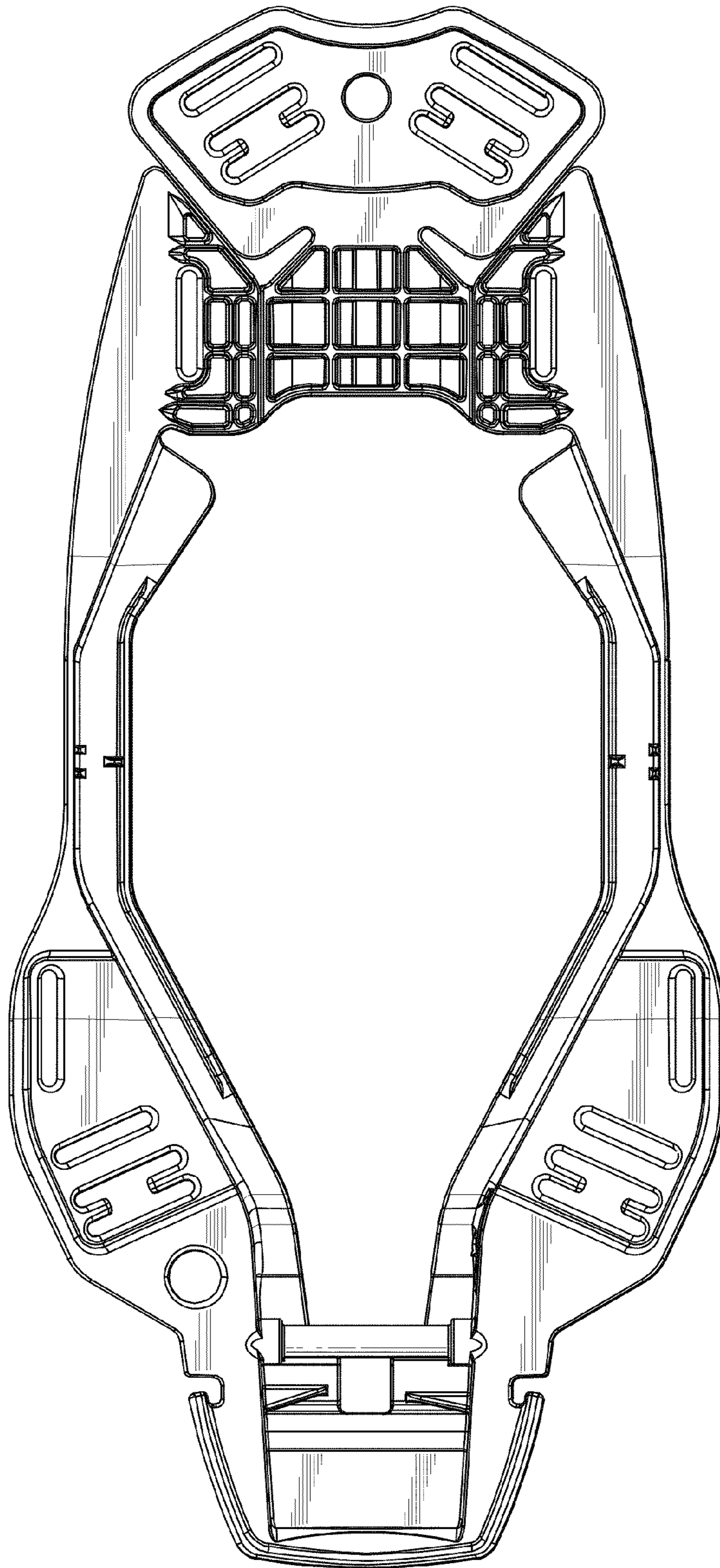


FIG. 3

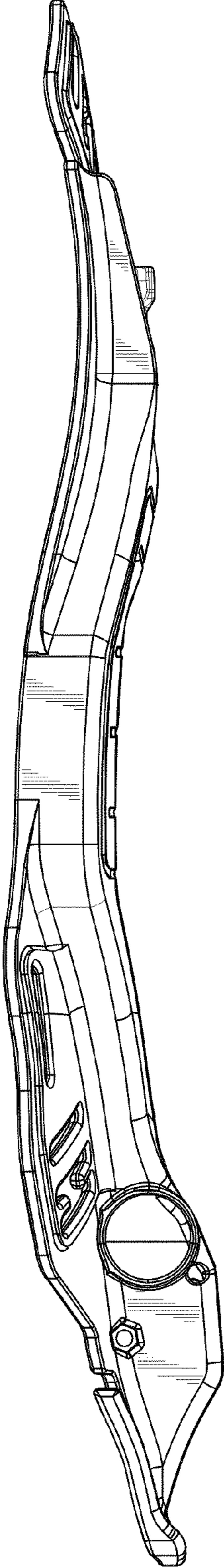


FIG. 4

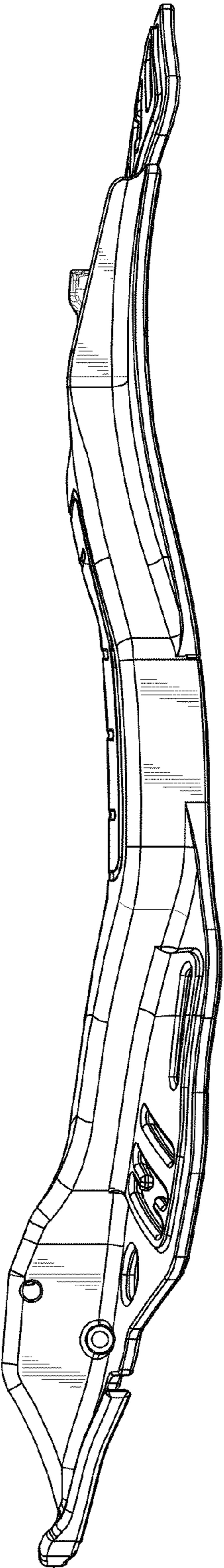


FIG. 5

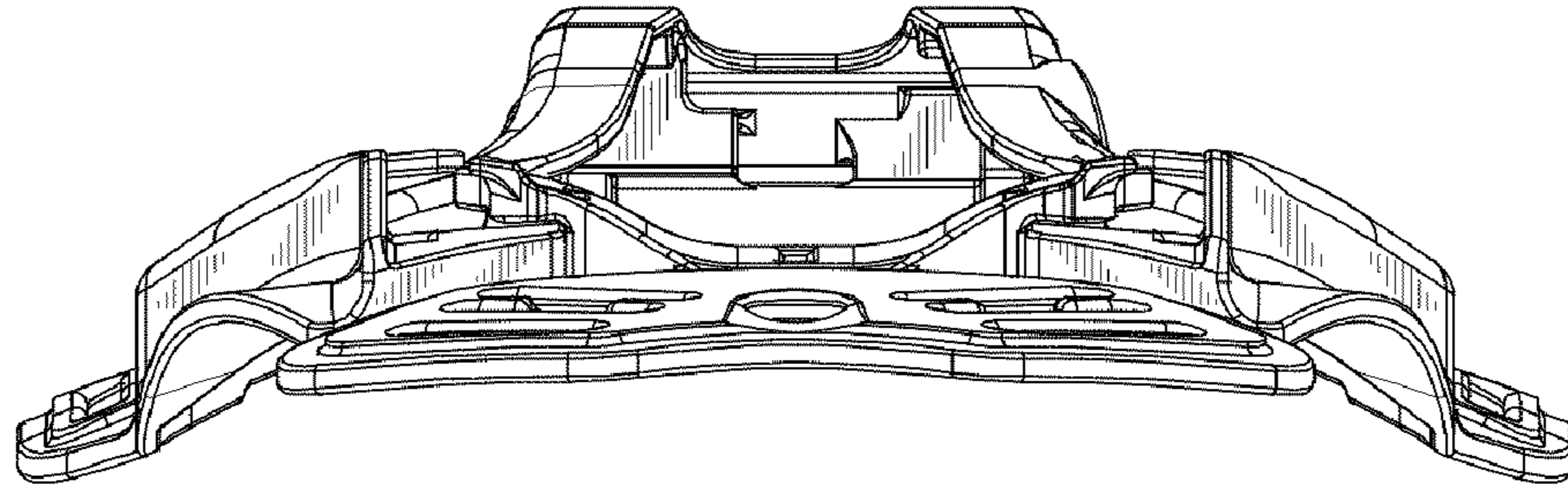


FIG. 6

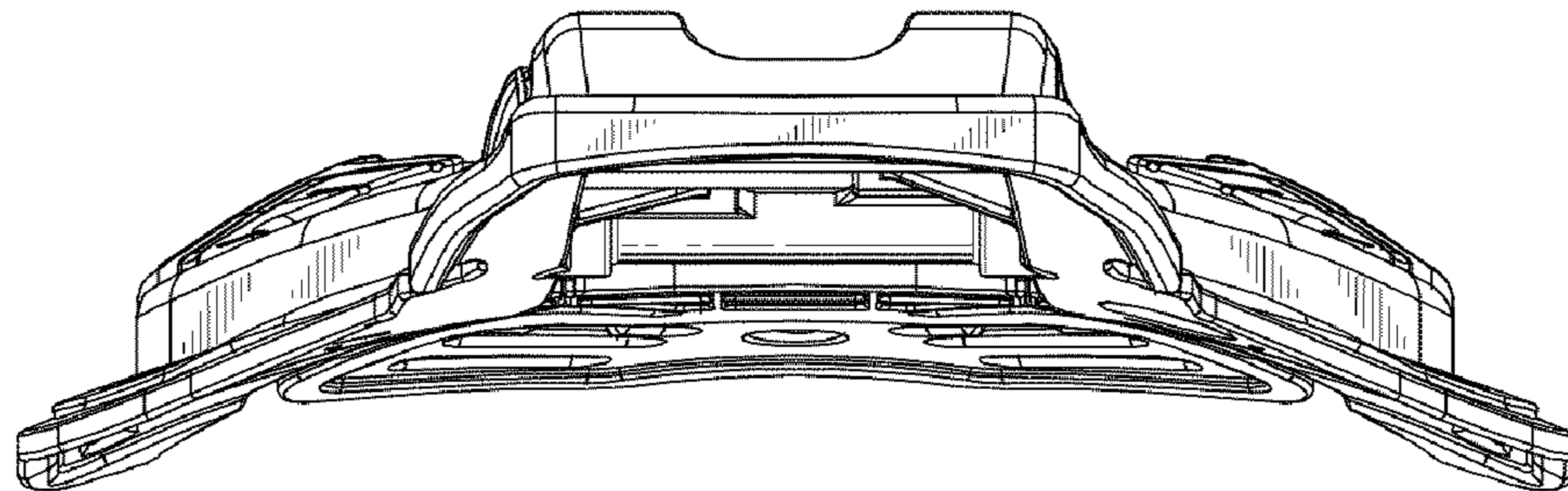


FIG. 7