

US00D653322S

(12) **United States Design Patent**  
**Southernwood et al.**

(10) **Patent No.:** **US D653,322 S**  
(45) **Date of Patent:** **\*\* Jan. 31, 2012**

(54) **AIR SANITIZING DEVICE**

(75) Inventors: **Clive John Southernwood**, Banbury (GB); **Christopher Leonard Padain**, Hoboken, NJ (US)

(73) Assignee: **Reckitt Benckiser LLC**, Parsippany, NJ (US)

(\*\*) Term: **14 Years**

(21) Appl. No.: **29/385,320**

(22) Filed: **Feb. 11, 2011**

(51) **LOC (9) Cl.** ..... **28-99**

(52) **U.S. Cl.** ..... **D23/366**

(58) **Field of Classification Search** ..... D23/355-369;  
D28/5, 6; 261/DIG. 17, DIG. 42, DIG. 47,  
261/DIG. 55, DIG. 65, DIG. 70, DIG. 88,  
261/DIG. 89; 392/386, 390, 392, 394, 395;  
239/34, 44, 53, 56, 60, 308, 326

See application file for complete search history.

(56) **References Cited**

U.S. PATENT DOCUMENTS

D583,450 S \* 12/2008 Choi ..... D23/364  
D644,725 S \* 9/2011 Kim ..... D23/366

\* cited by examiner

*Primary Examiner* — Sandra Snapp

(74) *Attorney, Agent, or Firm* — Norris McLaughlin & Marcus PA

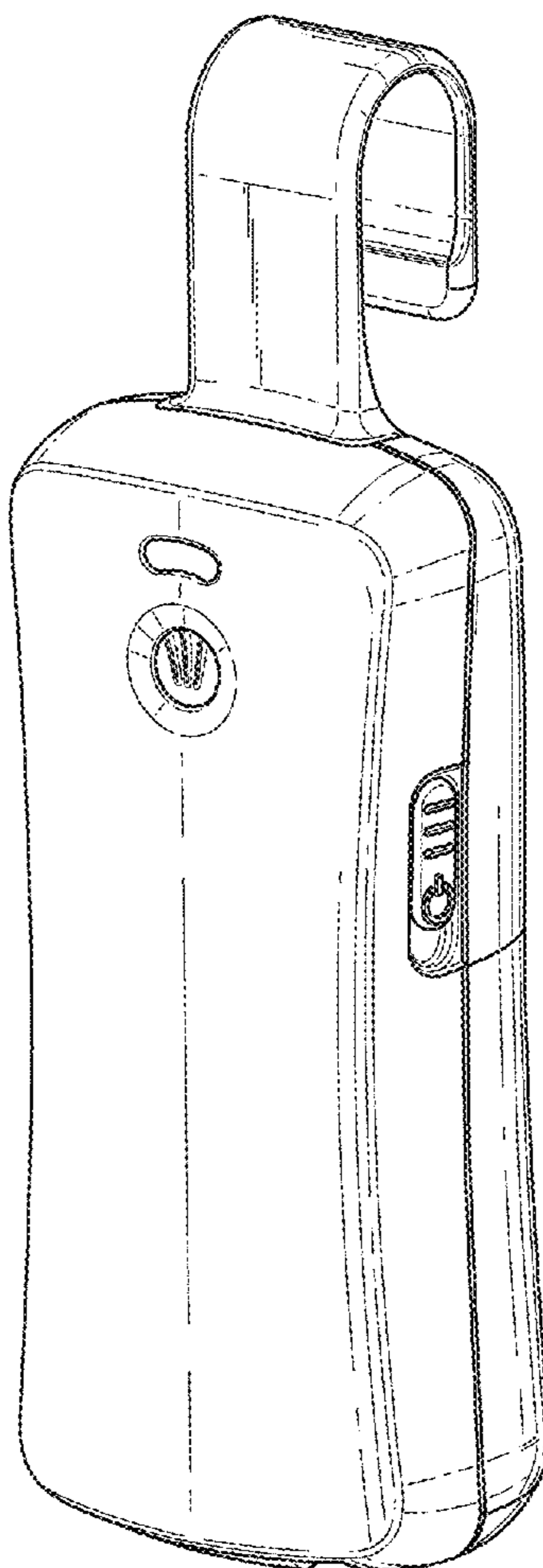
(57) **CLAIM**

The ornamental design for an air sanitizing device, as shown and described.

**DESCRIPTION**

FIG. 1 is a front perspective view of our air sanitizing device; FIG. 2 is a front elevation view thereof; FIG. 3 is a rear elevation view thereof; FIG. 4 is a right side elevation view thereof; FIG. 5 is a left side elevation view thereof; FIG. 6 is a top plan view thereof; and, FIG. 7 is a bottom plan view thereof.

**1 Claim, 3 Drawing Sheets**



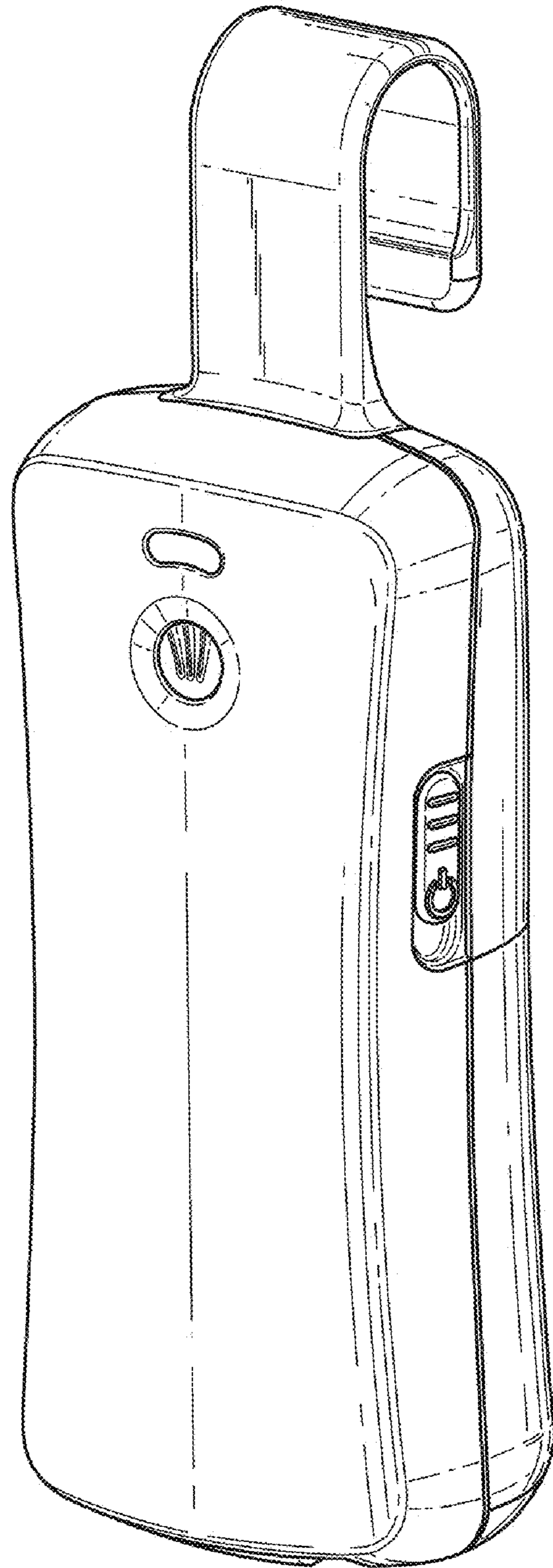


Fig. 1.

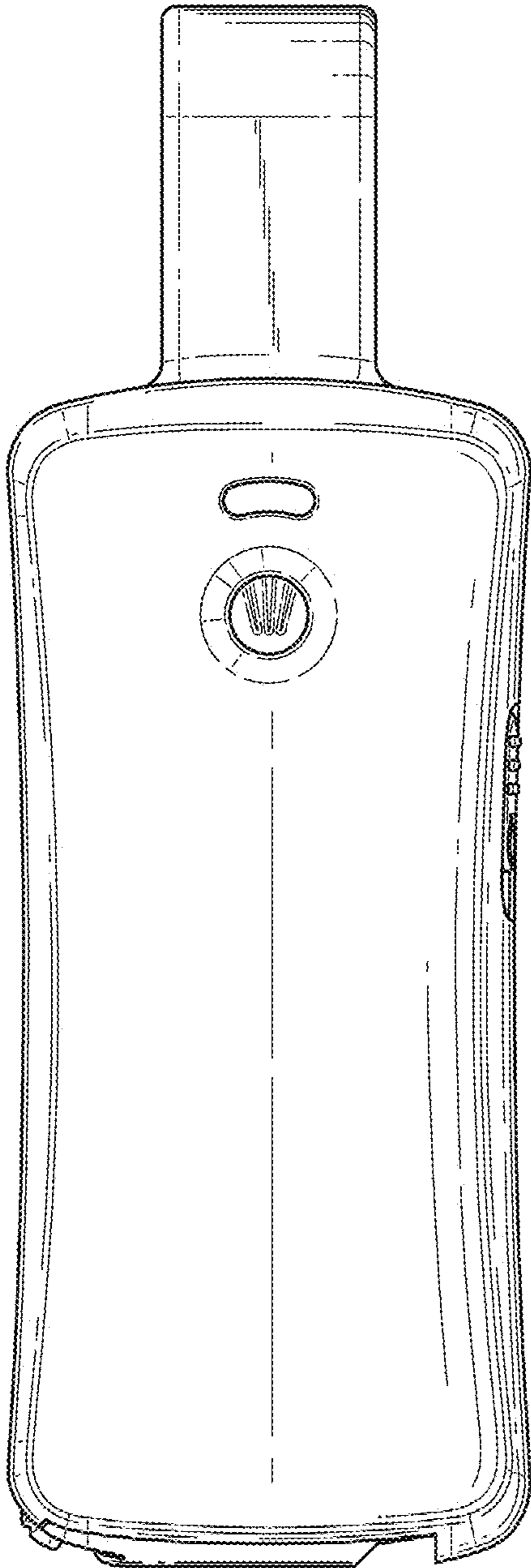


Fig.2.

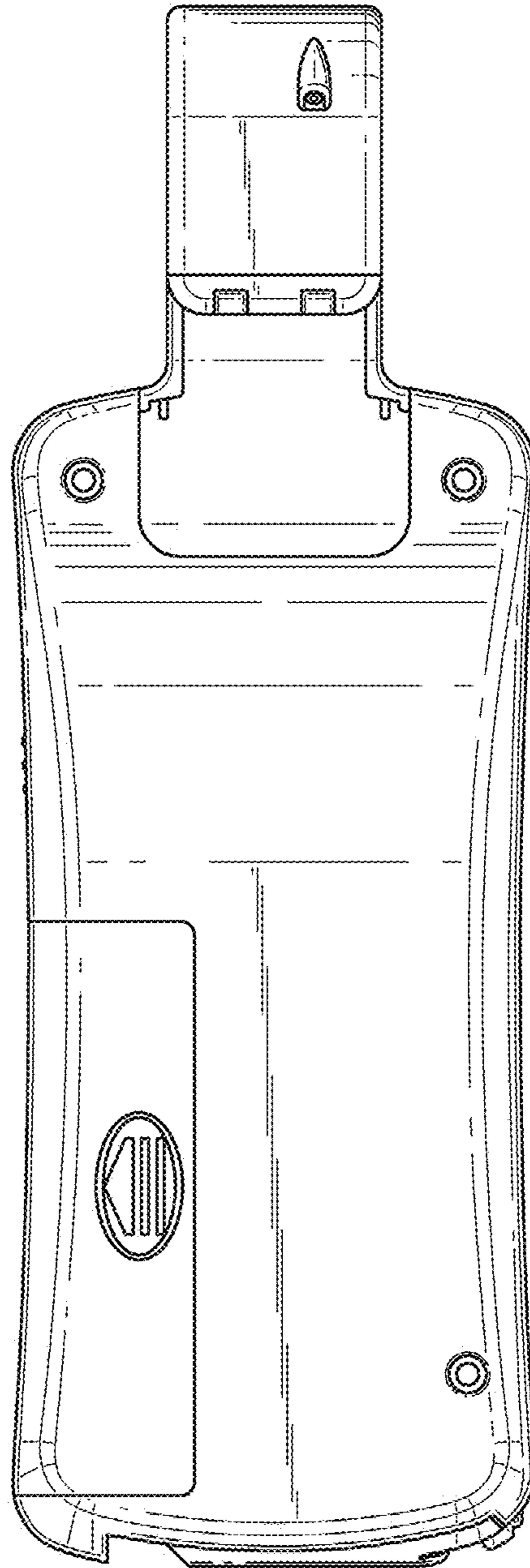


Fig.3.

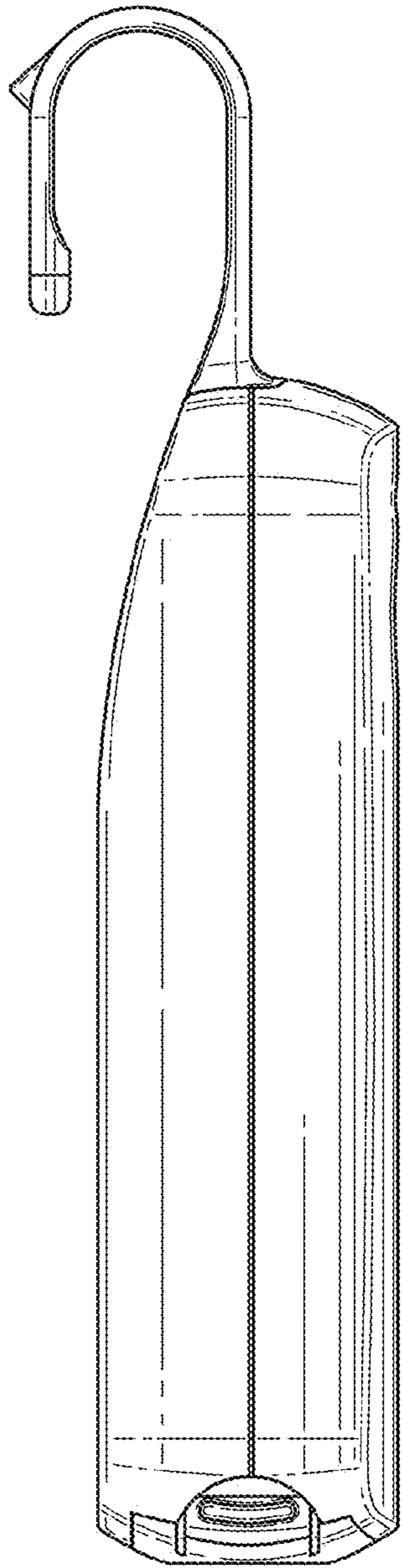


Fig.4.

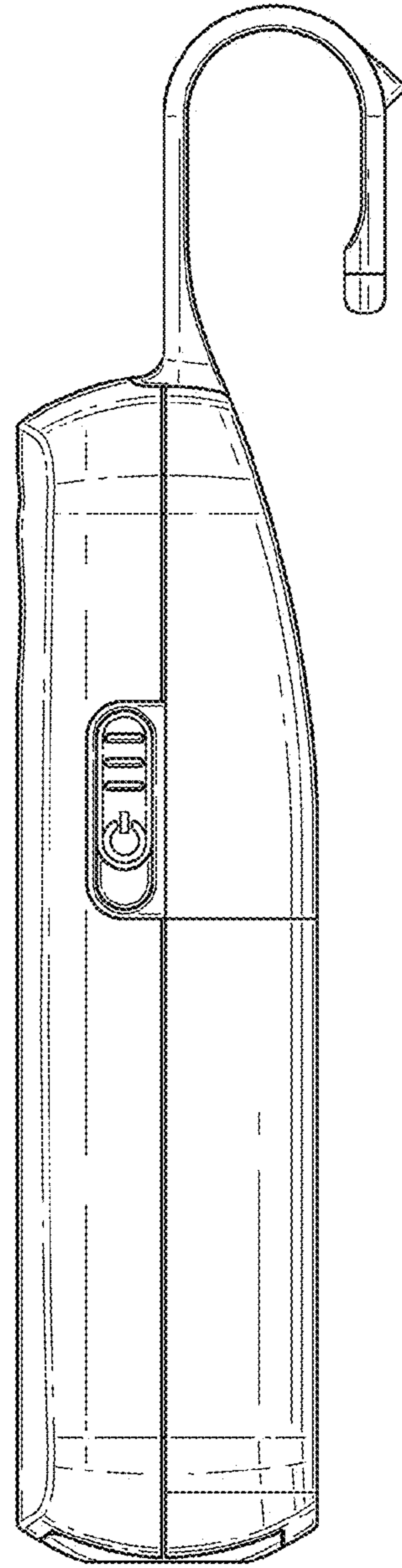


Fig.5.

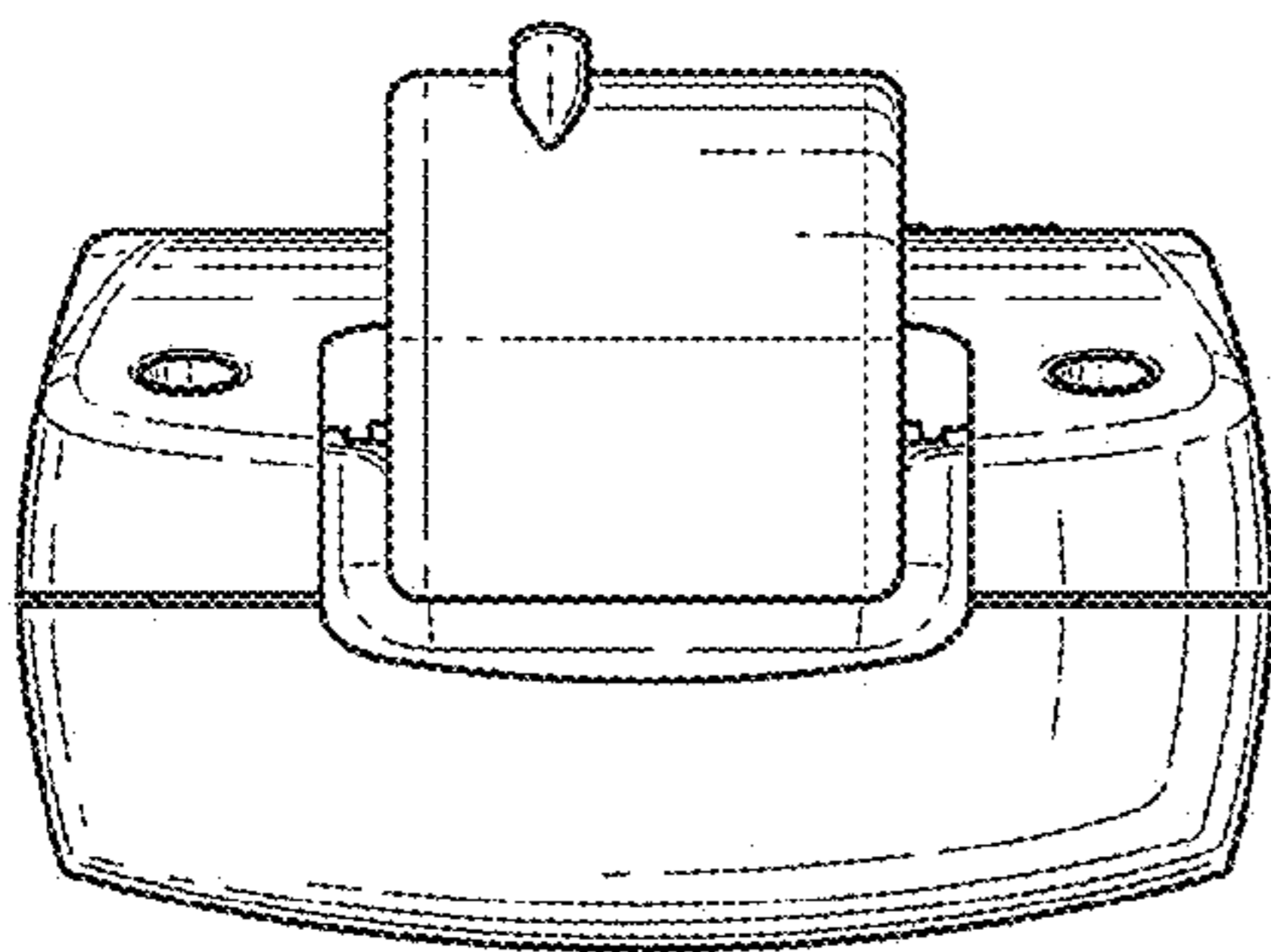


Fig.6.

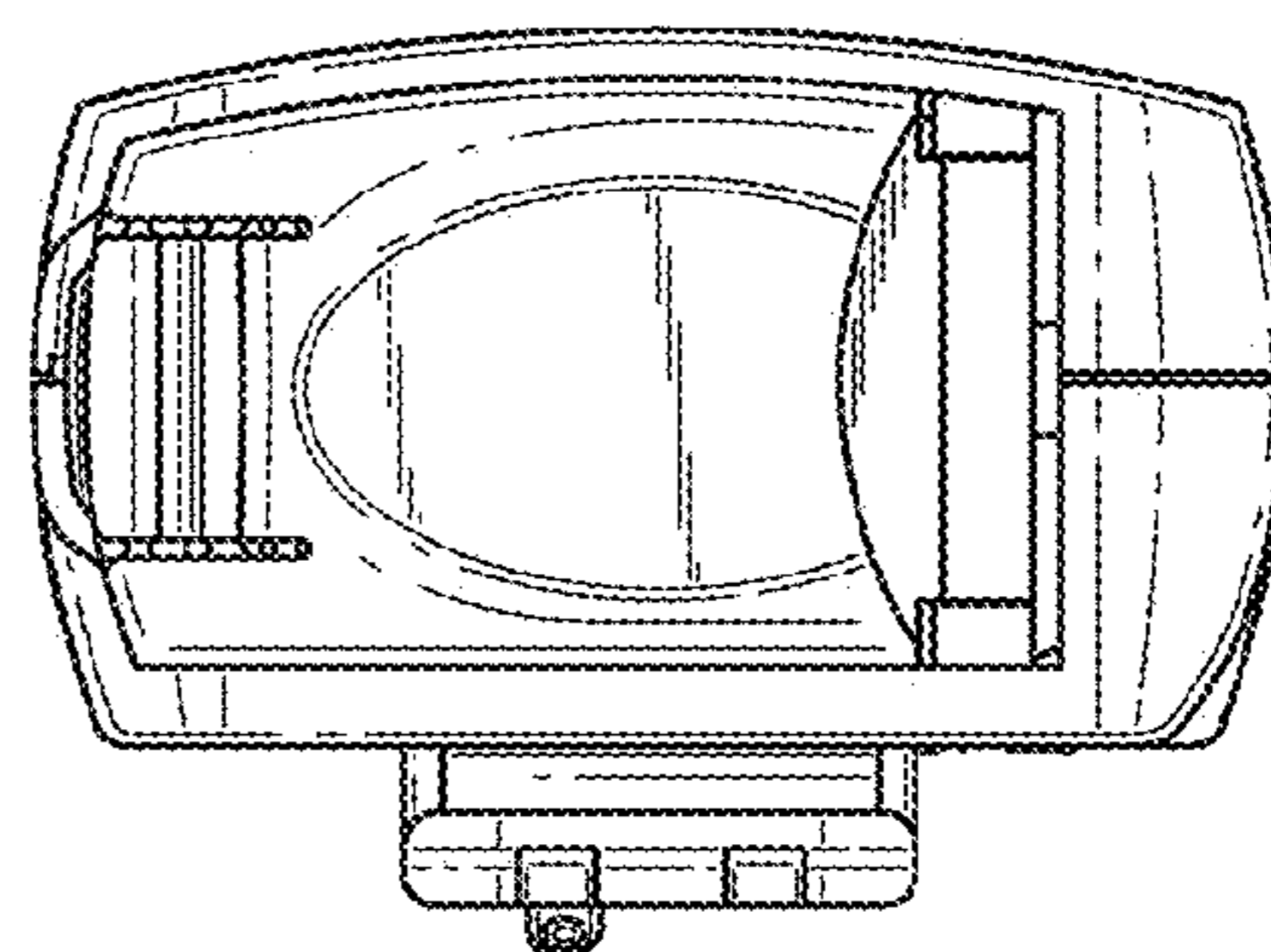


Fig.7.