



US00D653316S

(12) **United States Design Patent**  
**Beswick et al.**

(10) **Patent No.:** **US D653,316 S**

(45) **Date of Patent:** **\*\* Jan. 31, 2012**

(54) **RECESSED SHOWER SHELF**

(76) Inventors: **Scott J. Beswick**, Ferntree Gully (AU);  
**Annette Beswick**, Ferntree Gully (AU)

(\*\*) Term: **14 Years**

(21) Appl. No.: **29/388,641**

(22) Filed: **Mar. 31, 2011**

(51) **LOC (9) Cl.** ..... **23-02**

(52) **U.S. Cl.** ..... **D23/305**

(58) **Field of Classification Search** ..... D6/515,  
D6/553, 564, 569, 570, 574, 629, 462, 468,  
D6/567, 519, 478, 479; 108/28-29; 211/11,  
211/13.1, 42, 71.01, 86.01, 88.01, 88.03,  
211/90.01, 126.1, 133.5, 134, 153, 182; 248/235,  
248/309.1; 23/304, 305; 312/242  
See application file for complete search history.

(56) **References Cited**

**U.S. PATENT DOCUMENTS**

1,725,802	A	8/1929	Hoegger	
D160,024	S *	9/1950	Silberman	D6/570
3,022,602	A	2/1962	Turek et al.	
3,314,741	A *	4/1967	Litner	312/242
D223,576	S *	5/1972	Young	D23/305

4,300,248	A	11/1981	Dworkin	
5,242,064	A	9/1993	Martell	
D357,155	S *	4/1995	Staley	D6/569
D396,161	S *	7/1998	Coglin	D6/570
D451,589	S *	12/2001	Axelsson	D23/305
D497,275	S *	10/2004	Williams et al.	D6/570
D566,251	S *	4/2008	Bates	D23/305
D632,913	S *	2/2011	Szekely	D6/570

\* cited by examiner

*Primary Examiner* — Brian N Vinson

(57) **CLAIM**

The ornamental design for a recessed shower shelf, as shown and described.

**DESCRIPTION**

FIG. 1 is a front elevation view of a recessed shower shelf showing our new design;

FIG. 2 is a rear elevation view thereof;

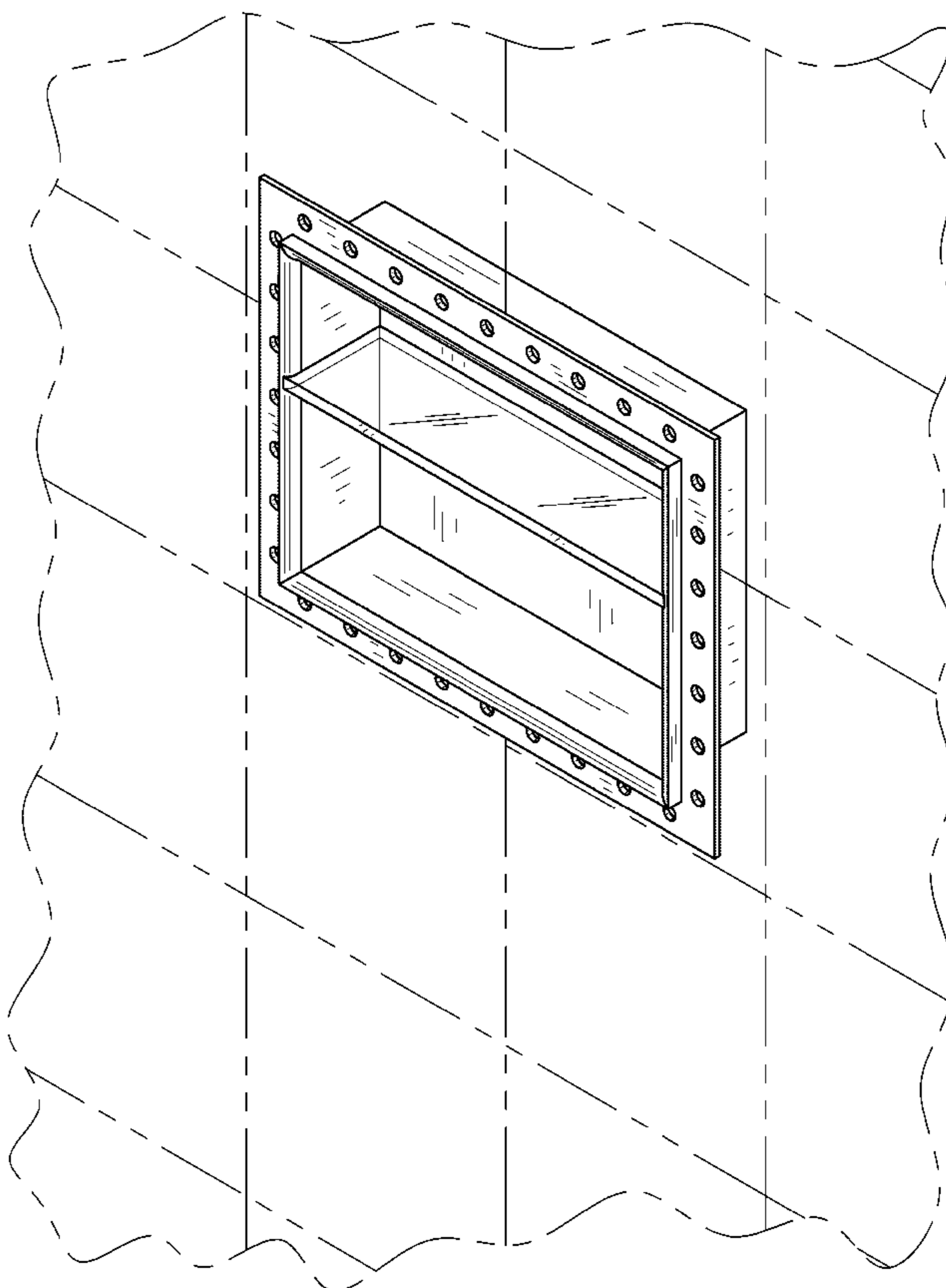
FIG. 3 is a right elevation view thereof, the opposite side being a mirror image of the shown;

FIG. 4 is a top plan view thereof, the opposite side being a mirror image of the shown; and,

FIG. 5 is an isometric view thereof.

The broken lines in the drawings depict a shower stall wall and form no part of the claimed design.

**1 Claim, 4 Drawing Sheets**



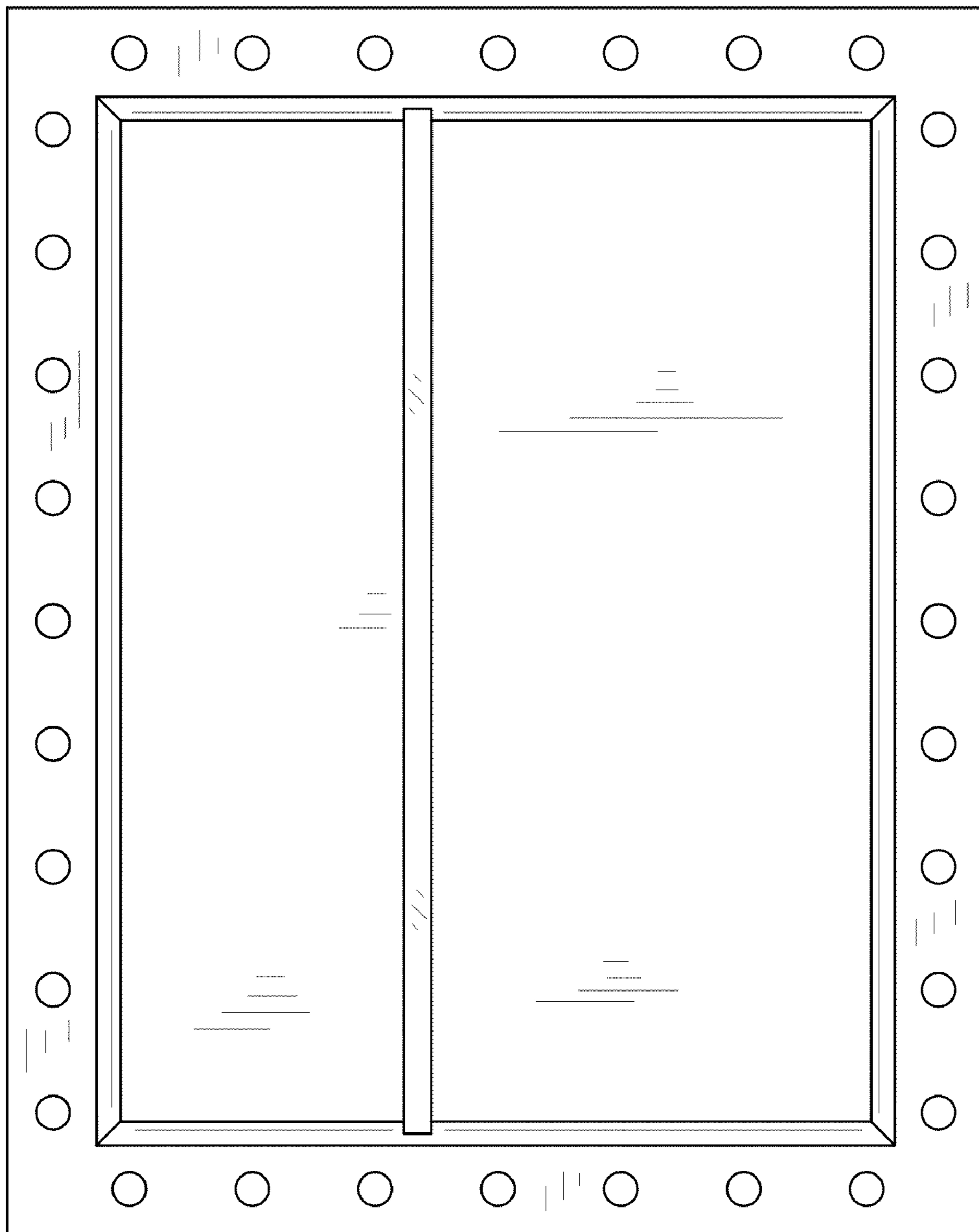


FIG. 1

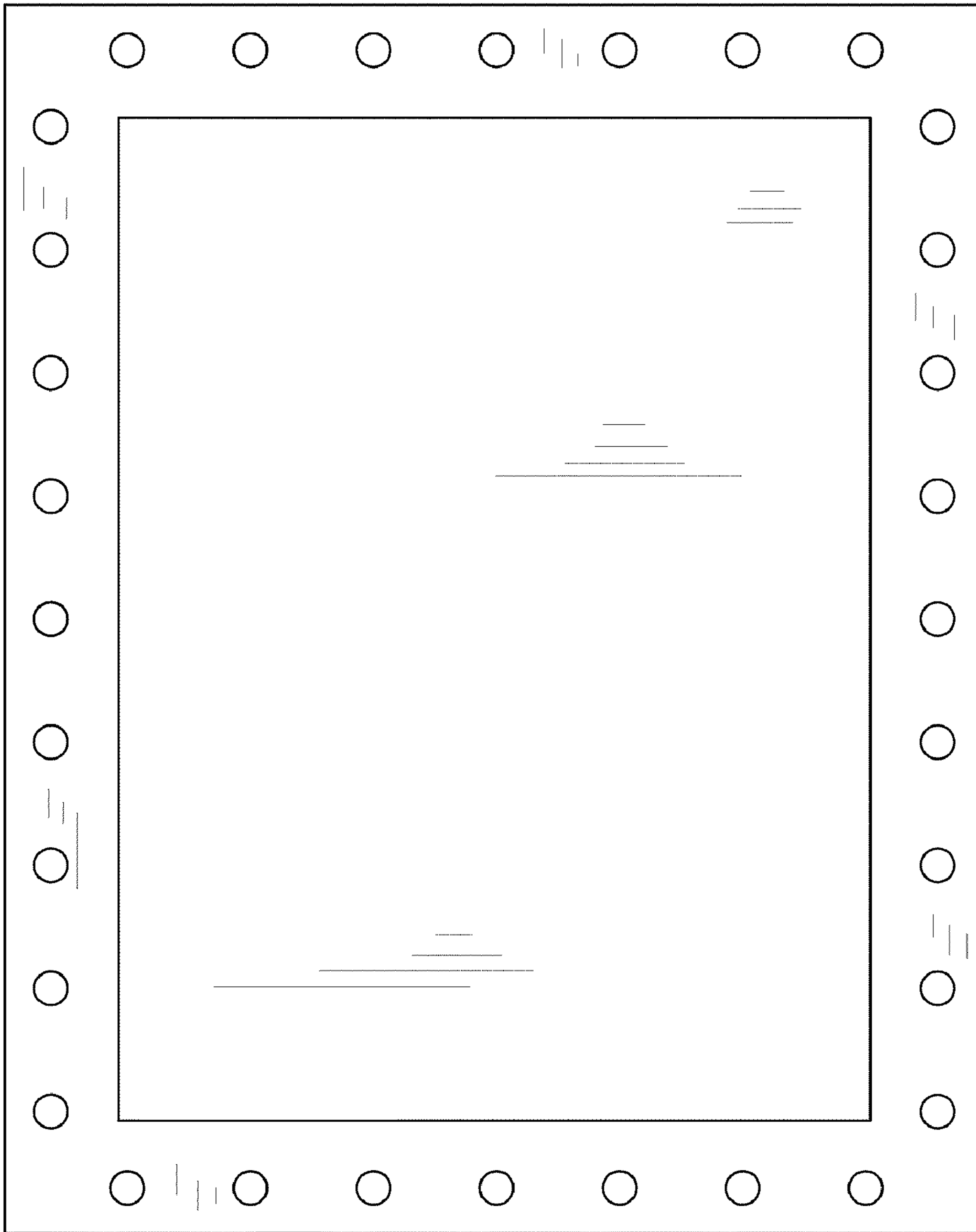


FIG. 2

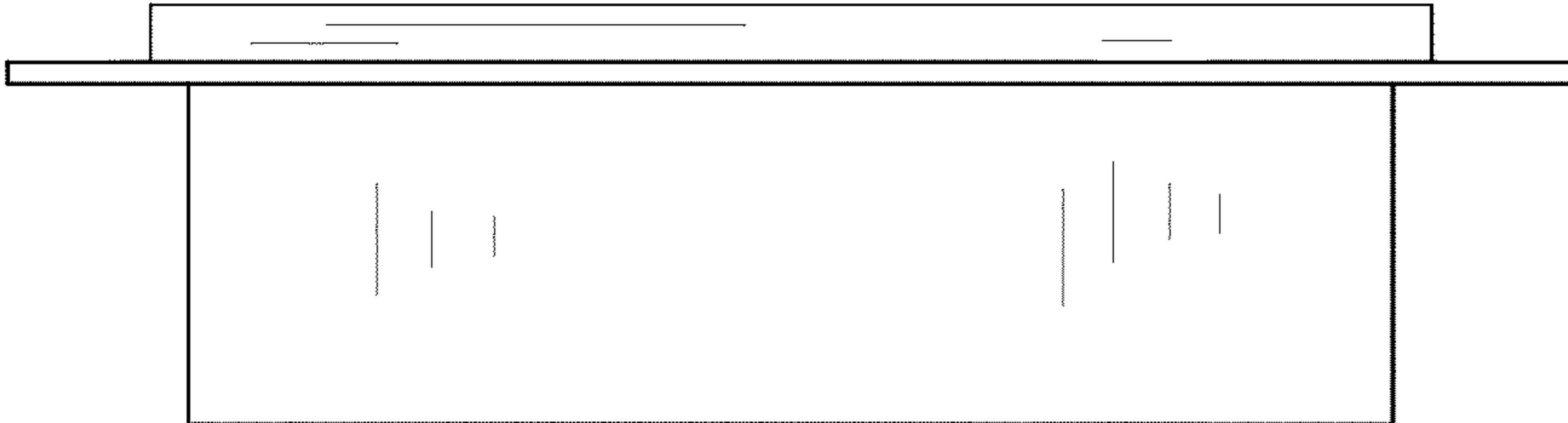


FIG. 3

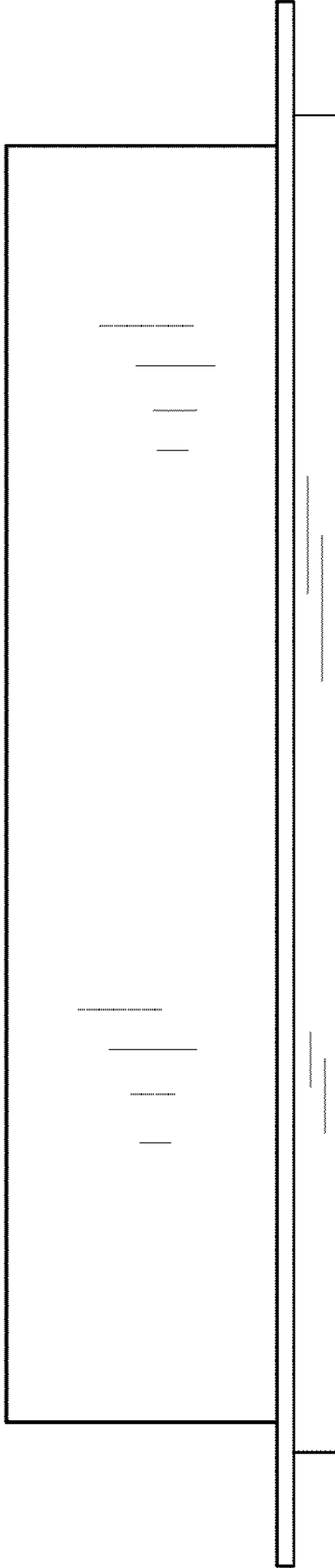


FIG. 4

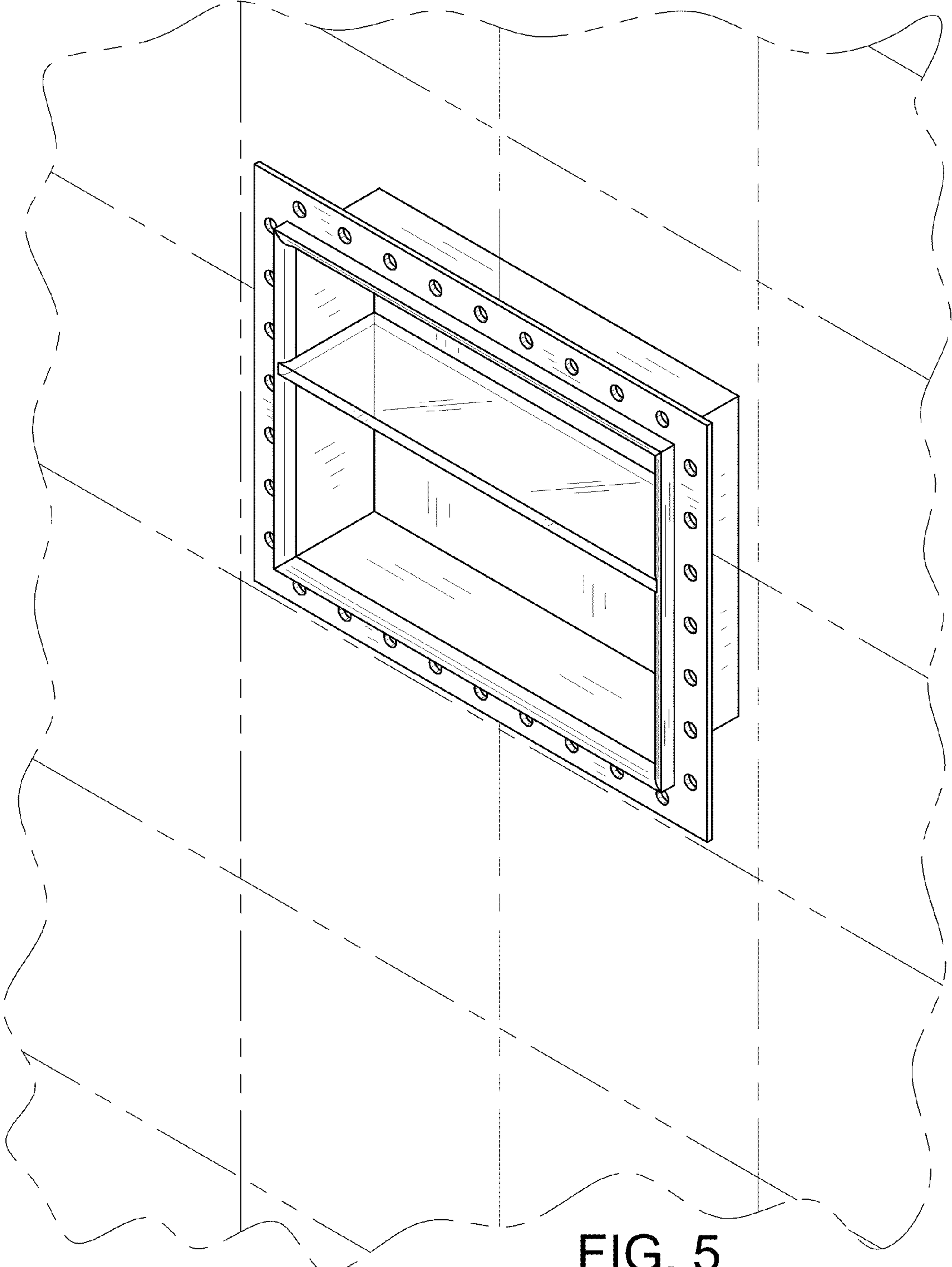


FIG. 5