



US00D653313S

(12) **United States Design Patent**
Kohler, Jr. et al.

(10) **Patent No.:** **US D653,313 S**
(45) **Date of Patent:** **** Jan. 31, 2012**

(54) **PLUMBING FIXTURE**

(75) Inventors: **Herbert V. Kohler, Jr.**, Kohler, WI (US);
Mary Reid, Sheboygan, WI (US);
Roque M. Corpuz, Jr., Sheboygan, WI
(US)

(73) Assignee: **Kohler Co.**, Kohler, WI (US)

(**) Term: **14 Years**

(21) Appl. No.: **29/378,481**

(22) Filed: **Nov. 4, 2010**

(51) **LOC (9) Cl.** **23-02**

(52) **U.S. Cl.** **D23/293.1**

(58) **Field of Classification Search** D23/284-28,
D23/291, 292, 289, 293.1; 4/619
See application file for complete search history.

(56) **References Cited**

OTHER PUBLICATIONS

Jacob Delafon. "Ronde" lavatory. Jacob Delafon catalog.
Bissonnet. "Form countertop ceramic sink with overflow".
HomePortfolio.com online catalog. Copyright 1997-2010
HomePortfolio Inc.

Primary Examiner — Robert Delehanty

(74) *Attorney, Agent, or Firm* — Foley & Lardner LLP

(57) **CLAIM**

The ornamental design for a plumbing fixture, as shown and described.

DESCRIPTION

FIG. 1 is a right, top, front perspective view of a plumbing fixture embodying our new design;
FIG. 2 is a top plan view thereof;
FIG. 3 is a front elevational view thereof;
FIG. 4 is a right side elevational view thereof, the left side elevational view thereof being a mirror image of the right side shown;
FIG. 5 is a rear elevational view thereof;
FIG. 6 is a bottom plan view thereof;
FIG. 7 is a right, top, front perspective view of a plumbing fixture according to another embodiment of our new design;
FIG. 8 is a top plan view thereof;
FIG. 9 is a front elevational view thereof;
FIG. 10 is a right side elevational view thereof, the left side elevational view thereof being a mirror image of the right side shown;
FIG. 11 is a rear elevational view thereof; and,
FIG. 12 is a bottom plan view thereof.
The broken line representations in the figures are for the purpose of illustration only, and form no part of the claimed design.

1 Claim, 6 Drawing Sheets

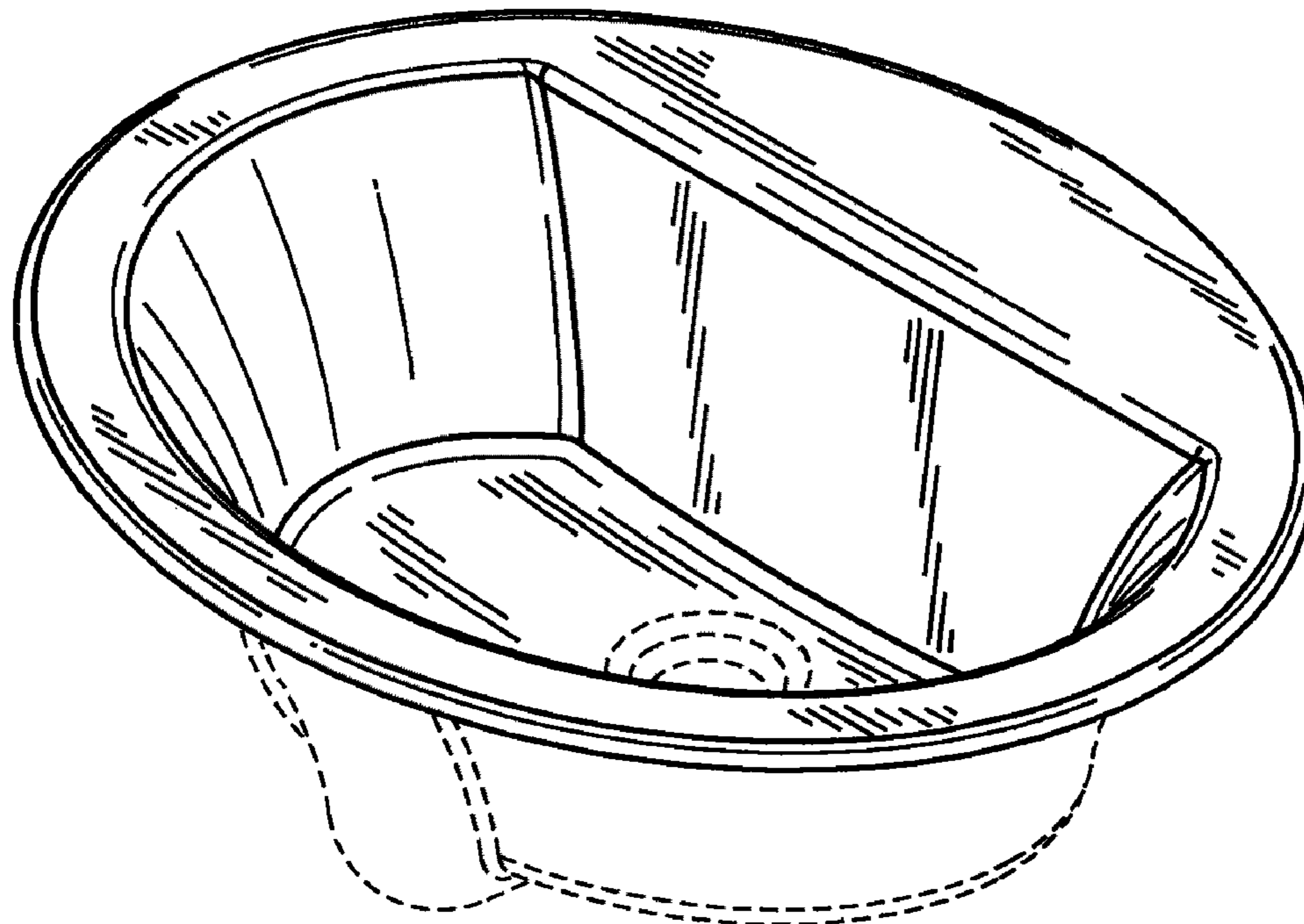


FIG. 1

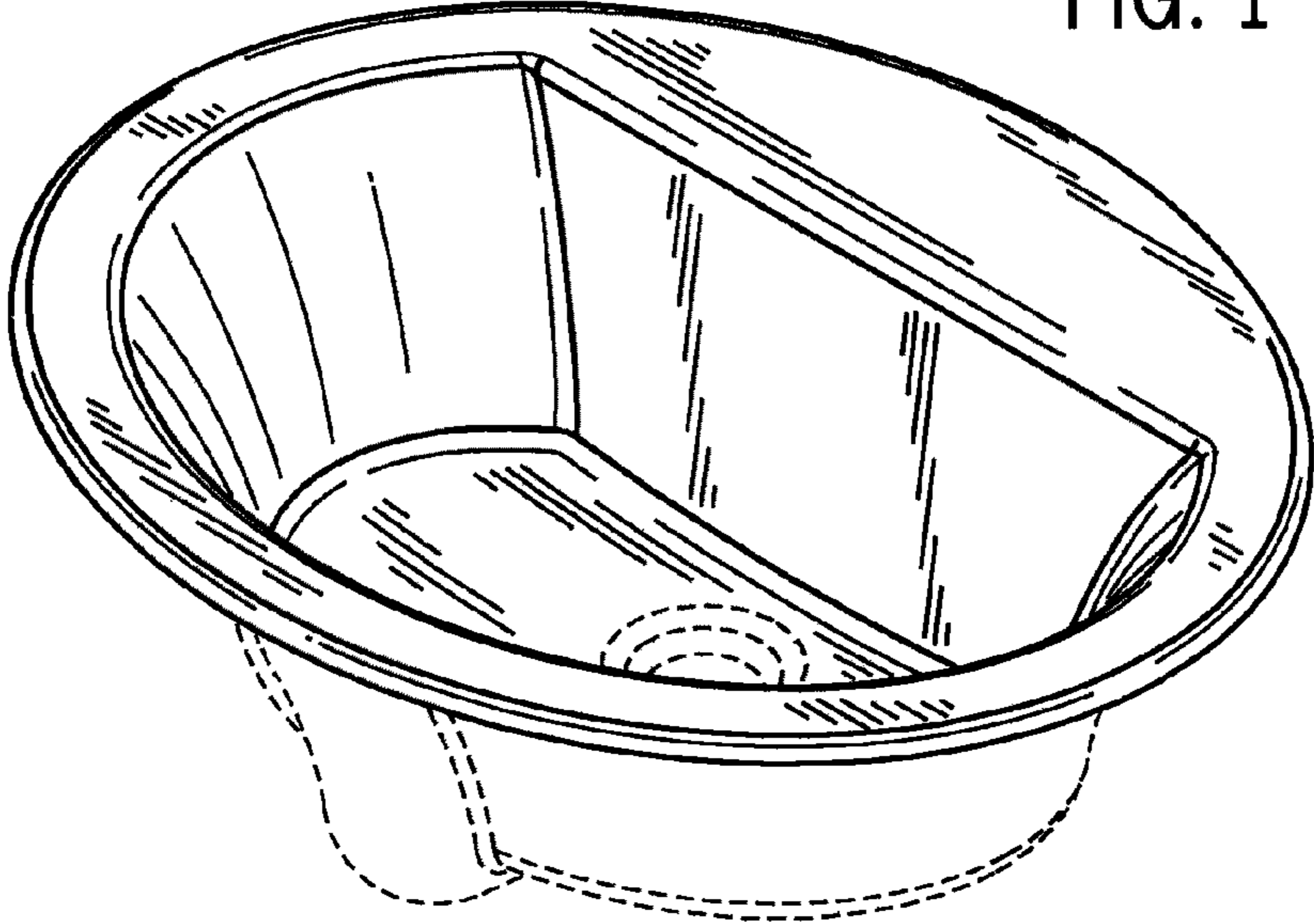


FIG. 2

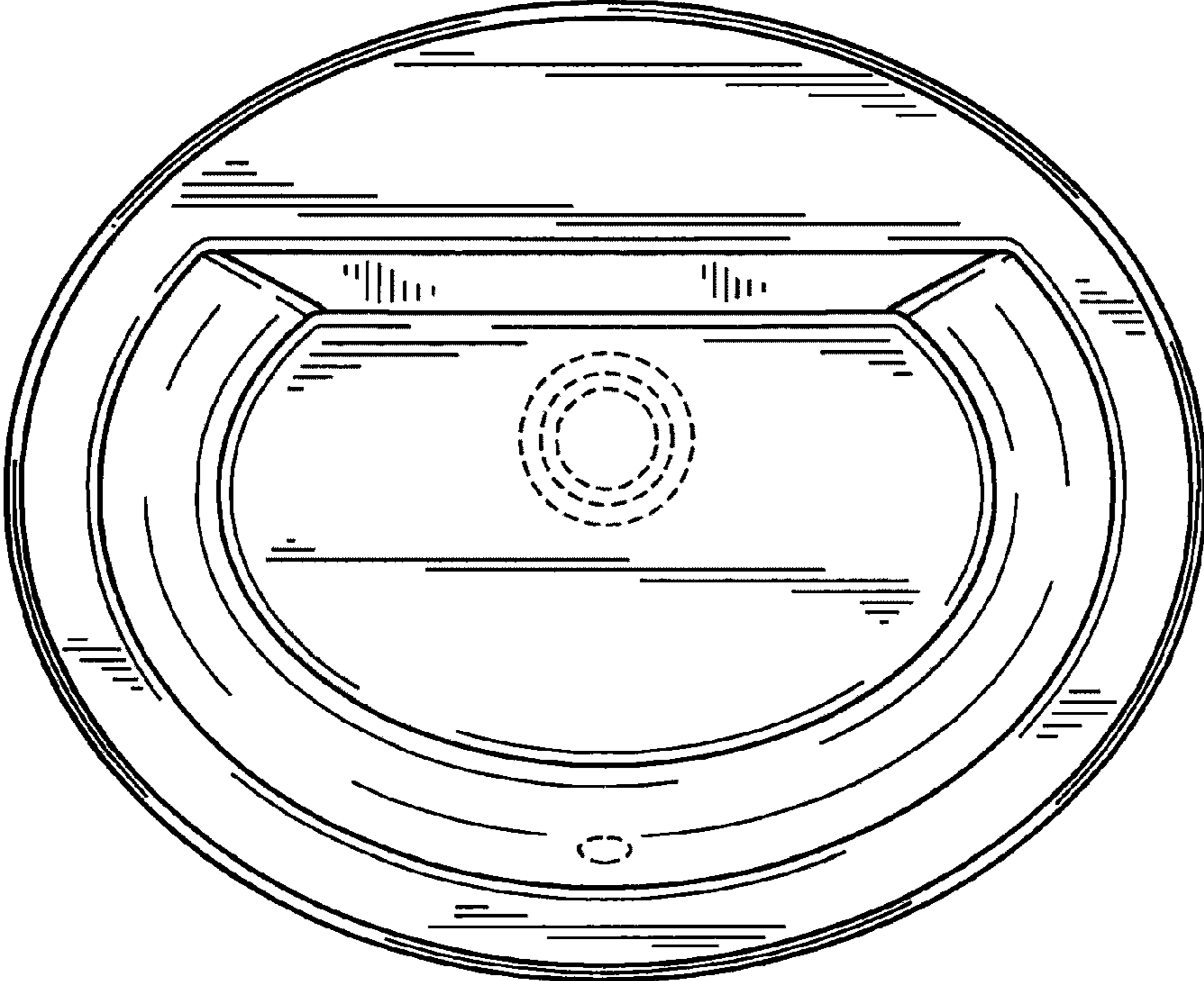


FIG. 3

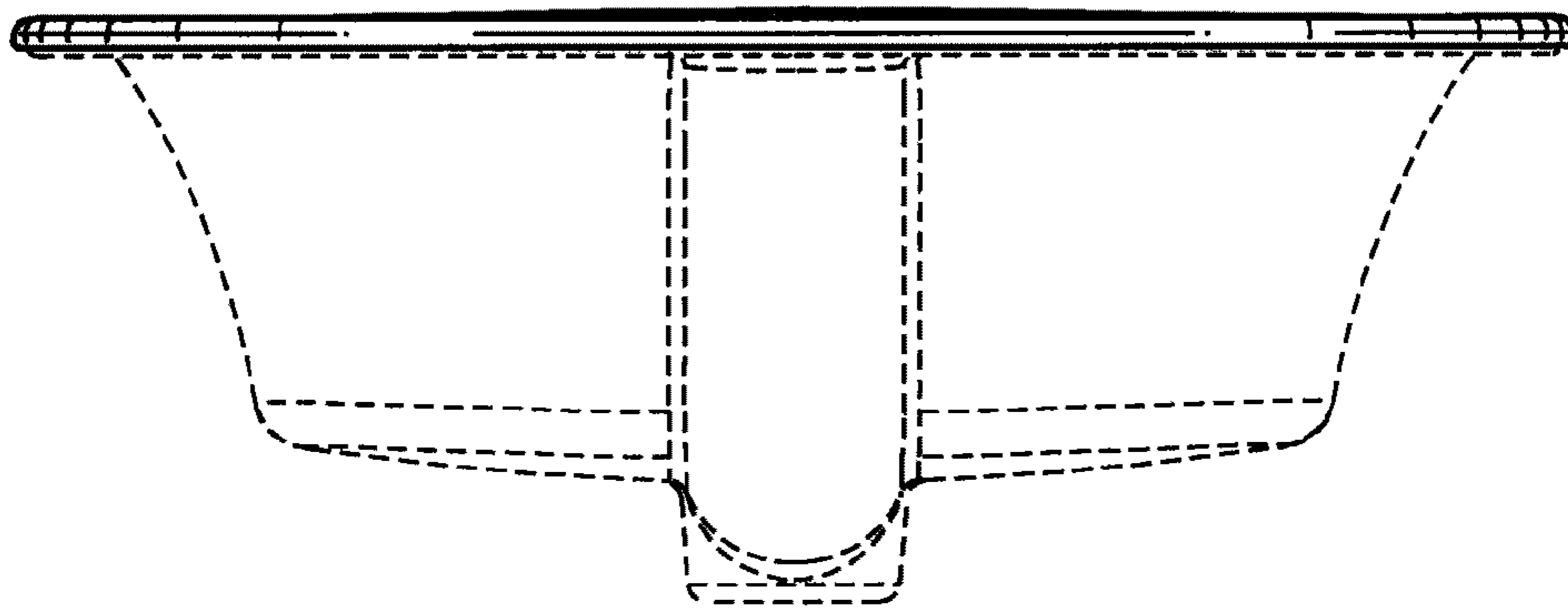


FIG. 4

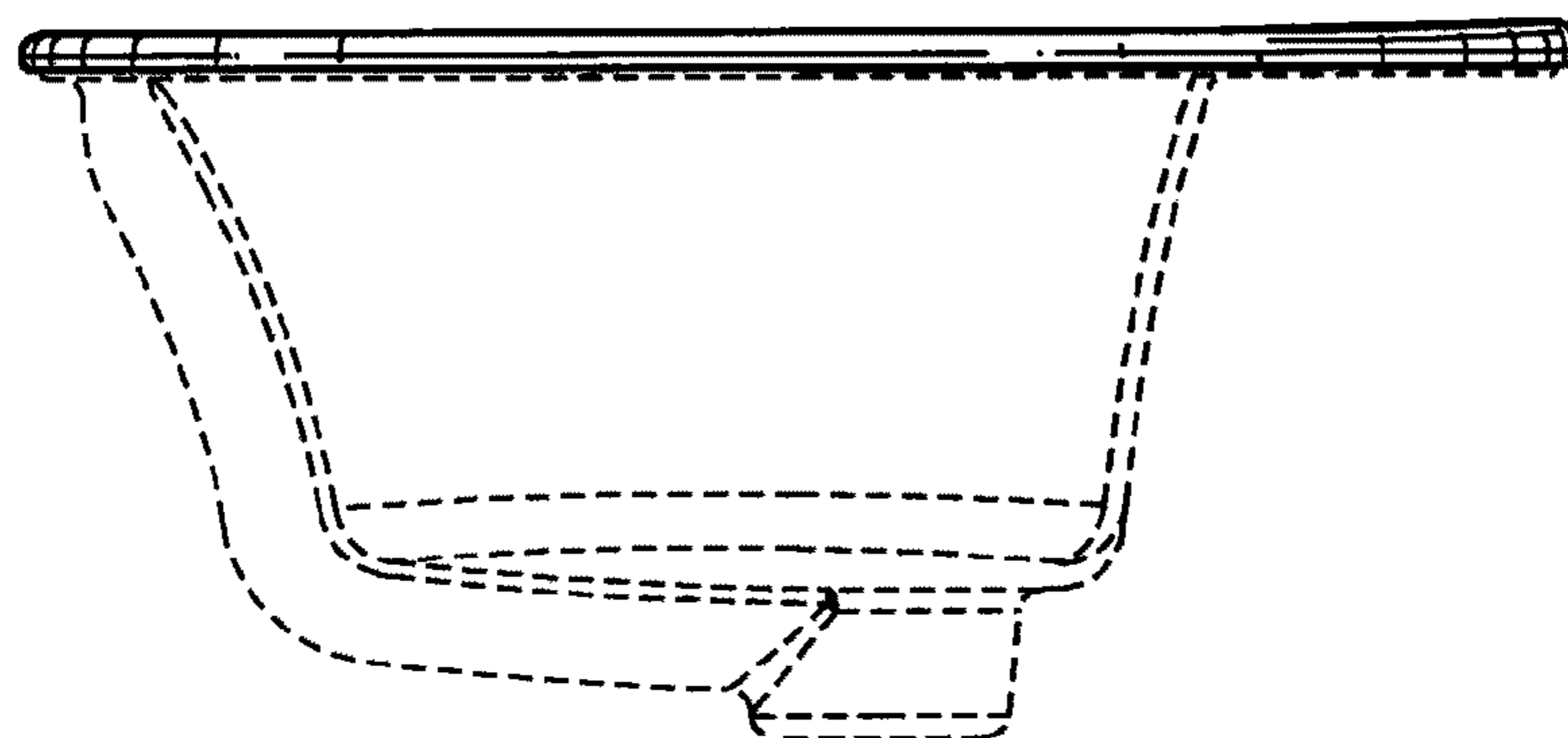


FIG. 5

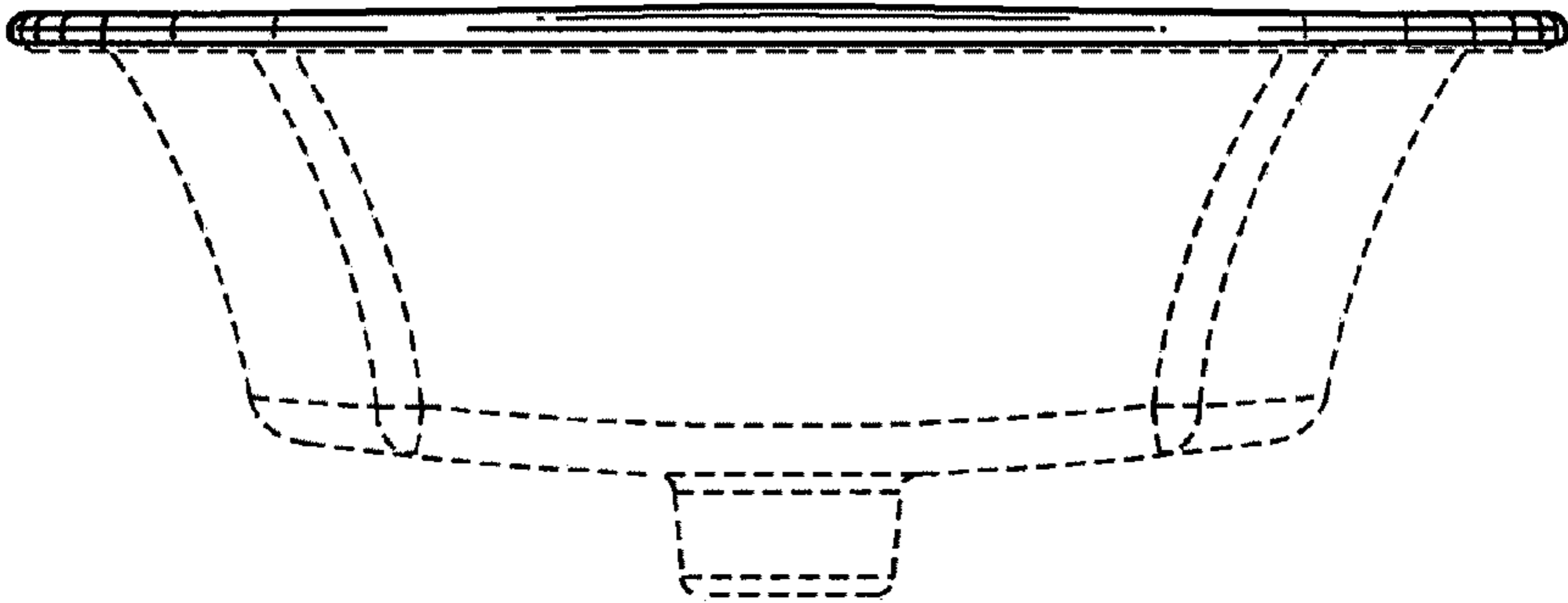
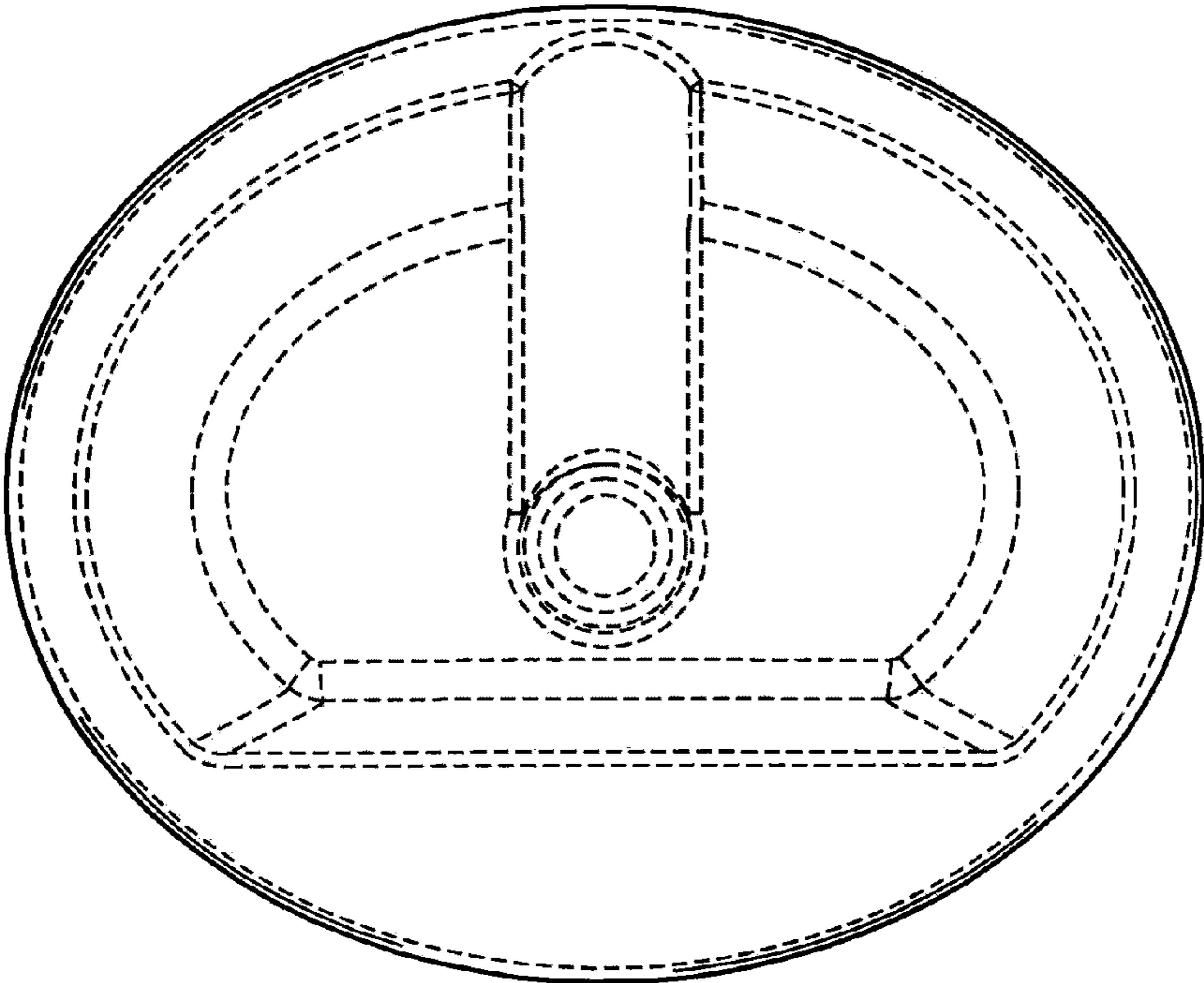


FIG. 6



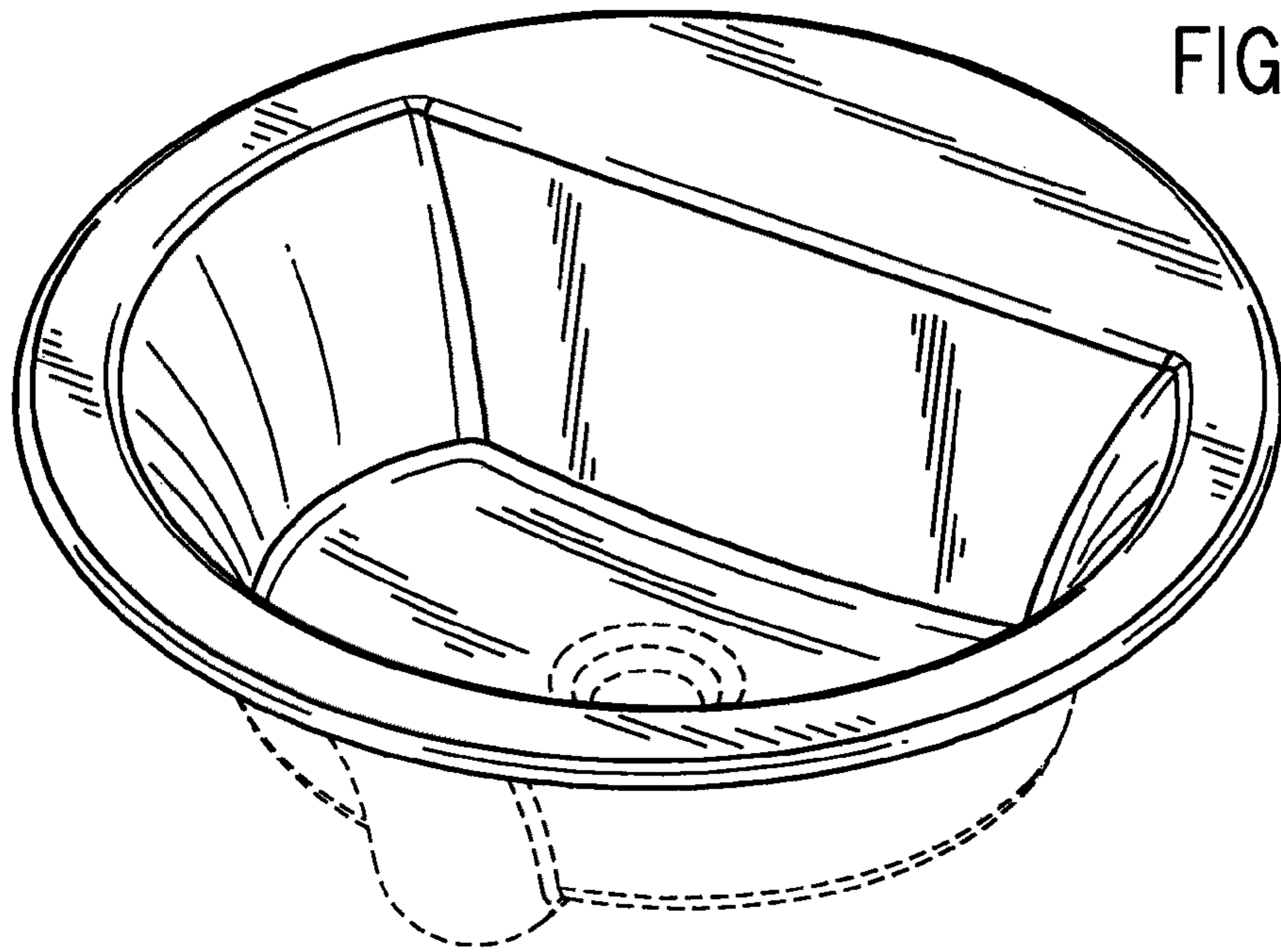


FIG. 7

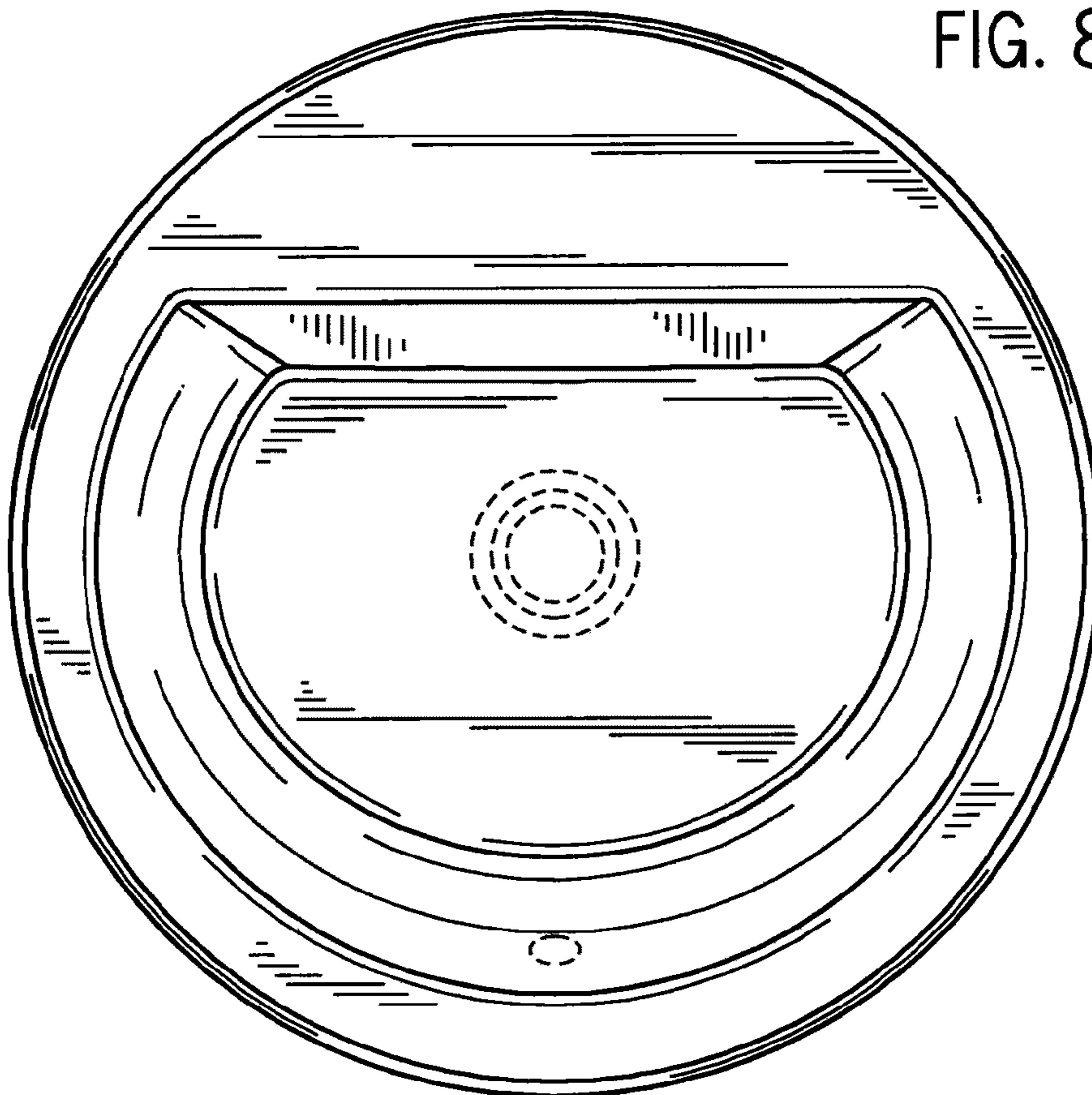


FIG. 8

FIG. 9

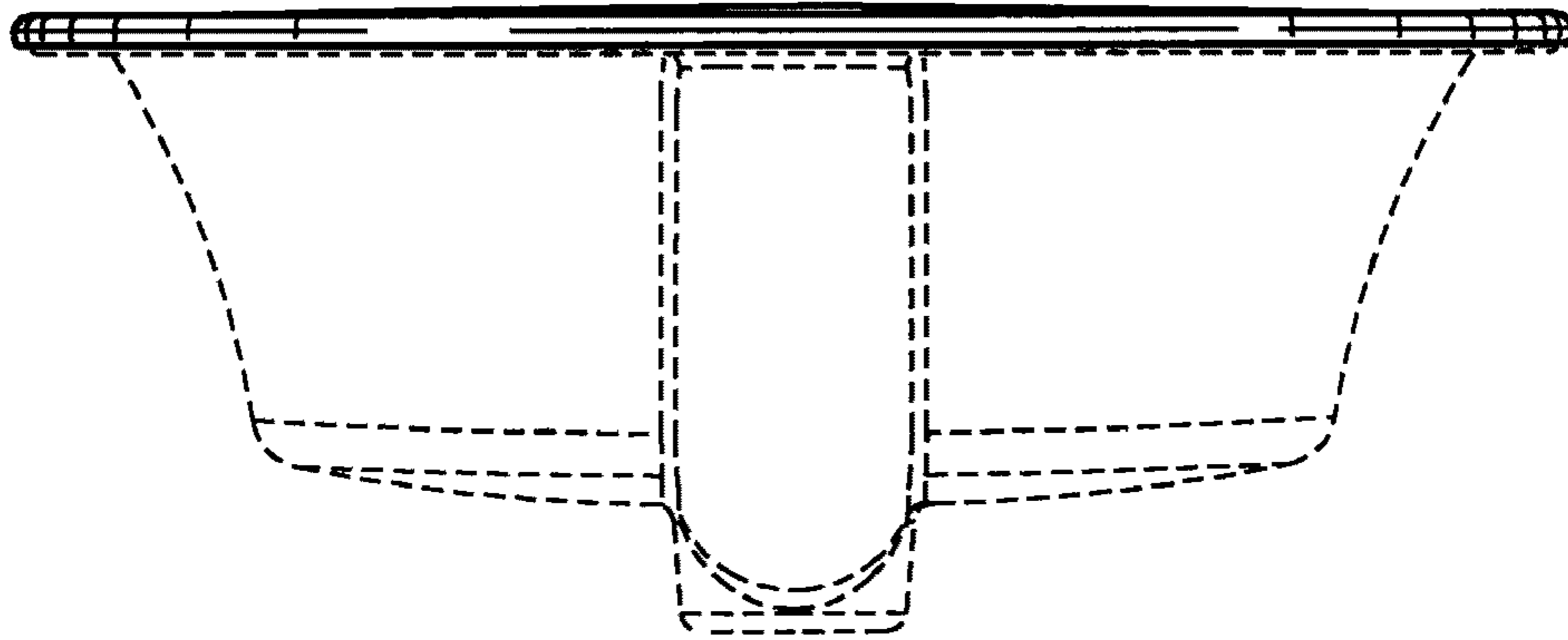


FIG. 10

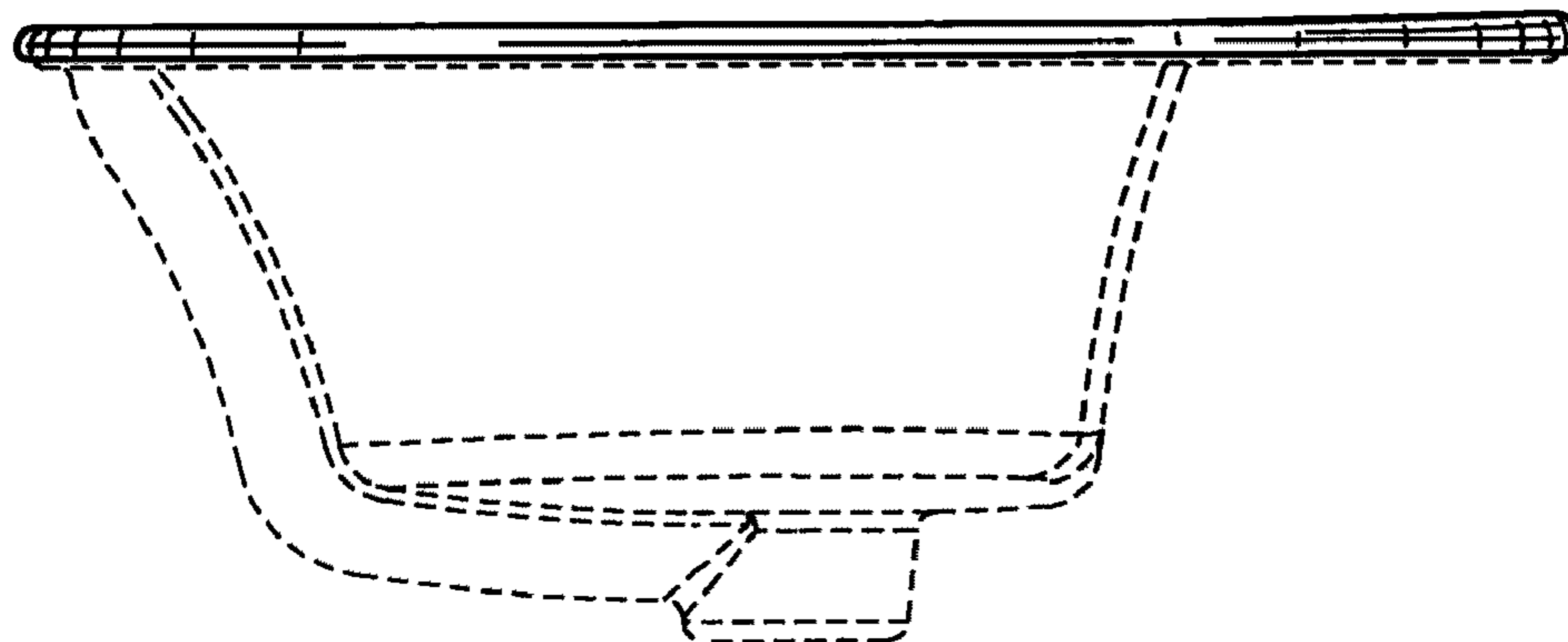


FIG. 11

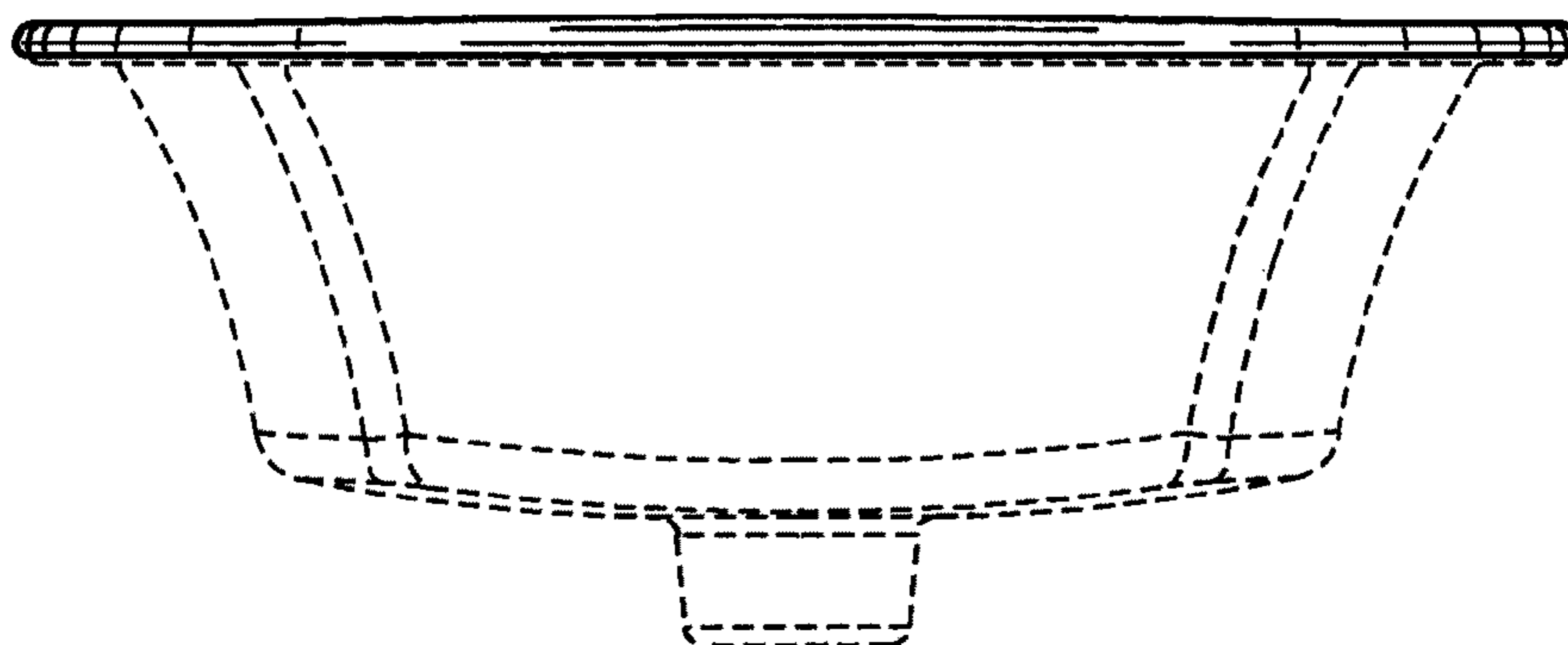


FIG. 12

