



US00D653311S

(12) **United States Design Patent**
Lechuga

(10) **Patent No.:** **US D653,311 S**

(45) **Date of Patent:** **** Jan. 31, 2012**

(54) **PROTECTIVE PIPE COVER**

(74) *Attorney, Agent, or Firm* — Charles P. Boukus, Jr.

(76) Inventor: **Gabriel V. Lechuga**, Rancho Mirage,
CA (US)

(57) **CLAIM**

The ornamental design for a protective pipe cover, as shown and described.

(**) Term: **14 Years**

DESCRIPTION

(21) Appl. No.: **29/356,062**

(22) Filed: **Feb. 19, 2010**

(51) **LOC (9) Cl.** **23-01**

(52) **U.S. Cl.** **D23/266**

(58) **Field of Classification Search** D23/259–269;
137/375; 138/155–158; 285/47
See application file for complete search history.

FIG. 1 is an elevational view of a P-trap pipe protective cover of the present invention;

FIG. 2 is a fragmentary vertical sectional view taken along line 2-2 of FIG. 1;

FIG. 3 is a right end elevational view of the protective cover of FIG. 1;

FIG. 4 is a left end elevational view of the protective cover of FIG. 1;

FIG. 5 is a top plan view of the protective cover of FIG. 1;

FIG. 6 is a bottom plan view of the protective cover of FIG. 1;

FIG. 7 is an elevational view of the protective cover of FIG. 1 and showing the presence of fastening buttons along openable margins in the cover;

FIG. 8 is an enlarged sectional view taken along line 8-8 of FIG. 7;

FIG. 9 is a right end elevational view of the protective cover of FIG. 7;

FIG. 10 is a left end elevational view of the protective cover of FIG. 7;

FIG. 11 is a top plan view of the protective cover of FIG. 7; and,

FIG. 12 is a bottom plan view of the protective cover of FIG. 7.

The broken line showing is included for the purpose of illustrating environment and forms no part of the claimed design.

(56) **References Cited**

U.S. PATENT DOCUMENTS

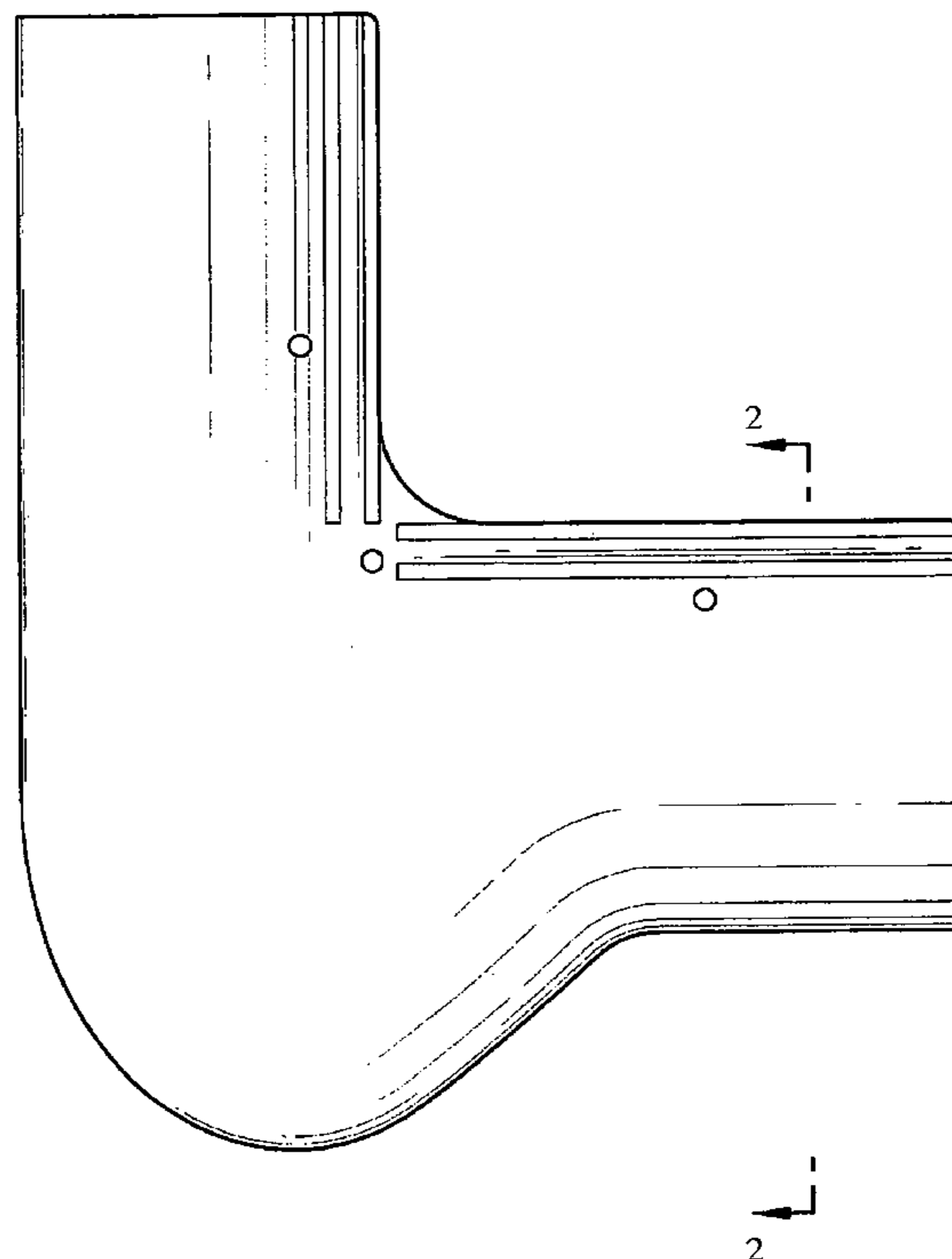
3,153,546	A *	10/1964	Dunn	285/13
4,556,082	A *	12/1985	Riley et al.	137/375
5,055,334	A *	10/1991	Lechuga	428/99
RE34,832	E *	1/1995	Lechuga	428/99
D357,061	S *	4/1995	Gifford	D23/263
5,564,463	A *	10/1996	Helmsderfer	137/375
5,586,568	A *	12/1996	Helmsderfer	137/15.08
5,915,413	A *	6/1999	Helmsderfer	137/375
6,012,480	A *	1/2000	Helmsderfer	137/375
D487,306	S *	3/2004	Sasano et al.	D23/266
6,739,353	B2 *	5/2004	Lechuga	137/375
7,032,615	B2 *	4/2006	Trueb et al.	137/375
7,100,633	B2 *	9/2006	Lechuga	137/375

* cited by examiner

Primary Examiner — T. Chase Nelson

Assistant Examiner — Eric Goodman

1 Claim, 8 Drawing Sheets



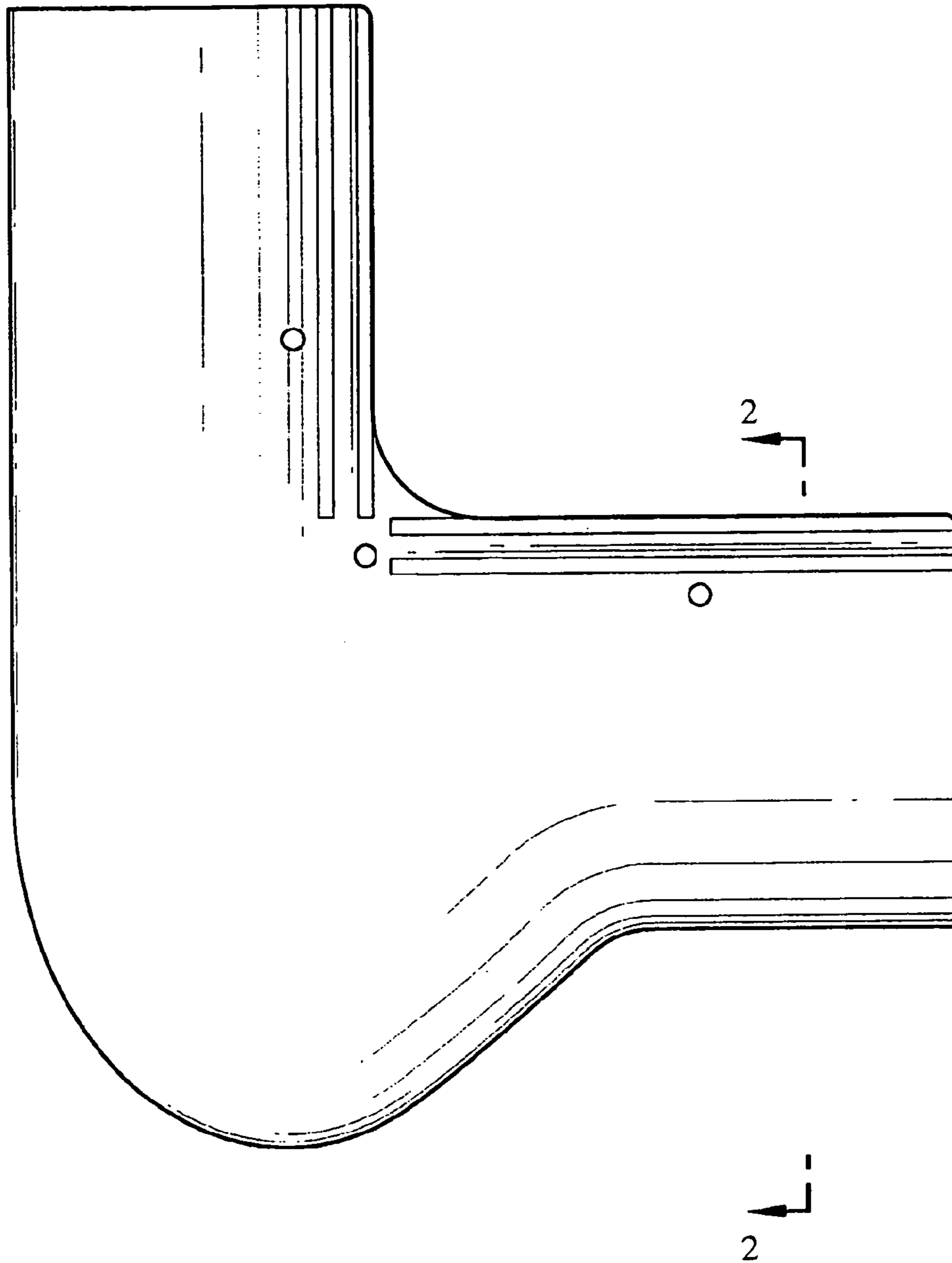


FIG. 1

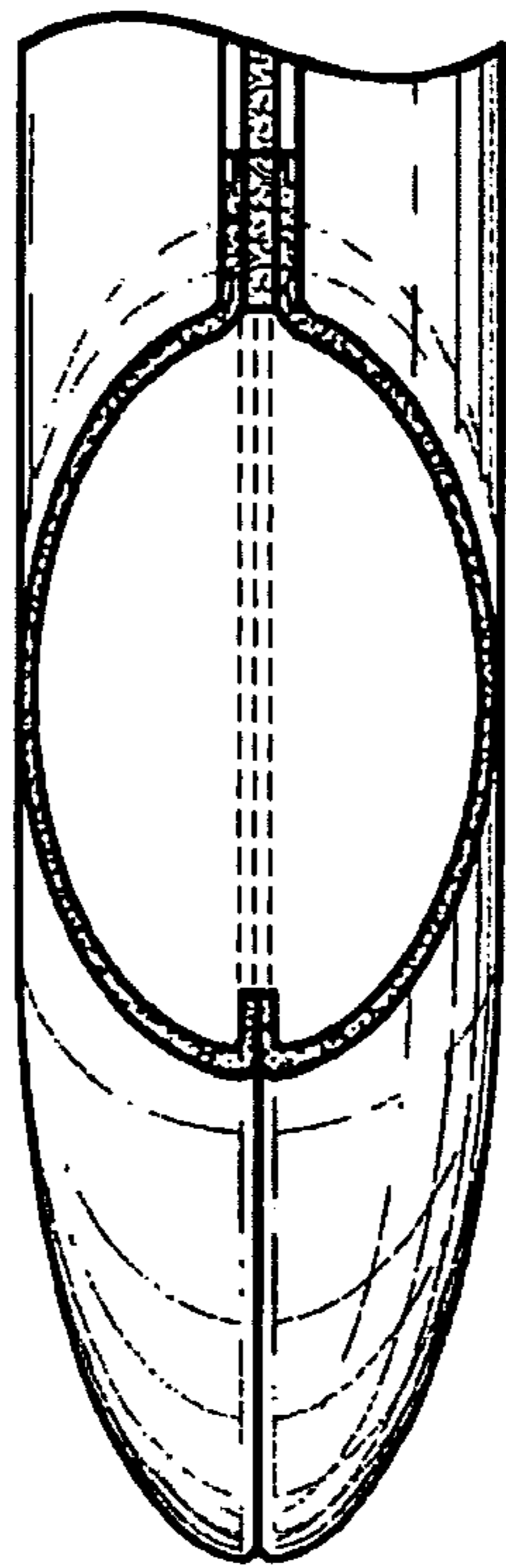


FIG. 2

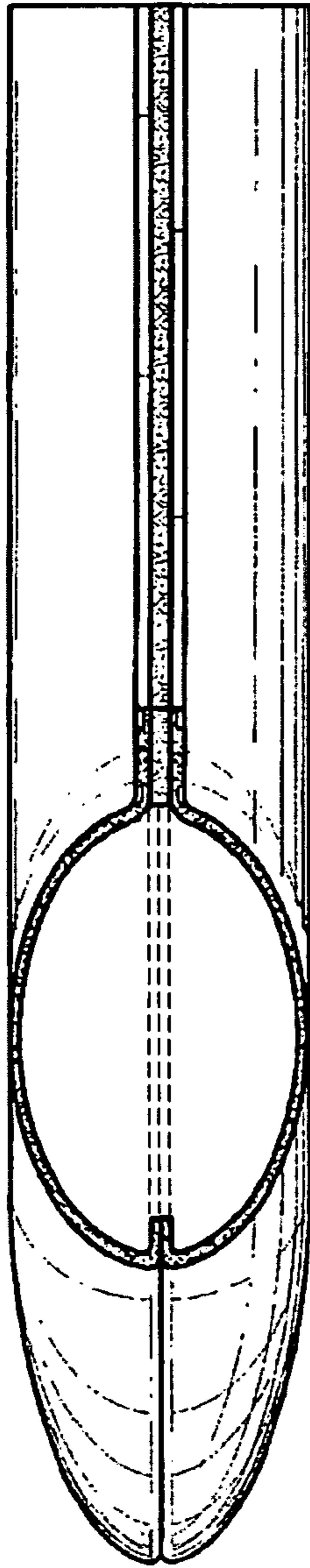


FIG. 3

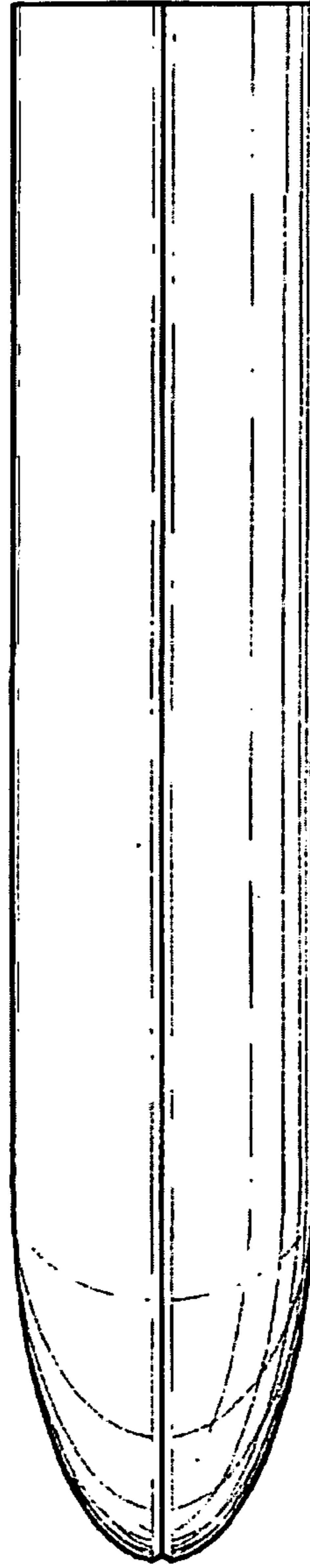


FIG. 4

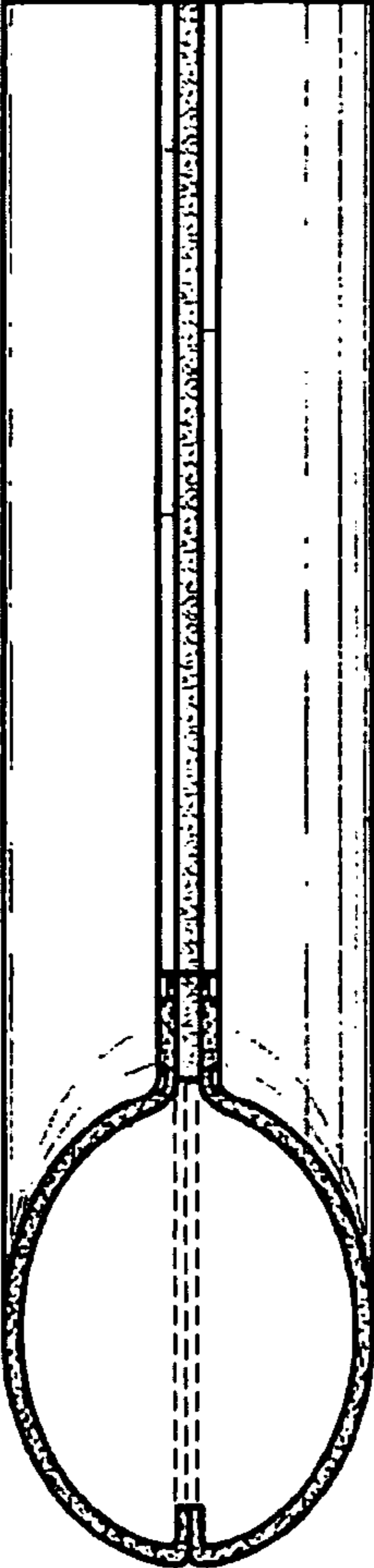


FIG. 5

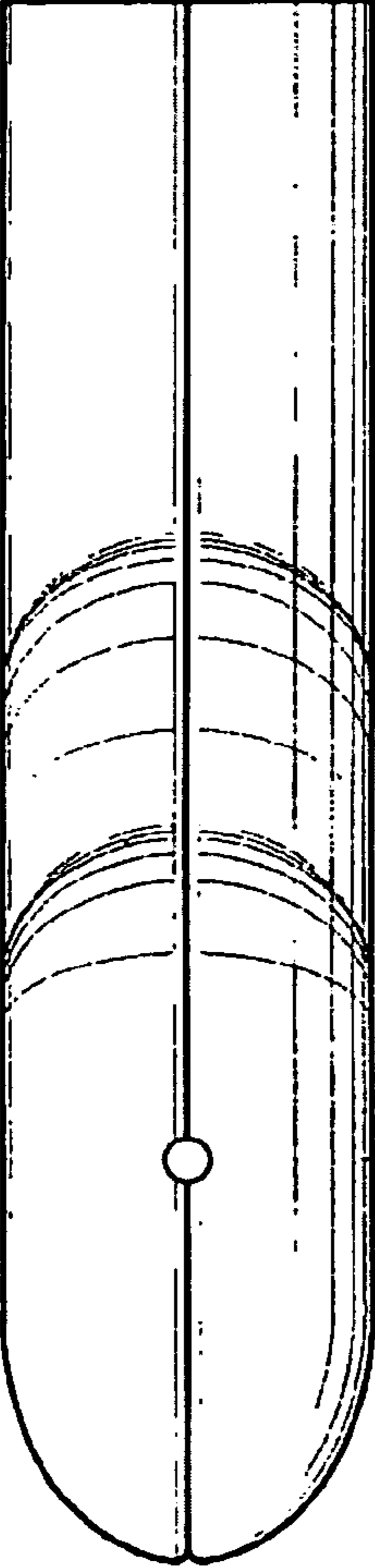


FIG. 6

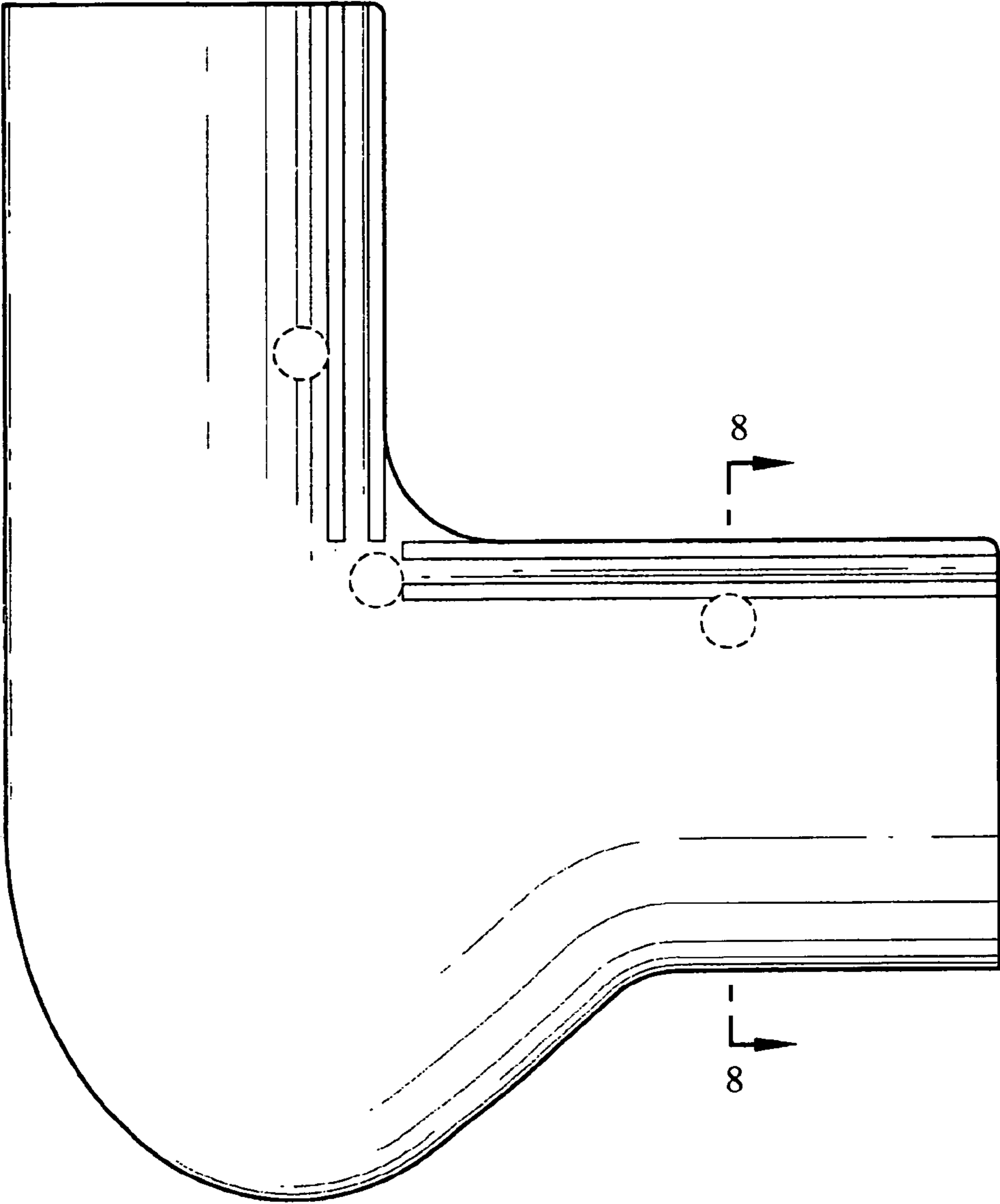


FIG. 7

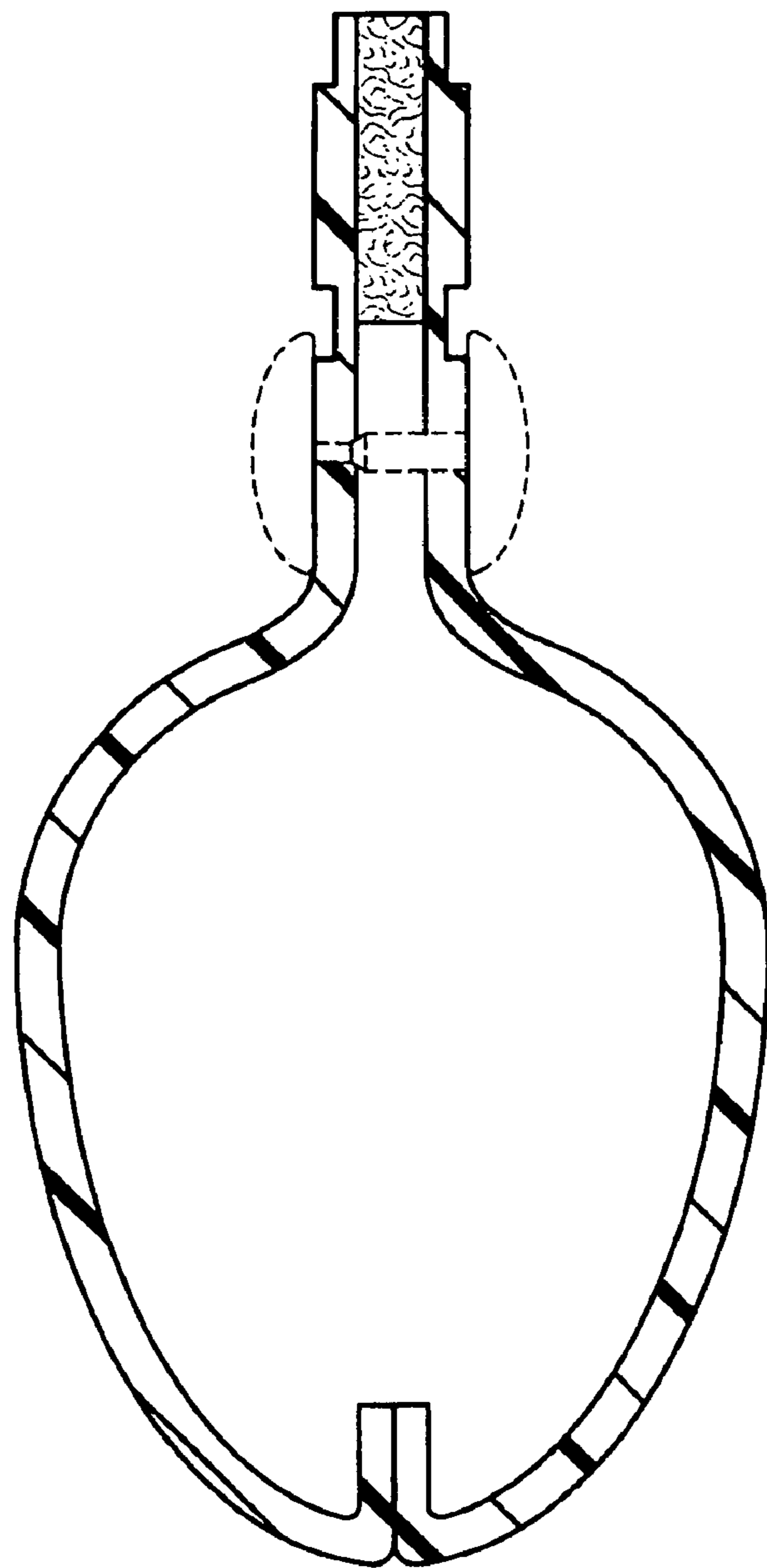


FIG. 8

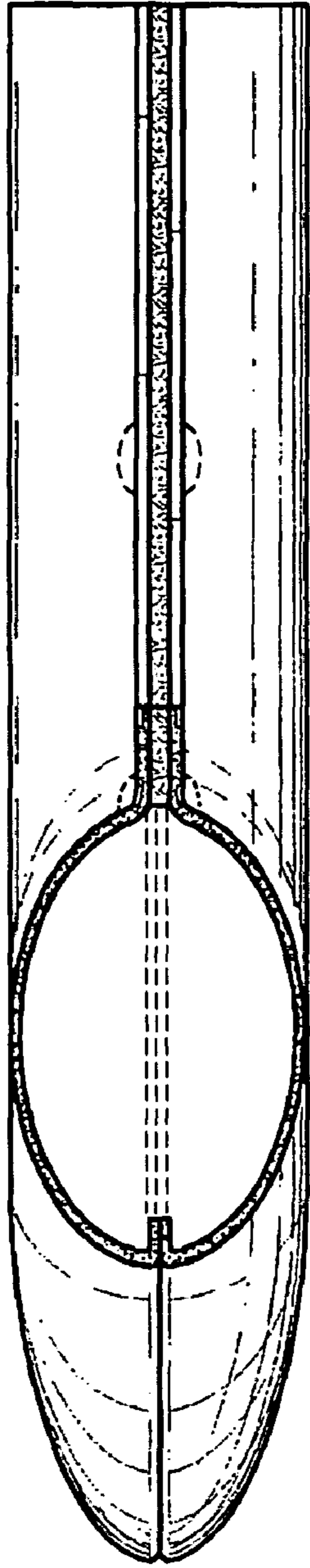


FIG. 9

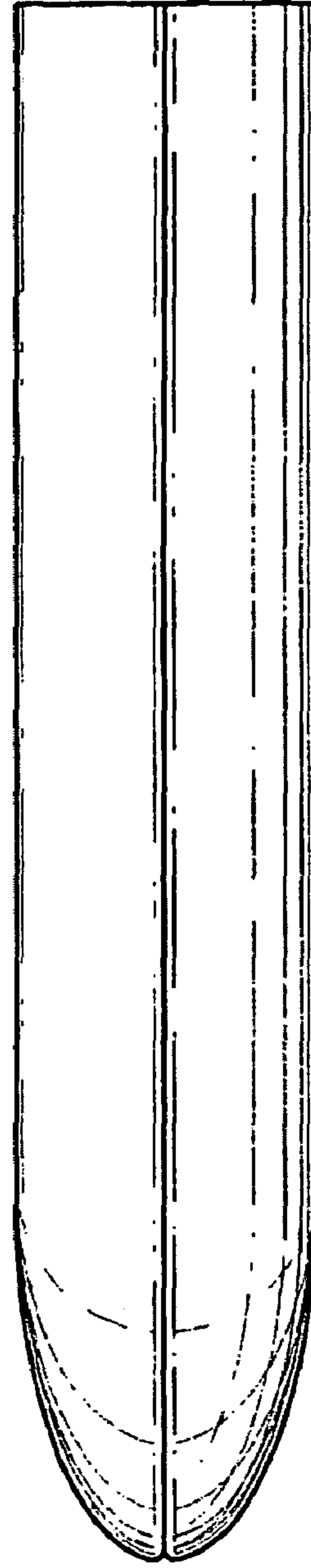


FIG. 10

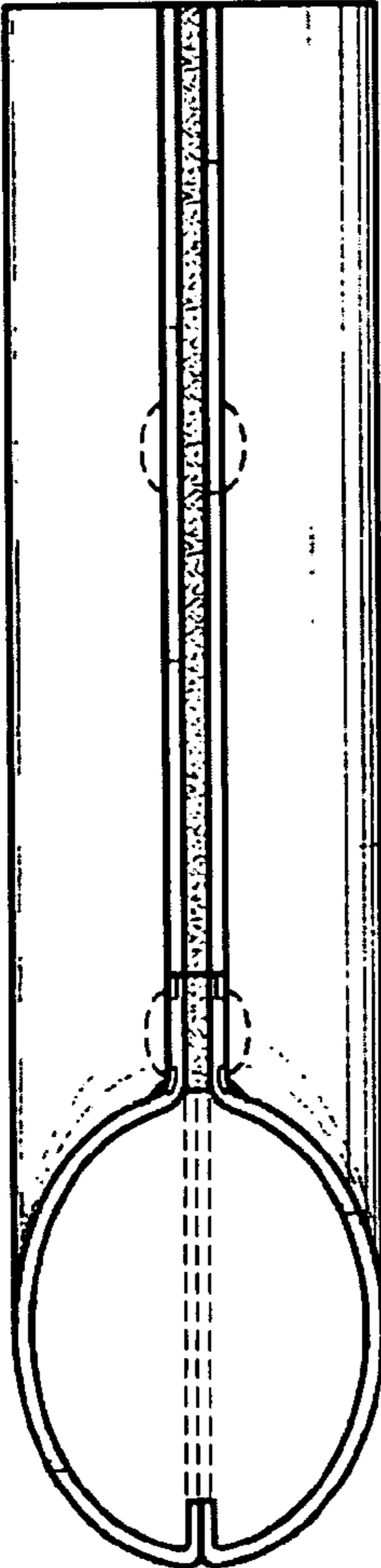


FIG. 11

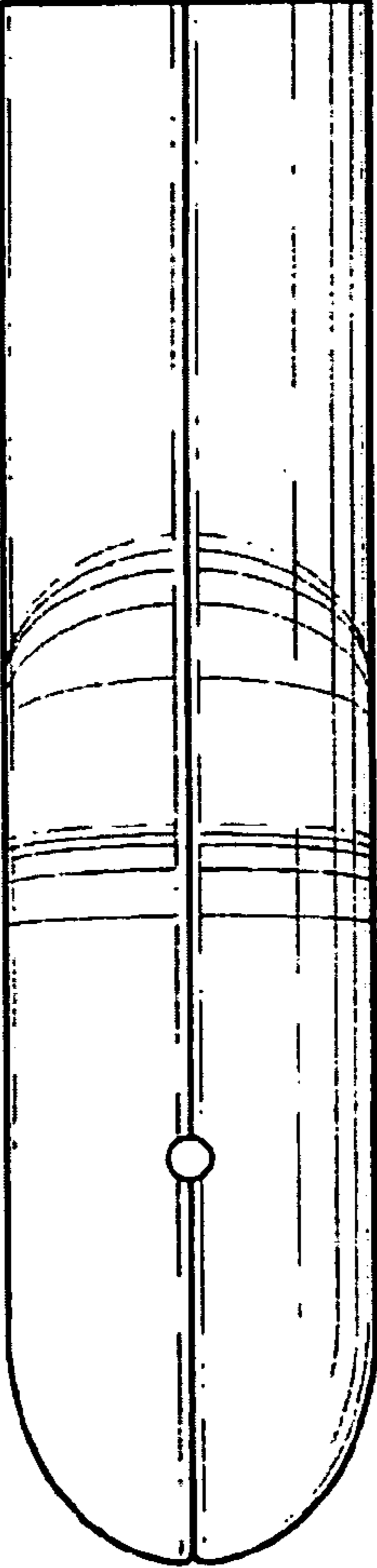


FIG. 12