



US00D653308S

(12) **United States Design Patent**  
**Senba**

(10) **Patent No.:** **US D653,308 S**

(45) **Date of Patent:** **\*\* Jan. 31, 2012**

(54) **ELECTROMAGNETIC VALVE**

(75) **Inventor:** **Katsuyuki Senba**, Tsukubamirai (JP)

(73) **Assignee:** **SMC Corporation**, Chiyoda-ku, Tokyo (JP)

(\*\*) **Term:** **14 Years**

(21) **Appl. No.:** **29/402,028**

(22) **Filed:** **Sep. 19, 2011**

(30) **Foreign Application Priority Data**

Jul. 5, 2011 (JP) ..... 2011-015397

(51) **LOC (9) Cl.** ..... **23-01**

(52) **U.S. Cl.** ..... **D23/233**

(58) **Field of Classification Search** ..... D23/233-237,  
D23/244-249; D15/5, 7, 199; 137/554,  
137/557, 560, 882, 884, 269, 271, 343, 625.64;  
251/15, 129.04, 130, 219, 331, 596.16, 597.13,  
251/30.01; 4/304

See application file for complete search history.

(56) **References Cited**

**U.S. PATENT DOCUMENTS**

- 5,603,355 A \* 2/1997 Miyazoe et al. .... 137/625.64
- D544,578 S \* 6/2007 Matsumoto et al. .... D23/233
- D544,581 S \* 6/2007 Matsumoto et al. .... D23/233
- D546,420 S \* 7/2007 Matsumoto et al. .... D23/233

- D574,466 S \* 8/2008 Kato ..... D23/233
- D607,540 S \* 1/2010 Matsumoto ..... D23/233
- D636,460 S \* 4/2011 Hayashi ..... D23/233
- D638,101 S \* 5/2011 Kato ..... D23/233
- D639,393 S \* 6/2011 Hayashi ..... D23/233

\* cited by examiner

*Primary Examiner* — Cathron C. Brooks

*Assistant Examiner* — Maurice Stevens

(74) *Attorney, Agent, or Firm* — Yokoi & Co., U.S.A., Inc.;  
Toshiyuki Yokoi

(57) **CLAIM**

The ornamental design for an electromagnetic valve, as shown and described.

**DESCRIPTION**

FIG. 1 shows a front view of an electromagnetic valve showing my new design;

FIG. 2 shows a rear view thereof;

FIG. 3 shows a right side view thereof;

FIG. 4 shows a left side view thereof;

FIG. 5 shows a top view thereof;

FIG. 6 shows a bottom view thereof;

FIG. 7 shows a top, front and left side perspective view thereof; and,

FIG. 8 shows a bottom, rear and right side perspective view thereof.

The portions of the design shown in broken lines in FIGS. 1 to 8 are for the purpose of illustrating the environment only and form no part of the claimed design.

**1 Claim, 7 Drawing Sheets**

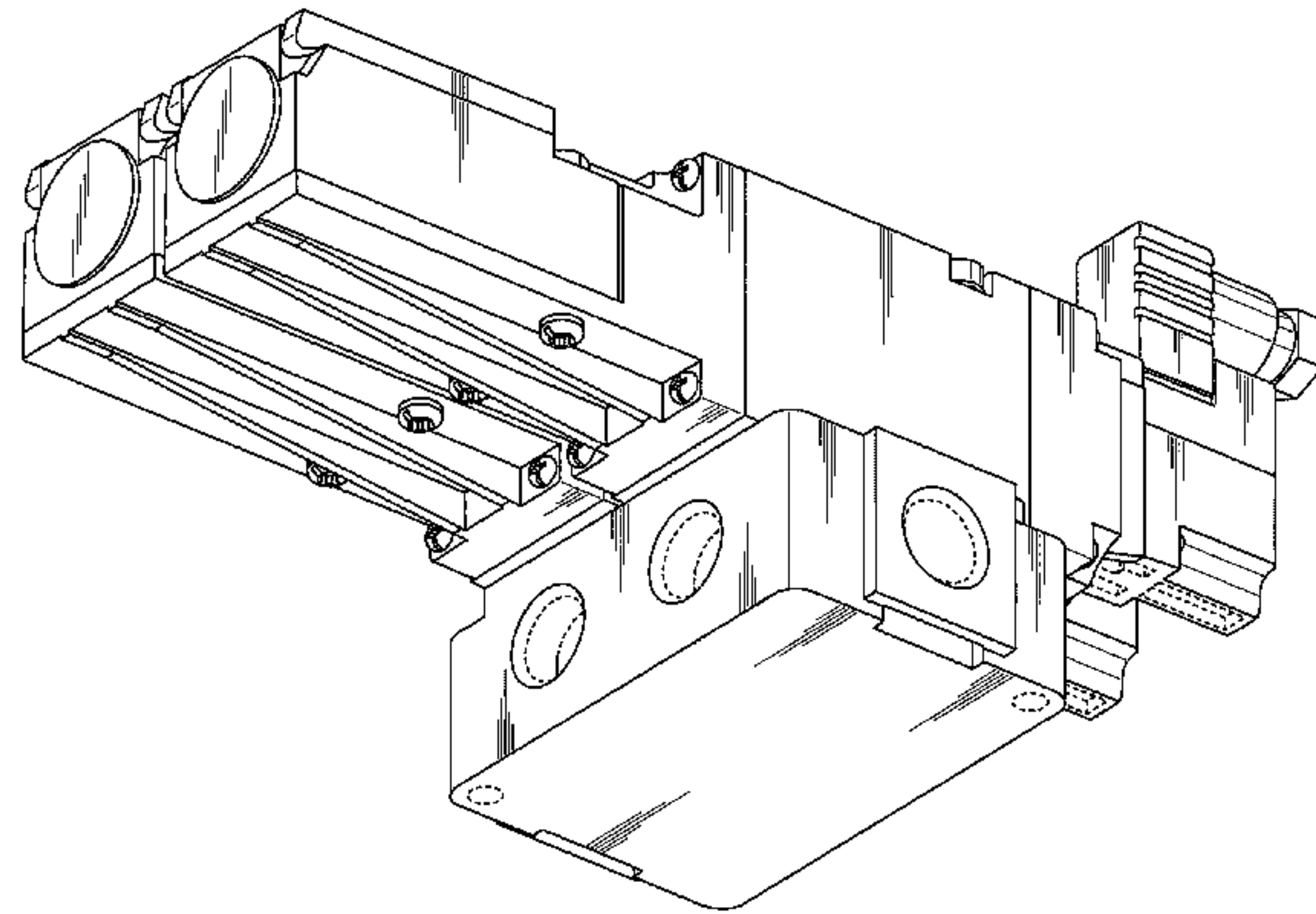
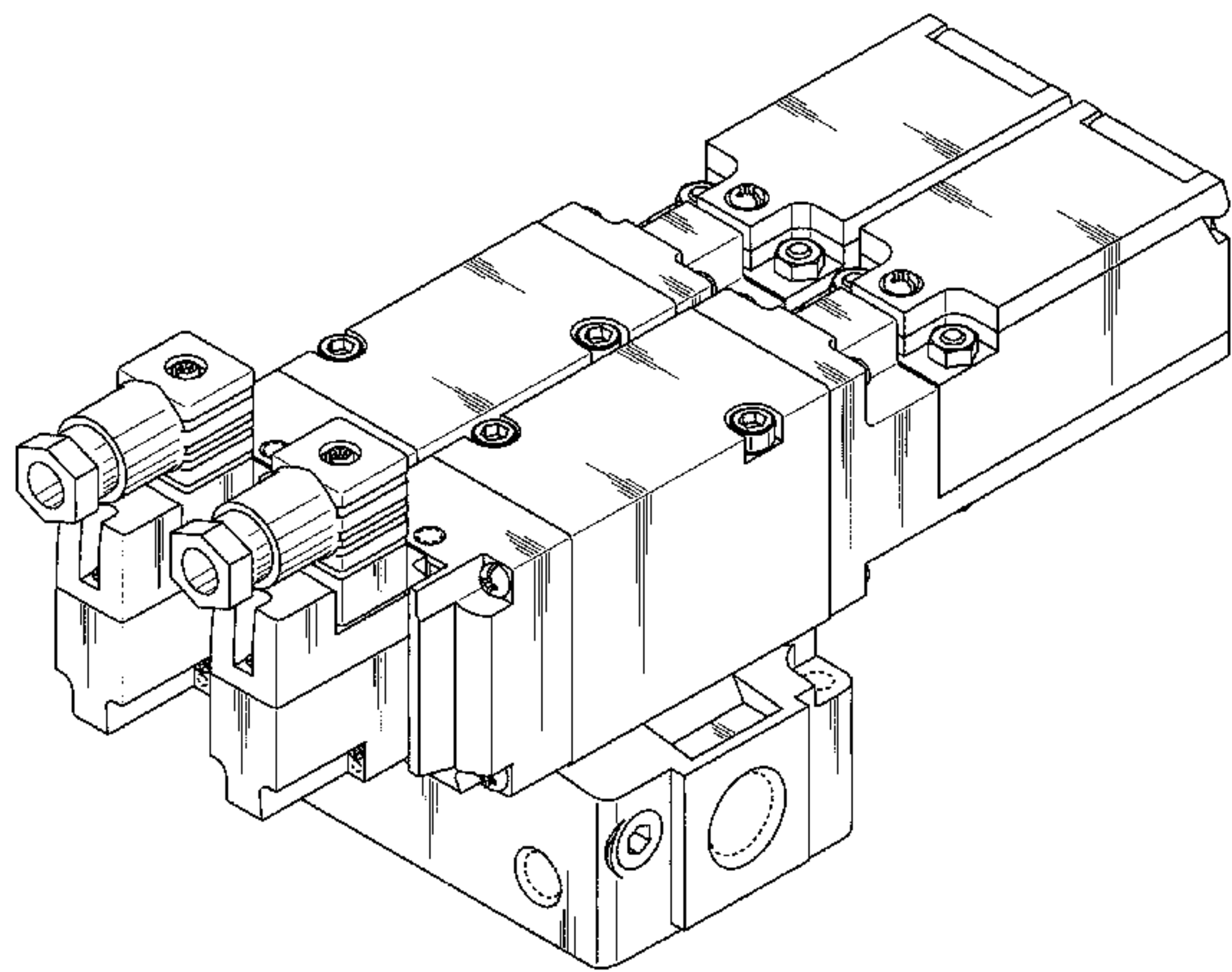


FIG. 1

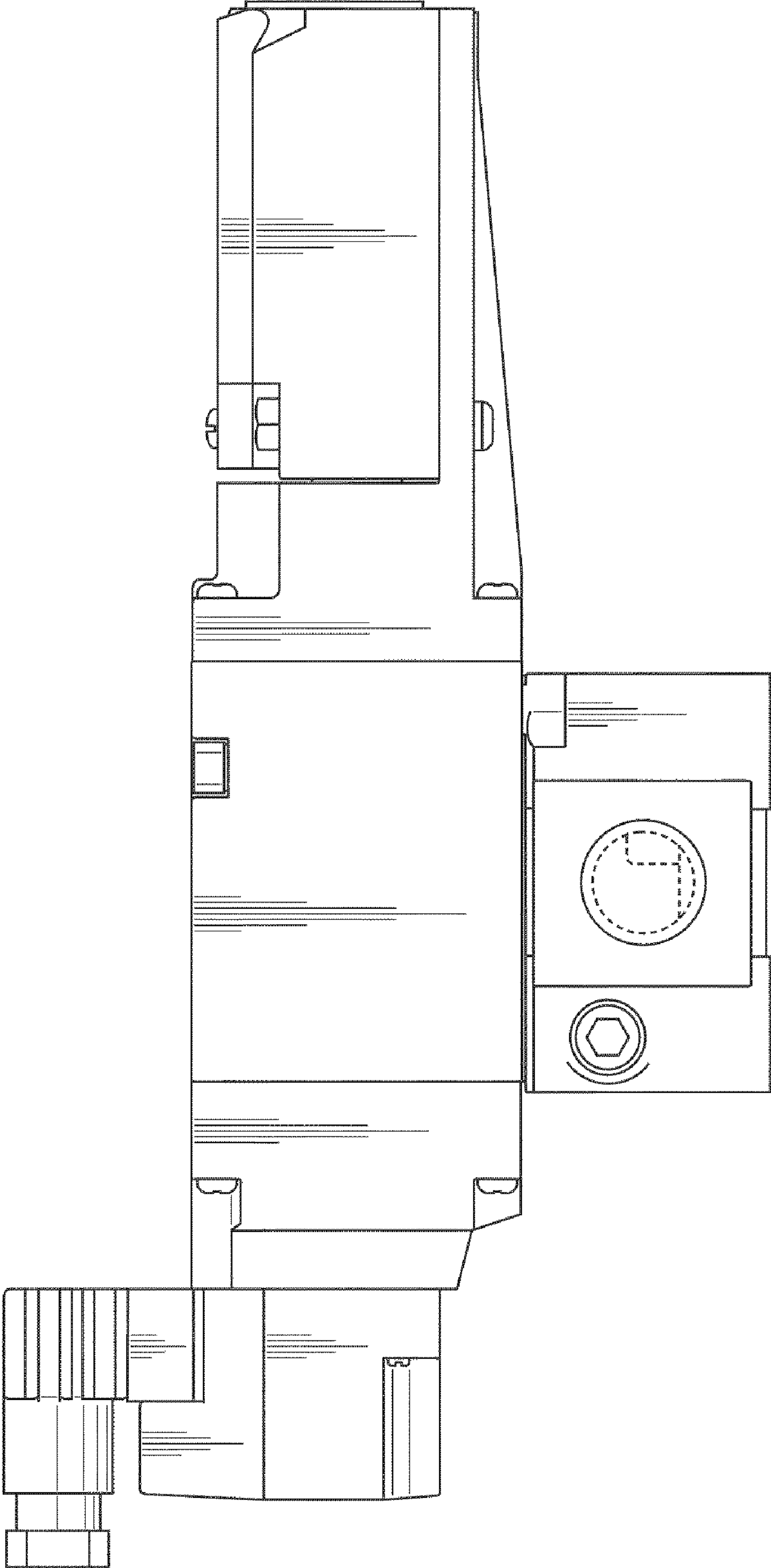


FIG. 2

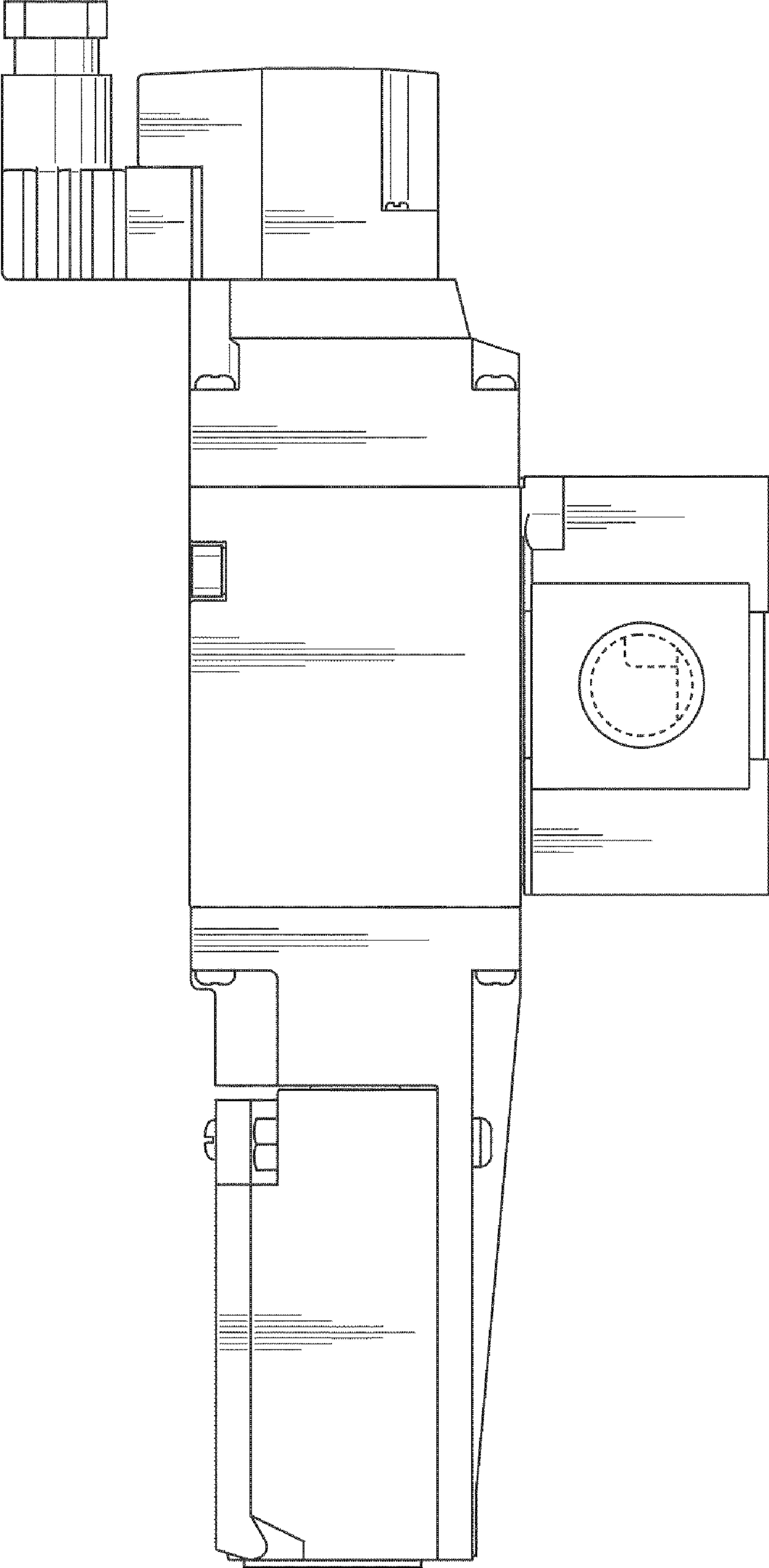


FIG. 3

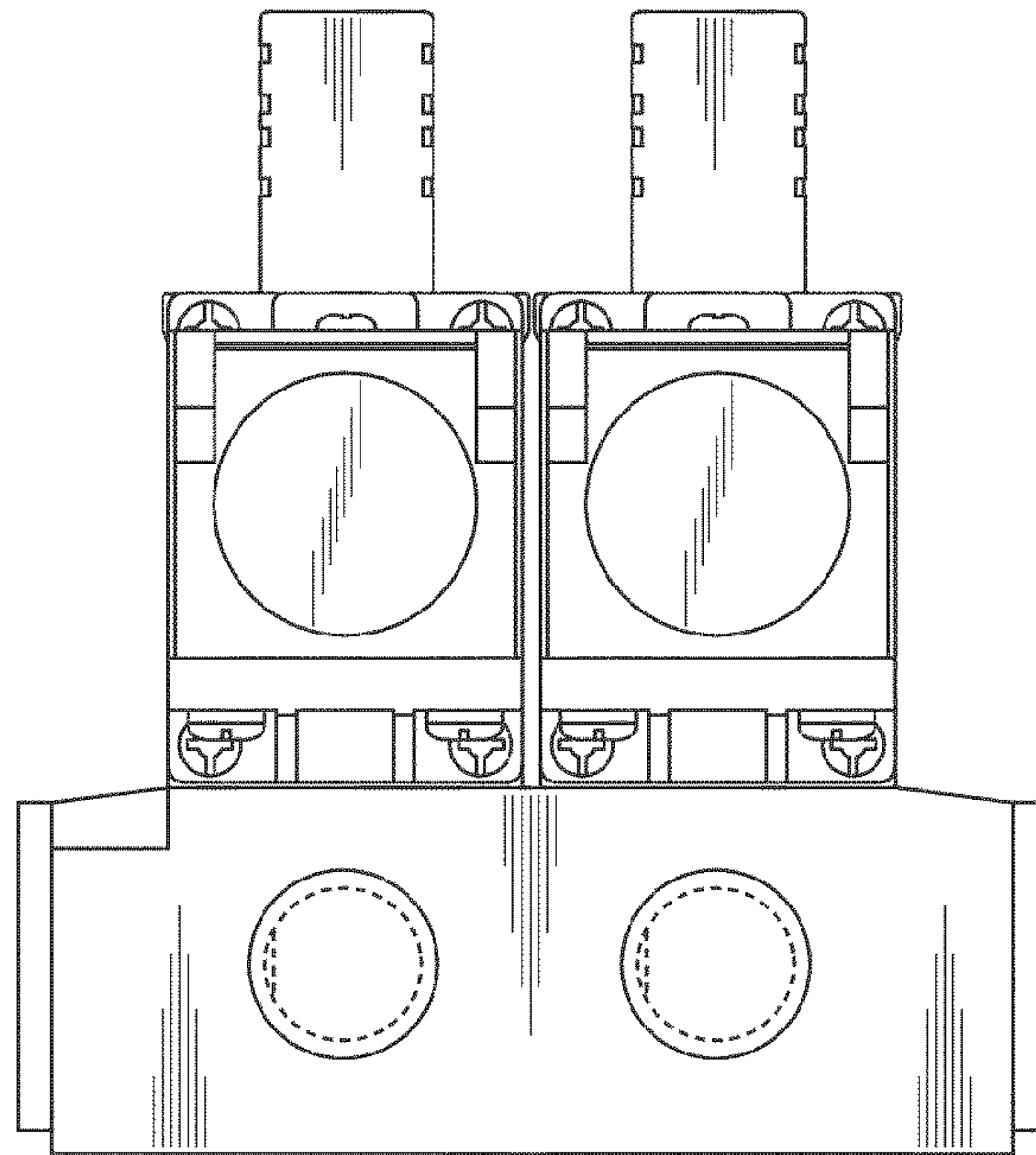


FIG. 4

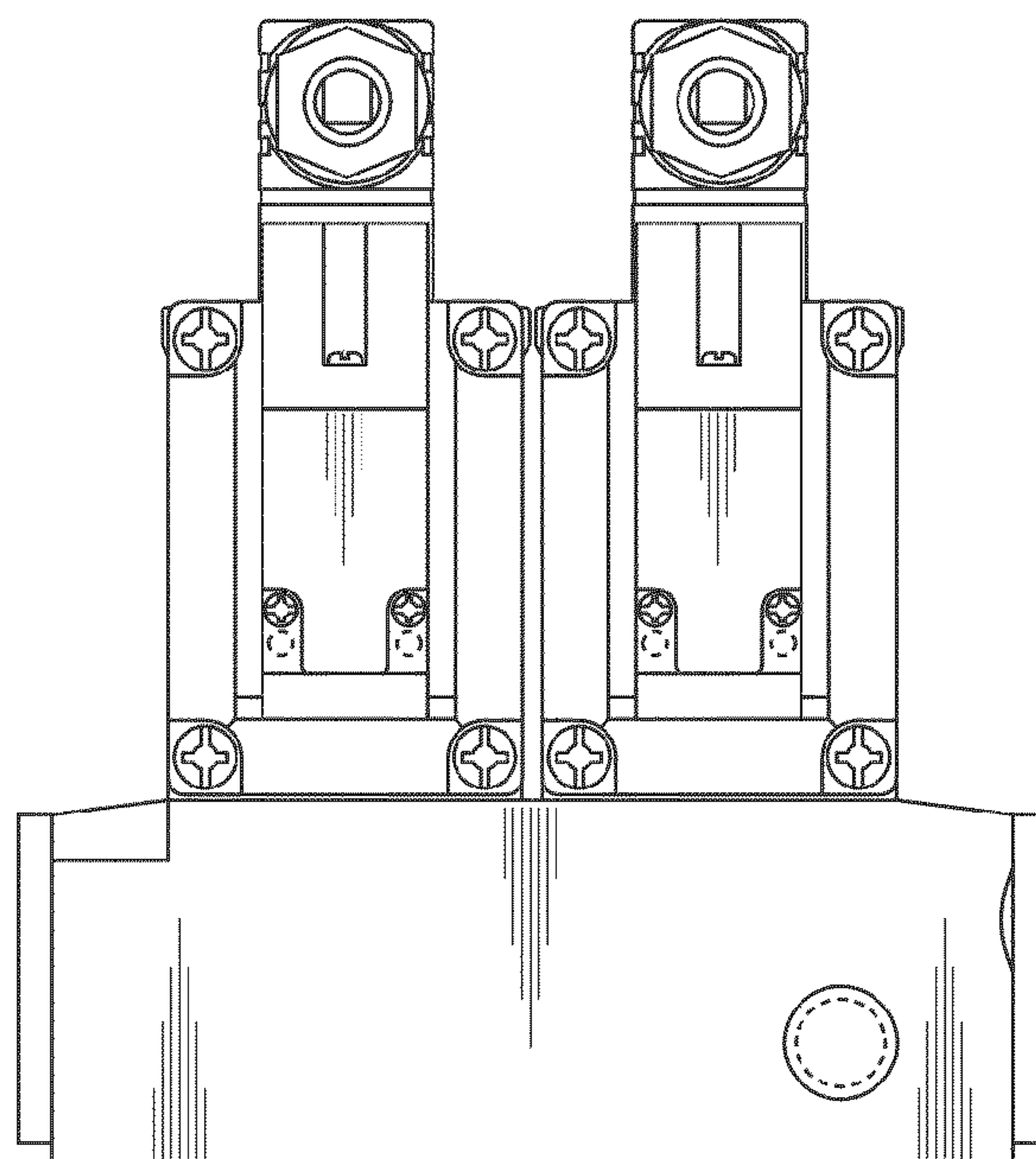




FIG. 5

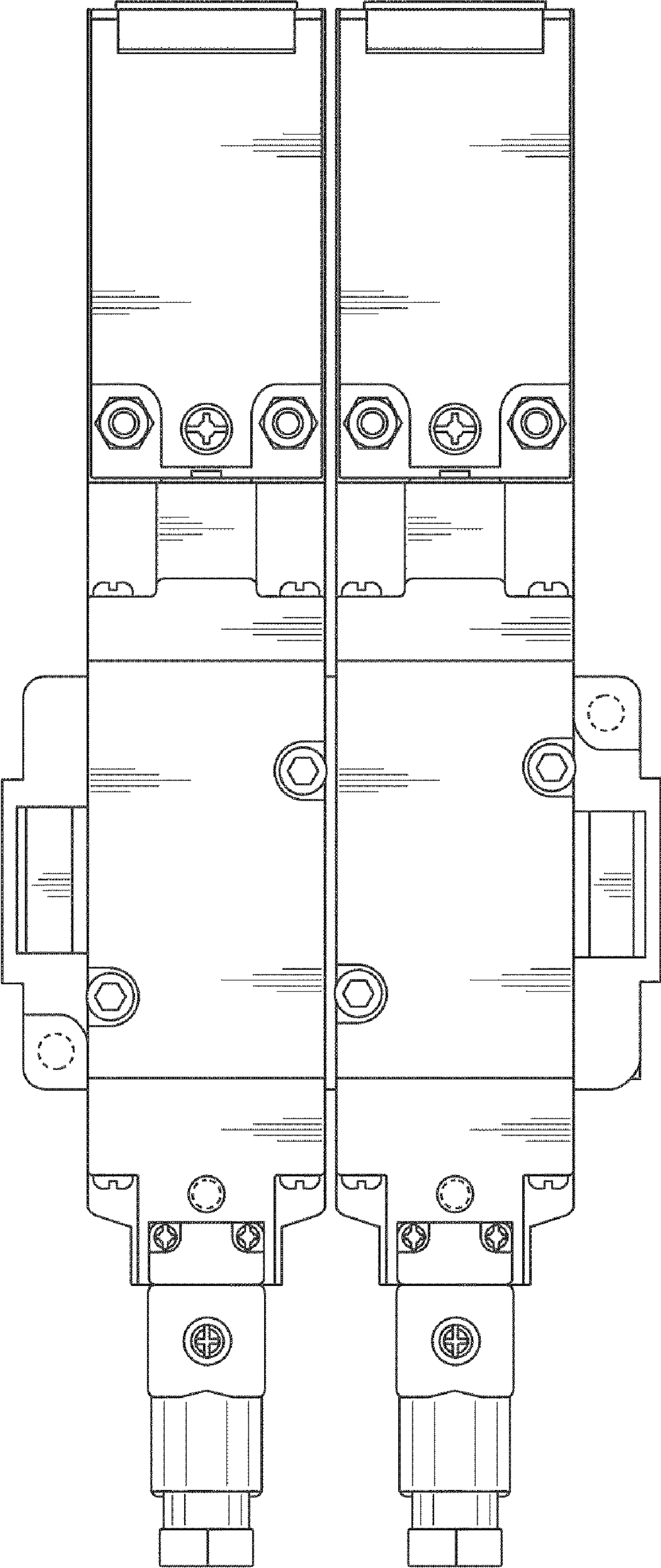


FIG. 6

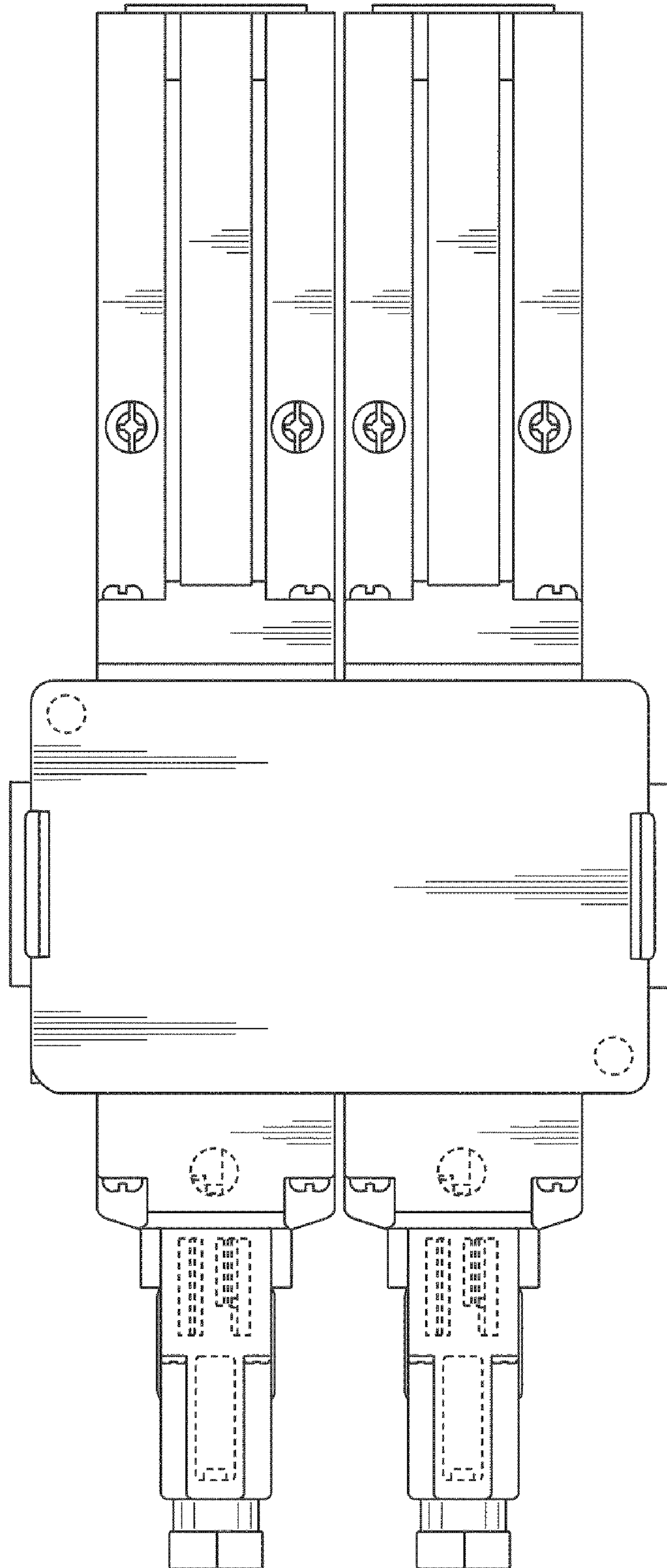


FIG. 7

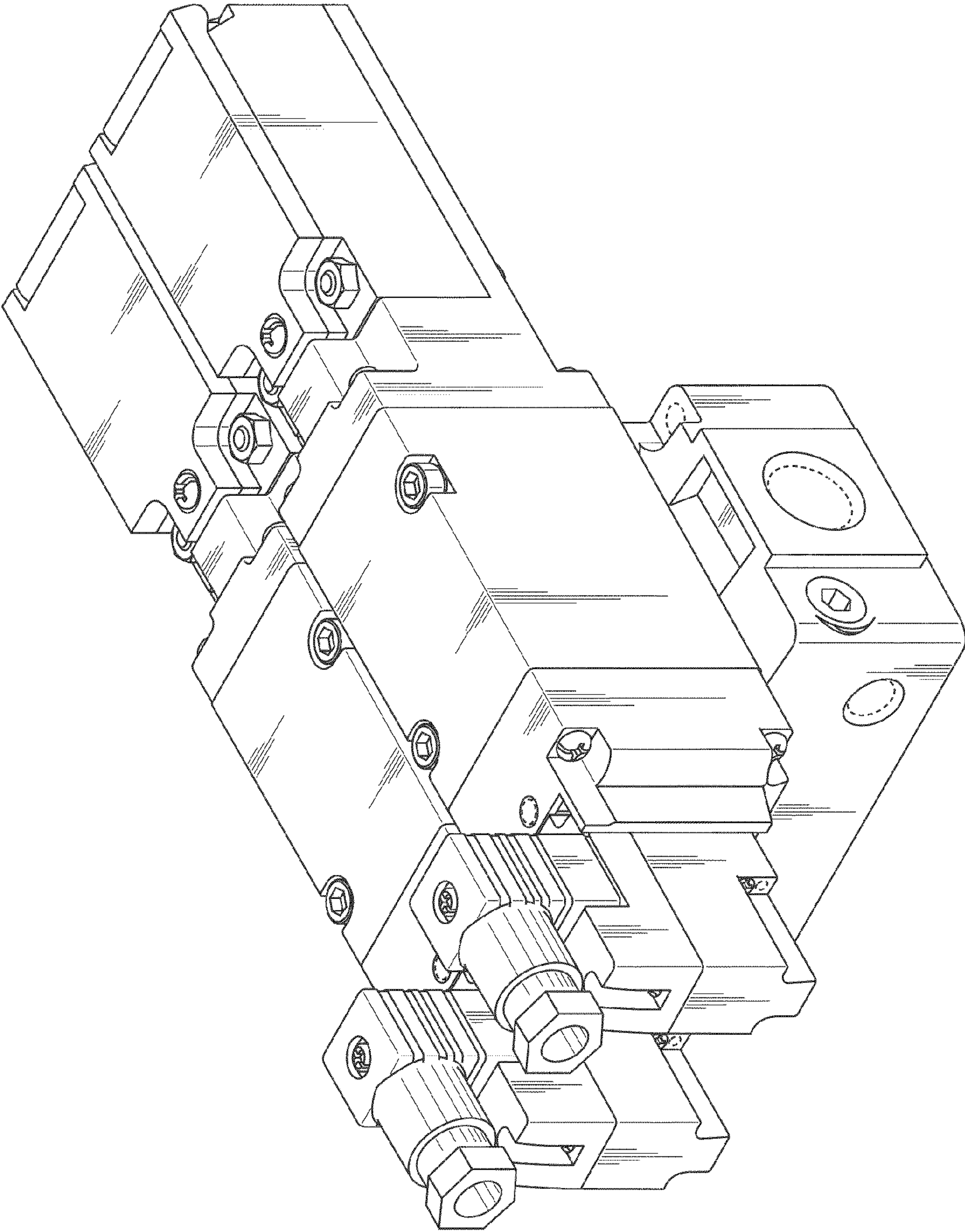




FIG. 8

