



US00D653303S

(12) **United States Design Patent**  
**Okawa et al.**

(10) **Patent No.:** **US D653,303 S**  
(45) **Date of Patent:** **\*\* Jan. 31, 2012**

(54) **FRAME FOR IMMERSION FLAT FILTER  
MEMBRANE ELEMENTS**

5,922,201 A \* 7/1999 Yamamori et al. .... 210/321.79  
D481,782 S \* 11/2003 Okazaki ..... D23/209  
D526,044 S \* 8/2006 Torichigai et al. .... D23/209  
7,323,040 B2 \* 1/2008 Poschmann ..... 96/9

(75) Inventors: **Yusuke Okawa**, Toshima-ku (JP);  
**Yasuyuki Okuno**, Amagasaki (JP); **Kei  
Hayashida**, Amagasaki (JP)

\* cited by examiner

(73) Assignee: **Hitachi Plant Technologies, Ltd.**,  
Toshima-ku (JP)

*Primary Examiner* — Robin V Webster

(74) *Attorney, Agent, or Firm* — Wenderoth, Lind & Ponack,  
L.L.P.

(\*\*) Term: **14 Years**

(57) **CLAIM**

(21) Appl. No.: **29/347,652**

The ornamental design for a frame for immersion flat filter  
membrane elements, as shown and described.

(22) Filed: **Mar. 30, 2010**

**DESCRIPTION**

(30) **Foreign Application Priority Data**

Nov. 12, 2009 (JP) ..... 2009-026498

(51) **LOC (9) Cl.** ..... **23-01**

(52) **U.S. Cl.** ..... **D23/209**

(58) **Field of Classification Search** ..... D23/207,  
D23/209; 96/7; 210/636, 637, 321.6, 321.84,  
210/321.75, 500.23

See application file for complete search history.

FIG. 1 is a front view of the present invention, the rear view  
being the same as the front view;  
FIG. 2 is a left side view of the present invention, the right side  
view being the same as the left side view;  
FIG. 3 is a top view of the present invention;  
FIG. 4 is a bottom view of the present invention;  
FIG. 5 is a cross-sectional view taken along line 5-5 of FIG. 3;  
FIG. 6 is a cross-sectional view taken along line 6-6 of FIG. 3;  
FIG. 7 is a front view of the present invention with environ-  
mental structure shown in broken lines; and,  
FIG. 8 is a perspective view of the present invention.

The broken lines shown in FIG. 7 representing environmental  
structure are for illustrative purposes only and form no part of  
the claimed design.

(56) **References Cited**

U.S. PATENT DOCUMENTS

4,956,085 A \* 9/1990 Kopf ..... 210/231  
D324,720 S \* 3/1992 Kopf ..... D23/209  
D325,070 S \* 3/1992 Kopf ..... D23/209

**1 Claim, 8 Drawing Sheets**

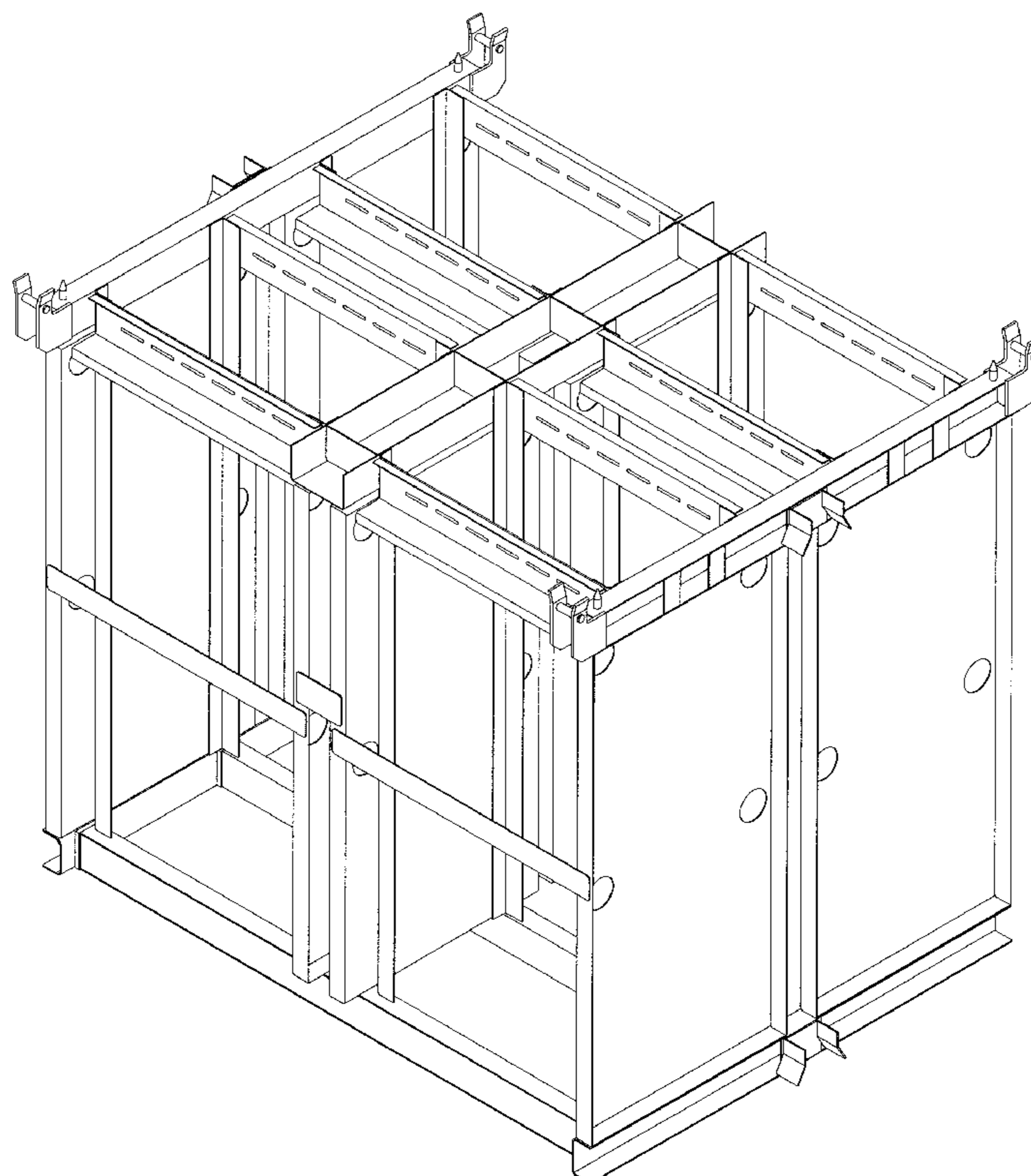


FIG. 1

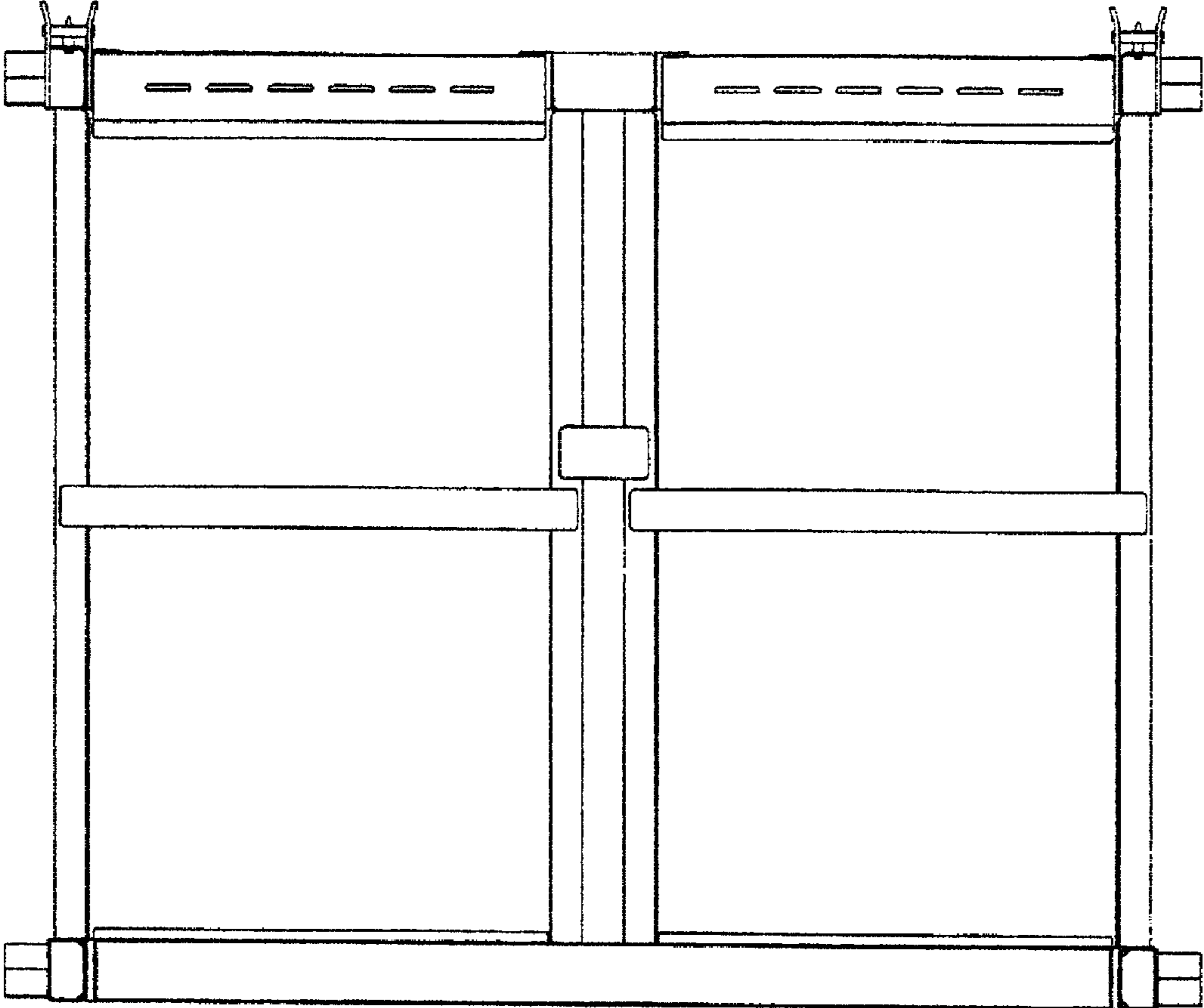


FIG. 2

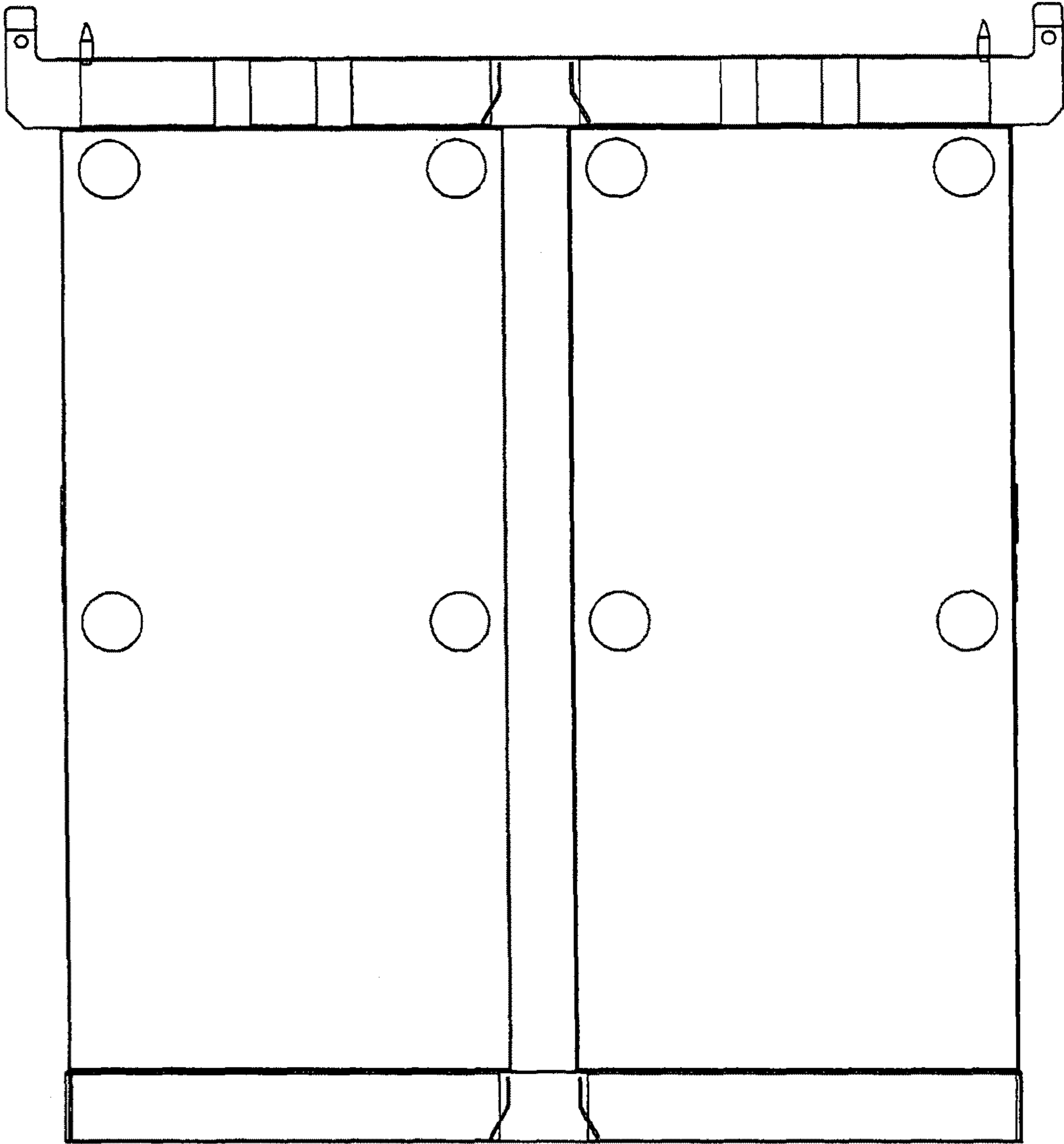


FIG. 3

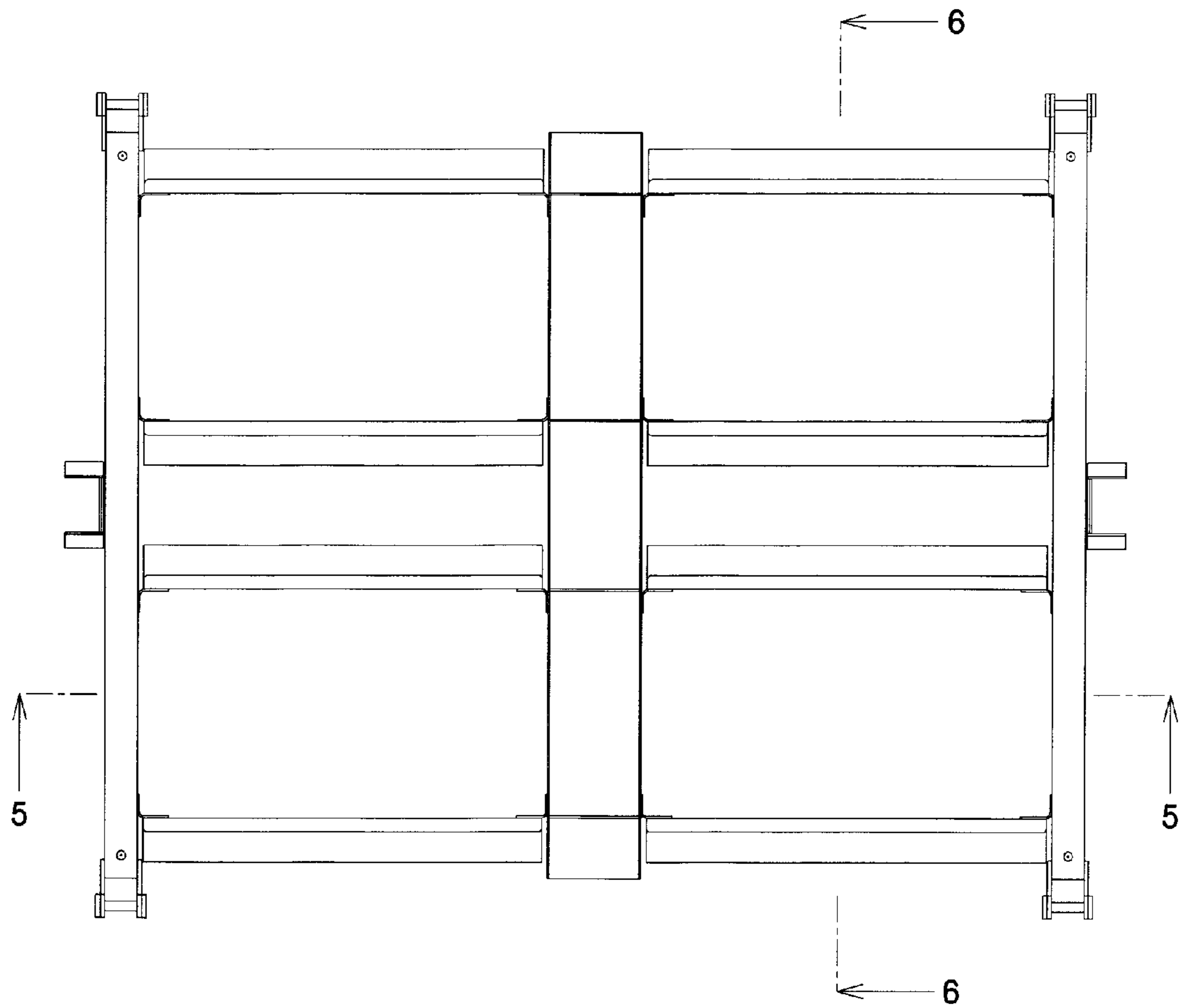


FIG. 4

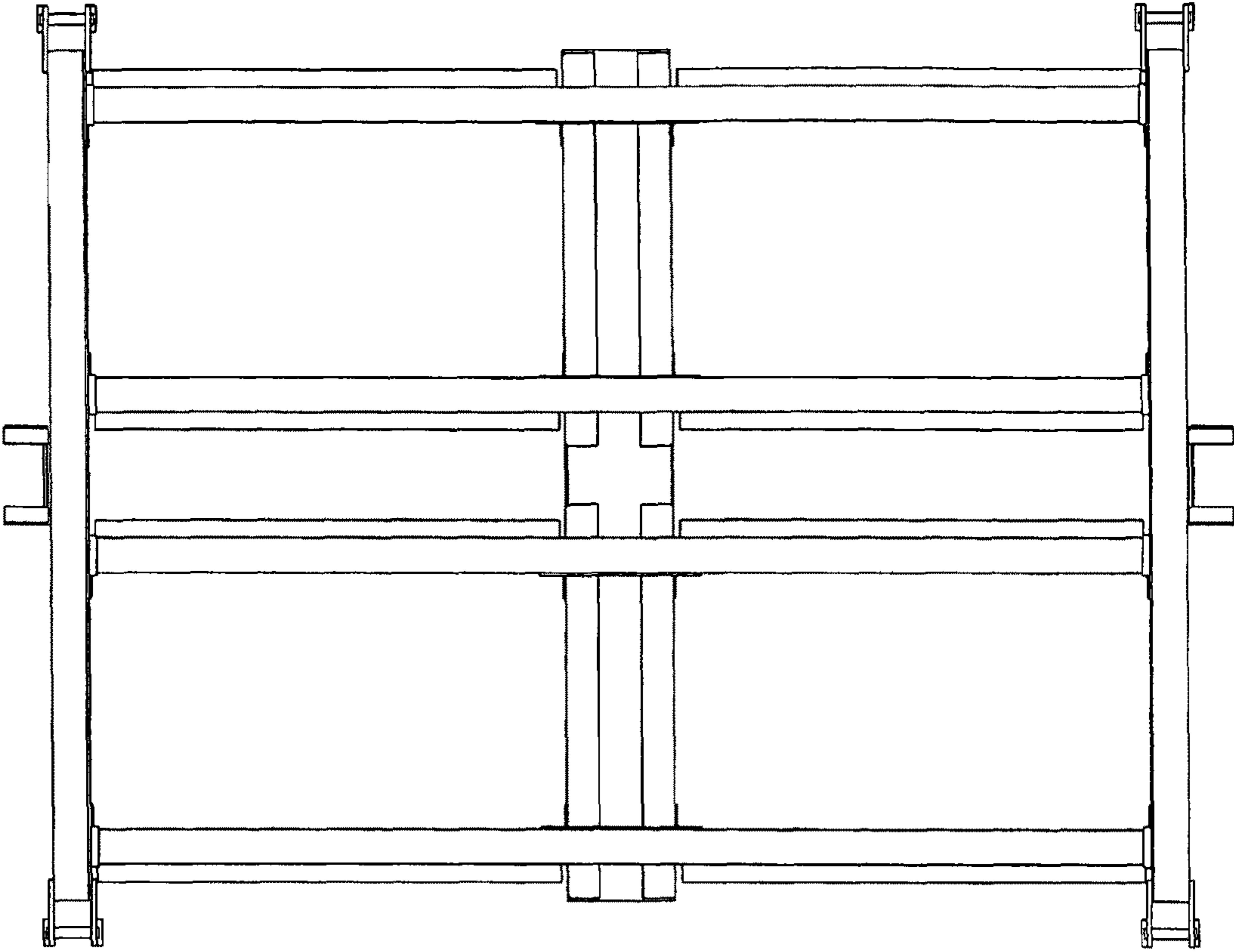


FIG. 5

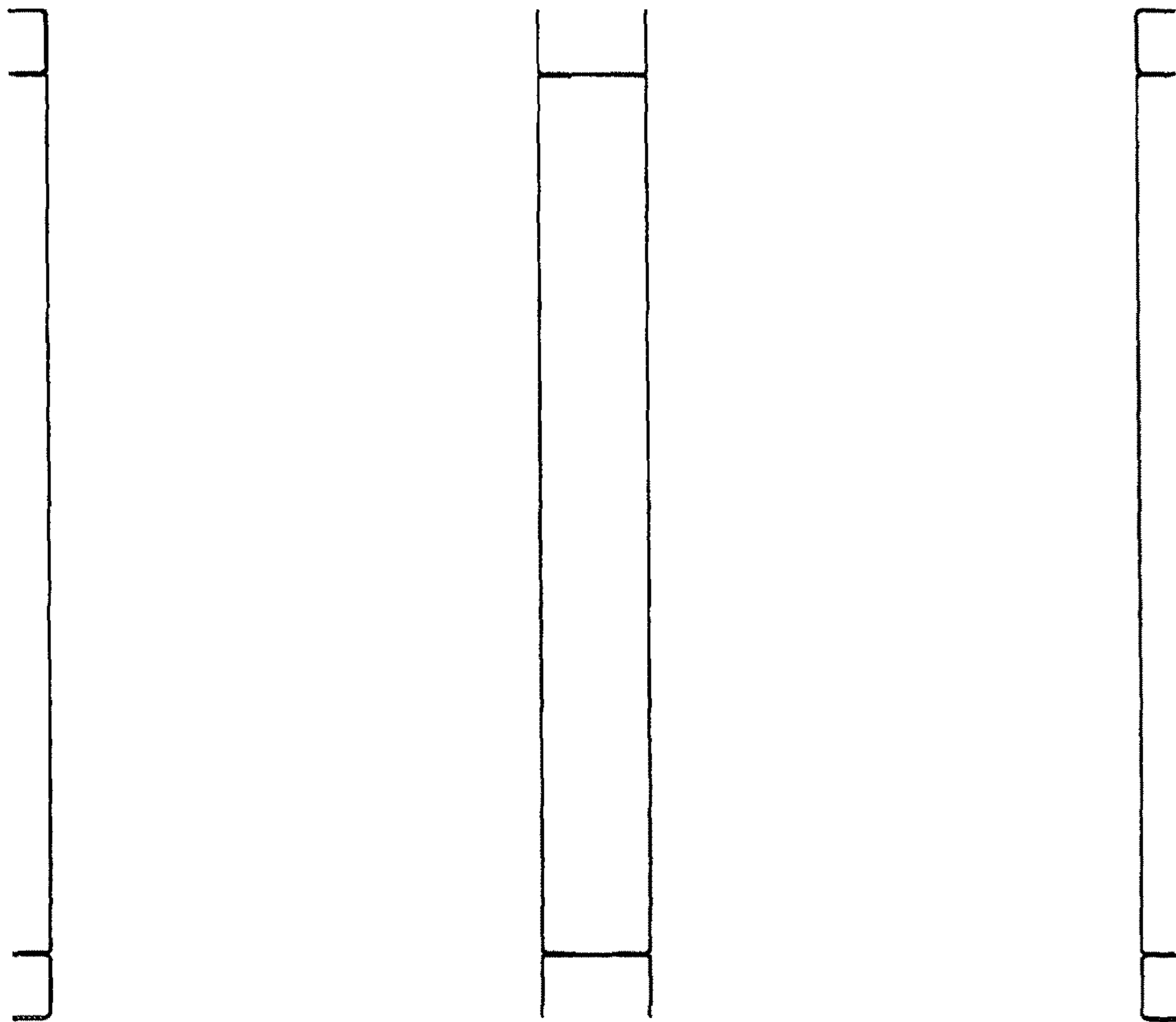


FIG. 6





FIG. 7

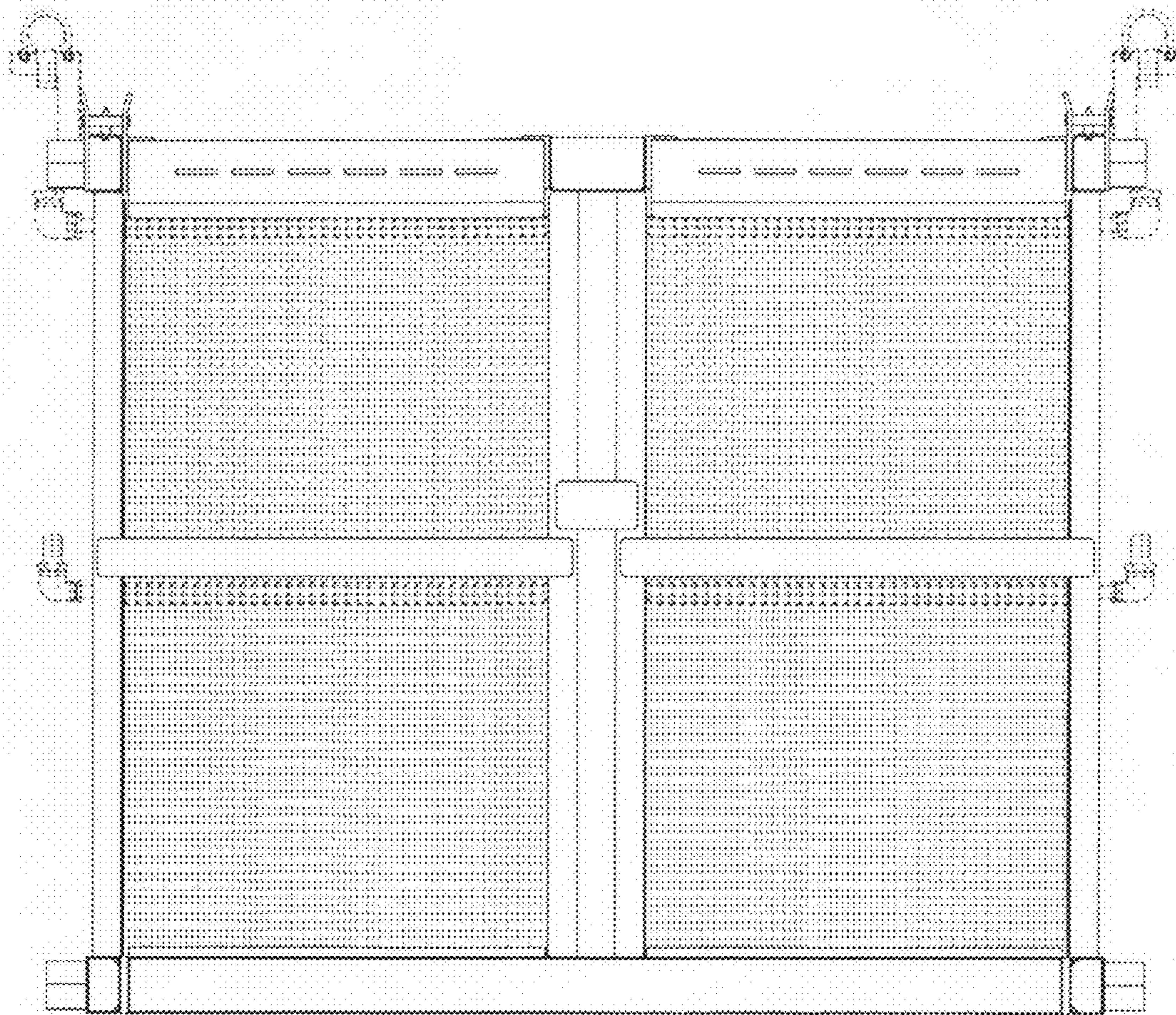




FIG. 8

