



US00D653300S

(12) **United States Design Patent**  
**Emde**

(10) **Patent No.:** **US D653,300 S**  
(45) **Date of Patent:** **\*\* Jan. 31, 2012**

(54) **SEMI-AUTOMATIC FIREARM**

(56) **References Cited**

(75) Inventor: **Dietmar Emde**, Arnsberg (DE)

U.S. PATENT DOCUMENTS

(73) Assignee: **German Sport Guns GmbH**,  
Ense-Hoingen (DE)

3,777,381	A *	12/1973	Moller et al.	42/143
4,523,509	A *	6/1985	Thevis et al.	89/129.02
6,508,027	B1 *	1/2003	Kim	42/124
7,685,758	B2 *	3/2010	Romer	42/124
2008/0187888	A1 *	8/2008	Jones et al.	434/21

(\*\*) Term: **14 Years**

\* cited by examiner

(21) Appl. No.: **29/360,147**

*Primary Examiner* — Michael Pratt

(22) Filed: **Apr. 21, 2010**

(74) *Attorney, Agent, or Firm* — McNeely, Hare & War LLP;  
Kevin J. McNeely

(30) **Foreign Application Priority Data**

(57) **CLAIM**

Oct. 26, 2009 (EM) ..... 001627993

I claim, the ornamental design for semi-automatic firearm, as shown and described.

(51) **LOC (9) Cl.** ..... **D22-01**

**DESCRIPTION**

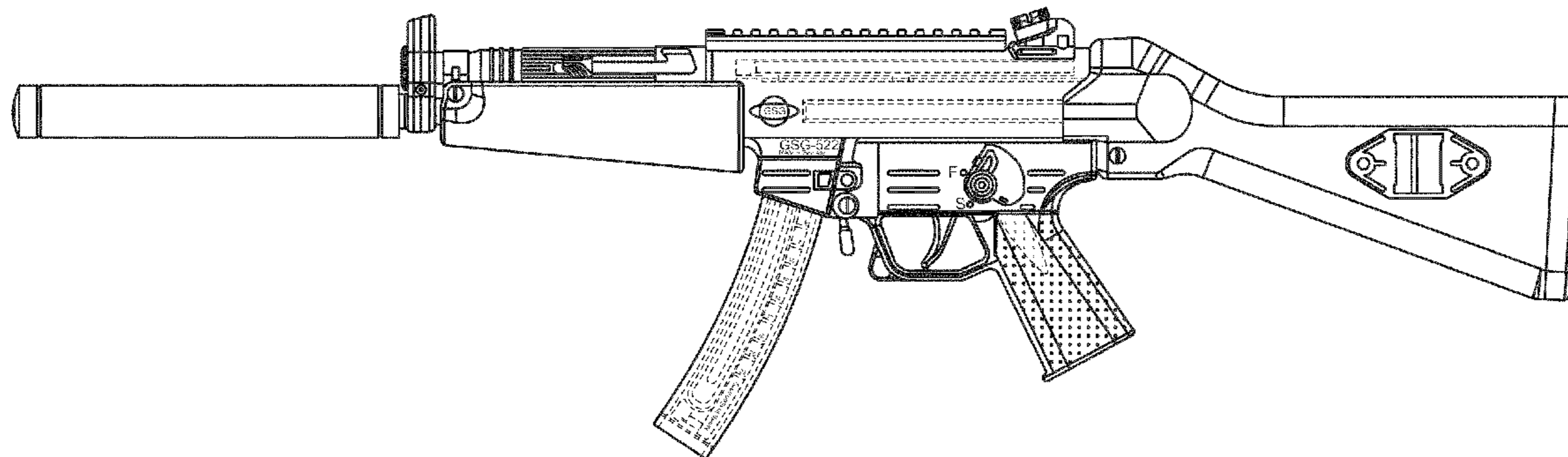
(52) **U.S. Cl.** ..... **D22/103**

(58) **Field of Classification Search** ..... D22/100,  
D22/101, 103, 104, 108, 199; D21/572,  
D21/573; 42/51, 71.01, 75.01, 75.02, 90,  
42/94, 134, 136, 139, 125, 72, 111; 362/110;  
33/241, 277; 313/105 R; 89/40.06, 41.19,  
89/37.04, 33.04, 191.01, 200-204; 124/67,  
124/66, 72, 74

FIG. 1 is a left elevation view of a semi-automatic firearm, showing my new design;  
FIG. 2 is a right elevation view thereof;  
FIG. 3 is a back elevation view thereof;  
FIG. 4 is a plan view thereof;  
FIG. 5 is a bottom view thereof; and,  
FIG. 6 is a front elevation view thereof.

See application file for complete search history.

**1 Claim, 6 Drawing Sheets**



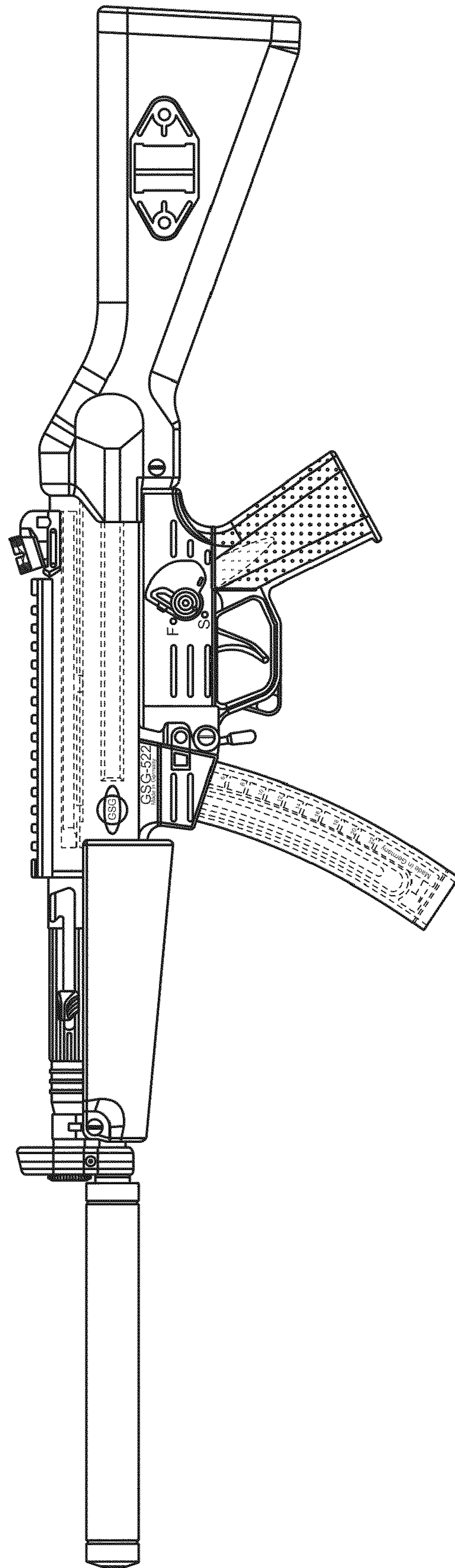


FIG. 1

FIG. 2

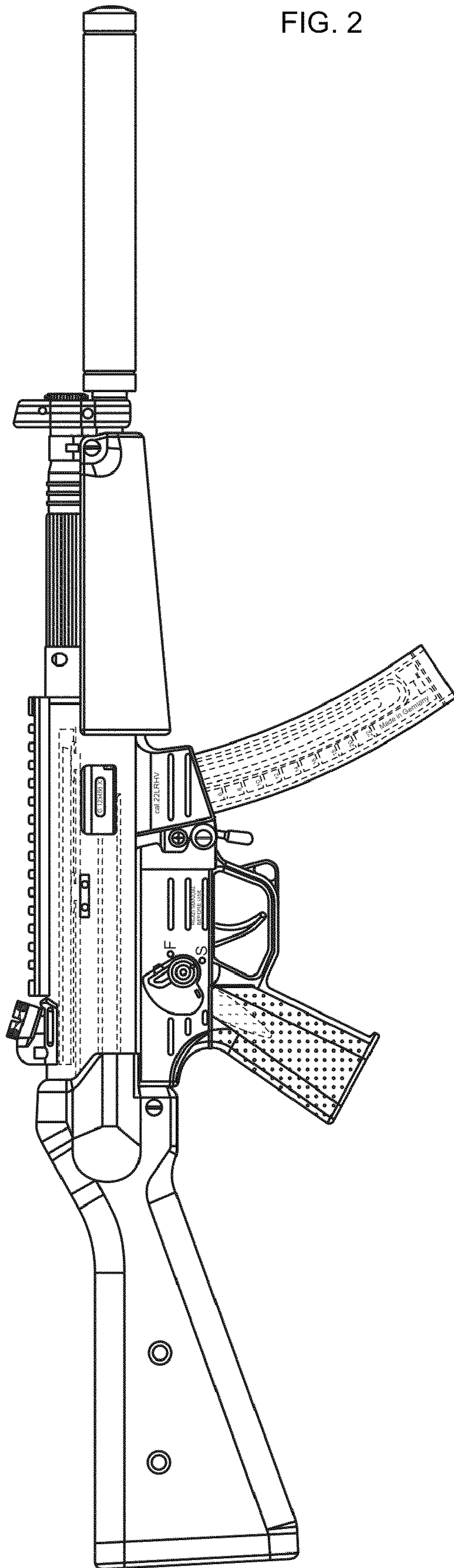


FIG. 3

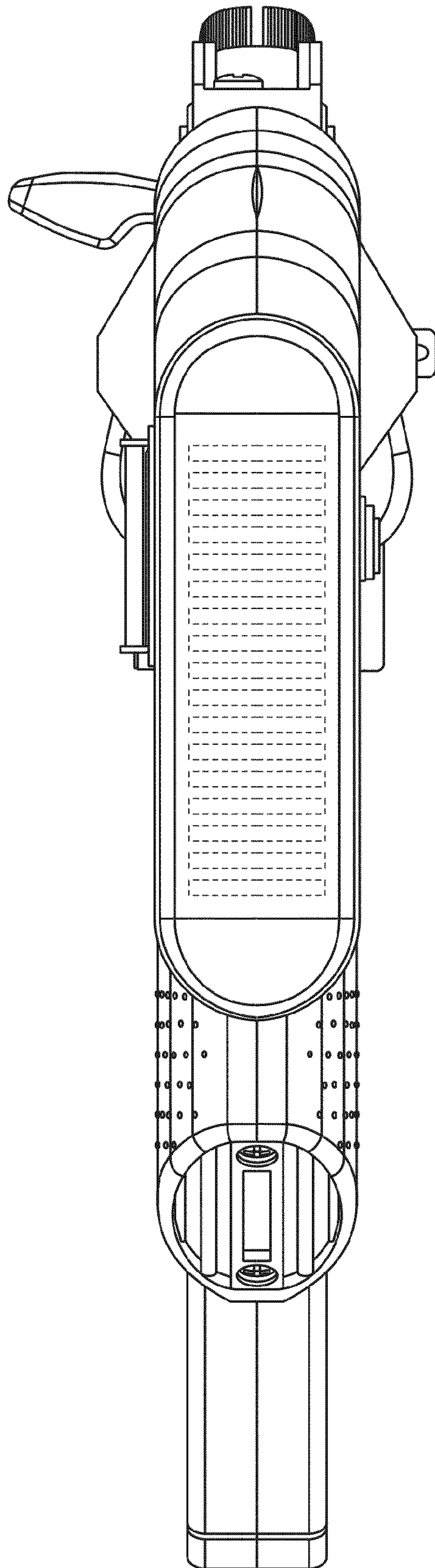
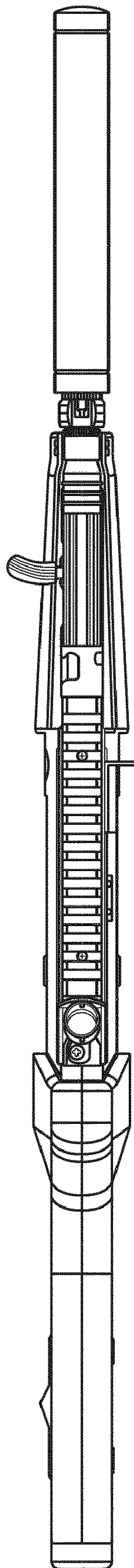


FIG. 4



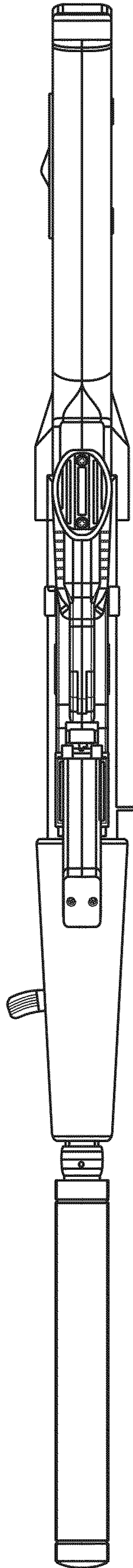


FIG. 5

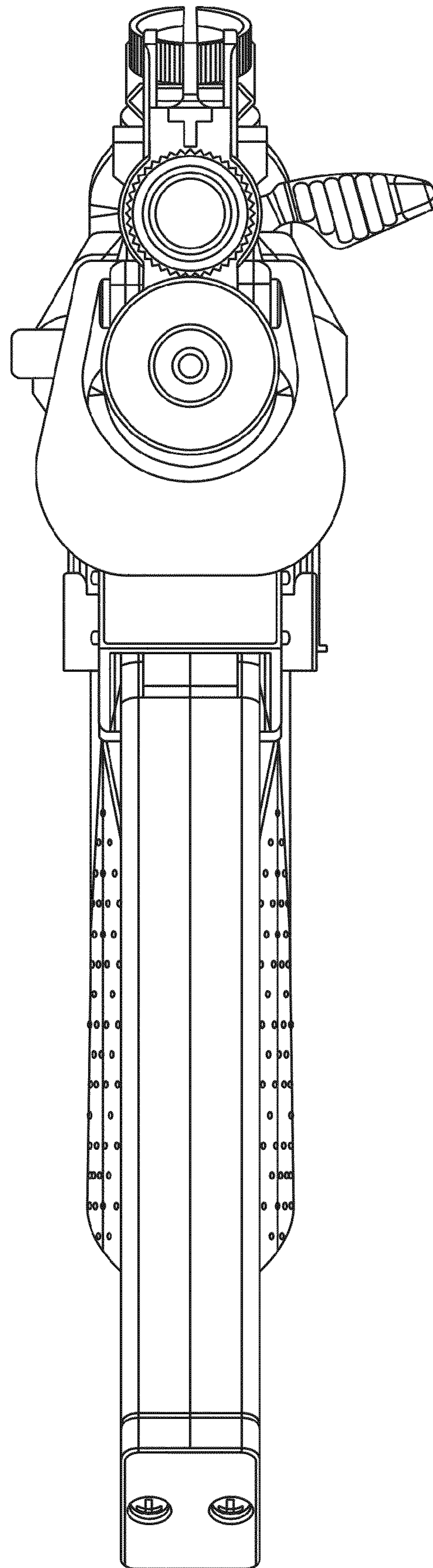


FIG. 6