



US00D653297S

(12) **United States Design Patent**
Matulich

(10) **Patent No.:** **US D653,297 S**
(45) **Date of Patent:** **** Jan. 31, 2012**

(54) **BILLIARD TABLE**

(76) Inventor: **Adam Matulich**, Seatac, WA (US)

(**) Term: **14 Years**

(21) Appl. No.: **29/390,359**

(22) Filed: **Apr. 22, 2011**

(51) **LOC (9) Cl.** **21-01**

(52) **U.S. Cl.** **D21/783**

(58) **Field of Classification Search** D21/312,
D21/313, 321, 782, 784, 338, 316; 273/317,
273/317.4, 317.1, 108.1, 108, 118 R, 121 R,
273/236, 241, 259, 287; 473/4, 10, 14, 29,
473/475, 496; 108/25; D6/396

See application file for complete search history.

(56) **References Cited**

U.S. PATENT DOCUMENTS

D218,106 S *	7/1970	O'Leary	D21/783
3,522,778 A *	8/1970	Porath et al.	108/153.1
3,985,355 A *	10/1976	Shoemaker	473/18
D247,454 S *	3/1978	Salazar	D21/783
4,431,186 A *	2/1984	Gold	473/18
D275,507 S *	9/1984	Kramer et al.	D21/783
4,844,457 A *	7/1989	Webster	473/18

4,948,128 A *	8/1990	Emery et al.	473/17
5,026,082 A *	6/1991	Sipp et al.	280/163
D359,787 S *	6/1995	Cooper	D21/783
D374,471 S *	10/1996	Scott et al.	D21/783
D629,483 S *	12/2010	Davis et al.	D21/783

* cited by examiner

Primary Examiner — Prabhakar Deshmukh

(74) *Attorney, Agent, or Firm* — QuickPatents, Inc.; Kevin Prince

(57) **CLAIM**

I claim the ornamental design for a billiard table, as shown and described.

DESCRIPTION

FIG. 1 is a perspective view of a billiard table, showing my new design;

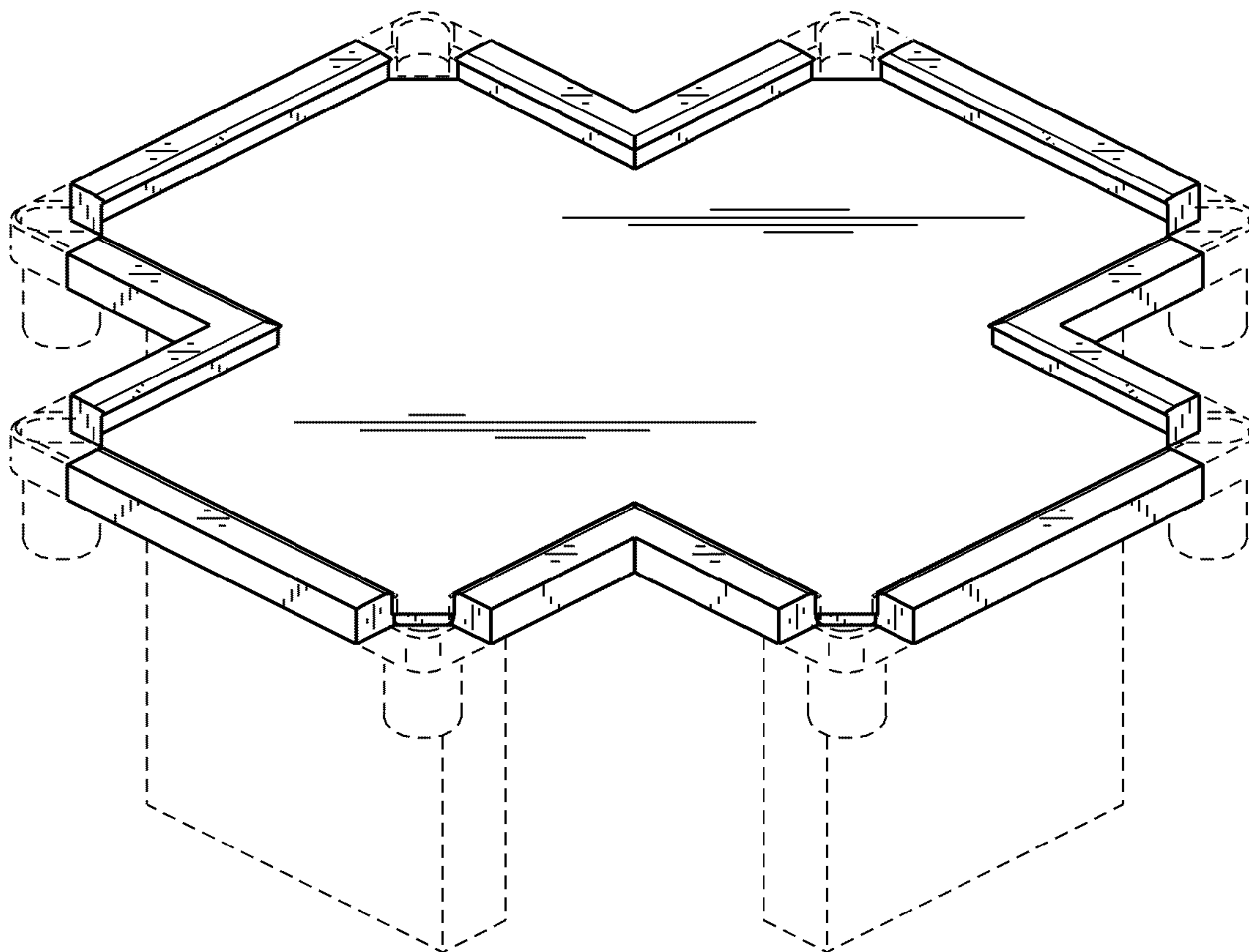
FIG. 2 is a front elevational view thereof, the rear elevational view, left-side elevational view, and right-side elevational view all being a mirror image thereof;

FIG. 3 is a top plan view thereof; and,

FIG. 4 is a bottom plan view thereof.

The broken lines showing billiard pockets and table legs in the figures depict environmental matter and form no part of the claimed design.

1 Claim, 2 Drawing Sheets



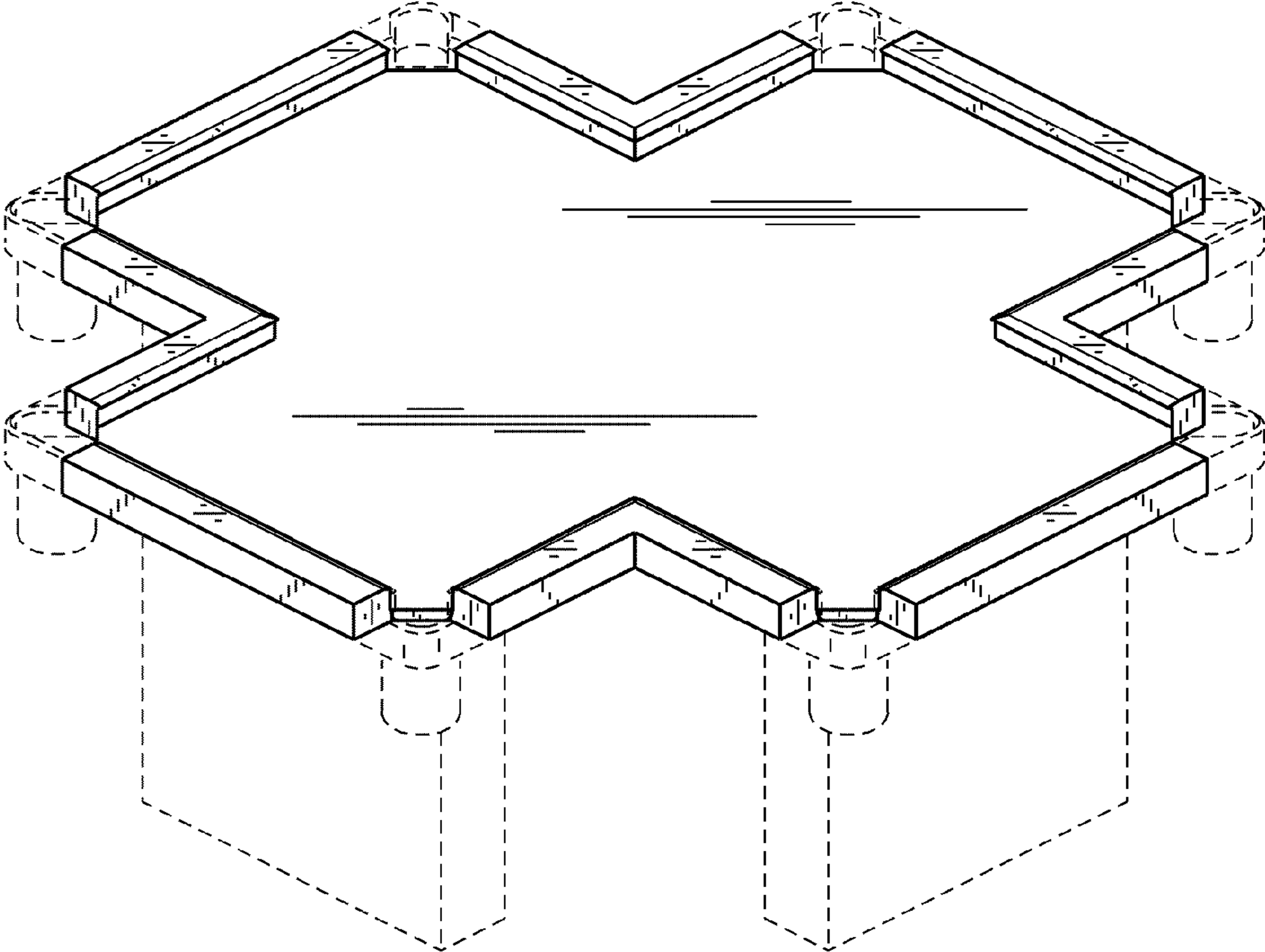


FIG. 1

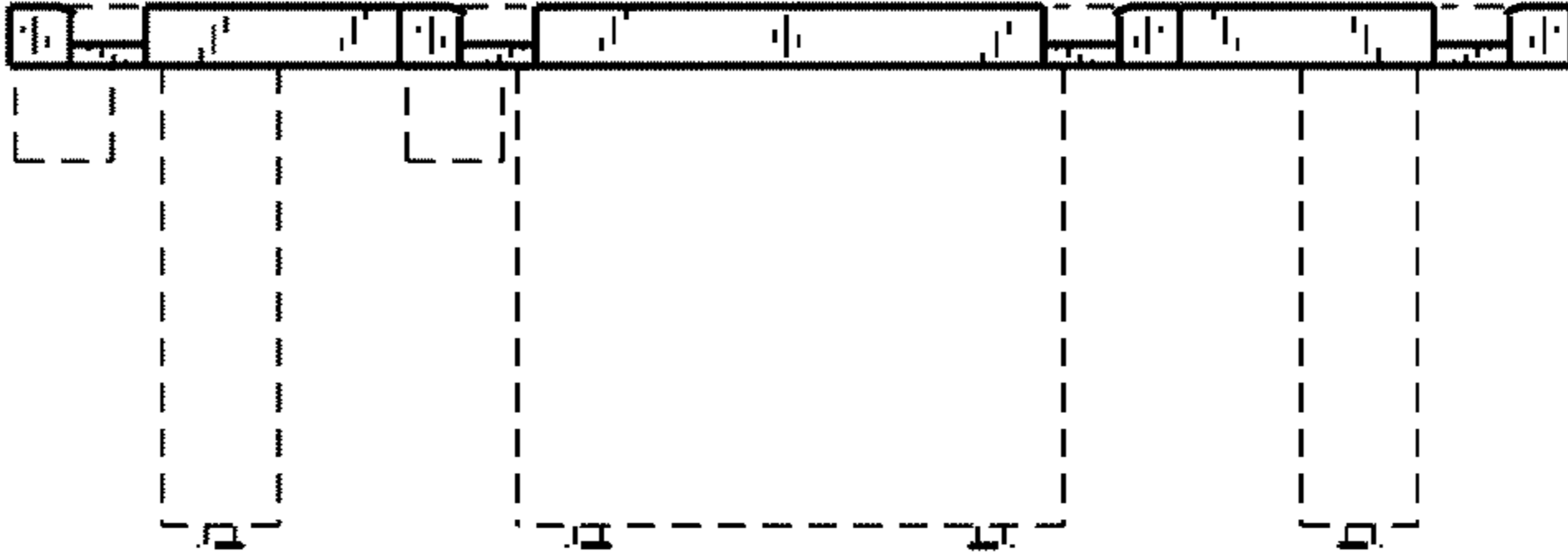


FIG. 2

FIG. 3

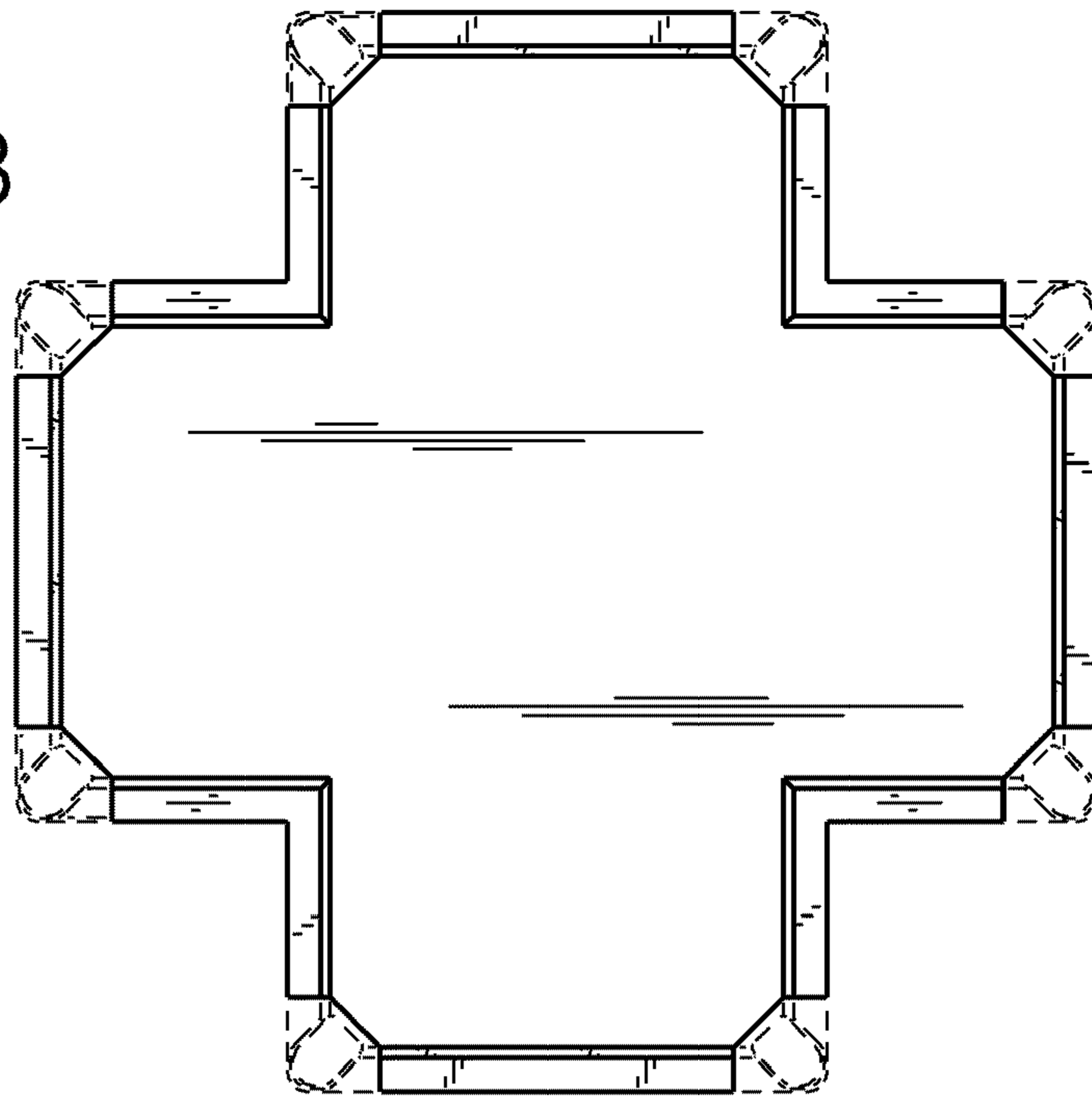


FIG. 4

