



US00D653284S

(12) **United States Design Patent**
Amidon, Jr. et al.

(10) **Patent No.:** **US D653,284 S**
(45) **Date of Patent:** **** Jan. 31, 2012**

(54) **PRINthead FRAME**

(75) Inventors: **Frederick H. Amidon, Jr.**, Cornish, NH
(US); **David A. Brady**, Plainfield, NH
(US)

(73) Assignee: **FUJIFILM Dimatix, Inc.**, Lebanon, NH
(US)

(**) Term: **14 Years**

(21) Appl. No.: **29/339,564**

(22) Filed: **Jul. 2, 2009**

(51) **LOC (9) Cl.** **18-02**

(52) **U.S. Cl.** **D18/56**

(58) **Field of Classification Search** D18/56,
D18/40, 43; 347/86, 87, 20, 40, 49, 42
See application file for complete search history.

(56) **References Cited**

U.S. PATENT DOCUMENTS

4,179,620	A *	12/1979	Agulnek	347/40
4,433,341	A	2/1984	Thomas		
4,527,175	A	7/1985	Kojima et al.		
4,529,445	A	7/1985	Buschow		
4,661,458	A	4/1987	Berry et al.		
4,680,696	A	7/1987	Ebinuma et al.		
4,825,227	A	4/1989	Fischbeck et al.		
4,929,963	A	5/1990	Balazar		
4,937,598	A	6/1990	Hine et al.		
4,940,998	A	7/1990	Asakawa		
5,265,315	A	11/1993	Hoisington et al.		
5,365,843	A	11/1994	House et al.		
5,461,405	A	10/1995	Lehmann et al.		
5,489,930	A	2/1996	Anderson		
5,546,109	A	8/1996	Nakano		
5,610,645	A	3/1997	Moore et al.		
5,646,658	A	7/1997	Thiel et al.		
5,724,082	A	3/1998	Moynihan		
5,751,300	A	5/1998	Cowger et al.		
5,782,184	A	7/1998	Albertalli et al.		
5,831,654	A	11/1998	Colombat		
5,871,292	A	2/1999	Johnson		
5,885,455	A	3/1999	Graus et al.		

5,936,650	A	8/1999	Ouchida et al.		
5,939,816	A	8/1999	Culp		
6,000,792	A	12/1999	Koizumi et al.		
6,068,367	A	5/2000	Fabbri et al.		
6,084,618	A	7/2000	Baker et al.		
6,152,559	A	11/2000	Kojima et al.		
6,217,164	B1	4/2001	Hino		
6,224,709	B1 *	5/2001	Takemoto et al.	347/40
6,227,645	B1 *	5/2001	Takahashi et al.	347/20
6,350,013	B1	2/2002	Scheffelin et al.		

(Continued)

FOREIGN PATENT DOCUMENTS

CN 1980795 A 6/2007

(Continued)

OTHER PUBLICATIONS

Office Action from co-pending Chinese App 200580017004.x dated Dec. 26, 2008.

(Continued)

Primary Examiner — David Muller

(74) *Attorney, Agent, or Firm* — Fish & Richardson P.C.

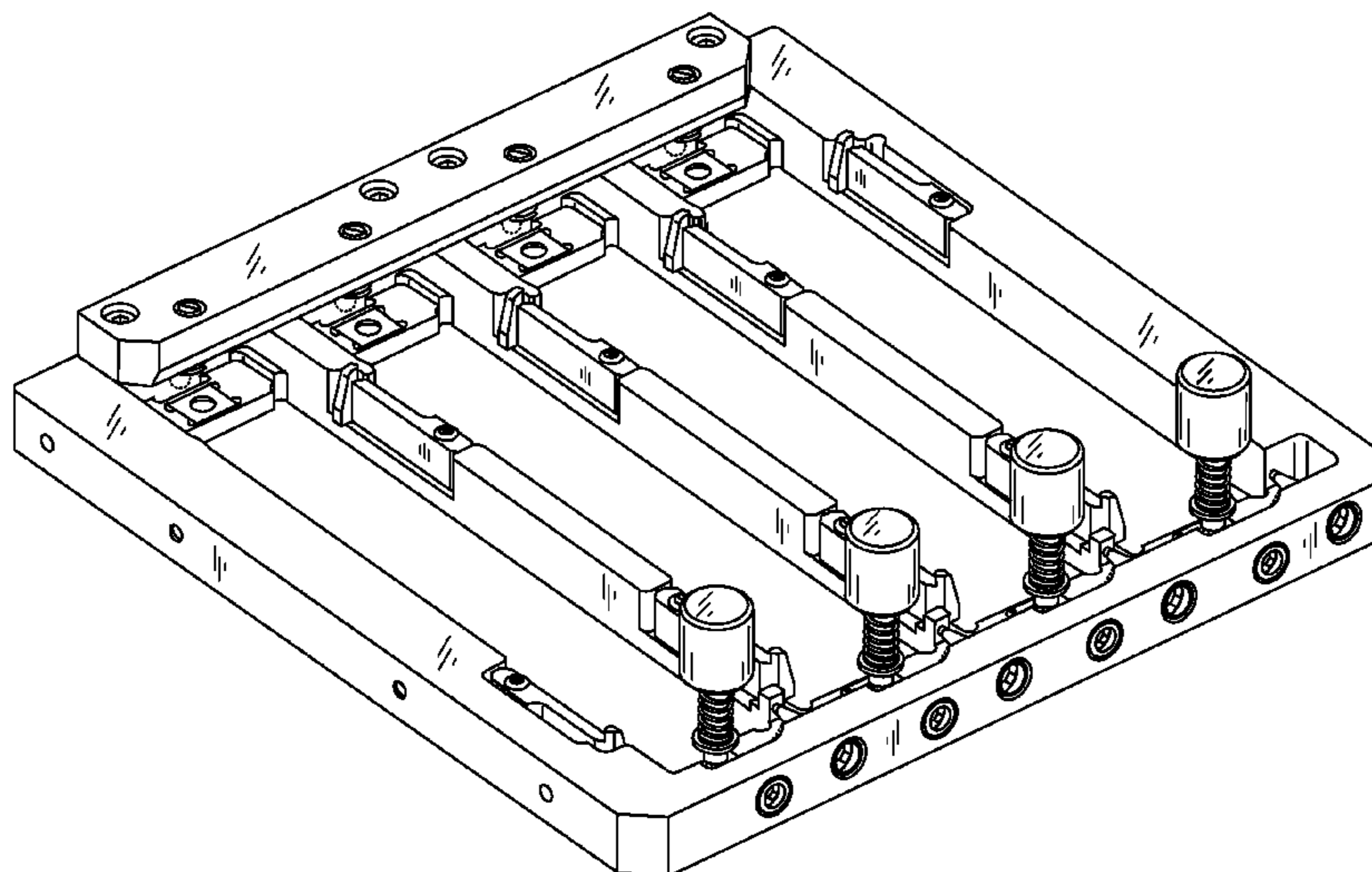
(57) **CLAIM**

The ornamental design for a printhead frame, substantially as shown and described.

DESCRIPTION

FIG. 1 is a perspective view of the printhead frame;
FIG. 2 is a front view;
FIG. 3 is a back view;
FIG. 4 is a right side view;
FIG. 5 is a left side view;
FIG. 6 is a top view; and,
FIG. 7 is a bottom view.
The broken line showing of parts of the drawings is included for the purpose of illustrating use and environment and forms no part of the claimed design.

1 Claim, 5 Drawing Sheets



U.S. PATENT DOCUMENTS

6,382,778	B1 *	5/2002	Iijima et al.	347/86
6,391,193	B1	5/2002	Luka	
6,406,137	B1	6/2002	Okazaki et al.	
6,428,141	B1	8/2002	McElfresh et al.	
6,457,811	B1	10/2002	Pan et al.	
6,467,874	B1	10/2002	Williams et al.	
6,499,823	B2	12/2002	Okazaki et al.	
6,502,921	B2	1/2003	Kanda et al.	
6,554,398	B2	4/2003	Wyngaert et al.	
6,609,778	B2 *	8/2003	Ingham et al.	347/20
6,631,978	B1 *	10/2003	Watanabe et al.	347/49
6,634,742	B2	10/2003	Owaki et al.	
6,652,083	B2	11/2003	Ison et al.	
6,655,786	B1	12/2003	Footte et al.	
6,659,590	B2	12/2003	Silverbrook	
6,672,706	B2	1/2004	Silverbrook	
6,672,707	B2	1/2004	Silverbrook	
6,685,299	B2	2/2004	Hirota	
6,715,863	B2	4/2004	Shimizu	
6,752,493	B2	6/2004	Dowell et al.	
6,796,630	B2	9/2004	Ison et al.	
6,869,167	B2	3/2005	Silverbrook	
7,052,117	B2	5/2006	Bibl et al.	
7,246,888	B2	7/2007	Akahane et al.	
7,322,675	B2	1/2008	Silverbrook	
7,334,886	B2 *	2/2008	Papaiacovou et al.	347/86
7,387,366	B2 *	6/2008	Ingham et al.	347/20
7,413,284	B2	8/2008	Higginson et al.	
7,413,300	B2	8/2008	Von Essen et al.	
7,416,126	B2	8/2008	Wittenberg et al.	
7,427,332	B2 *	9/2008	Takemoto et al.	347/40
7,448,741	B2	11/2008	von Essen	
D588,632	S *	3/2009	Kamimura et al.	D18/40
7,527,347	B2	5/2009	Mukai	
7,566,118	B2	7/2009	Bibl et al.	
D600,744	S	9/2009	Kim	
7,658,460	B2 *	2/2010	Aoki	347/13
7,748,830	B2 *	7/2010	Platt et al.	347/85
D621,871	S	8/2010	Maeshima et al.	
D624,584	S	9/2010	Park et al.	
7,810,902	B2 *	10/2010	Silverbrook	347/42
D626,589	S	11/2010	Domae	
7,824,021	B2	11/2010	Silverbrook	
2002/0024554	A1	2/2002	Tominaga	
2002/0180835	A1	12/2002	Boyd et al.	
2003/0202040	A1	10/2003	Shade	
2003/0227516	A1	12/2003	Yamaguchi et al.	
2003/0234845	A1	12/2003	Tominaga et al.	
2004/0021735	A1	2/2004	Horii et al.	
2004/0224102	A1	11/2004	Ebihara	
2005/0157073	A1	7/2005	Silverbrook et al.	
2005/0270329	A1	12/2005	Hoisington et al.	
2005/0280678	A1	12/2005	Bibl et al.	
2006/0250493	A1	11/2006	Silverbrook et al.	
2008/0211872	A1	9/2008	Hoisington et al.	

FOREIGN PATENT DOCUMENTS

CN	1984780	A	6/2007
CN	1997521	A	7/2007
EP	0 383 558		8/1990
EP	0666177		8/1995
EP	1186416		3/2002

EP	1238813		9/2002
EP	1258354	A2	11/2002
EP	1 336 486		8/2003
JP	S61-205154		9/1986
JP	07017050		1/1995
JP	H07-186386		7/1995
JP	H11-277734		10/1999
JP	2001-260366		9/2001
JP	2002-067343		5/2002
JP	2003-502879		1/2003
JP	2003127385		5/2003
JP	2001511058		4/2007
JP	2007-535434		12/2007
JP	2007535431		12/2007
JP	2007535433		12/2007
KR	2007-0007379		1/2007
KR	20070007202		1/2007
KR	20070012846		1/2007
WO	2005/108095		11/2005
WO	2005108094		11/2005
WO	2005108097	A	11/2005

OTHER PUBLICATIONS

International Preliminary Report on Patentability from International Application No. PCTUS2005/015028 dated Nov. 9, 2006.
 International Search Report for PCT/US2005/015028, Dec. 6, 2005.
 Office Action from co-pending Chinese Application No. 2005800201298 dated Apr. 24, 2009.
 International Preliminary Report on Patentability from International Application No. PCT/US2005/14952 dated Nov. 9, 2006.
 International Search Report for PCT/US2005/14952 dated Aug. 22, 2005.
 International Preliminary Report on Patentability from International Application No. PCTUS2005/014999 dated Nov. 9, 2006.
 International Search Report for PCT/US2005/014999, Oct. 6, 2005.
 Office Action from Chinese Application No. 200580019821.9 dated Sep. 12, 2008.
 U.S. Appl. No. 12/496,874, filed Jul. 2, 2009.
 U.S. Appl. No. 29/339,562, filed Jul. 2, 2009.
 Office Action from Chinese Application No. 200580019821.9 dated Oct. 23, 2009, 8 pages.
 Office Action from European Application No. 05745034.8 dated Nov. 19, 2009, 3 pages.
 Office Action dated Jan. 22, 2010 from co-pending Chinese application No. 200580017004.x.
 Office Action dated Jan. 8, 2010 from co-pending Chinese application No. 2005800201298.
 Office Action dated Nov. 19, 2009 from co-pending European application No. 05745034.8.
 Office Action dated Jun. 2, 2010 from co-pending Chinese application No. 2005800201298.
 Office Action dated Feb. 26, 2010 from co-pending European application No. 05745124.7.
 International Search Report from corresponding PCT application No. PCT/US2005/014999, mailed Oct. 5, 2006.
 International Search Report from corresponding PCT application No. PCT/US2005/015028, mailed Dec. 6, 2005.
 Office Action dated Aug. 3, 2010 from co-pending Japanese application No. 2007-511048.

* cited by examiner

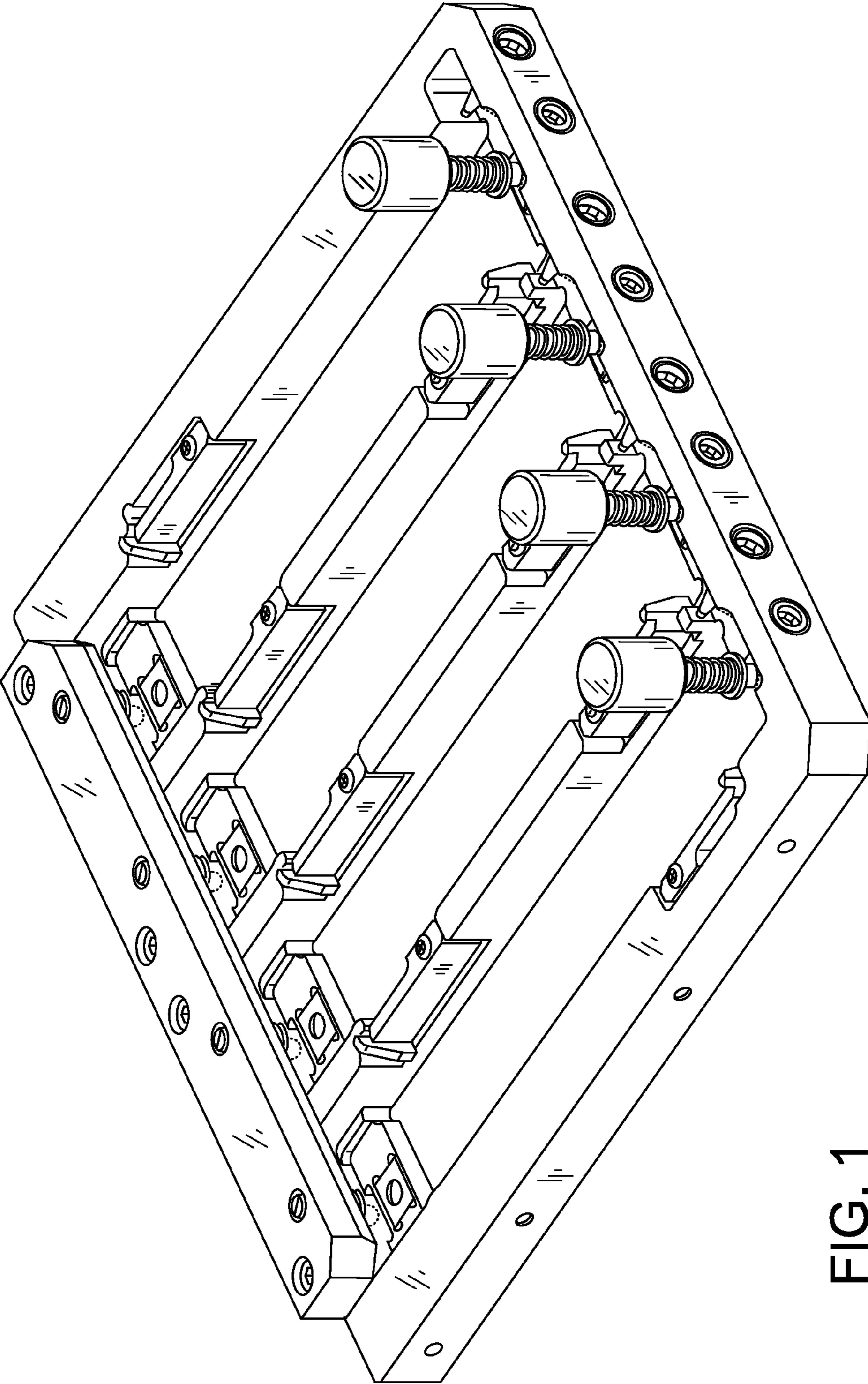


FIG. 1

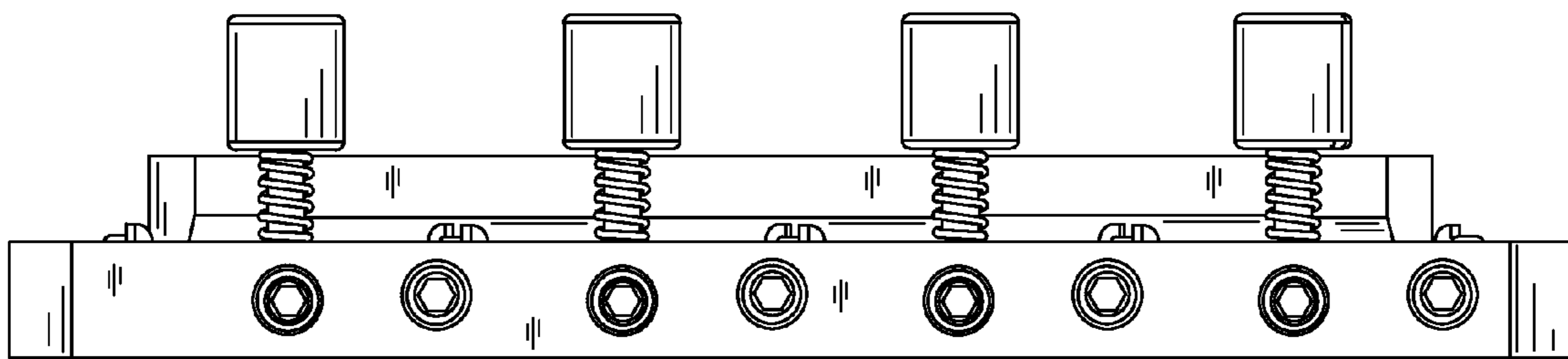


FIG. 2

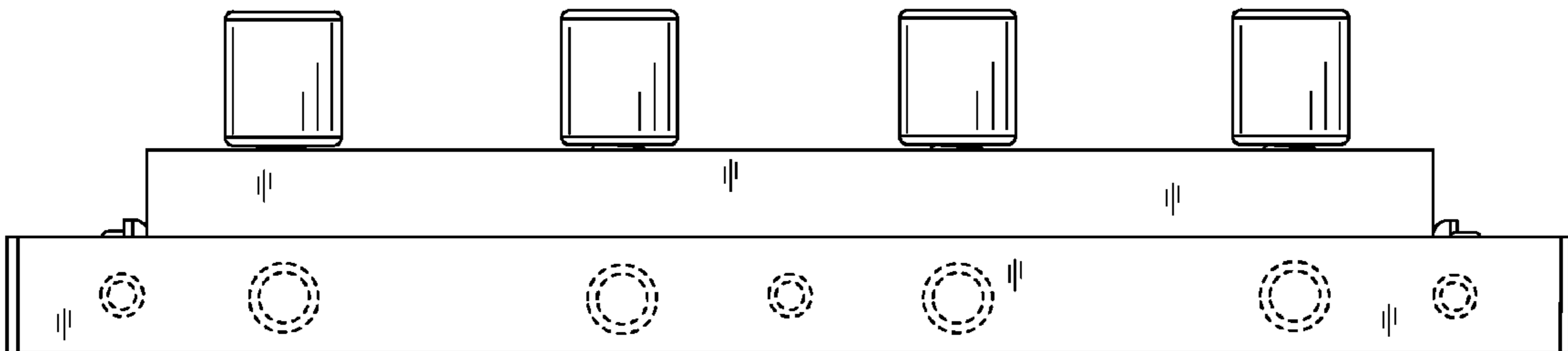


FIG. 3

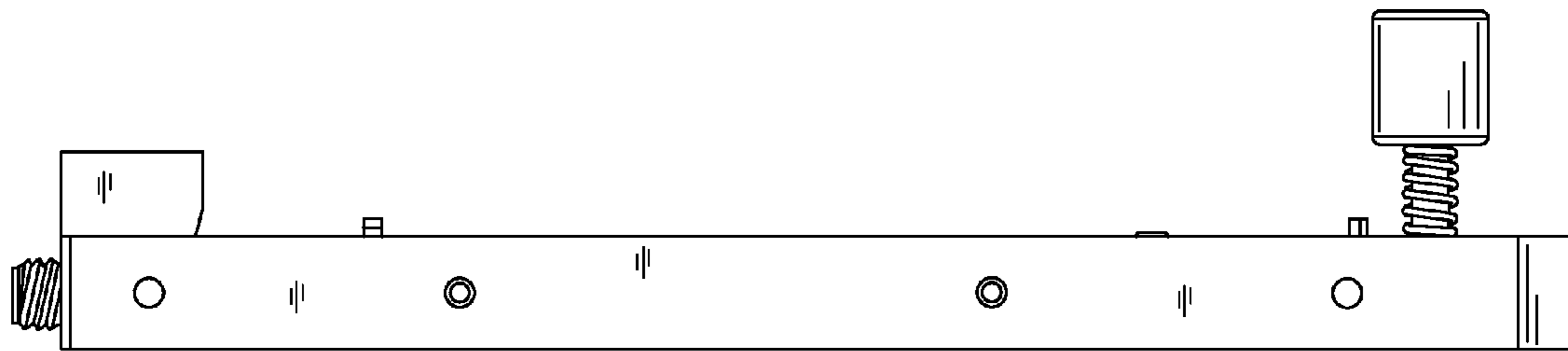


FIG. 4



FIG. 5

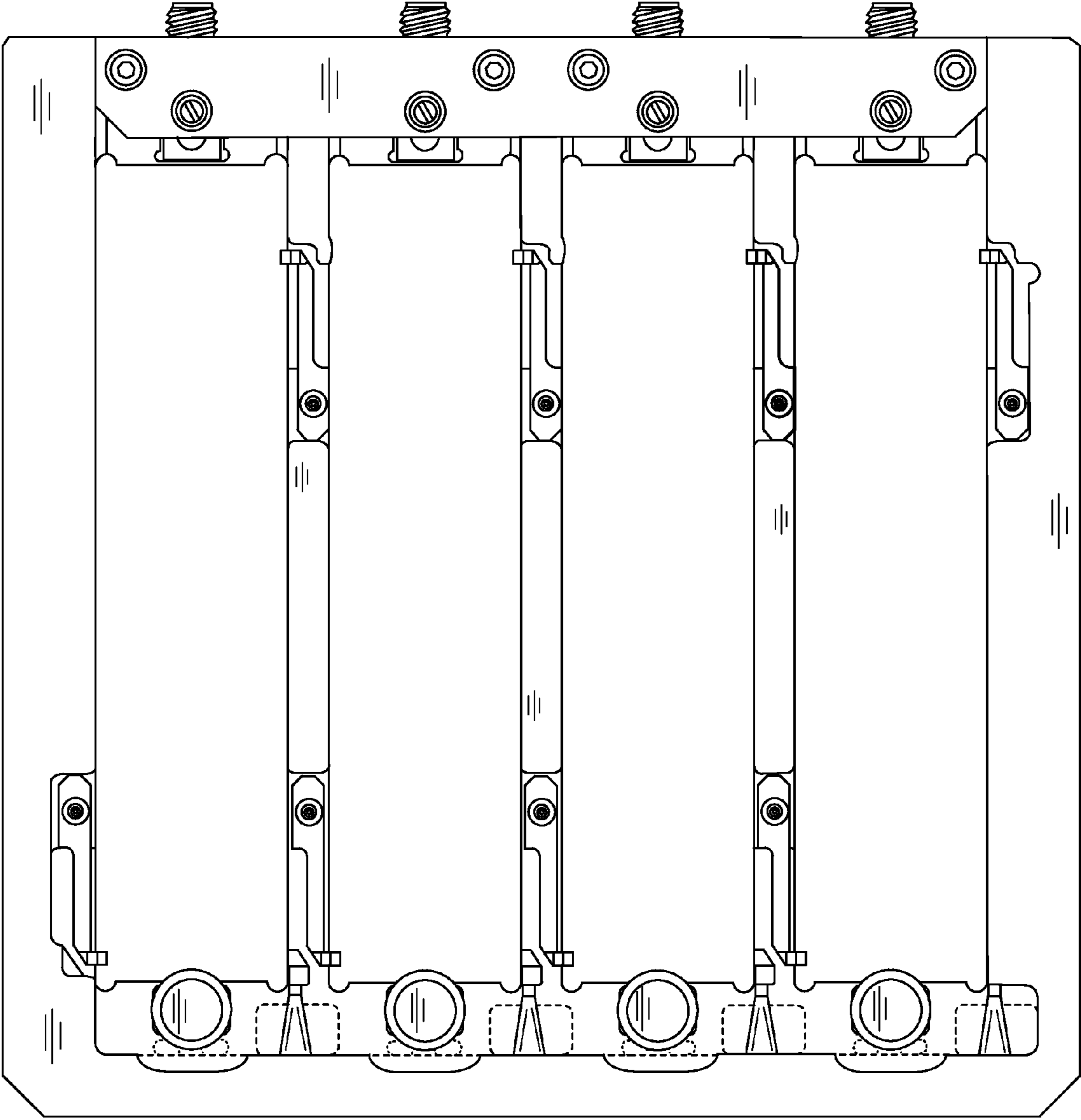


FIG. 6

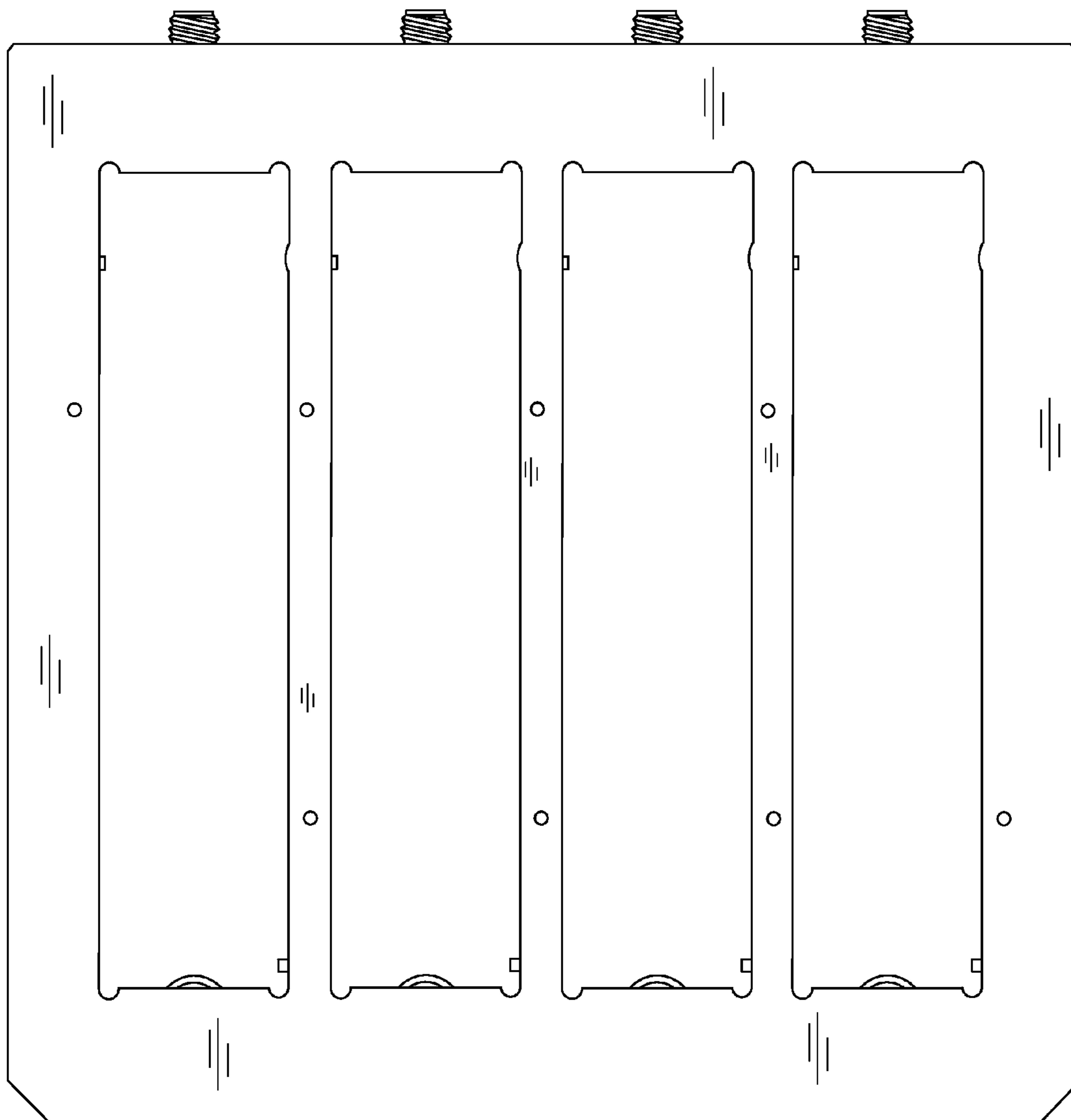


FIG. 7