



US00D653281S

(12) **United States Design Patent**  
**Shih**

(10) **Patent No.:** **US D653,281 S**  
(45) **Date of Patent:** **\*\* Jan. 31, 2012**

(54) **CAP FOR A STAMP**

(75) Inventor: **Hsu-Shen Shih, Yuan Kang (TW)**

(73) Assignee: **Sun Same Enterprises Co., Ltd., Yuan Kang (TW)**

(\*\*) Term: **14 Years**

(21) Appl. No.: **29/375,014**

(22) Filed: **Sep. 16, 2010**

(51) **LOC (9) Cl.** ..... **19-02**

(52) **U.S. Cl.** ..... **D18/18; D9/454**

(58) **Field of Classification Search** ..... D18/14,  
D18/15-21, 50, 51, 36; 400/88; 118/264,  
118/268; 101/333, 334, 327, 328, 405, 406,  
101/287; 347/109; 358/1.18; D9/438, 452,  
D9/454, 443; D23/260; 215/216

See application file for complete search history.

(56) **References Cited**

**U.S. PATENT DOCUMENTS**

|           |      |         |              |       |         |
|-----------|------|---------|--------------|-------|---------|
| 3,405,830 | A *  | 10/1968 | Hayashida    | ..... | 215/256 |
| D280,643  | S *  | 9/1985  | Ichikawa     | ..... | D18/15  |
| D280,644  | S *  | 9/1985  | Ichikawa     | ..... | D18/15  |
| 4,570,810 | A *  | 2/1986  | Hawkins      | ..... | 215/253 |
| 4,752,014 | A *  | 6/1988  | House et al. | ..... | 215/216 |
| 4,996,921 | A *  | 3/1991  | Hong         | ..... | 101/333 |
| D329,809  | S *  | 9/1992  | Bloomfield   | ..... | D9/443  |
| D421,909  | S *  | 3/2000  | Opresco      | ..... | D9/443  |
| 6,253,673 | B1 * | 7/2001  | Chen         | ..... | 101/98  |
| D446,542  | S *  | 8/2001  | Suto         | ..... | D18/18  |
| 6,302,022 | B1 * | 10/2001 | Shih         | ..... | 101/379 |
| D468,002  | S *  | 12/2002 | Steffan      | ..... | D23/260 |
| D473,935  | S *  | 4/2003  | Braun        | ..... | D23/260 |

|              |      |         |                 |       |         |
|--------------|------|---------|-----------------|-------|---------|
| D478,930     | S *  | 8/2003  | Zambelli et al. | ..... | D18/15  |
| 6,892,638    | B2 * | 5/2005  | Sculler         | ..... | 101/333 |
| D511,456     | S *  | 11/2005 | Forte           | ..... | D9/443  |
| 7,021,211    | B1 * | 4/2006  | Shih            | ..... | 101/405 |
| 7,024,994    | B2 * | 4/2006  | Dour            | ..... | 101/333 |
| D580,479     | S *  | 11/2008 | Hanazato        | ..... | D18/15  |
| D612,020     | S *  | 3/2010  | Ward            | ..... | D23/262 |
| D628,234     | S *  | 11/2010 | Shih            | ..... | D18/18  |
| D630,677     | S *  | 1/2011  | Shih            | ..... | D18/18  |
| 7,921,772    | B2 * | 4/2011  | Shih            | ..... | 101/334 |
| 2004/0250719 | A1 * | 12/2004 | Sculler         | ..... | 101/333 |
| 2009/0229482 | A1 * | 9/2009  | Shih            | ..... | 101/334 |

\* cited by examiner

*Primary Examiner* — Jeffrey D Asch

(74) *Attorney, Agent, or Firm* — Apex Juris, pllc; Tracy M. Helms

(57) **CLAIM**

The ornamental design for a cap for a stamp, as shown and described.

**DESCRIPTION**

FIG. 1 is a perspective view of a cap for a stamp, showing my new design;

FIG. 2 is a front view thereof;

FIG. 3 is a rear view thereof;

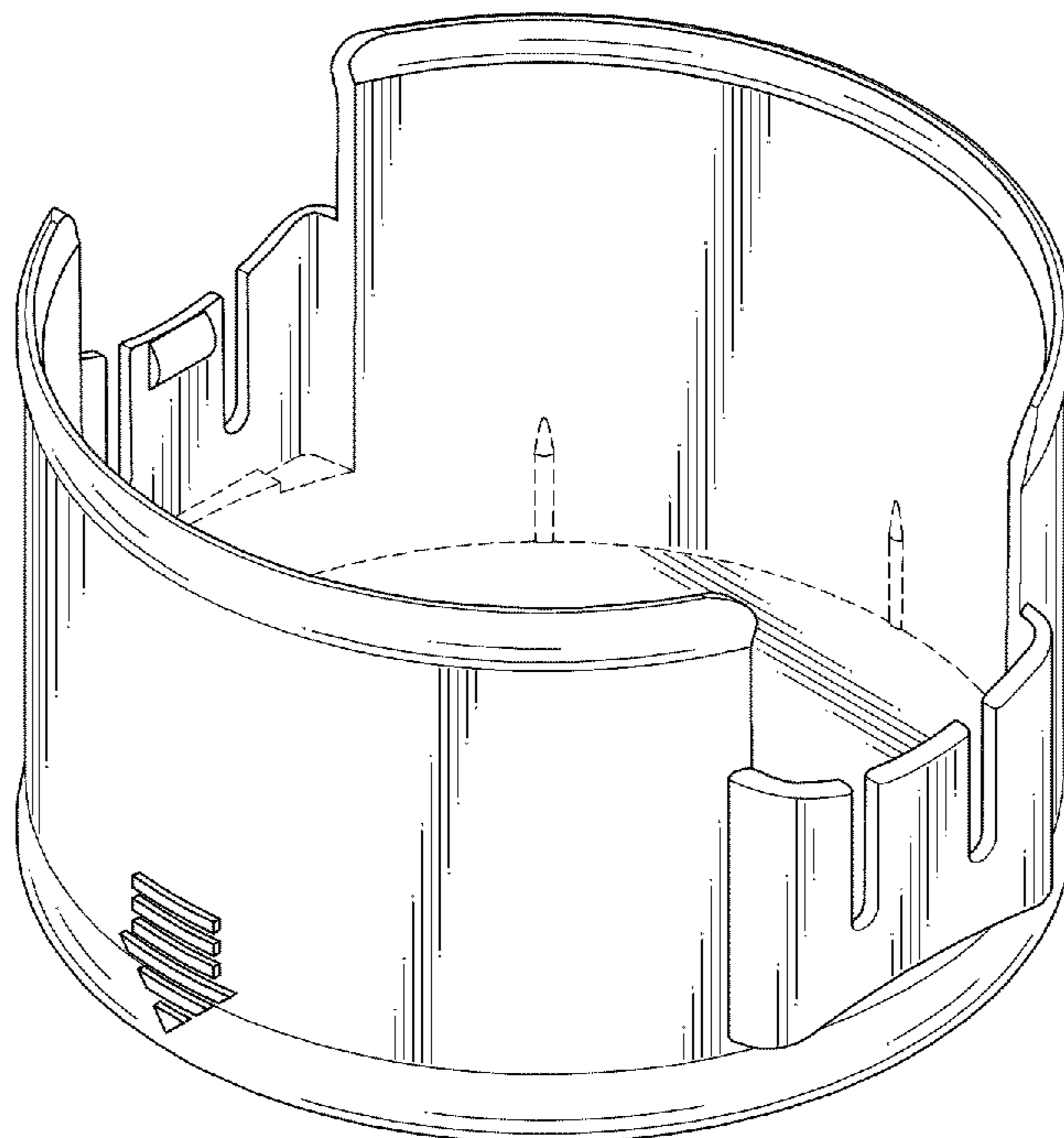
FIG. 4 is a left view thereof;

FIG. 5 is a right view thereof; and,

FIG. 6 is a top view thereof.

The broken lines in the figures that are immediately adjacent to the shaded areas, and define unshaded regions, represent the bounds of the claimed design, while all other broken lines are directed to environment and are for illustrative purposes only; the broken lines form no part of the claimed design.

**1 Claim, 4 Drawing Sheets**



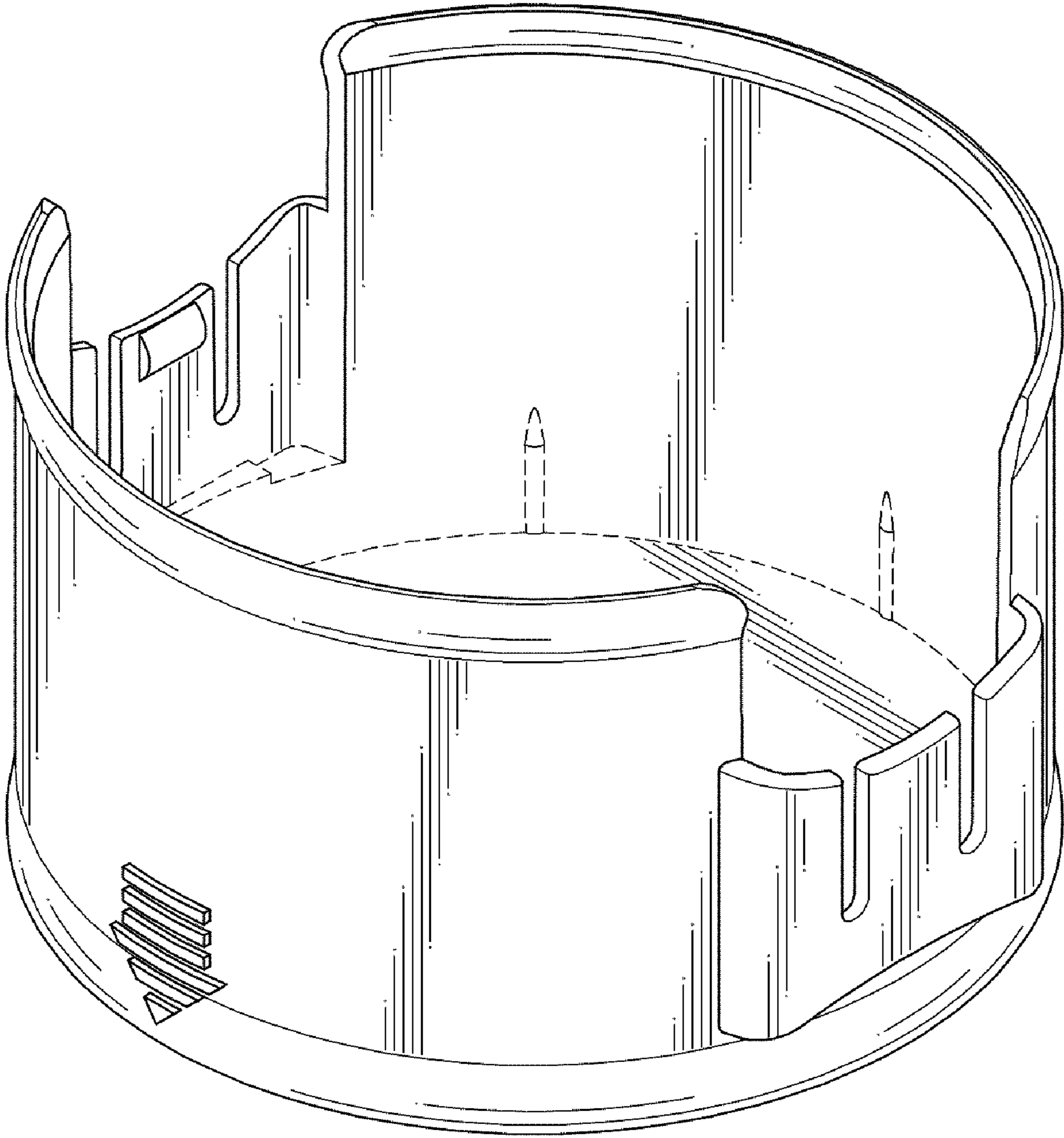


FIG. 1

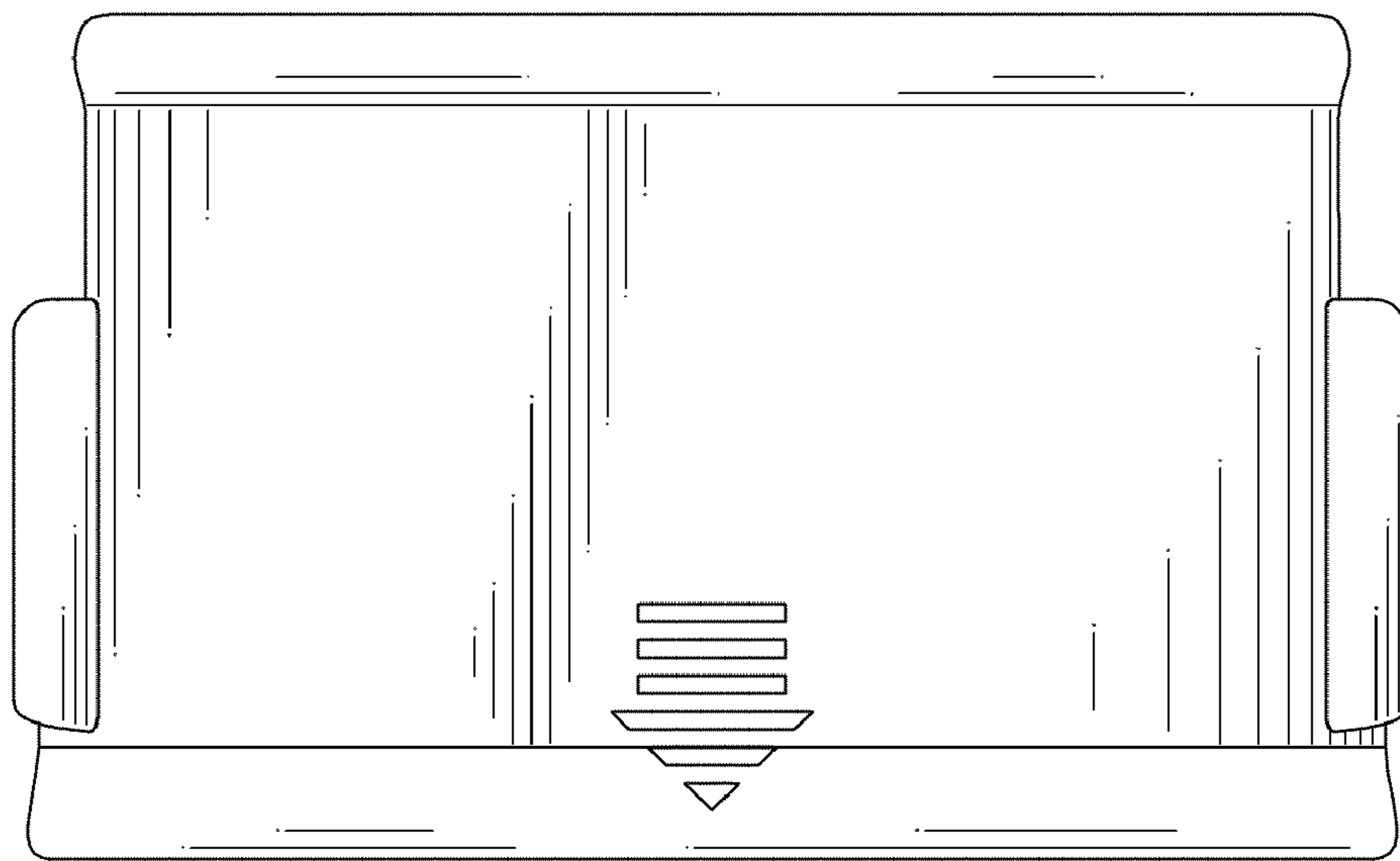


FIG. 2

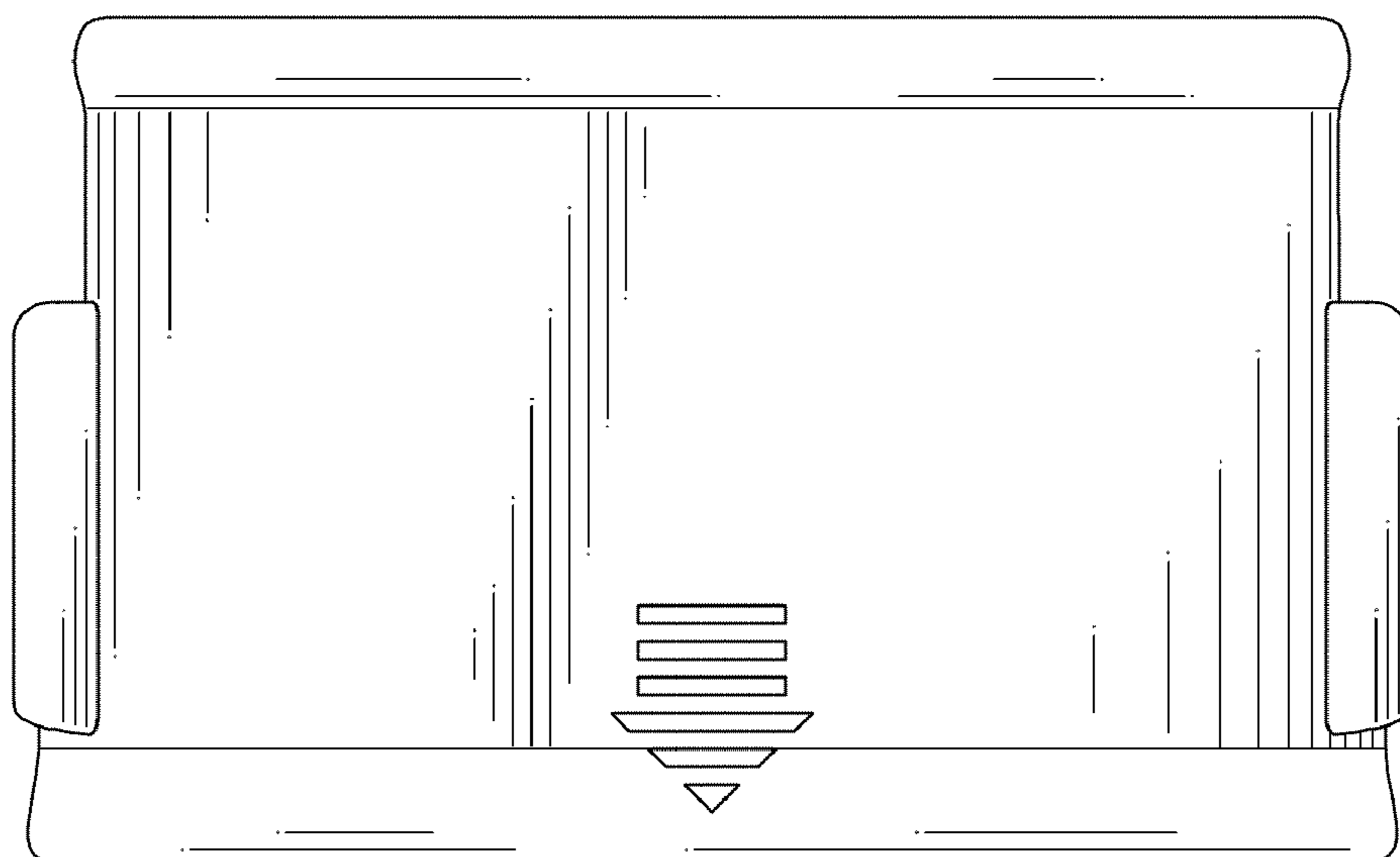


FIG. 3

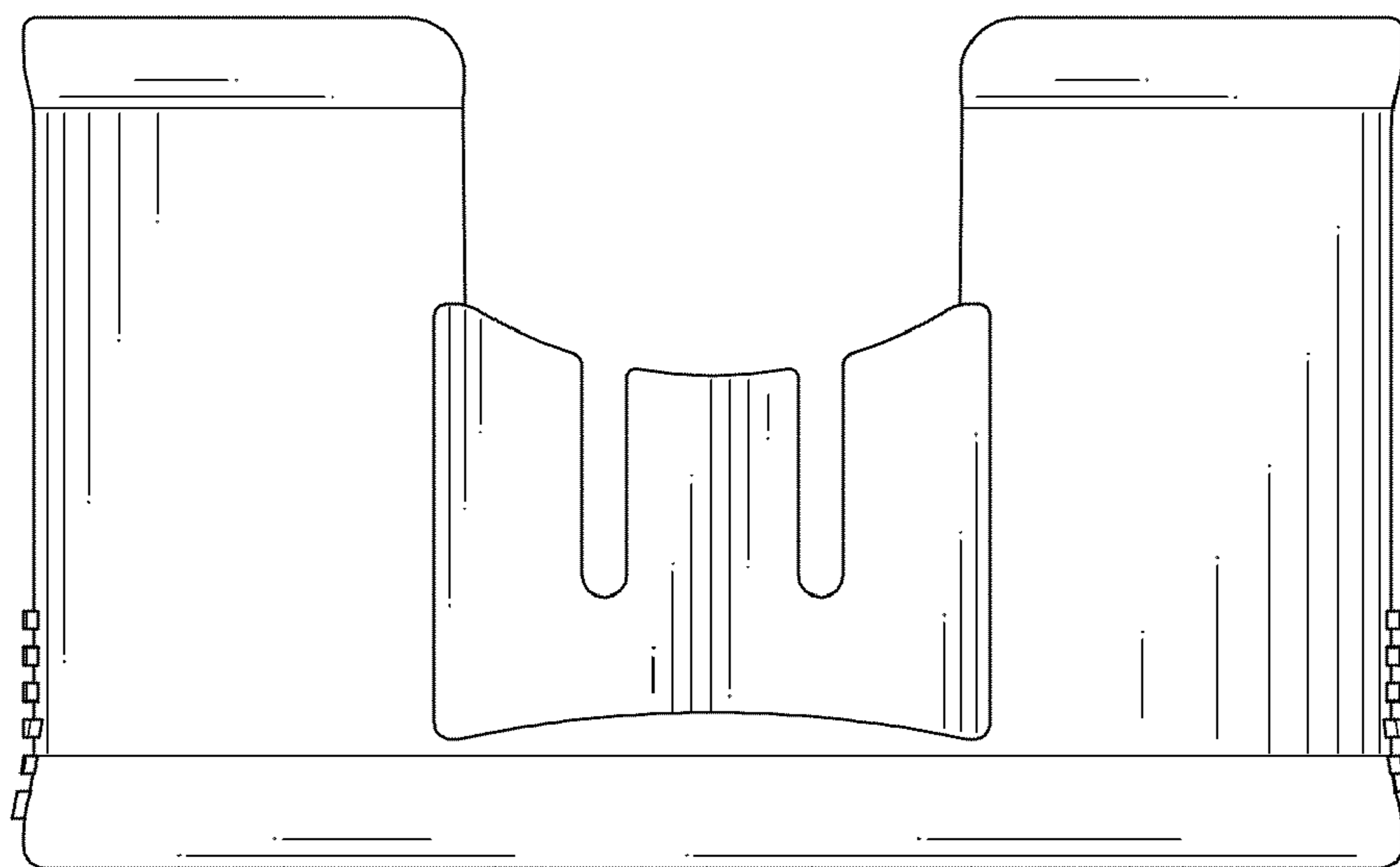


FIG. 4

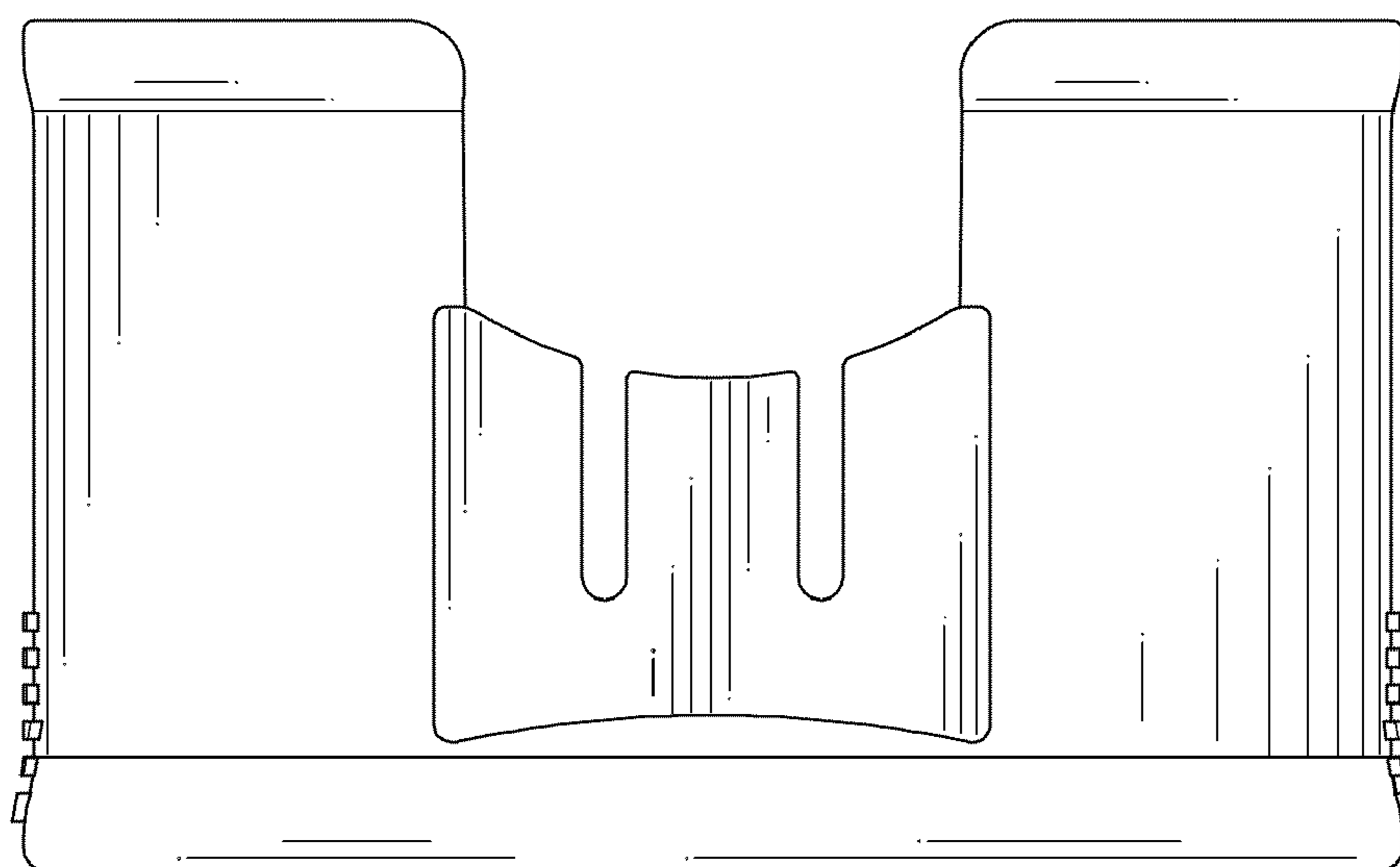


FIG. 5

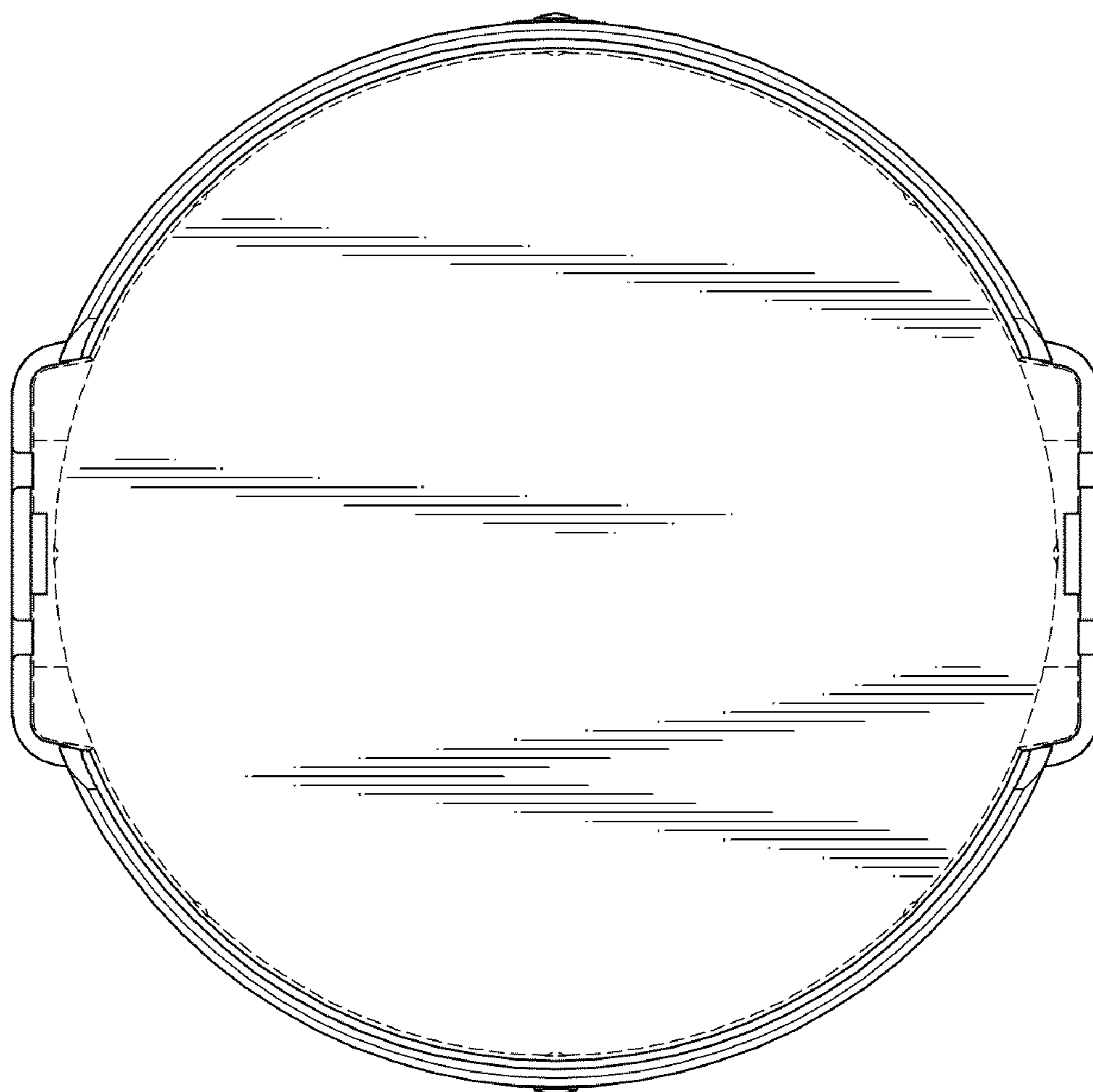


FIG. 6