



US00D653277S

(12) **United States Design Patent**
Katsuraku et al.

(10) **Patent No.:** **US D653,277 S**
(45) **Date of Patent:** **** Jan. 31, 2012**

(54) **CAMERA**

(75) Inventors: **Junko Katsuraku**, Tokyo (JP); **Miho Akita**, Tokyo (JP)

(73) Assignee: **Sony Corporation**, Tokyo (JP)

(**) Term: **14 Years**

(21) Appl. No.: **29/347,555**

(22) Filed: **Mar. 3, 2010**

(51) **LOC (9) Cl.** **16-05**

(52) **U.S. Cl.** **D16/219**

(58) **Field of Classification Search** D16/200–204,
D16/208, 218, 219; 348/373–376; 358/909.1;
396/6, 535–541

See application file for complete search history.

(56) **References Cited**

U.S. PATENT DOCUMENTS

D508,711 S	8/2005	Suzuki	
D519,539 S	4/2006	Takagi	
D521,038 S	5/2006	Takagi	
D521,043 S	5/2006	Takagi	
D538,832 S *	3/2007	Nakamura	D16/219
D540,365 S *	4/2007	Sakai	D16/202
D557,724 S *	12/2007	Katayama	D16/219
D561,225 S *	2/2008	Miyahara	D16/219
D566,153 S	4/2008	Katsuraku	
D574,029 S	7/2008	Yamagishi	
D582,463 S	12/2008	Yamagishi	
D582,956 S *	12/2008	Imai	D16/219
D584,326 S *	1/2009	Hayashi	D16/219
D586,838 S *	2/2009	Tainaka	D16/219
D630,662 S *	1/2011	Miyashita	D16/219

FOREIGN PATENT DOCUMENTS

JP	D1194317 S	1/2004
JP	D1232032 S	3/2005
JP	D1305554 S	7/2007
JP	D1320147 S	1/2008

OTHER PUBLICATIONS

Web page, “US090276 Samsung PL55”, http://www.samsungcameracorder.co.uk/series/17/point_and_shoot/camera/78/pl55.html, 4 sheets, Samsung, 2010.

* cited by examiner

Primary Examiner — Adir Aronovich

(74) *Attorney, Agent, or Firm* — Rader, Fishman & Grauer PLLC

(57) **CLAIM**

The ornamental design for a camera, as shown and described.

DESCRIPTION

FIG. 1 is a perspective view of a camera showing our new design;

FIG. 2 is a front elevational view thereof;

FIG. 3 is a rear elevational view thereof;

FIG. 4 is a left side elevational view thereof;

FIG. 5 is a right side elevational view thereof; and

FIG. 6 is a top plan view thereof.

FIG. 7 is a perspective view of another embodiment of a camera showing our new design;

FIG. 8 is a front elevational view thereof;

FIG. 9 is a rear elevational view thereof;

FIG. 10 is a left side elevational view thereof;

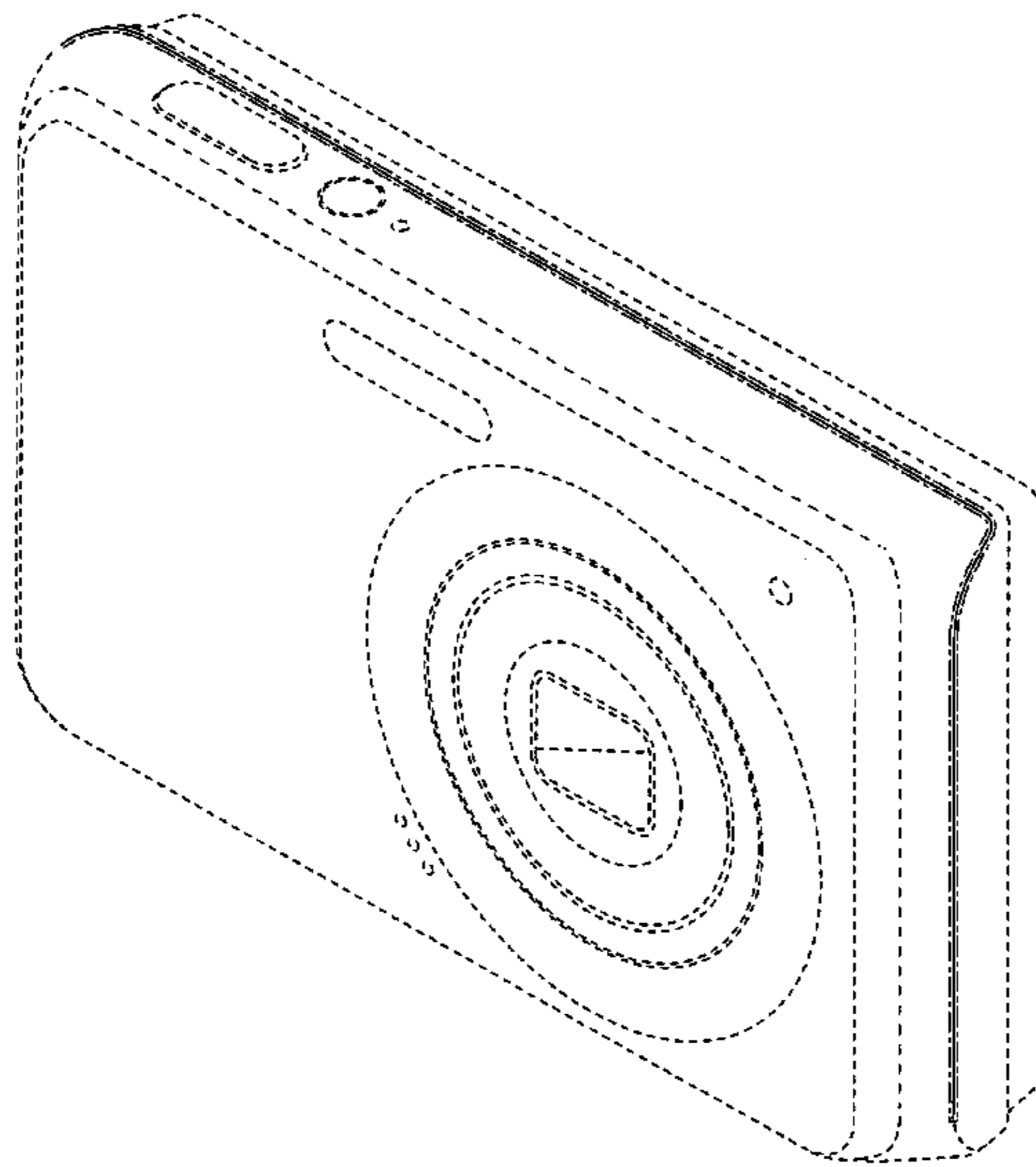
FIG. 11 is a right side elevational view thereof; and,

FIG. 12 is a top plan view thereof.

Portions in broken lines are for illustrative purposes only and form no part of claimed design. Dot-dash broken lines define the boundaries of, but not included in, the claimed design.

The dash-dot broken lines around the claimed subject matter which define the bounds of the claimed design form no part thereof.

1 Claim, 10 Drawing Sheets



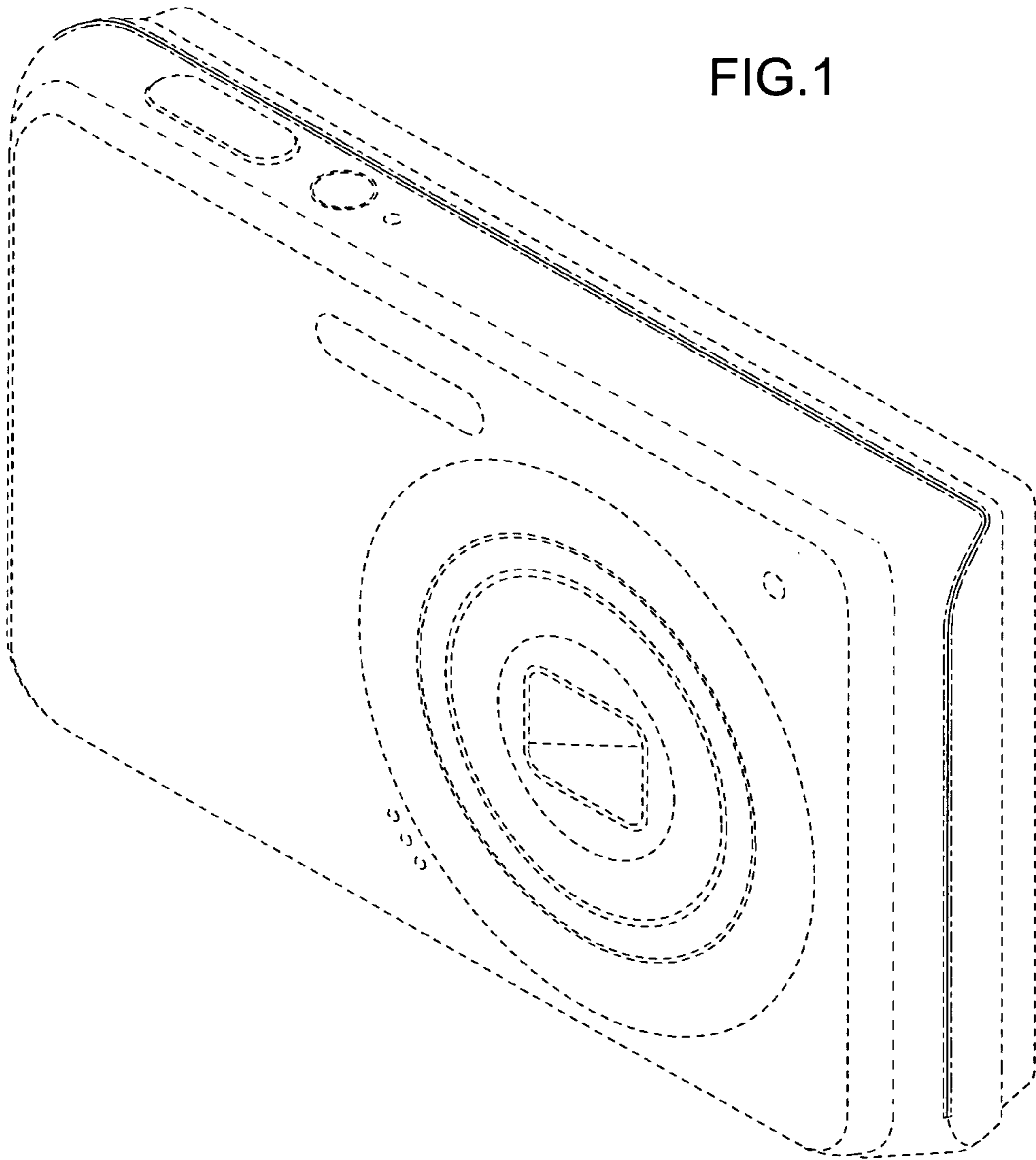


FIG.2

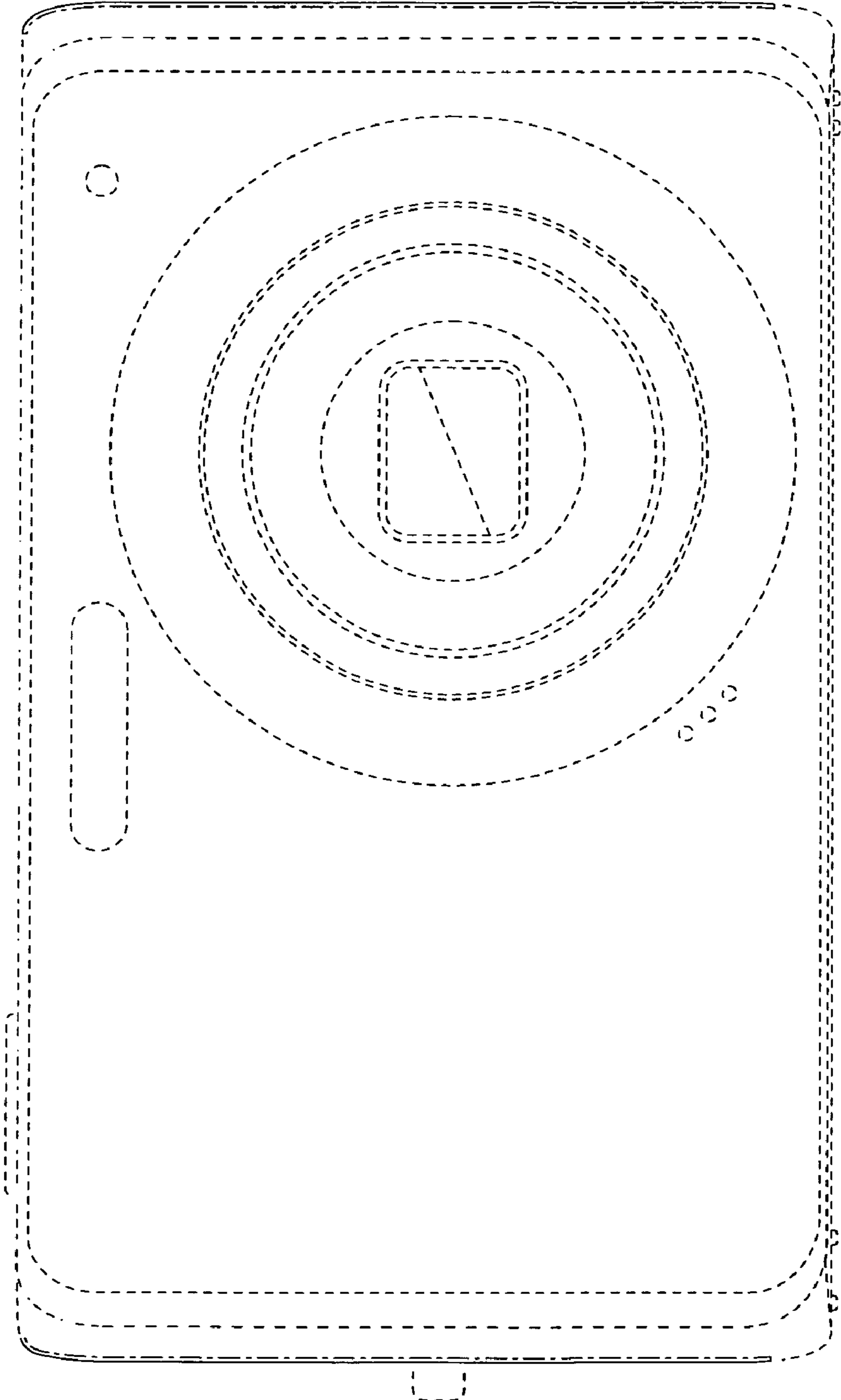


FIG.3

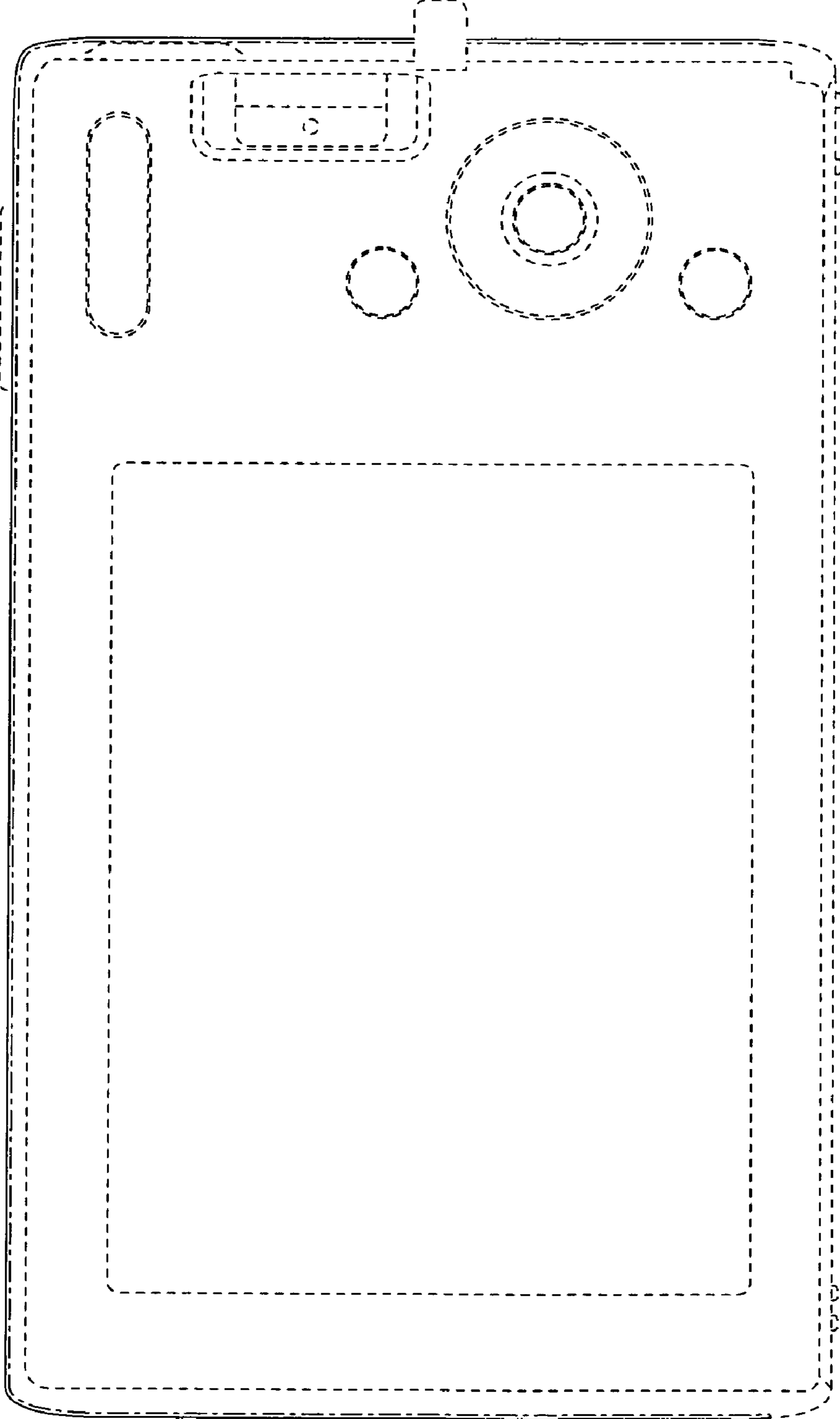


FIG.5

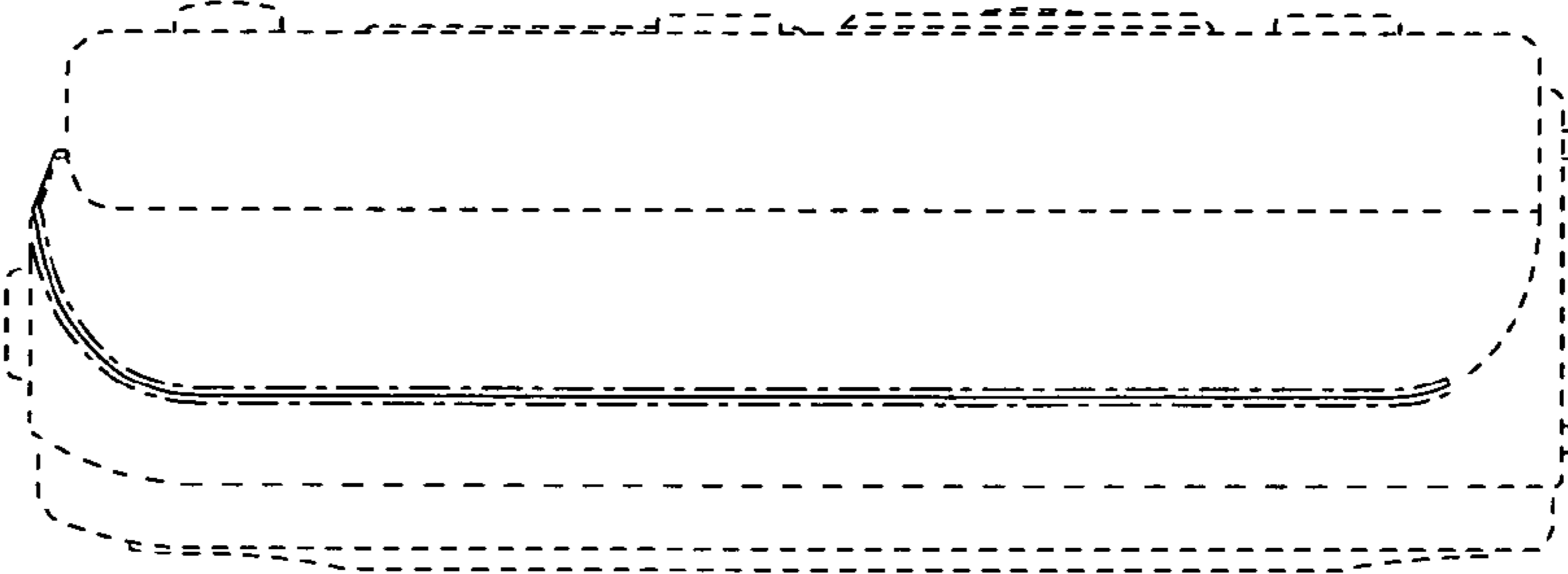


FIG.4

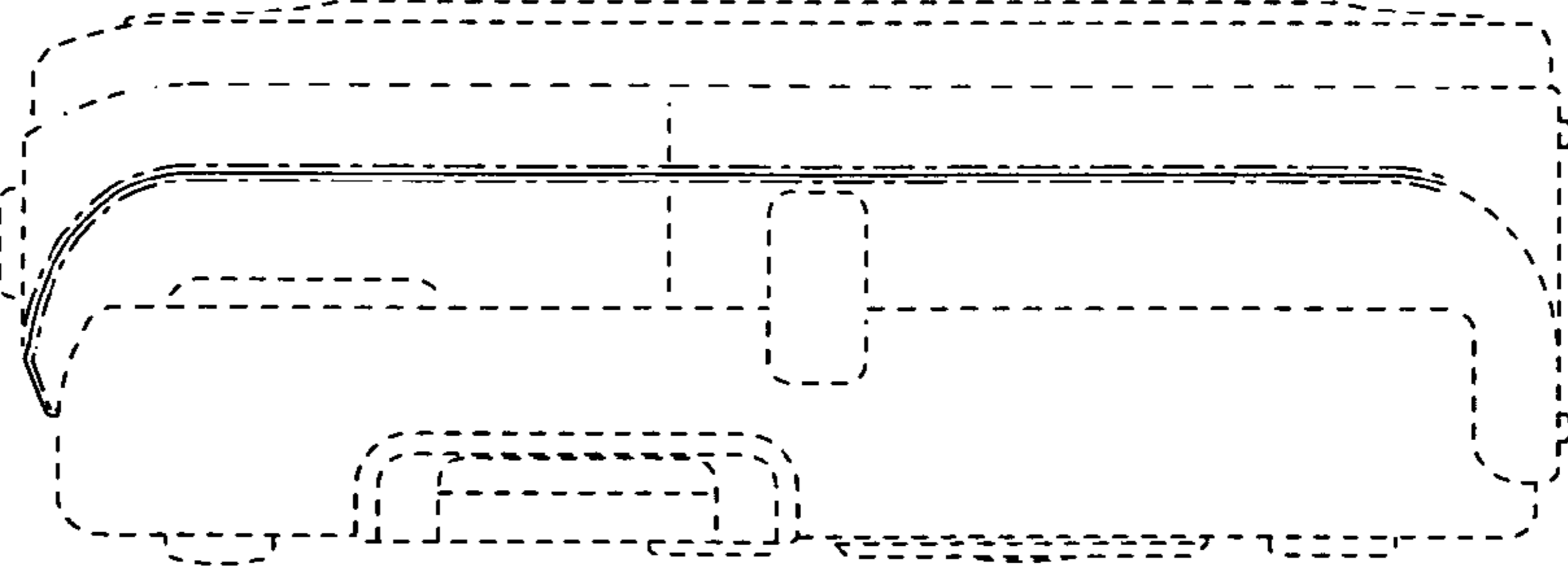
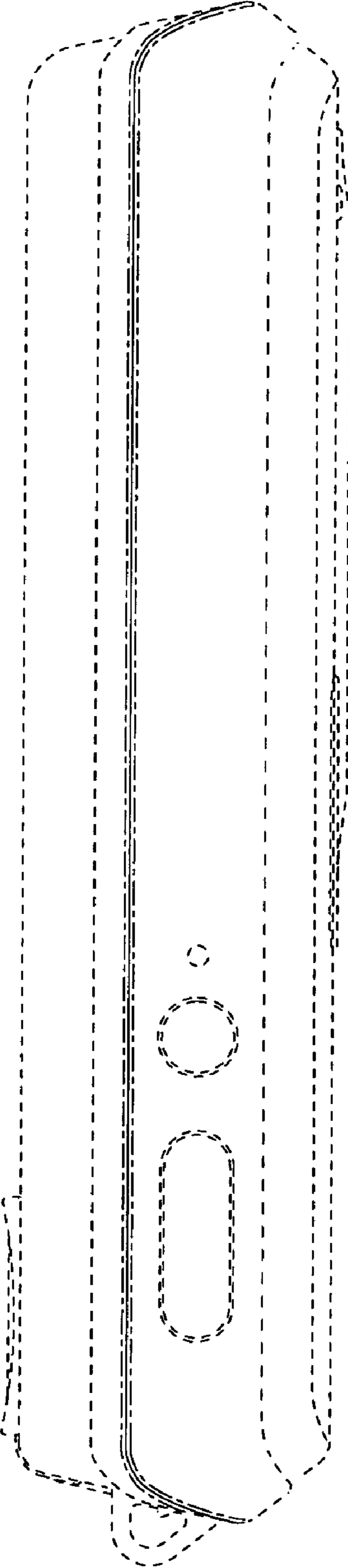


FIG.6



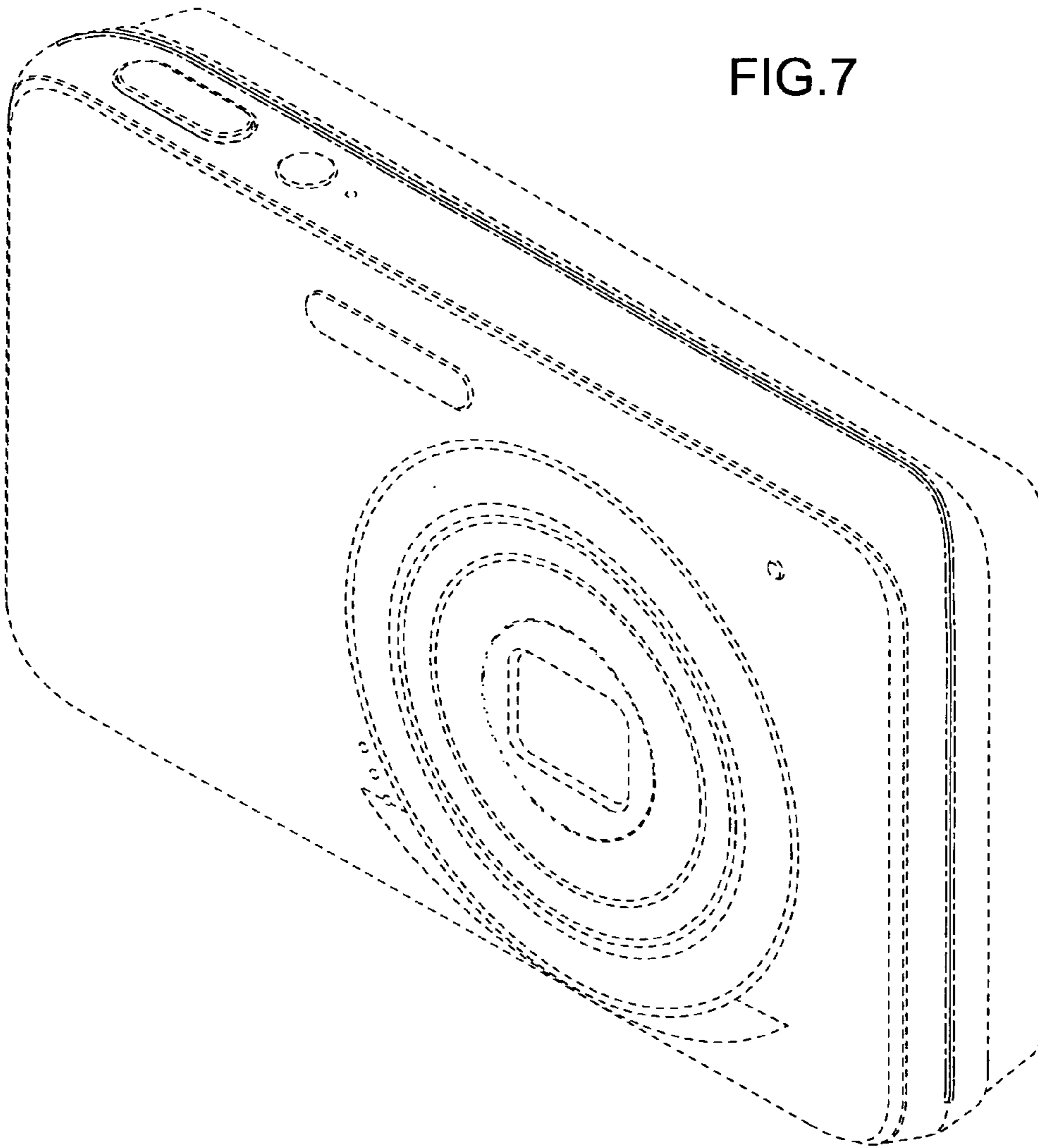


FIG. 7

FIG.8

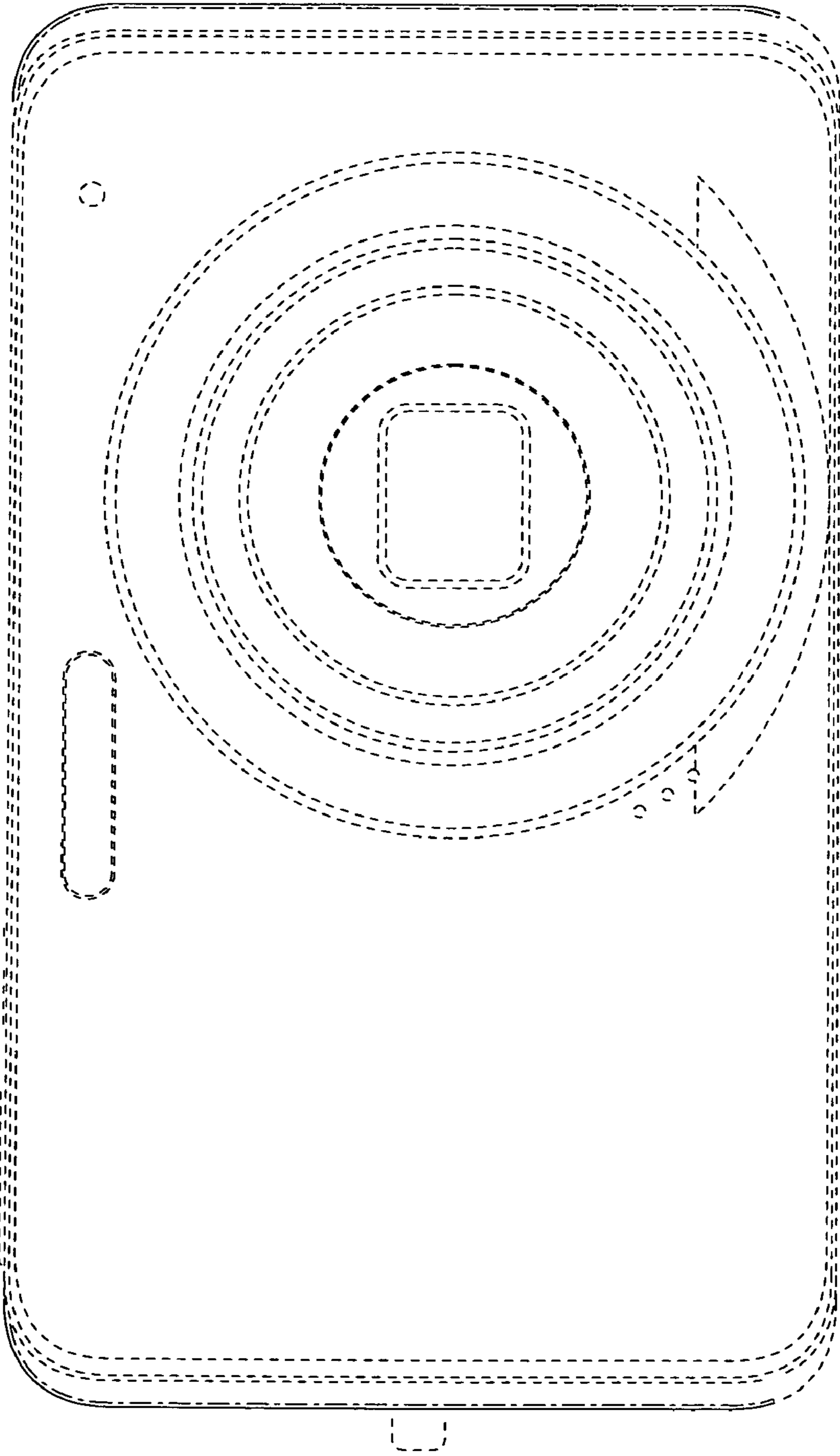


FIG. 9

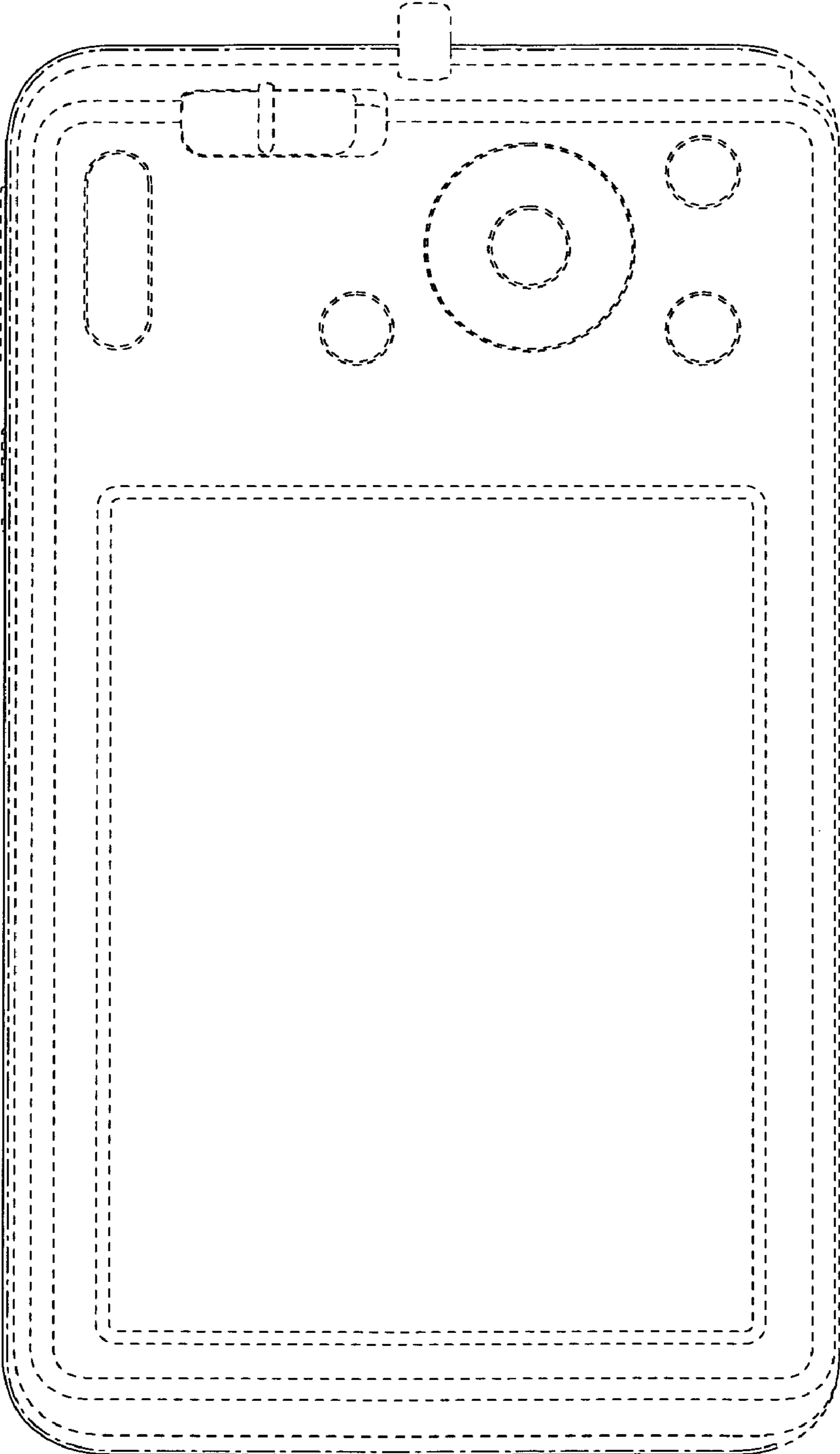


FIG.11

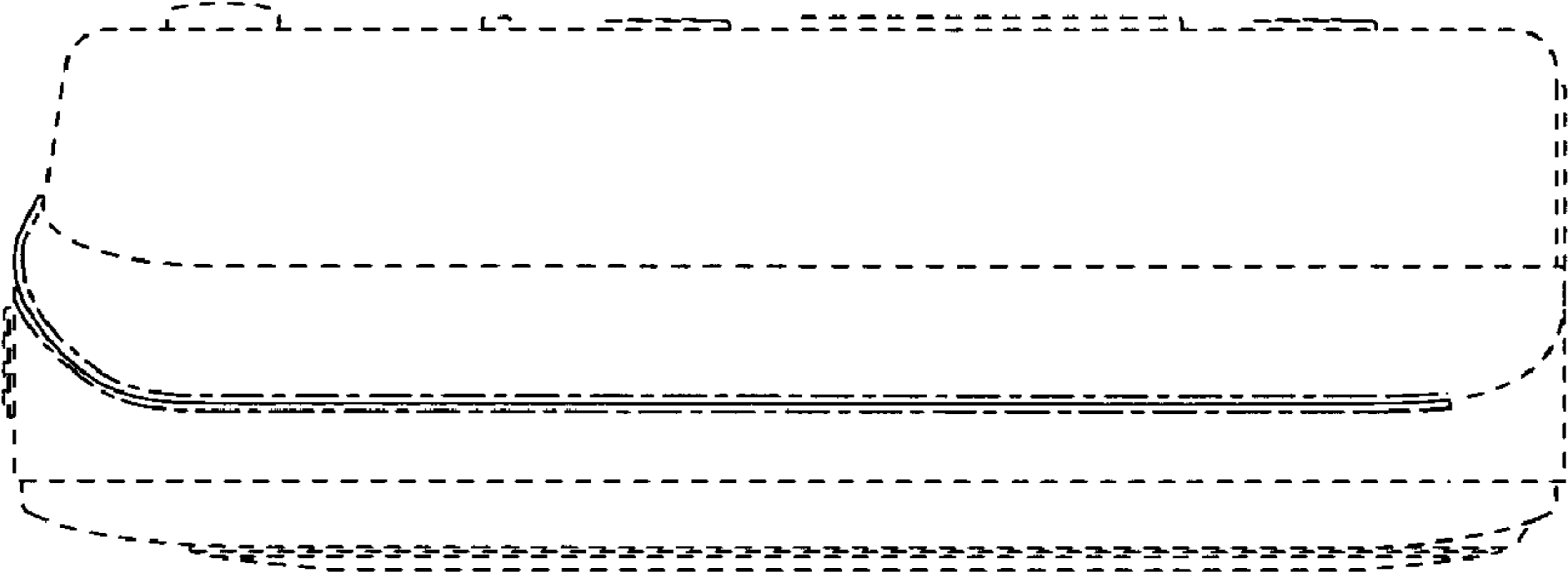


FIG.10

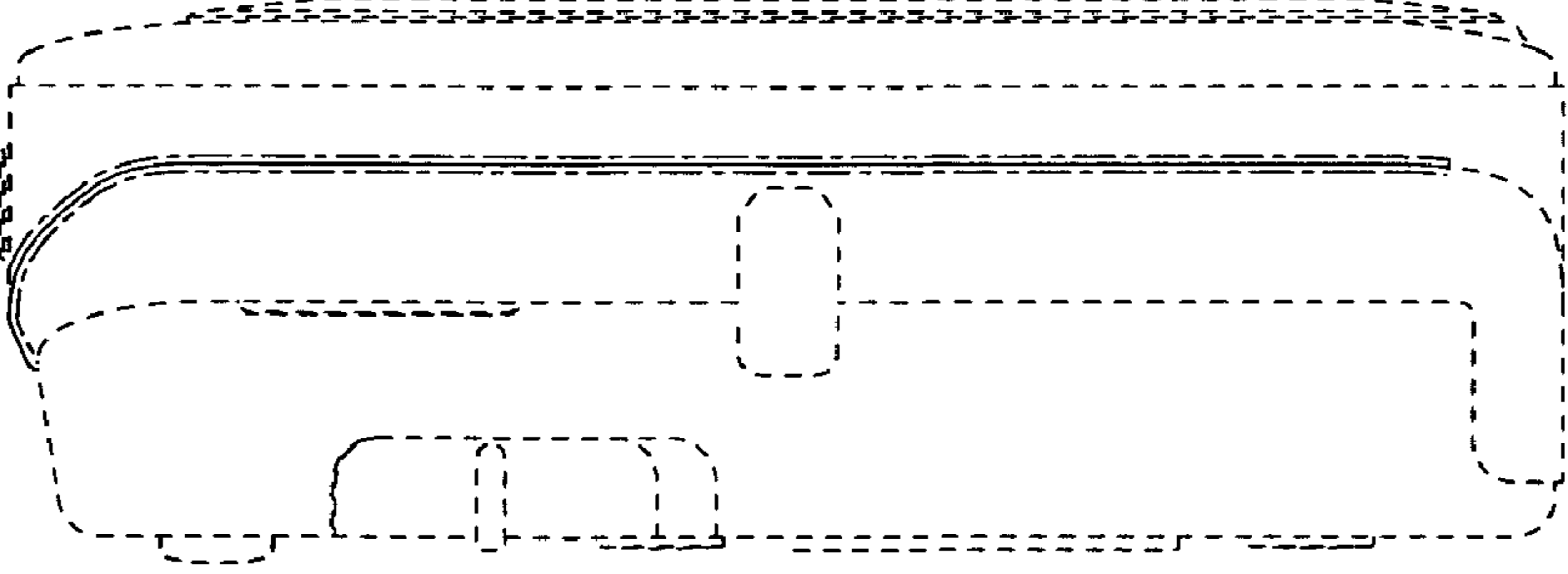


FIG.12

