



US00D653275S

(12) **United States Design Patent**
Sakai

(10) **Patent No.:** **US D653,275 S**
(45) **Date of Patent:** **** Jan. 31, 2012**

(54) **DIGITAL CAMERA**

(75) Inventor: **Koji Sakai**, Hachioji (JP)

(73) Assignee: **Olympus Imaging Corp.**, Tokyo (JP)

(**) Term: **14 Years**

(21) Appl. No.: **29/391,997**

(22) Filed: **May 16, 2011**

Related U.S. Application Data

(62) Division of application No. 29/384,222, filed on Jan. 28, 2011, now Pat. No. Des. 646,314.

(30) **Foreign Application Priority Data**

Dec. 22, 2010 (JP) 2010-030638

Dec. 22, 2010 (JP) 2010-030639

(51) **LOC (9) Cl.** **16-01**

(52) **U.S. Cl.** **D16/202**

(58) **Field of Classification Search** D16/200,
D16/202, 204, 206, 217, 218; 348/373-376;
358/909.1; 396/176-178, 535, 540, 541

See application file for complete search history.

(56) **References Cited**

U.S. PATENT DOCUMENTS

5,066,967	A *	11/1991	Yamamoto et al.	396/177
5,253,003	A *	10/1993	Fujii et al.	396/176
D560,239	S *	1/2008	Kim et al.	D16/202
D581,440	S *	11/2008	Nakamura	D16/202
D595,755	S *	7/2009	Funakoshi	D16/202
D611,977	S *	3/2010	Kim et al.	D16/202
D630,661	S *	1/2011	Meguro	D16/217
D639,325	S *	6/2011	Yamauchi et al.	D16/202
D641,032	S *	7/2011	Yoshii	D16/202

* cited by examiner

Primary Examiner — Adir Aronovich

(74) *Attorney, Agent, or Firm* — Holtz, Holtz, Goodman & Chick, P.C.

(57) **CLAIM**

The ornamental design for a digital camera, as shown.

DESCRIPTION

FIG. 1 is a front perspective view of a digital camera, showing my new design;

FIG. 2 is a rear perspective view thereof;

FIG. 3 is a front elevational view thereof;

FIG. 4 is a rear elevational view thereof;

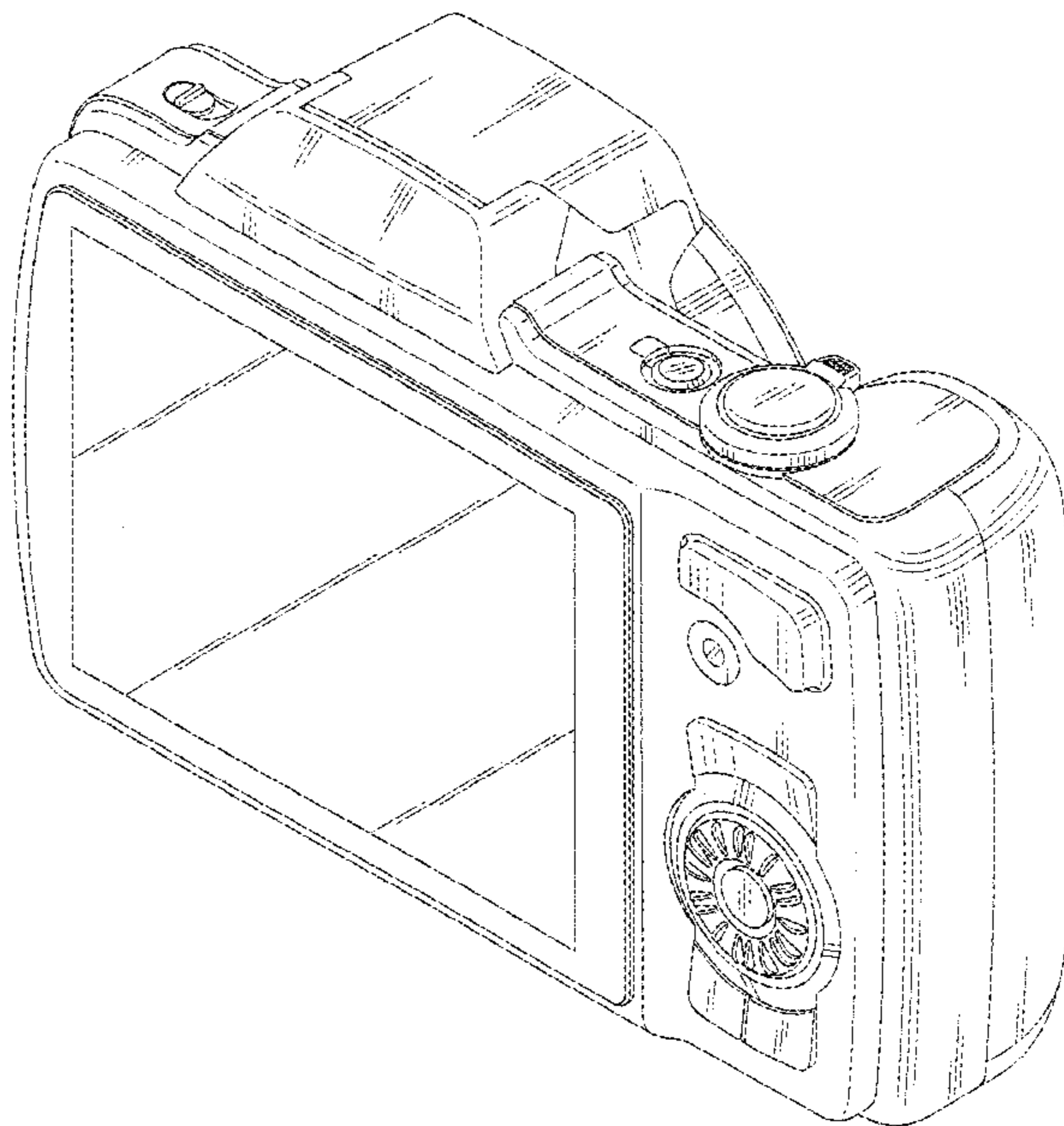
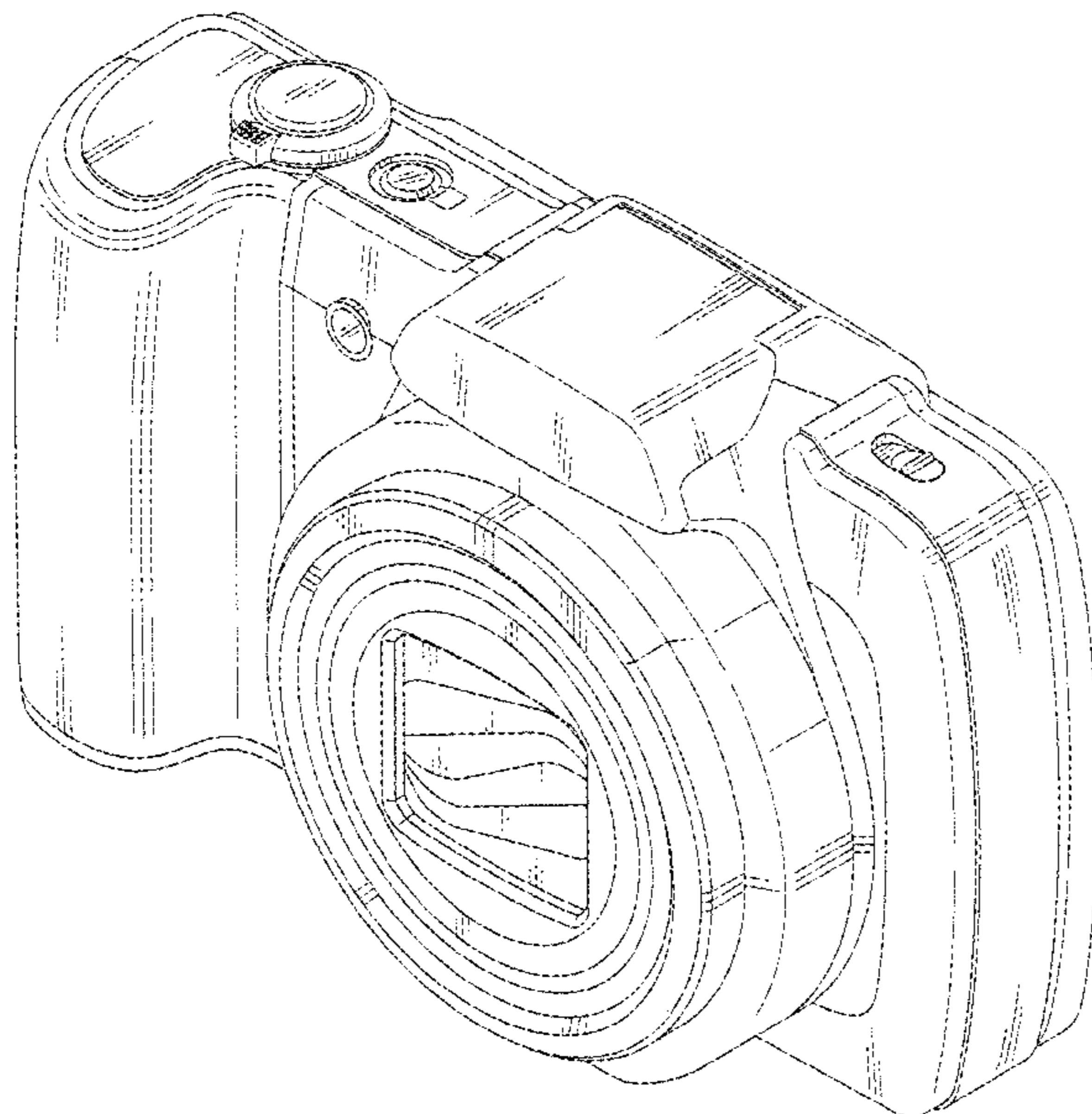
FIG. 5 is a top plan view thereof;

FIG. 6 is a bottom plan view thereof;

FIG. 7 is a right side elevational view thereof; and,

FIG. 8 is a left side elevational view thereof.

1 Claim, 5 Drawing Sheets



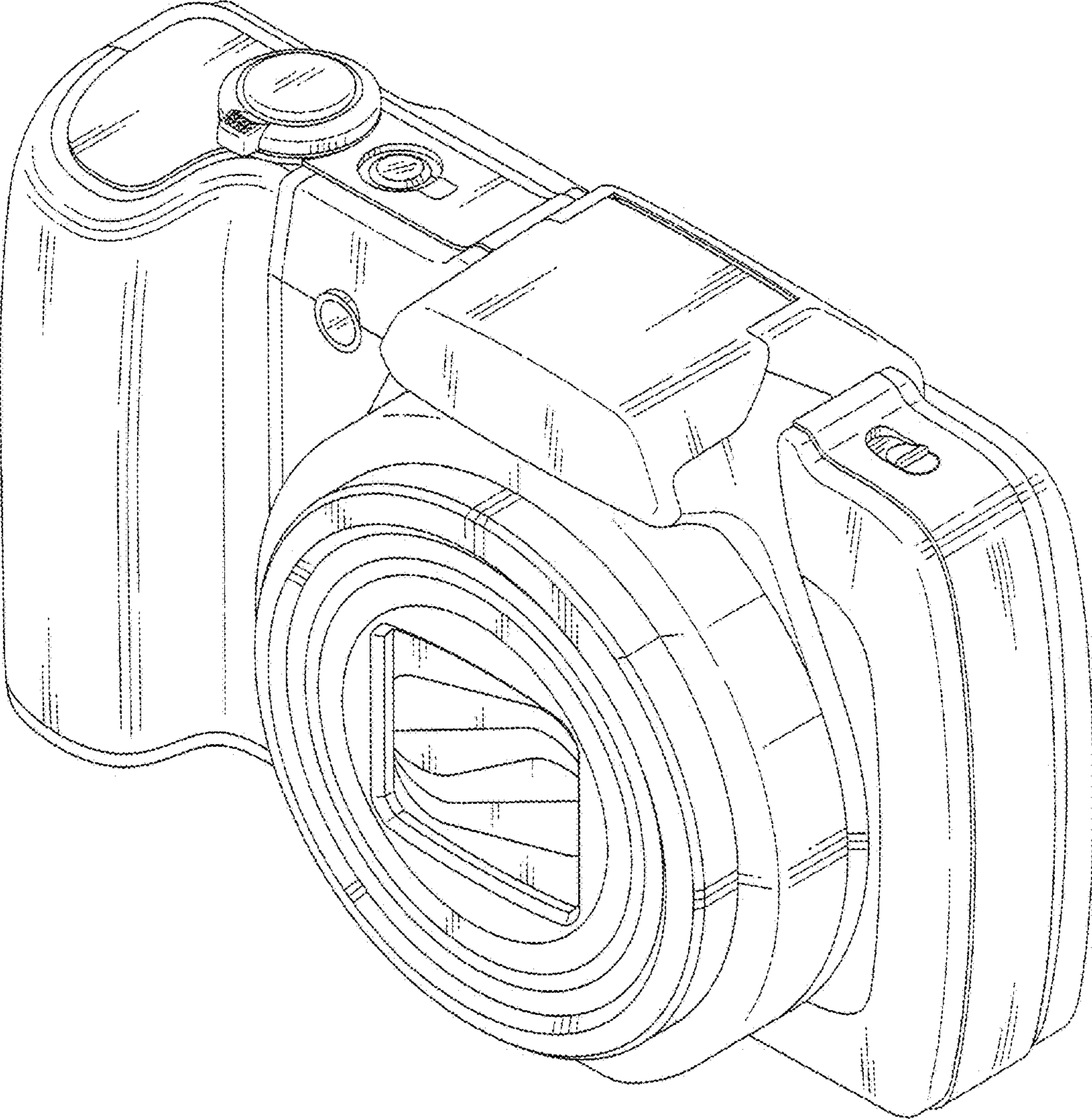


Fig. 1

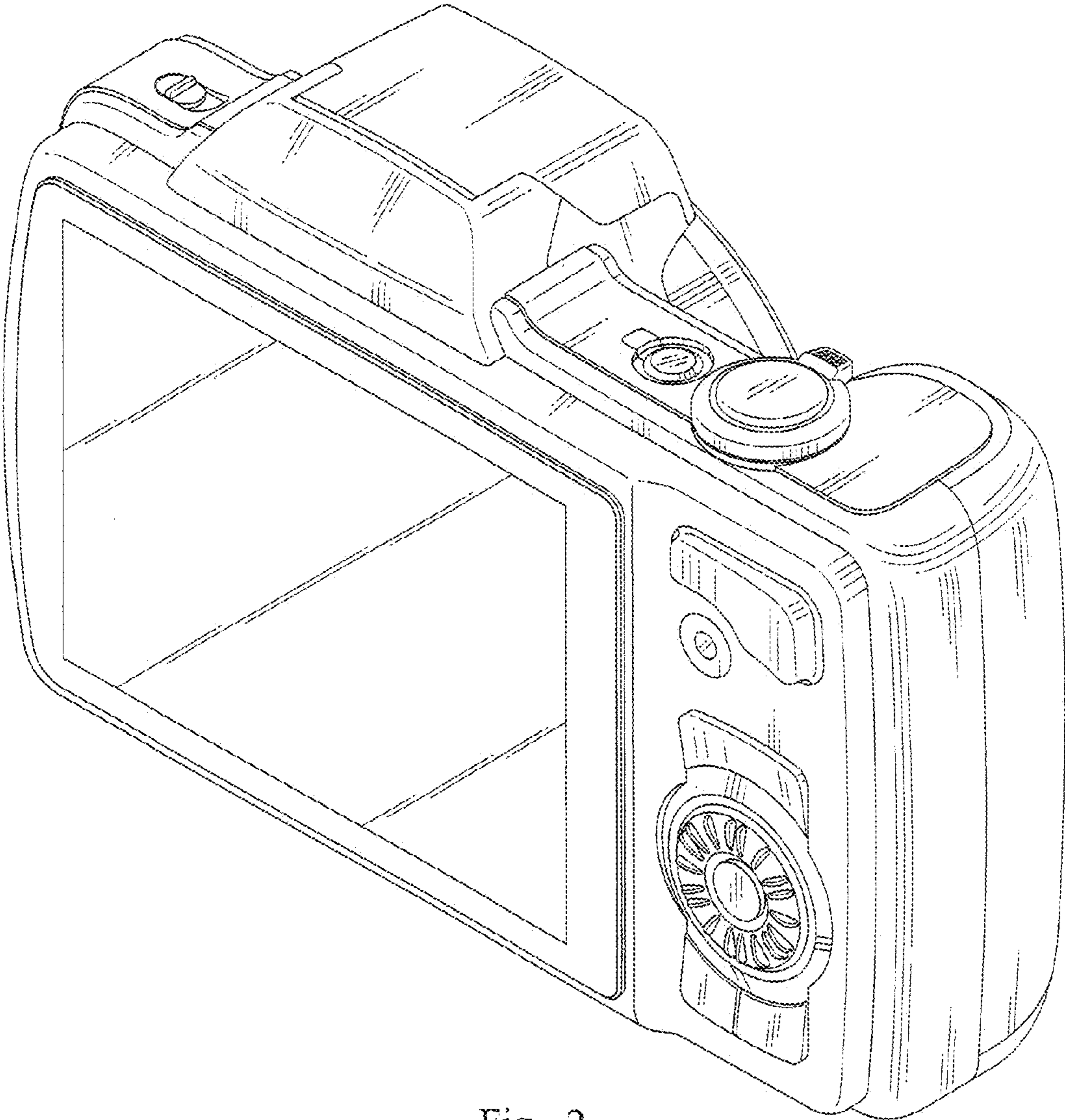


Fig. 2

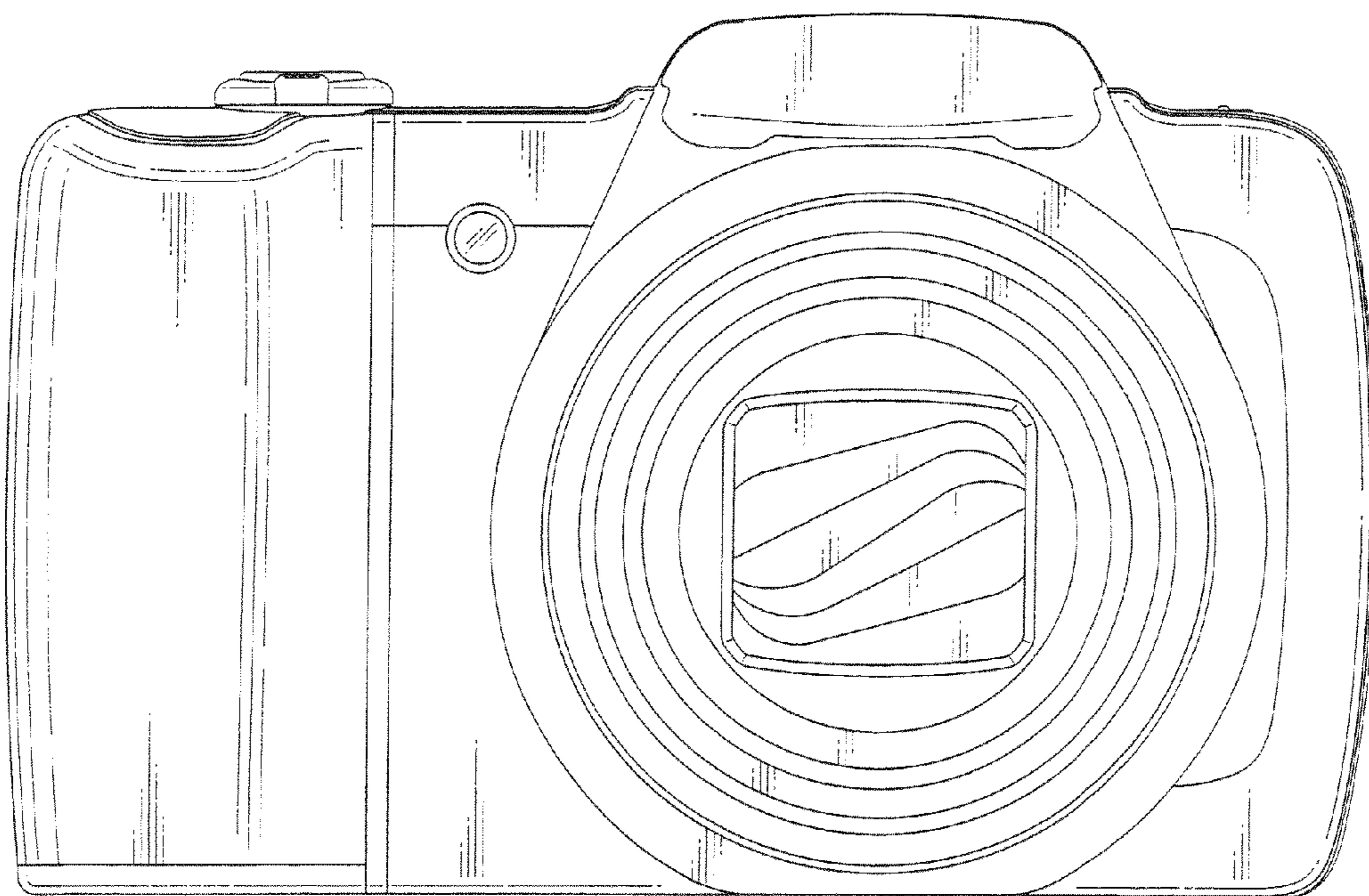


Fig. 3

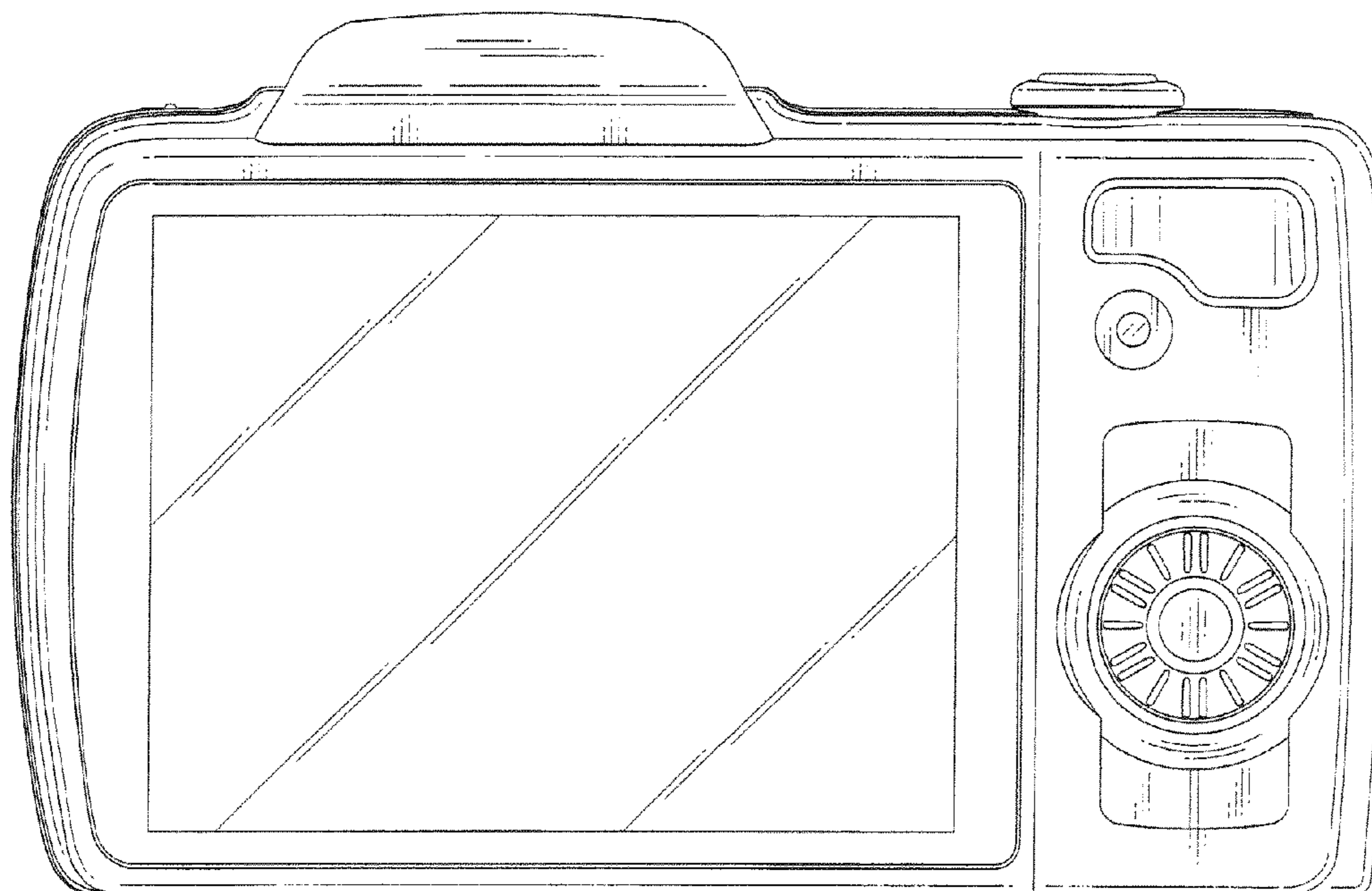


Fig. 4

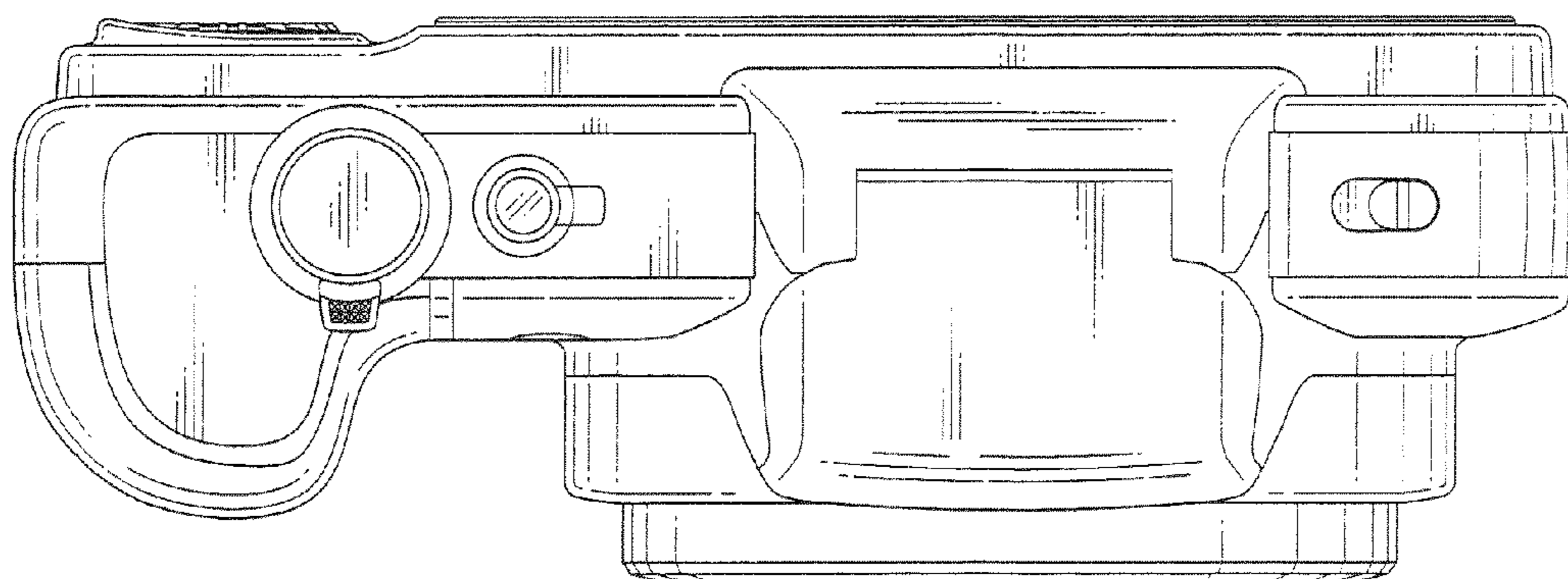


Fig. 5

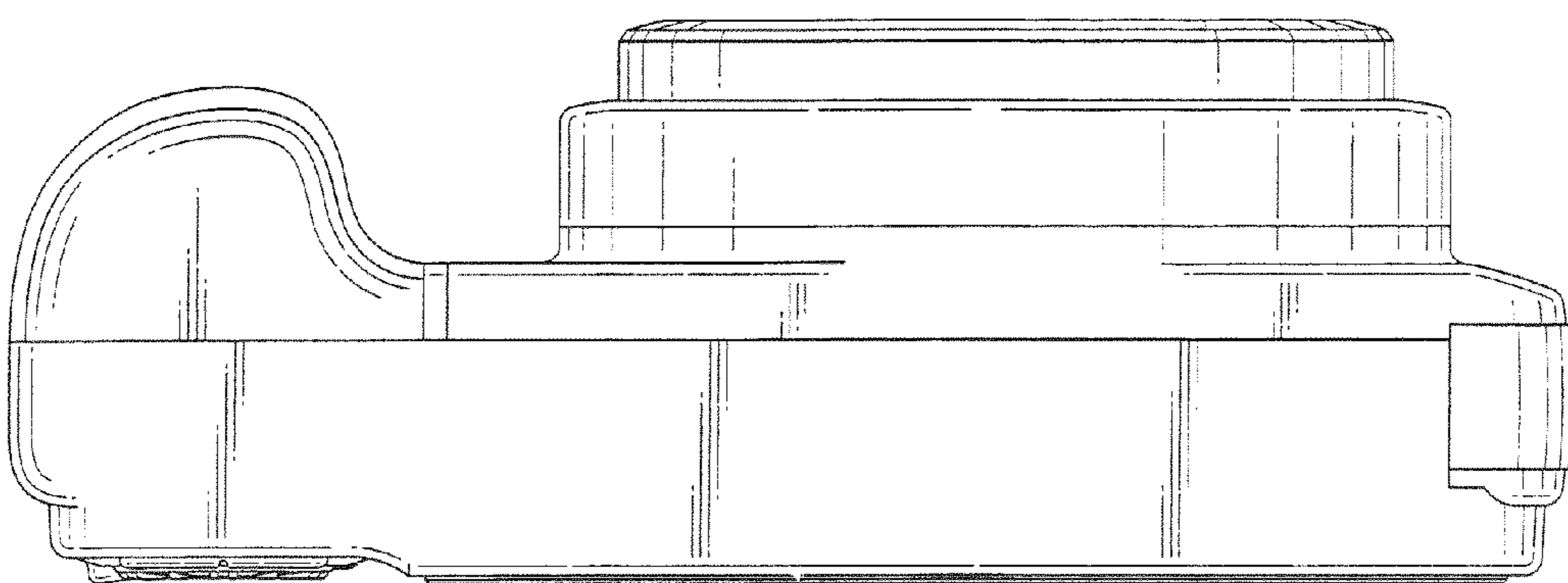


Fig. 6

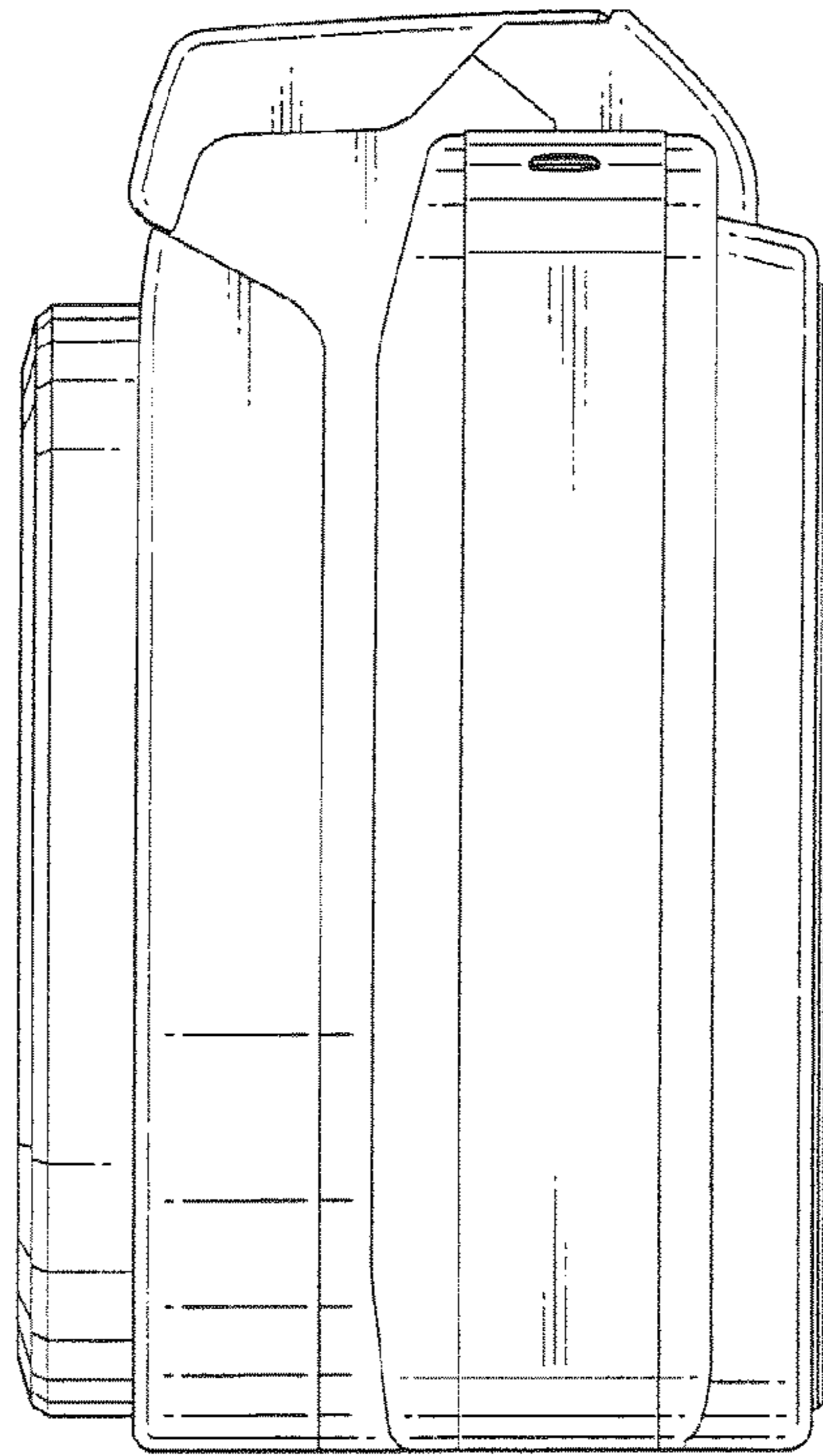


Fig. 7

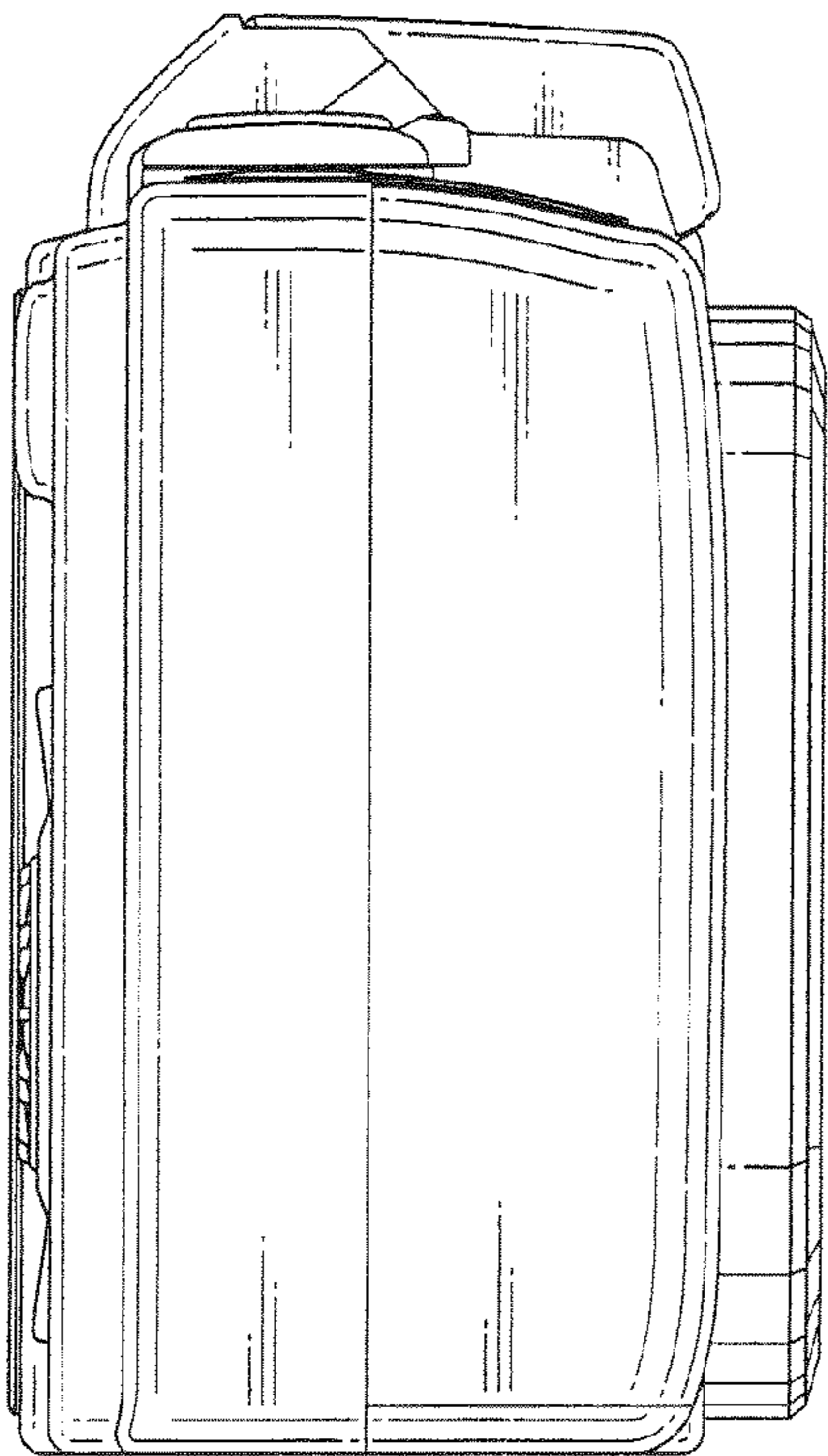


Fig. 8