



US00D653271S

(12) **United States Design Patent**
Kindig

(10) **Patent No.:** **US D653,271 S**
(45) **Date of Patent:** **** Jan. 31, 2012**

- (54) **WIRE FEEDER ENCLOSURE**
- (75) Inventor: **Michael A. Kindig**, Chagrin Falls, OH (US)
- (73) Assignee: **Lincoln Global, Inc.**, City of Industry, CA (US)
- (**) Term: **14 Years**
- (21) Appl. No.: **29/394,853**
- (22) Filed: **Jun. 22, 2011**
- (51) **LOC (9) Cl.** **15-09**
- (52) **U.S. Cl.** **D15/144**
- (58) **Field of Classification Search** D3/272, D3/273, 276, 279, 281, 282, 295, 905; D15/144, D15/144.1, 144.2; 174/50.56, 50.59; 219/61, 219/74, 76.14, 125.11, 130, 131, 132, 133, 219/136, 137.2, 137.31, 137.7, 137.71, 137.9; 242/128; 336/182, 195, 212, 214; 361/220
See application file for complete search history.

7,423,238	B2	9/2008	Stanzel et al.	
D578,759	S *	10/2008	Grenier et al.	D3/294
7,624,908	B2 *	12/2009	Enyedy et al.	219/137.71
D611,074	S	3/2010	Bashore et al.	
D629,199	S *	12/2010	Minneman	D3/274
D634,930	S *	3/2011	Lalo	D3/276
2007/0039934	A1 *	2/2007	Enyedy et al.	219/137.71
2007/0284352	A1	12/2007	Lynaugh et al.	
2008/0156783	A1	7/2008	Vanden Heuvel et al.	
2009/0057285	A1	3/2009	Bashore et al.	
2009/0166345	A1	7/2009	Enyedy et al.	
2010/0051595	A1	3/2010	Diedrick et al.	

FOREIGN PATENT DOCUMENTS

CN 2930943 Y 8/2007

* cited by examiner

Primary Examiner — Patricia Palasik

(74) *Attorney, Agent, or Firm* — Hahn, Loeser & Parks, LLP; Keith J. Marcinowski

(57) **CLAIM**

The ornamental design for a wire feeder enclosure, as shown and described.

DESCRIPTION

FIG. 1 is a front perspective view of a wire feeder enclosure for a wire feeder;

FIG. 2 is a rear perspective view of the wire feeder enclosure of FIG. 1;

FIG. 3 is a left side view of the wire feeder enclosure of FIG. 1;

FIG. 4 is a right side view of the wire feeder enclosure of FIG. 1; and,

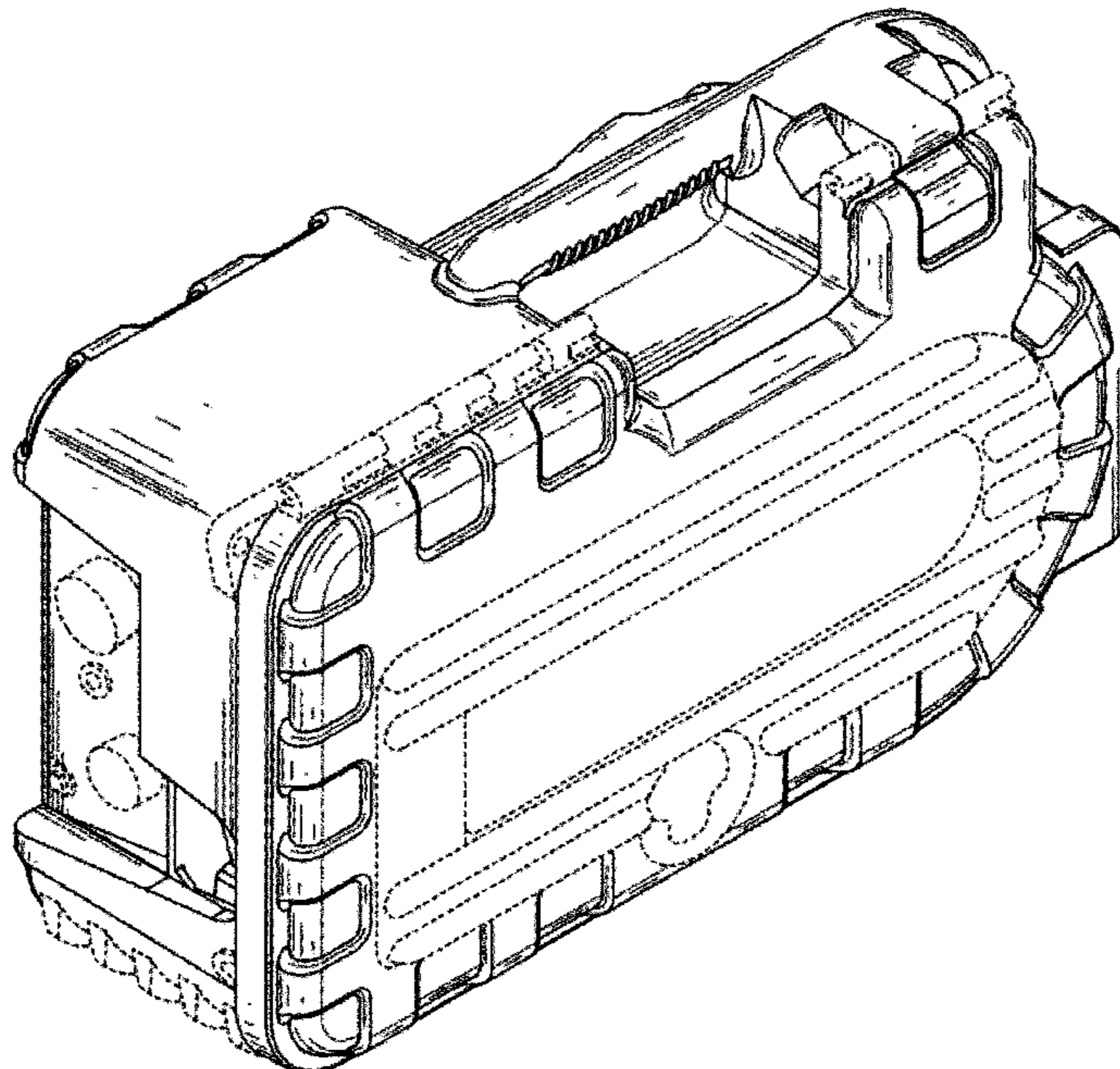
FIG. 5 is a top plan view of wire feeder enclosure of FIG. 1. The broken lines shown in the Figures are for illustrative purposes only and form no part of the claimed invention.

1 Claim, 5 Drawing Sheets

(56) **References Cited**

U.S. PATENT DOCUMENTS

2,833,912	A	5/1958	Royer	
D274,819	S	7/1984	Bouman	
6,225,596	B1	5/2001	Chandler et al.	
D462,519	S	9/2002	Gaydos et al.	
D465,330	S *	11/2002	Parker	D3/273
6,479,795	B1	11/2002	Albrecht et al.	
D472,384	S	4/2003	Richardson	
D504,903	S	5/2005	Crisler, III et al.	
D508,930	S	8/2005	Crisler, III et al.	
D523,242	S	6/2006	Hardigg et al.	
D527,181	S *	8/2006	Henning et al.	D3/276
7,205,503	B2	4/2007	Reynolds et al.	
D569,884	S	5/2008	Shu	



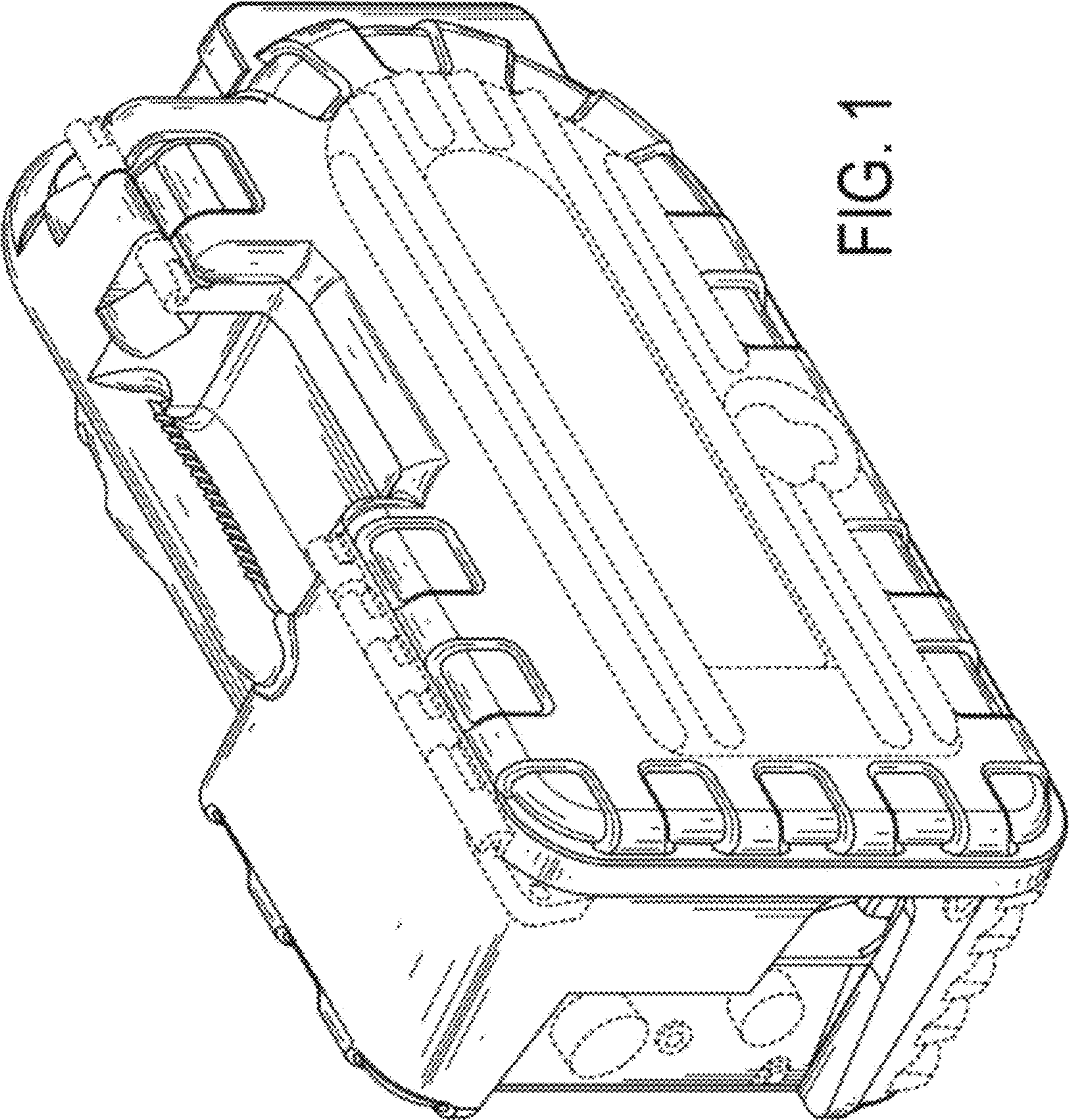


FIG. 1

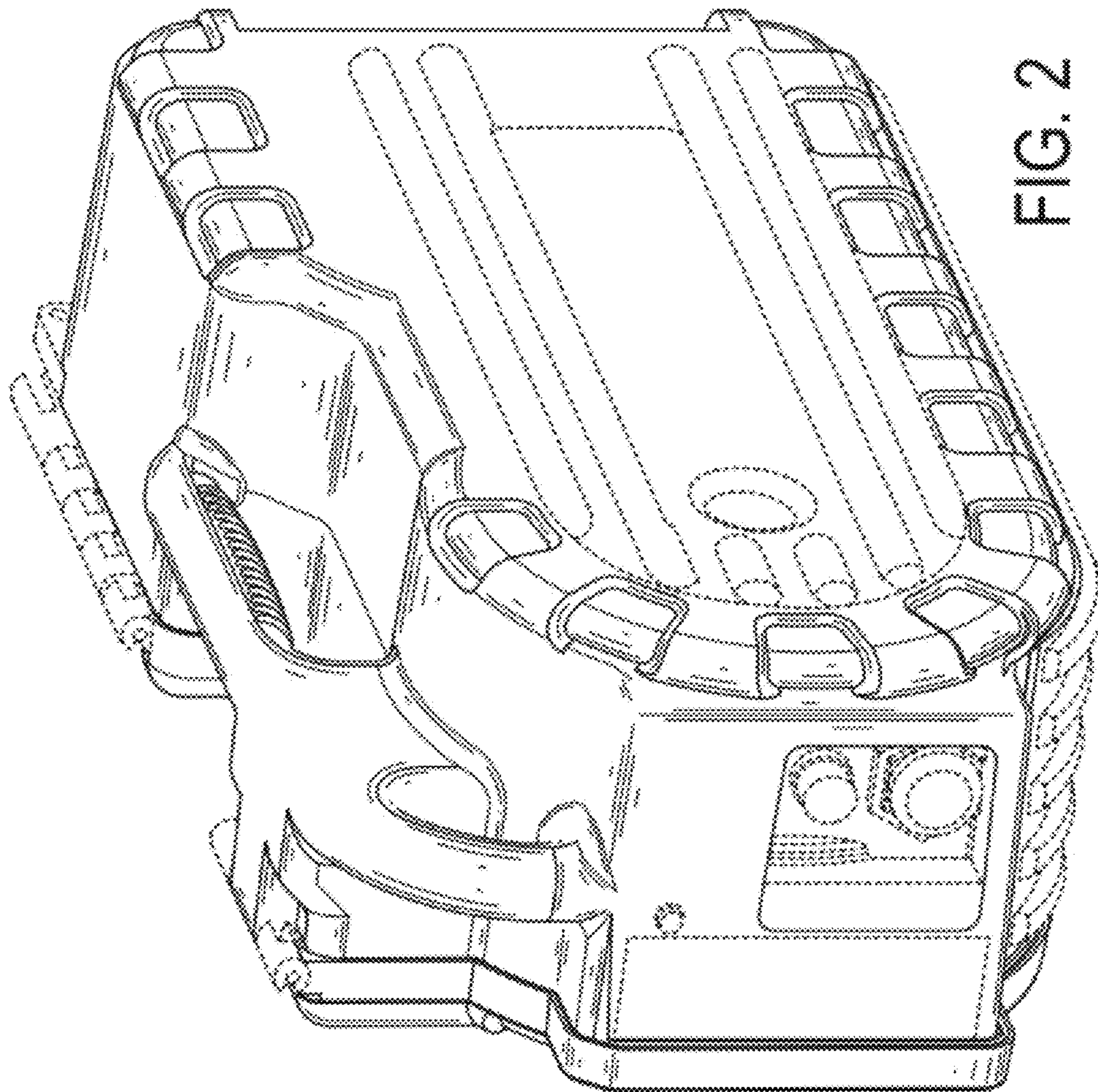


FIG. 2

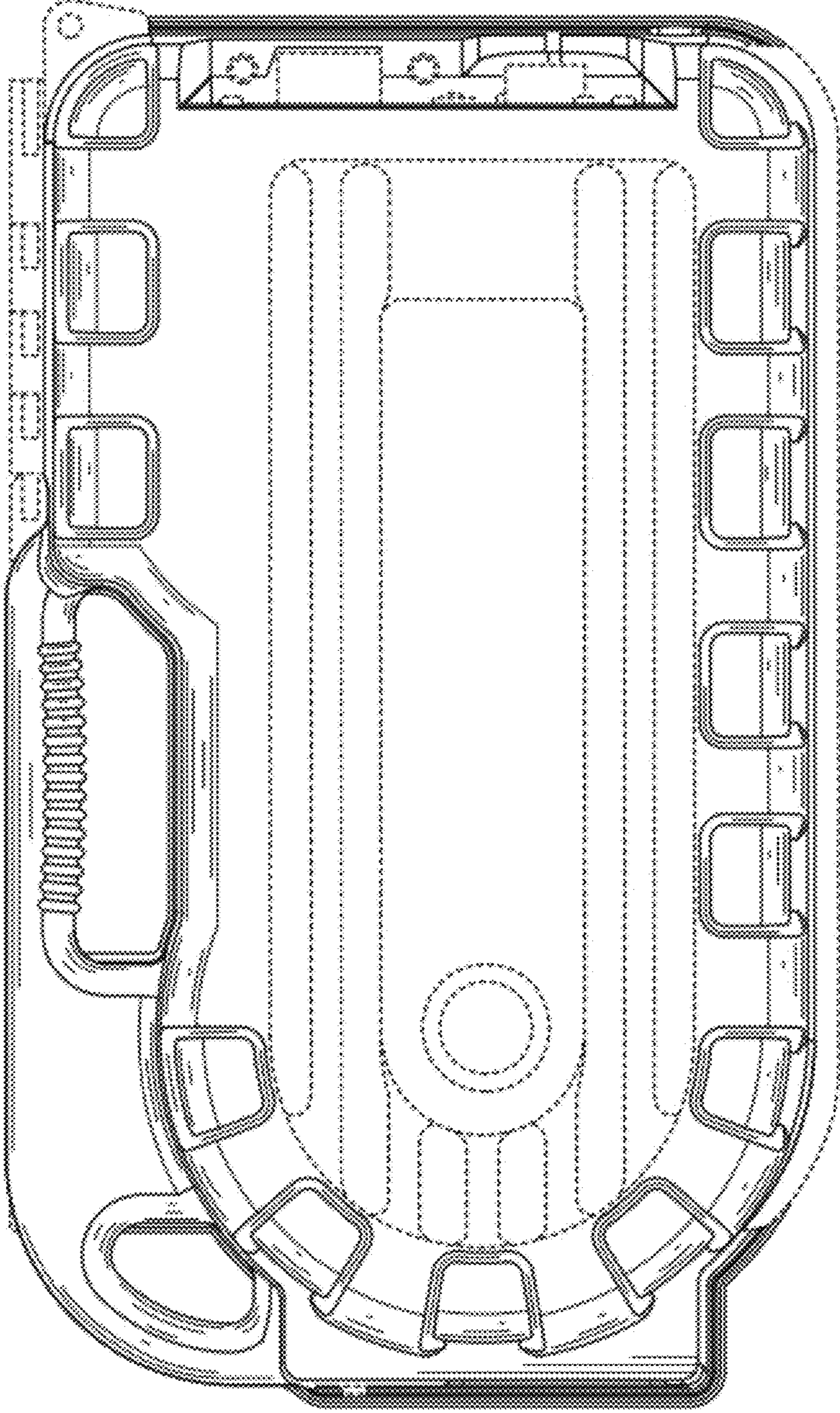


FIG. 3

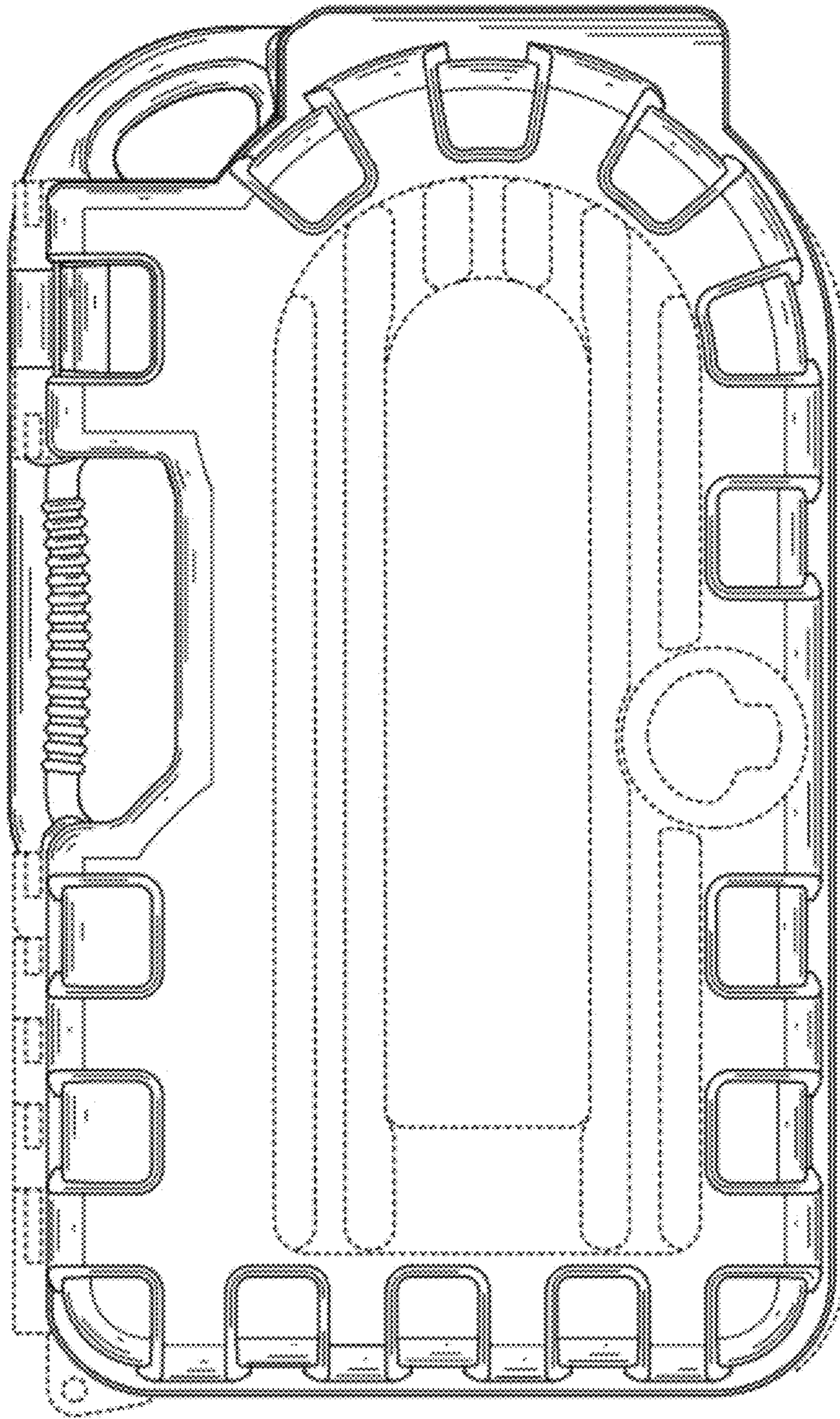


FIG. 4

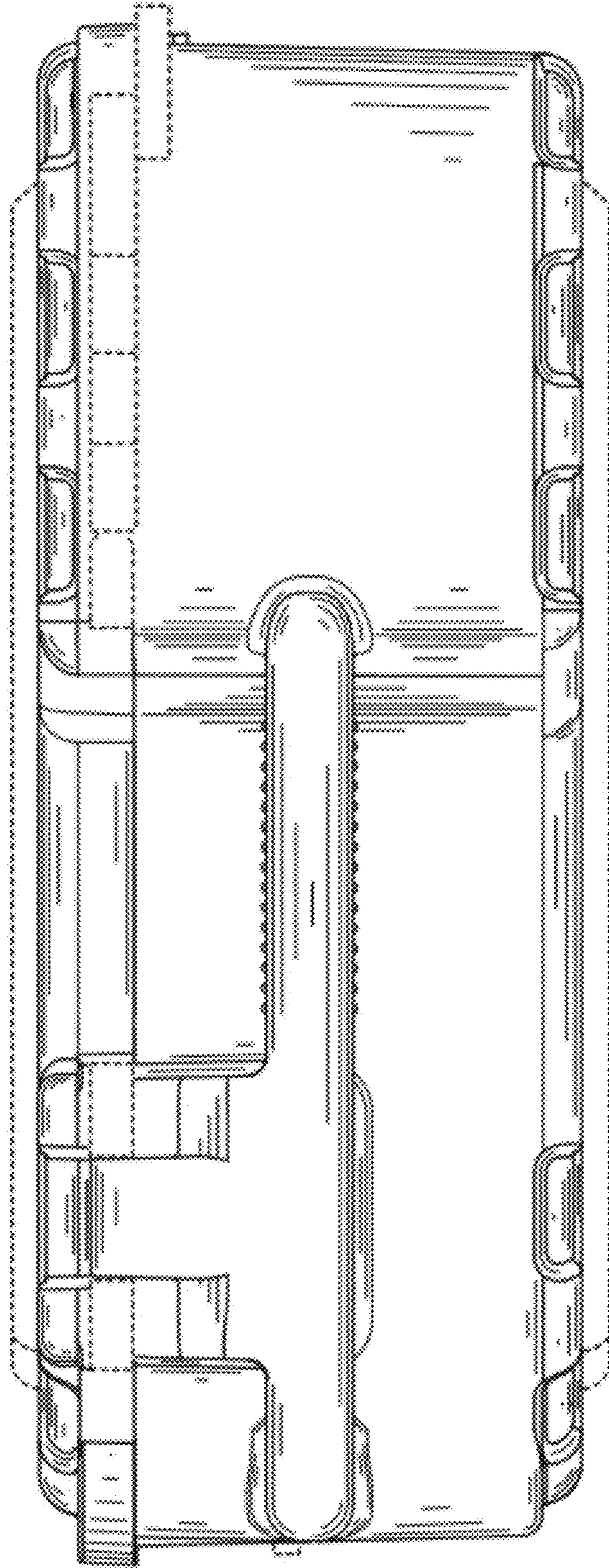


FIG. 5