



US00D653269S

(12) **United States Design Patent**
Fischer

(10) **Patent No.:** **US D653,269 S**

(45) **Date of Patent:** **** Jan. 31, 2012**

(54) **COMPACT NOZZLE TIP CUTTER**

(76) Inventor: **Brett William Fischer**, Lee's Summit,
MO (US)

(**) Term: **14 Years**

(21) Appl. No.: **29/374,283**

(22) Filed: **Jul. 25, 2011**

(51) **LOC (9) Cl.** **15-09**

(52) **U.S. Cl.** **D15/139**

(58) **Field of Classification Search** D8/60,
D8/70, 71; D15/127, 133, 138, 139; D27/195;
30/92, 93, 278, 333, 337

See application file for complete search history.

(56) **References Cited**

U.S. PATENT DOCUMENTS

4,837,931	A *	6/1989	Beermann	30/92
D314,639	S *	2/1991	Rousseau	D27/195
5,355,584	A *	10/1994	Huang	30/92
D387,477	S *	12/1997	Schmidt	D27/195
D391,016	S *	2/1998	Marusiak	D27/195
D414,665	S *	10/1999	Longo	D8/60

6,216,346	B1 *	4/2001	Wechsler	30/113
D551,687	S *	9/2007	Rosler	D15/149
D569,548	S *	5/2008	Smith	D27/195
D617,496	S *	6/2010	Wong	D27/195

* cited by examiner

Primary Examiner — Patricia Palasik

(57) **CLAIM**

The ornamental design for a compact nozzle tip cutter, as shown and described.

DESCRIPTION

FIG. 1 is a top perspective view of a compact tip cutter that incorporates a nozzle;

FIG. 2 is a bottom perspective view of FIG. 1;

FIG. 3 is a top plan view thereof;

FIG. 4 is a bottom plan view thereof;

FIG. 5 is a front elevation view thereof;

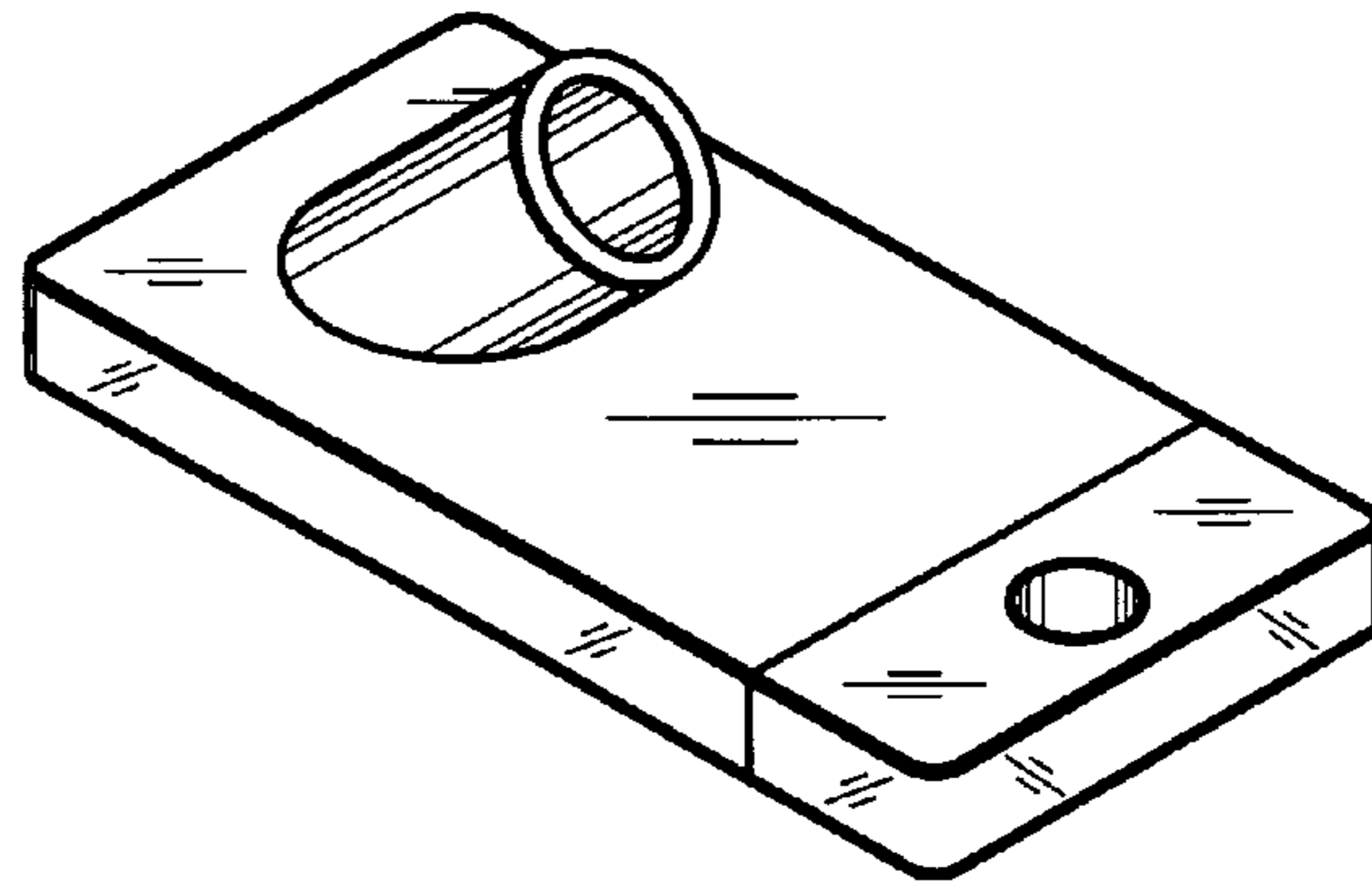
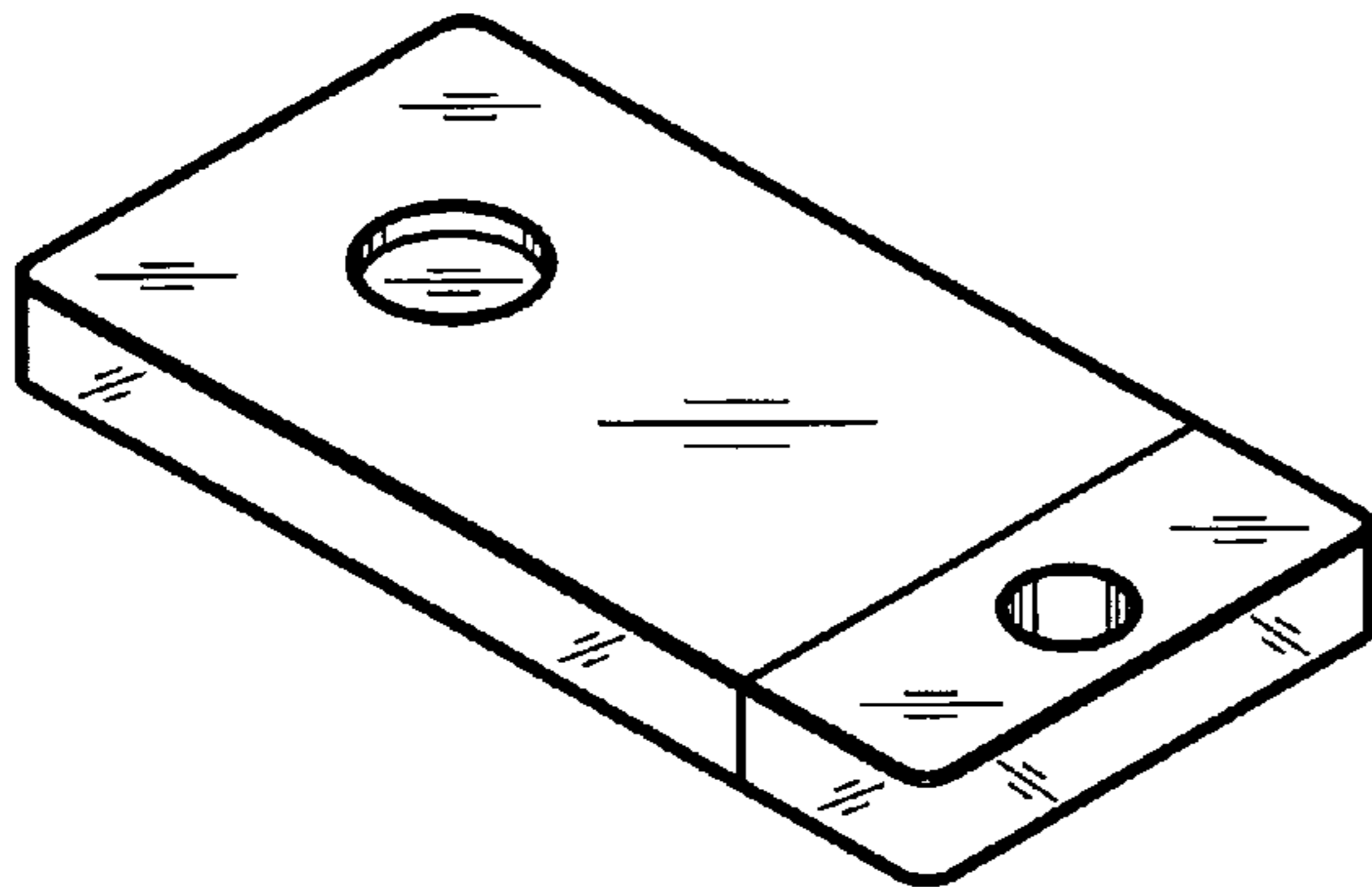
FIG. 6 is a left side elevation view thereof;

FIG. 7 is a right side elevation view thereof; and

FIG. 8 is a top perspective view of a second embodiment of a compact tip cutter; and,

FIG. 9 is a bottom perspective view of FIG. 8.

1 Claim, 3 Drawing Sheets



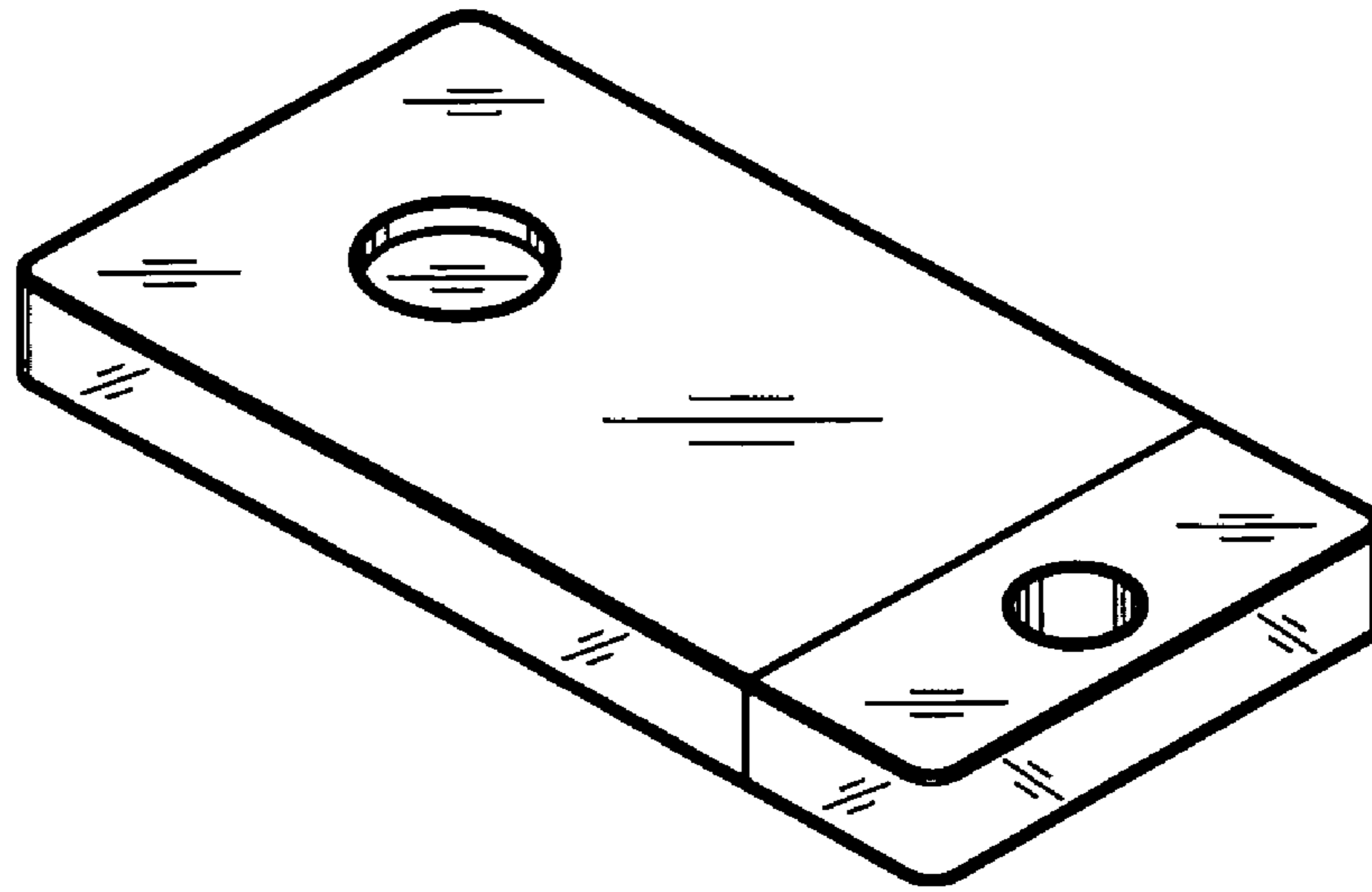


Fig. 1

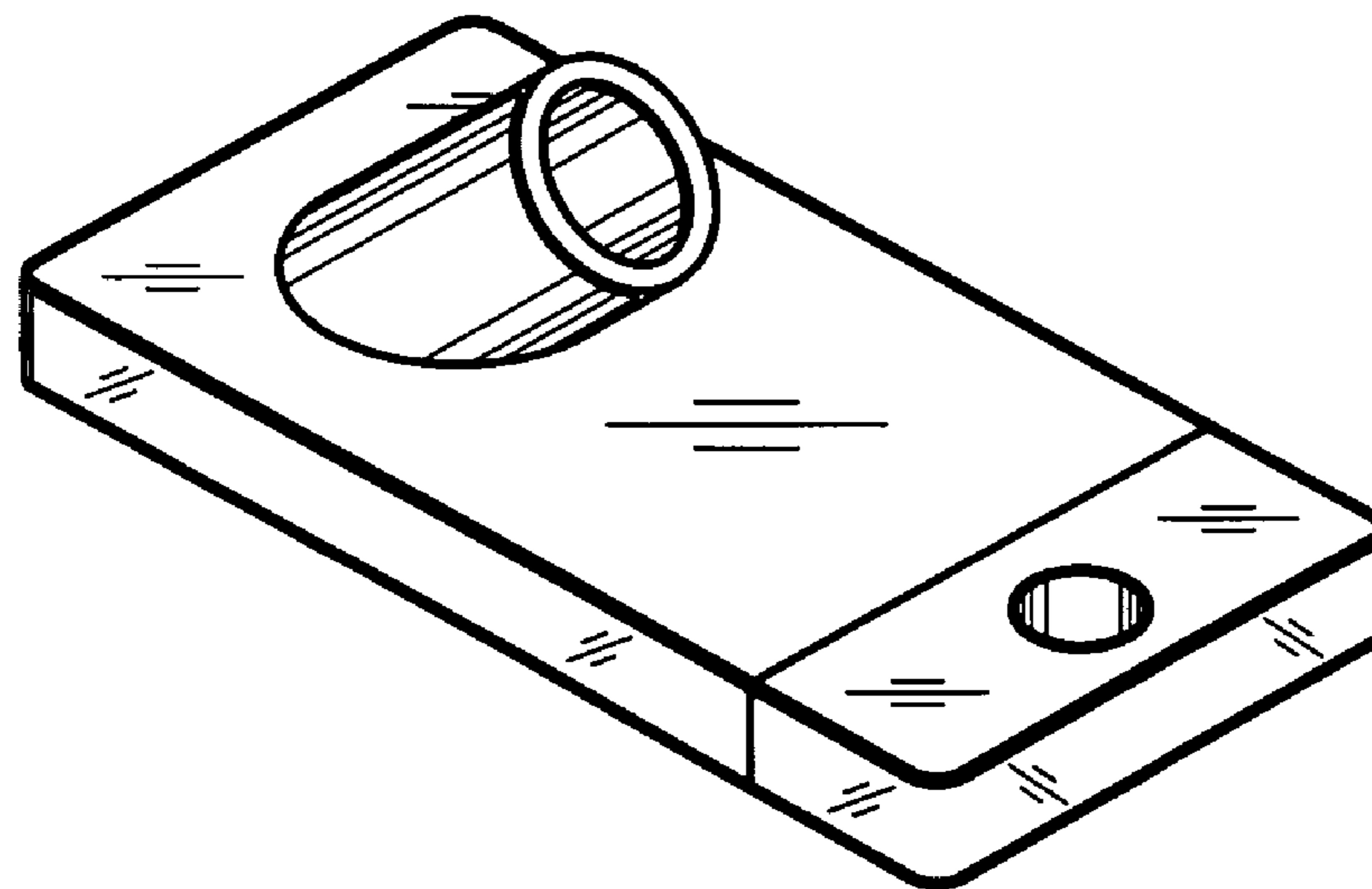


Fig. 2

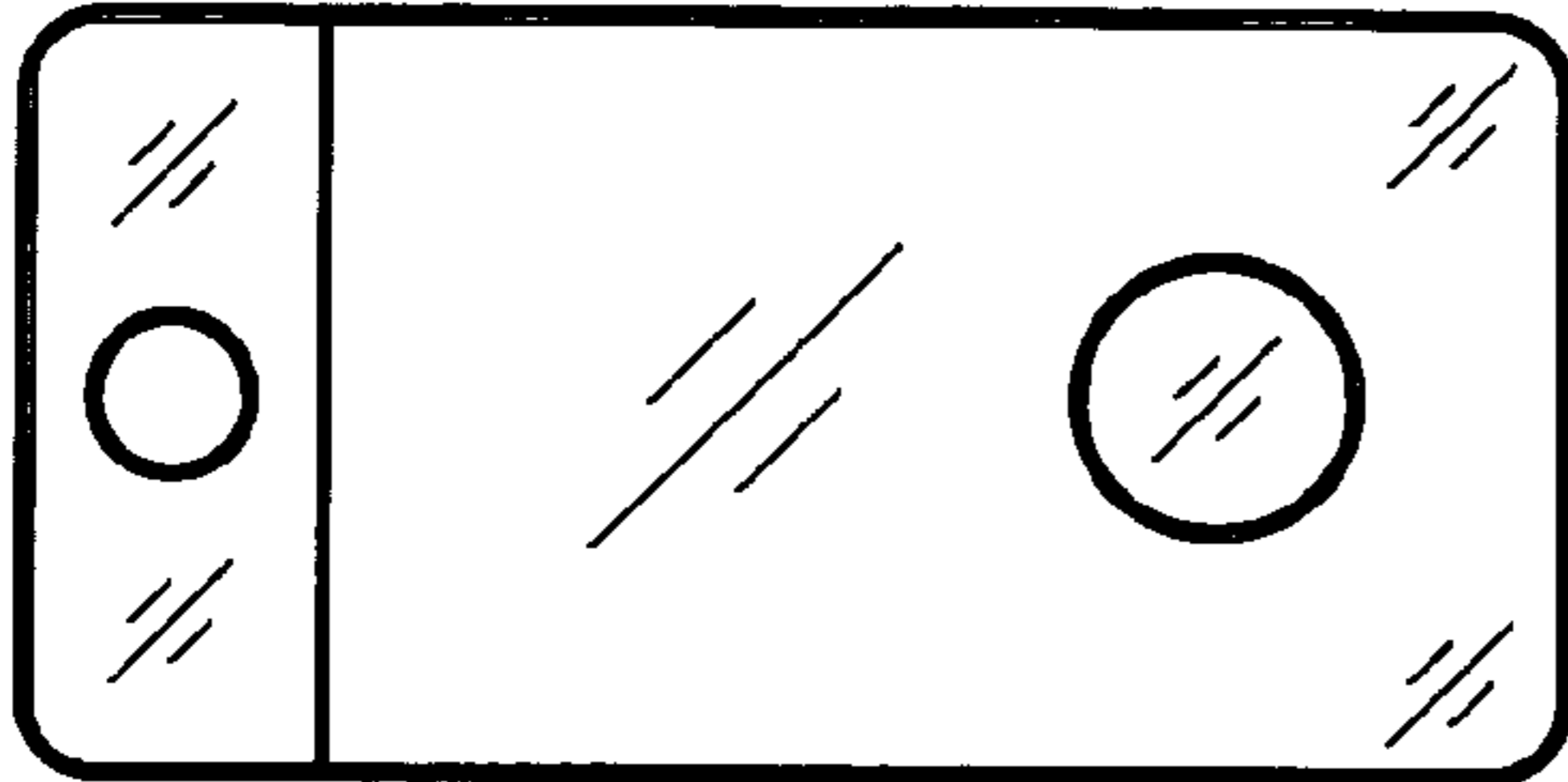


Fig. 3

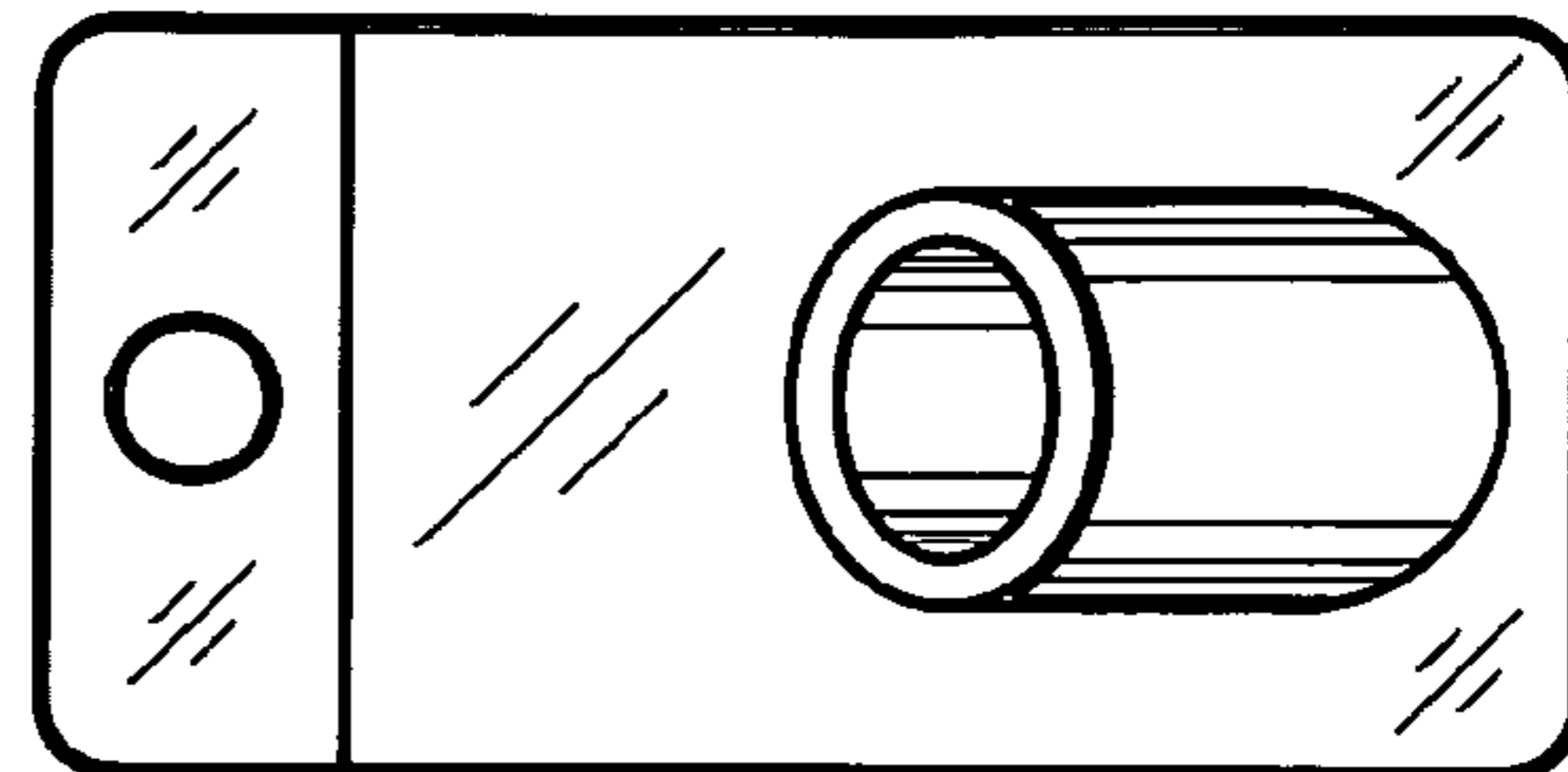


Fig. 4

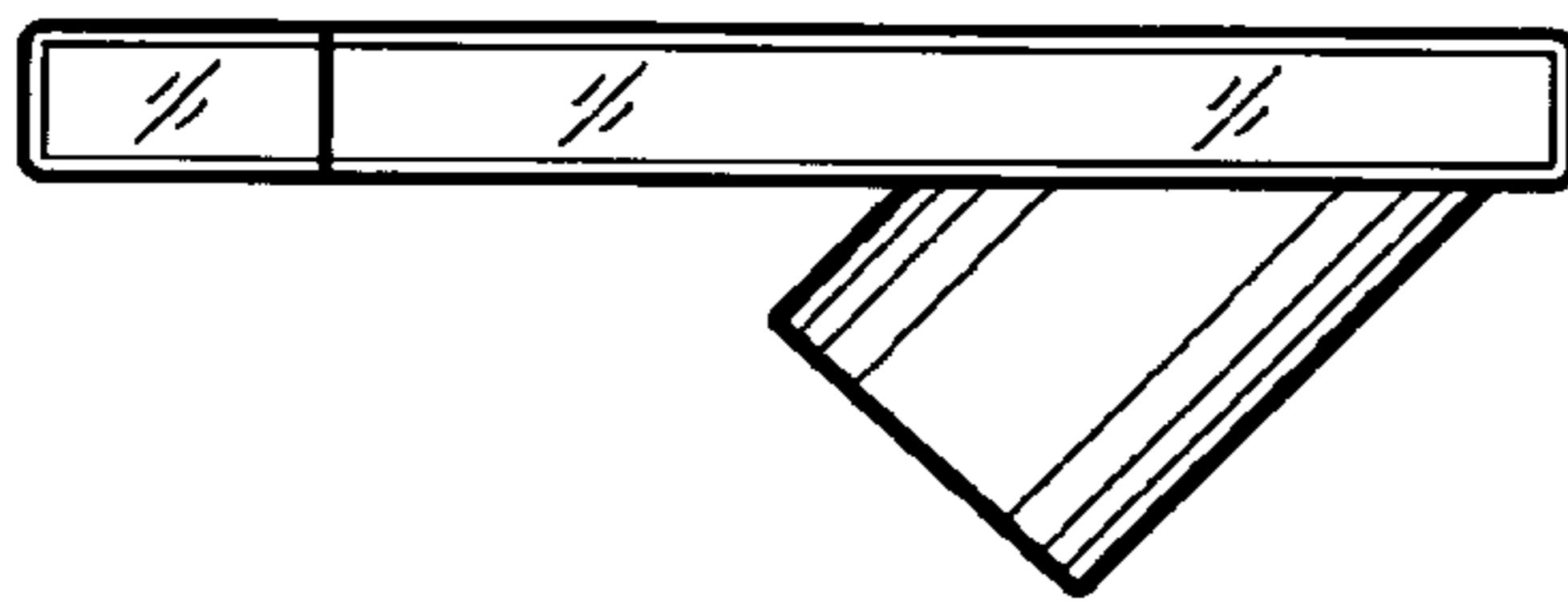


Fig. 5

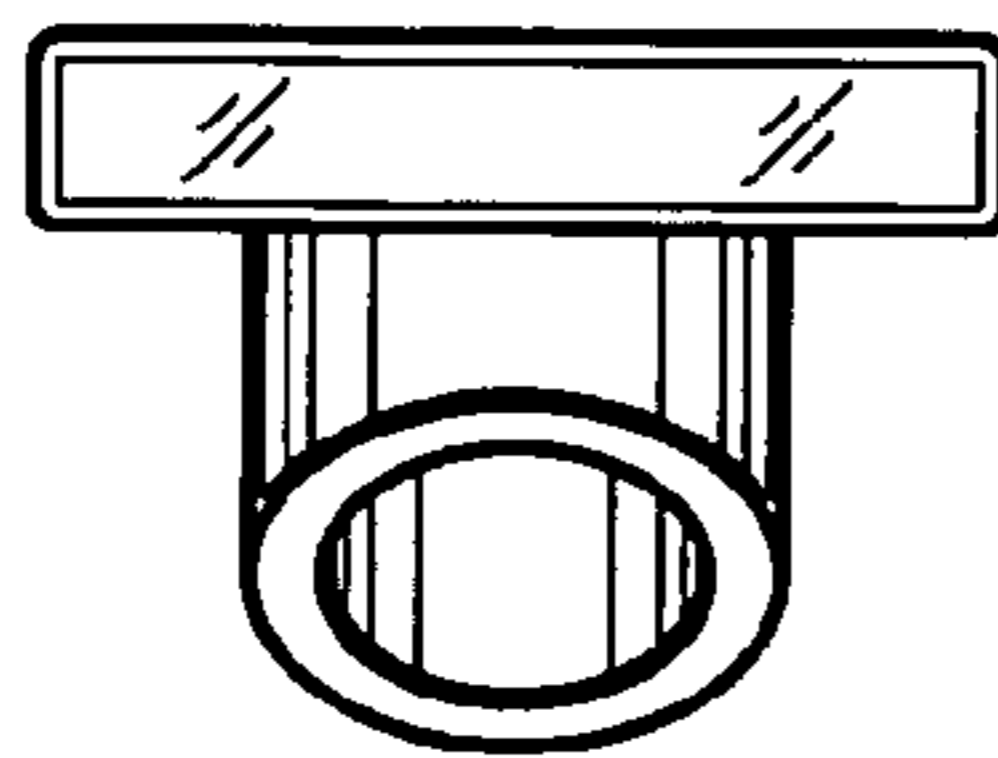


Fig. 6

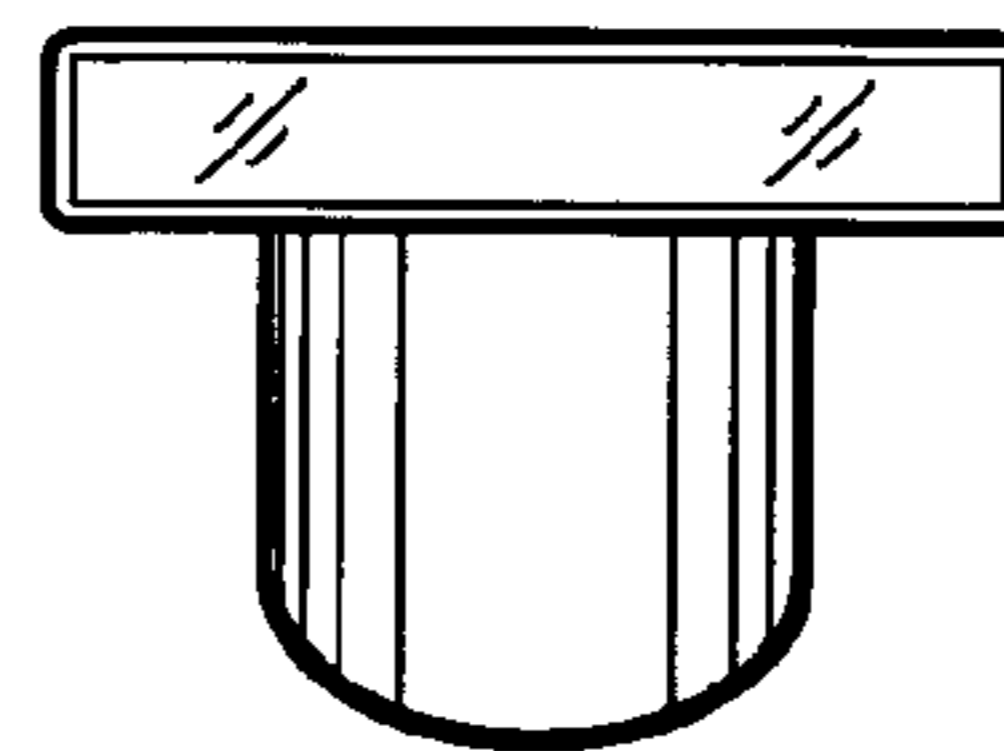


Fig. 7

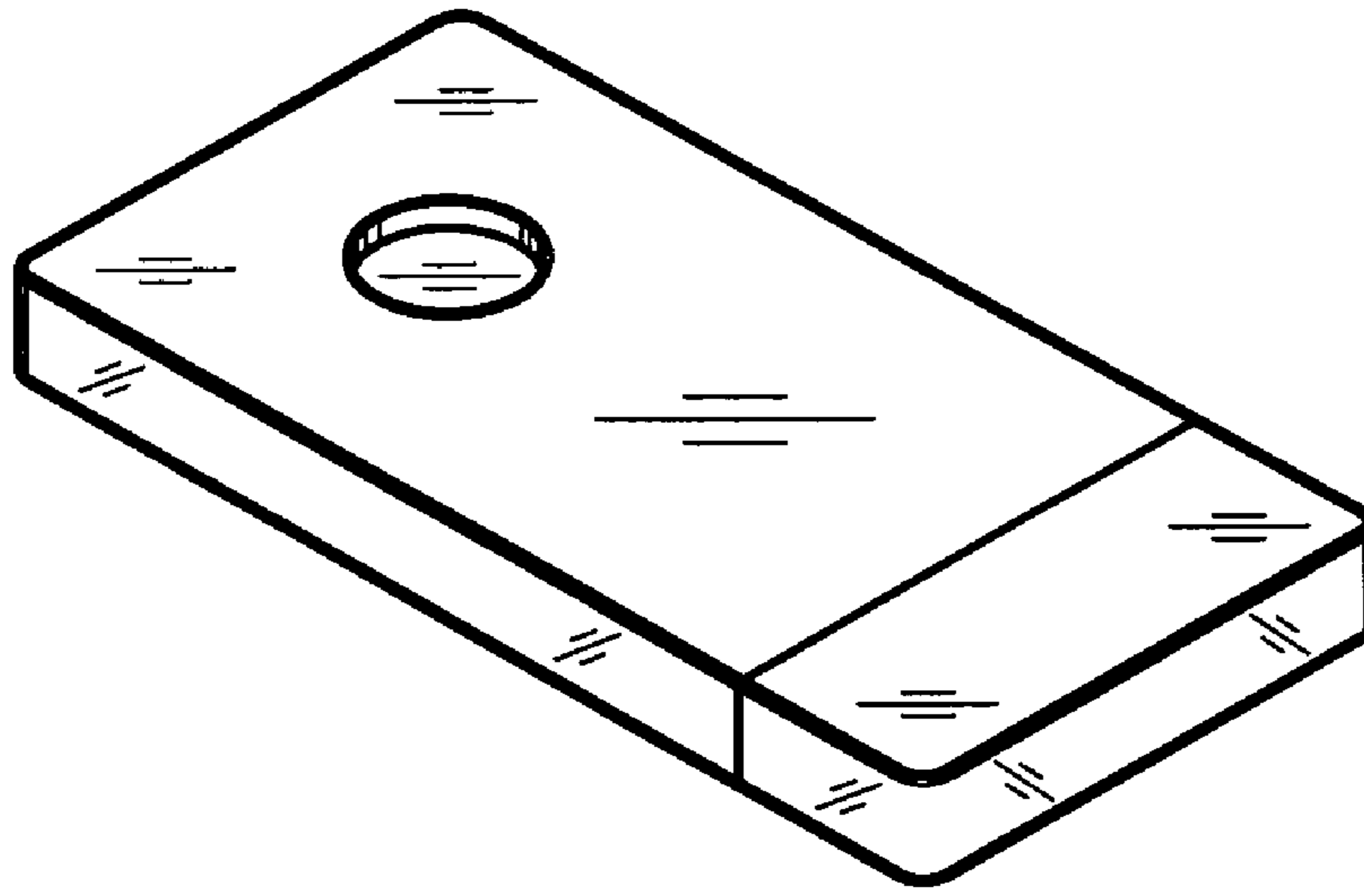


Fig. 8

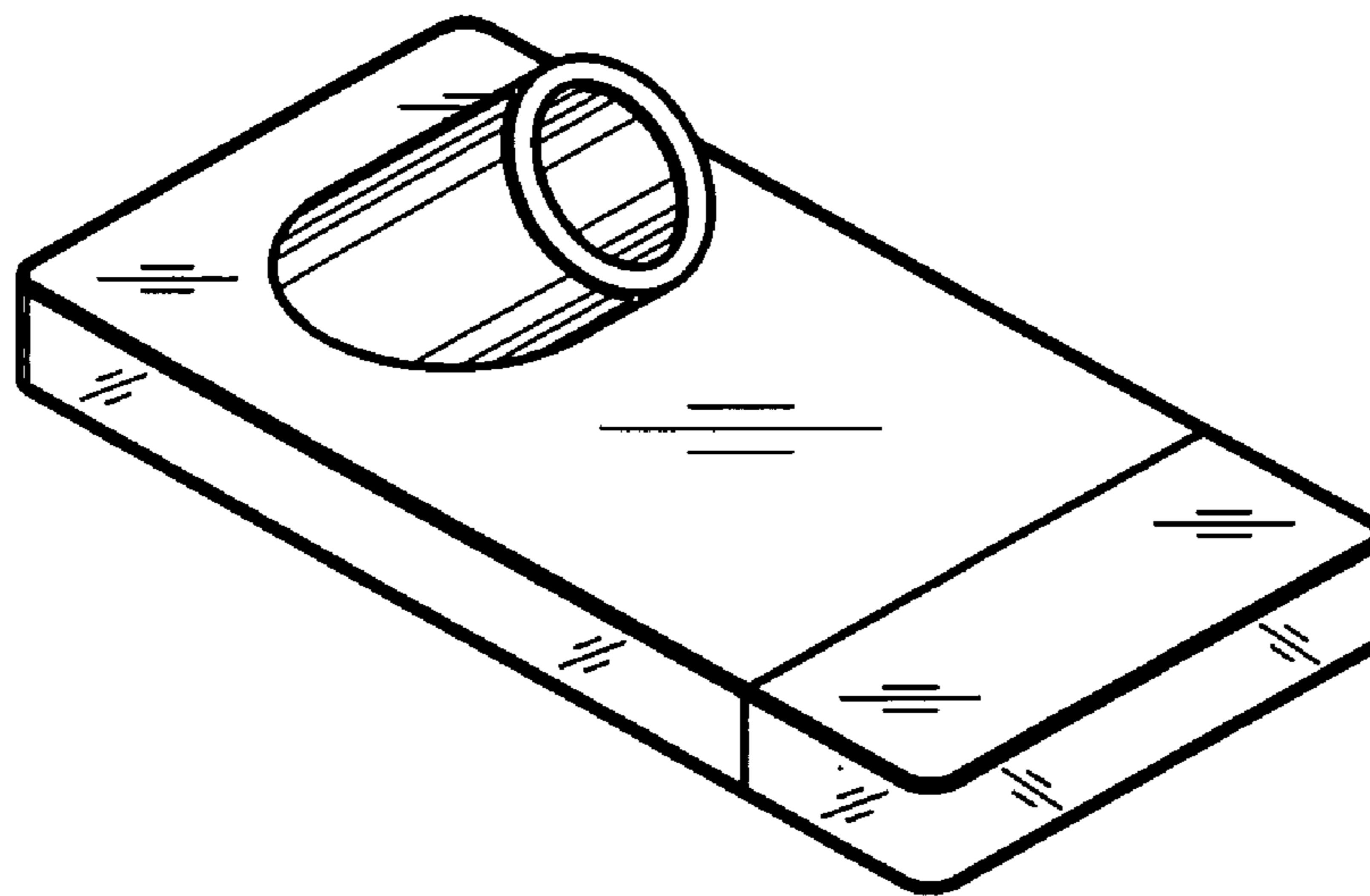


Fig. 9