



US00D653268S

(12) **United States Design Patent**  
**Bindhammer**

(10) **Patent No.:** **US D653,268 S**

(45) **Date of Patent:** **\*\* Jan. 31, 2012**

(54) **MITRE SAW**

(75) Inventor: **Markus Bindhammer**, Shanghai (CN)

(73) Assignee: **Matrix GmbH**, Worth/Isar (DE)

(\*\*) Term: **14 Years**

(21) Appl. No.: **29/383,530**

(22) Filed: **Jan. 19, 2011**

(30) **Foreign Application Priority Data**

Nov. 4, 2010 (EM) ..... 001777194

(51) **LOC (9) Cl.** ..... **15-09**

(52) **U.S. Cl.** ..... **D15/133**

(58) **Field of Classification Search** ..... D8/61,  
D8/64-69; D15/133, 134; 30/377-378,  
30/388-391; 83/377, 378, 388, 397, 468.3,  
83/469

See application file for complete search history.

(56) **References Cited**

**U.S. PATENT DOCUMENTS**

D400,215 S \* 10/1998 Price et al. .... D15/133  
D421,267 S \* 2/2000 Price et al. .... D15/133  
D459,373 S \* 6/2002 Hollinger et al. .... D15/133

D520,033 S \* 5/2006 Firth ..... D15/133  
D535,670 S \* 1/2007 Firth ..... D15/133  
D547,338 S \* 7/2007 Firth ..... D15/133  
D608,375 S \* 1/2010 Kokawa et al. .... D15/133  
D623,204 S \* 9/2010 Weusthof ..... D15/133  
D626,159 S \* 10/2010 Jebb ..... D15/133  
2009/0095141 A1 \* 4/2009 Billings et al. .... 83/468.3

\* cited by examiner

*Primary Examiner* — Patricia Palasik

(74) *Attorney, Agent, or Firm* — Leason Ellis LLP.

(57) **CLAIM**

The ornamental design for a mitre saw, as shown and described.

**DESCRIPTION**

FIG. 1 is a perspective view as viewed from the rear, left side of a mitre saw;

FIG. 2 is a right side view thereof;

FIG. 3 is a rear elevational view thereof;

FIG. 4 is a front elevational view thereof;

FIG. 5 is a top plan view thereof;

FIG. 6 is a bottom plan view thereof; and,

FIG. 7 is a left side view thereof.

The broken lines in the drawings depict unclaimed environmental subject matter.

**1 Claim, 5 Drawing Sheets**

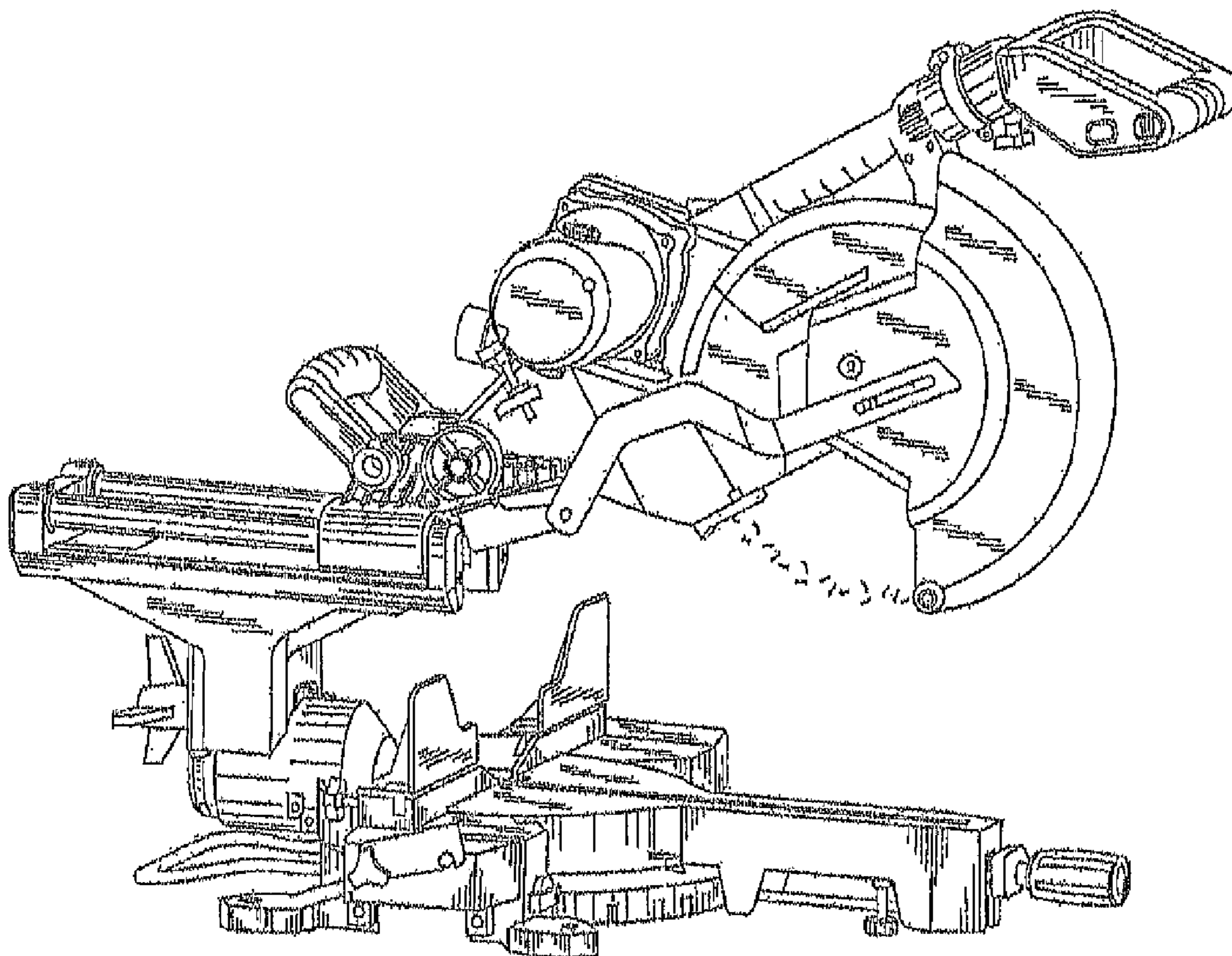


FIG. 1

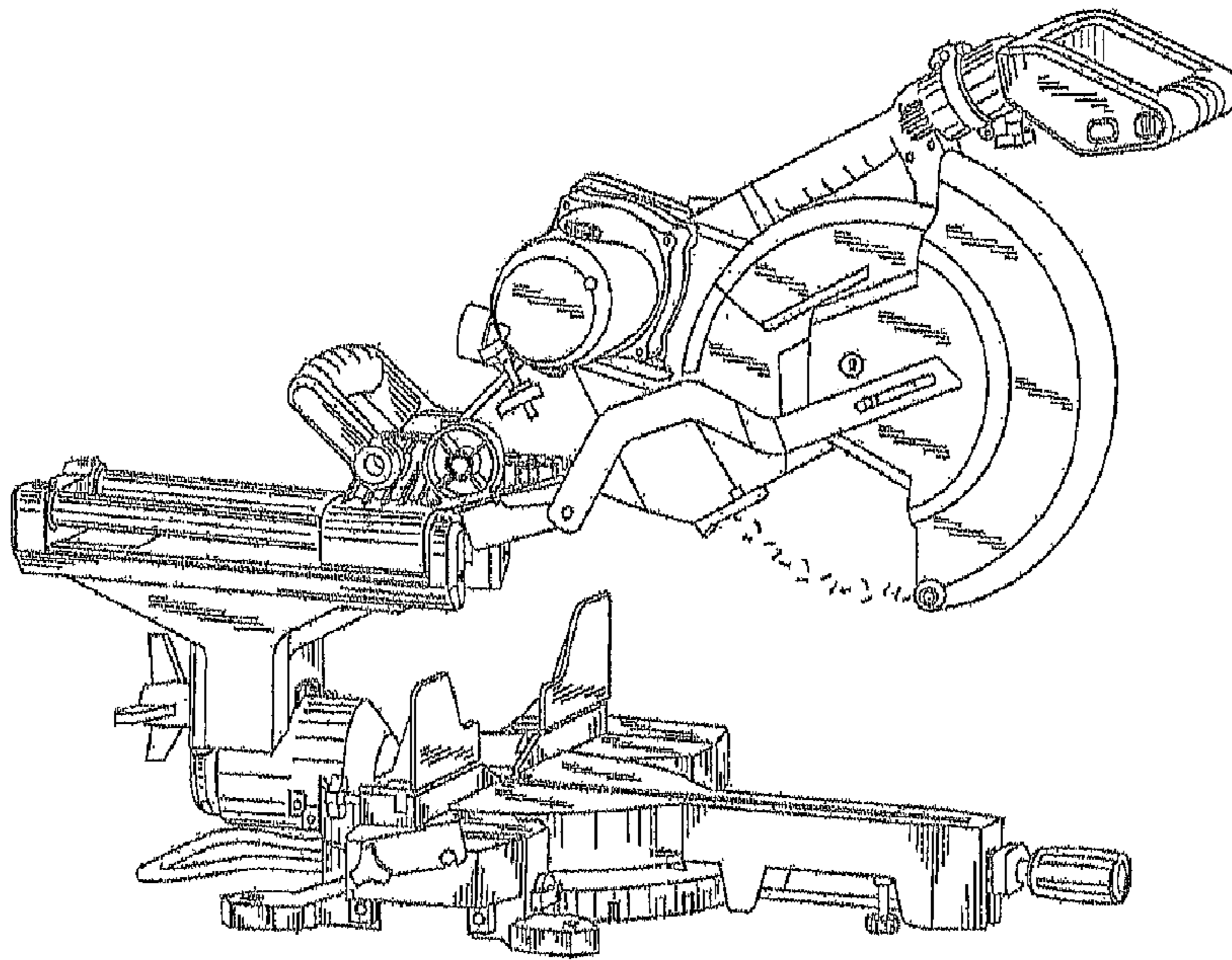


FIG. 2

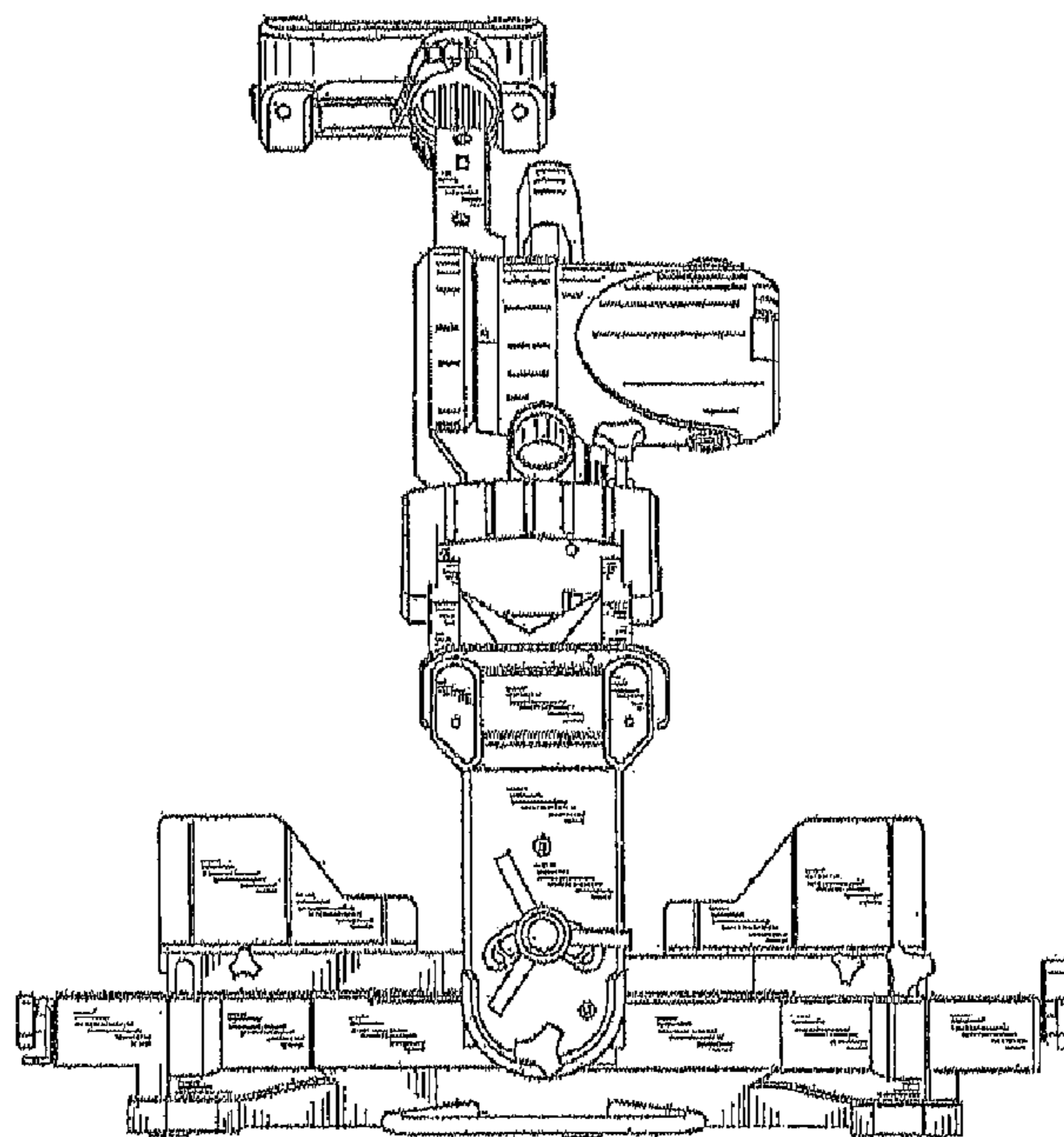


FIG. 3

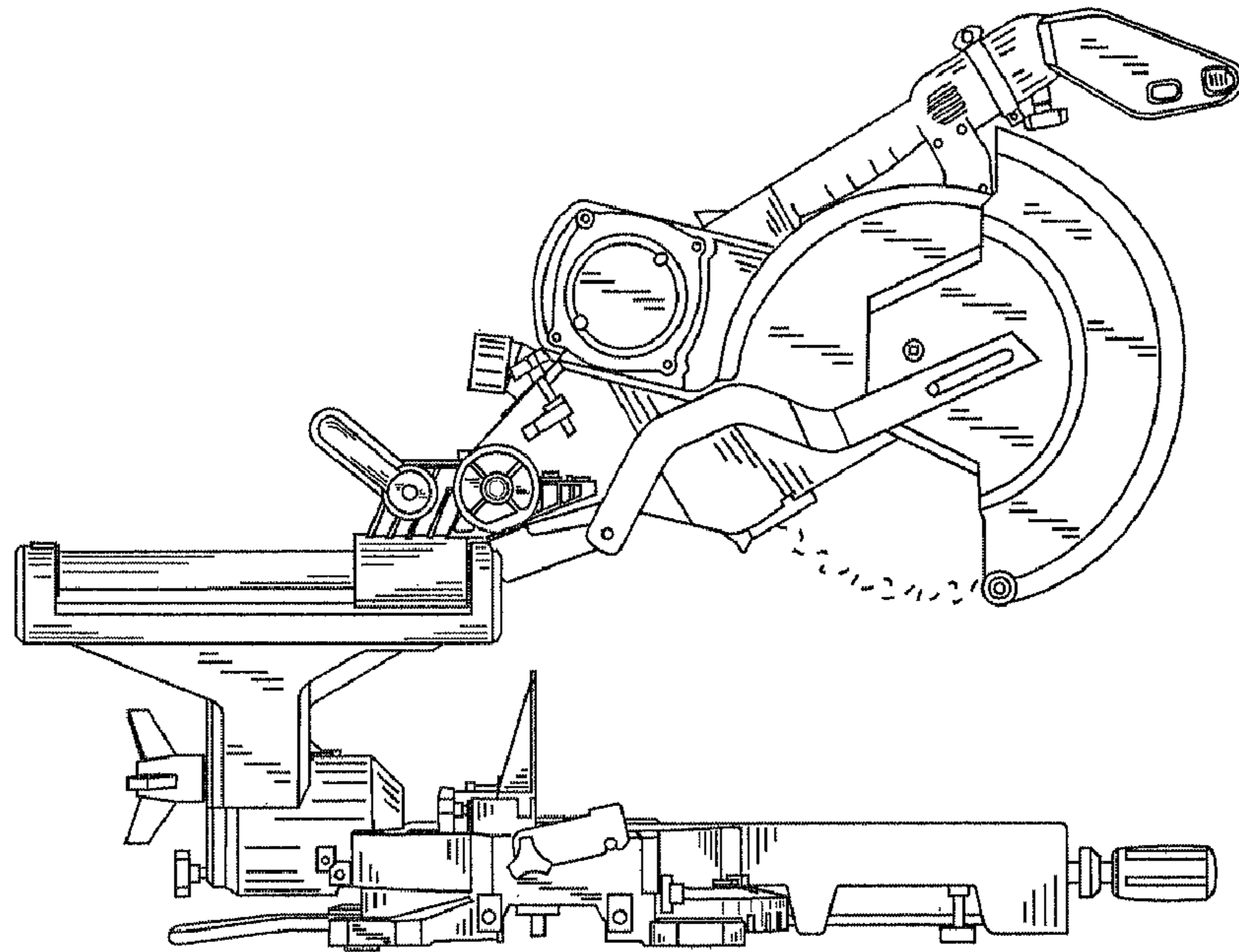


FIG. 4

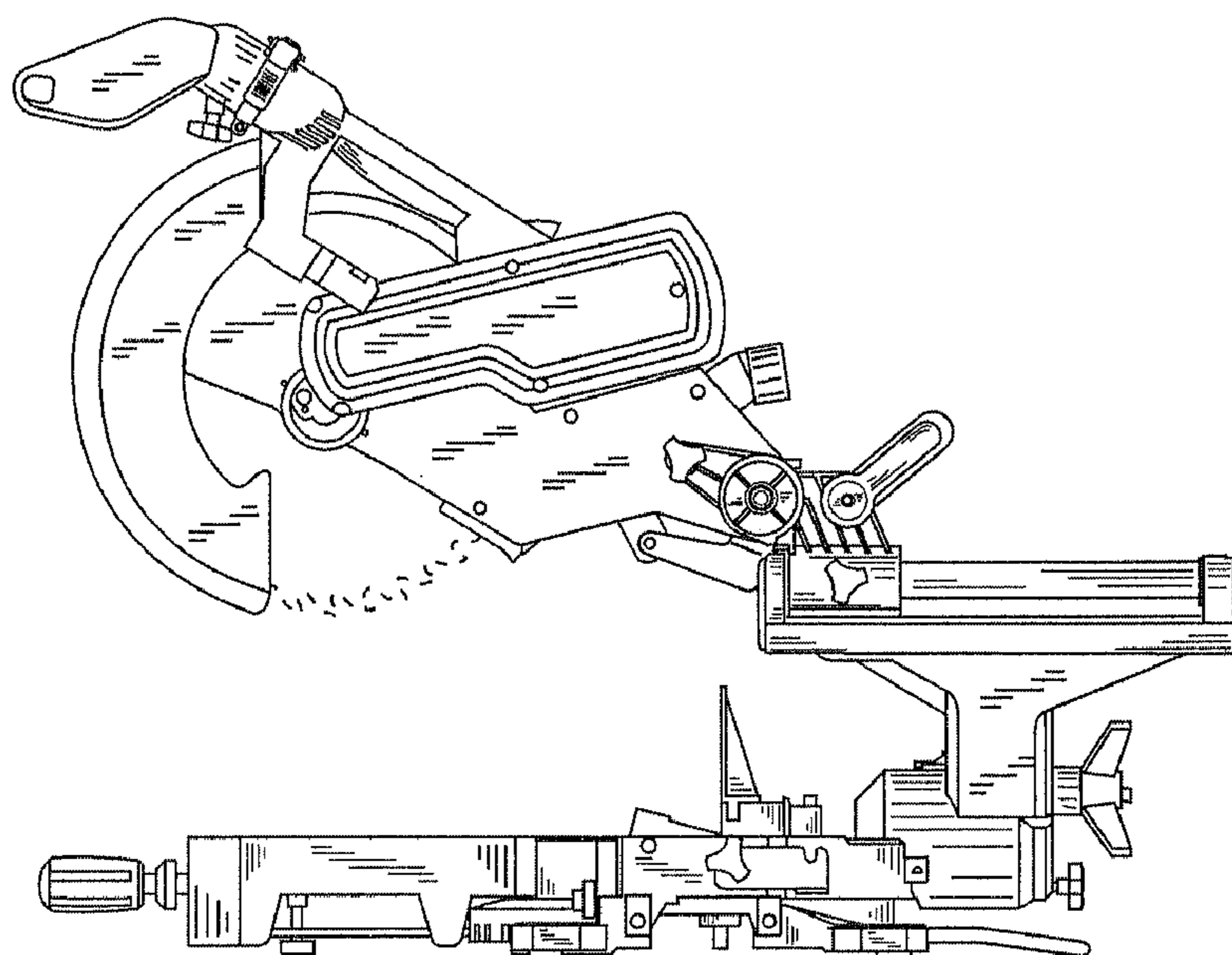


FIG. 5

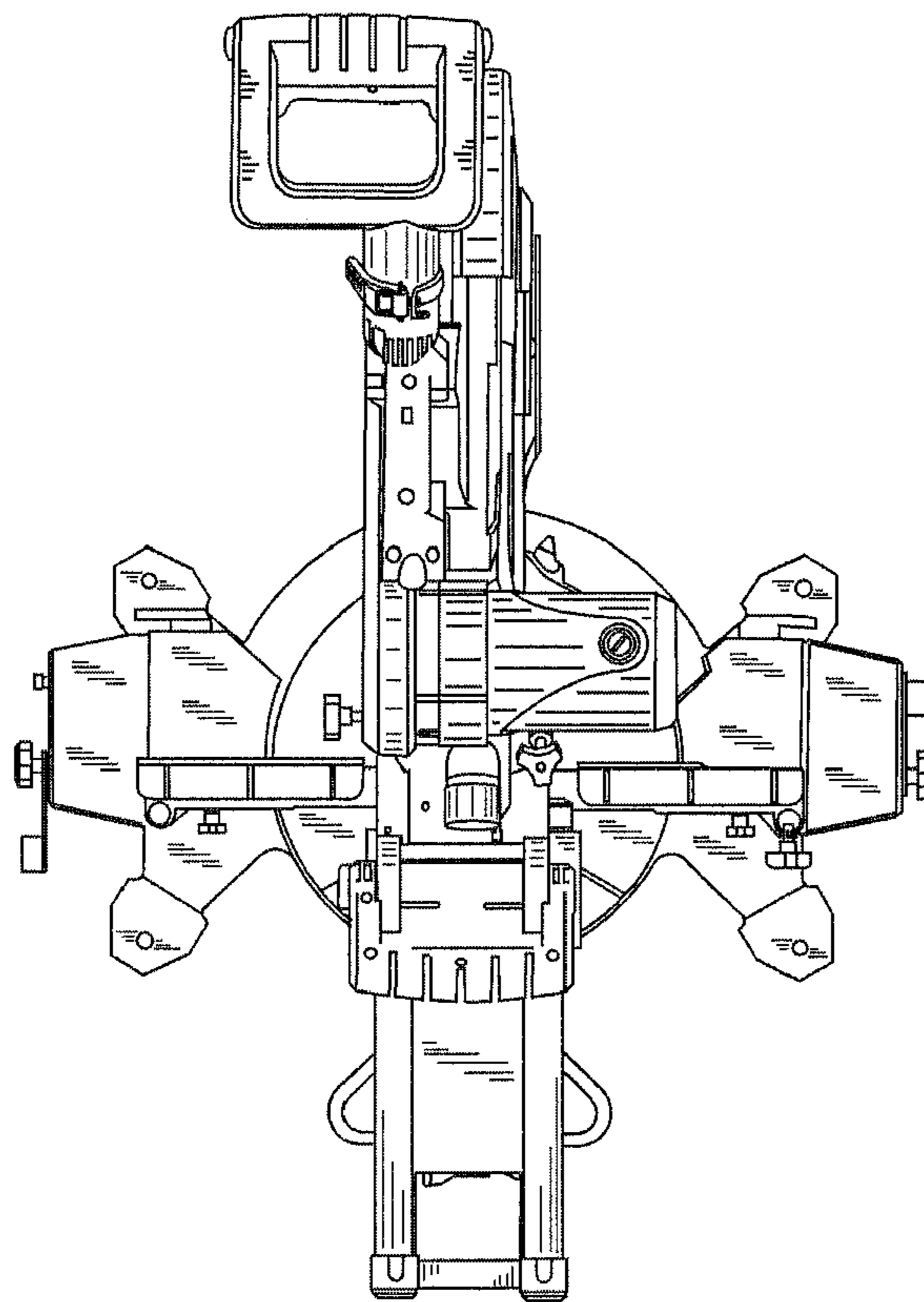


FIG. 6

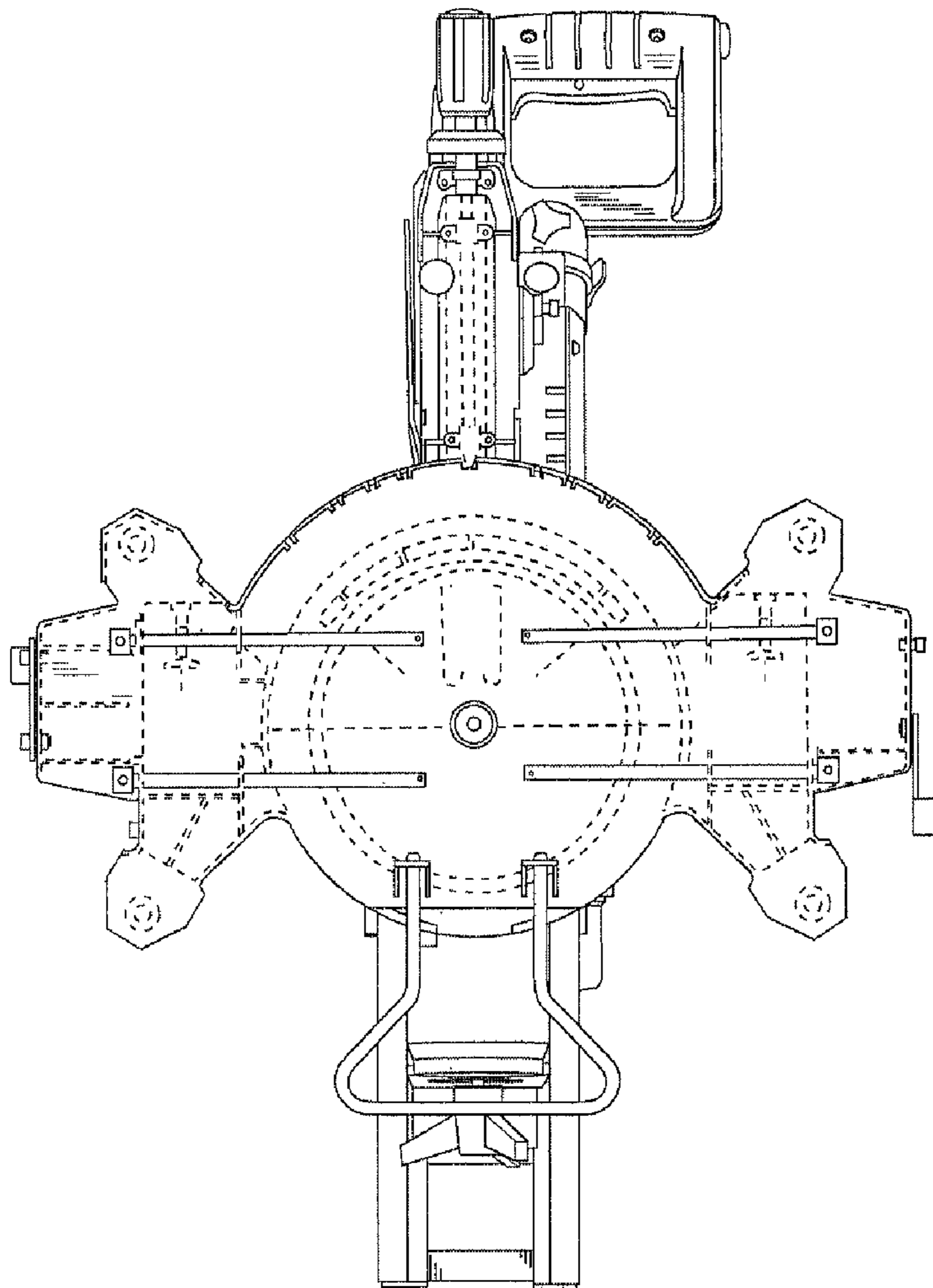


Fig. 7

