



US00D653267S

(12) **United States Design Patent**
Baratta

(10) **Patent No.:** **US D653,267 S**

(45) **Date of Patent:** **** Jan. 31, 2012**

(54) **DRILL STAND BASE**

(75) Inventor: **Anthony Baratta**, Oak Park, CA (US)

(73) Assignee: **Husqvarna Professional Outdoor Products Inc.**, Charlotte, NC (US)

(**) Term: **14 Years**

(21) Appl. No.: **29/356,721**

(22) Filed: **Mar. 2, 2010**

(51) **LOC (9) Cl.** **15-09**

(52) **U.S. Cl.** **D15/132**

(58) **Field of Classification Search** D8/61,
D8/70, 71; D15/132, 140; 175/20, 202,
175/203, 220; 408/9, 12, 16, 17, 75, 76,
408/87, 90, 129, 132, 135, 204, 214 S, 234,
408/235, 236, 710, 712

See application file for complete search history.

(56) **References Cited**

U.S. PATENT DOCUMENTS

3,837,757	A *	9/1974	Levine	408/14
D392,534	S *	3/1998	Degen et al.	D15/132
5,765,273	A *	6/1998	Mora et al.	29/560
5,954,460	A *	9/1999	Degen et al.	408/135
D414,669	S *	10/1999	Howard	D15/140
6,692,201	B2 *	2/2004	Soderman	408/111
D497,622	S *	10/2004	Theising et al.	D15/134
D617,355	S *	6/2010	Baratta	D15/132
D617,818	S *	6/2010	Baratta	D15/132
2004/0151552	A1 *	8/2004	Baratta	408/135
2007/0217879	A1 *	9/2007	Larsson	408/129

FOREIGN PATENT DOCUMENTS

DE	10230460	A1	1/2004
GB	1235962	A	6/1971
WO	9606714	A1	3/1996

* cited by examiner

Primary Examiner — Patricia Palasik

(74) *Attorney, Agent, or Firm* — Novak Druce + Quigg LLP

(57) **CLAIM**

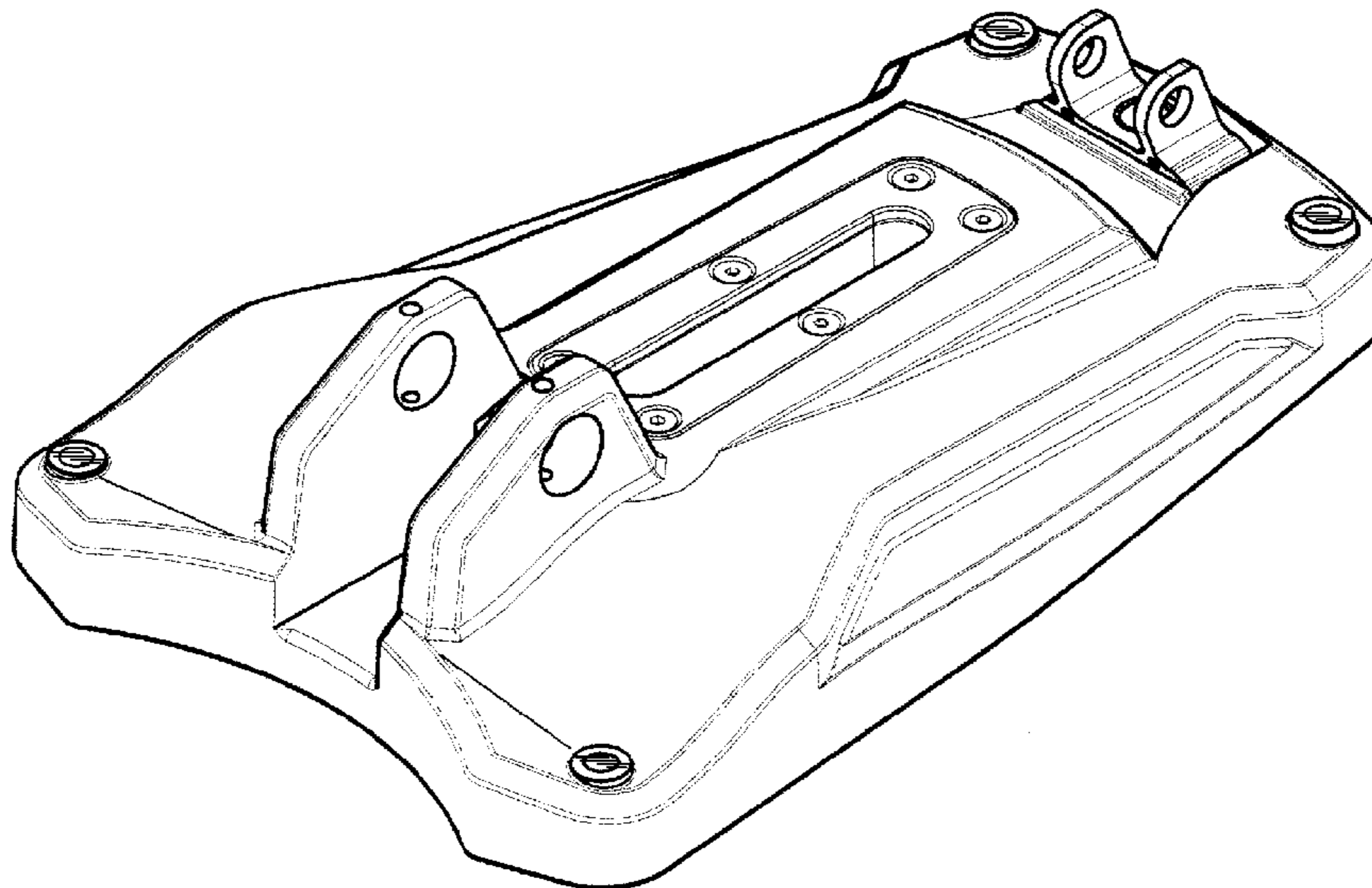
I claim the ornamental design for a drill stand base, as shown and described.

DESCRIPTION

FIG. 1 is a front isometric view of a drill stand base; FIG. 2 is a left elevational view of the drill stand base; FIG. 3 is a right elevational view of the drill stand base; FIG. 4 is a back elevational view of the drill stand base; FIG. 5 is a front elevational view of the drill stand base; FIG. 6 is a top plan view of the drill stand base; FIG. 7 is a bottom plan view of the drill stand base; FIG. 8 is a front isometric view of a second embodiment of the drill stand base; FIG. 9 is a left elevational view of the second embodiment of the drill stand base; FIG. 10 is a right elevational view of the second embodiment of the drill stand base; FIG. 11 is a back elevational view of the second embodiment of the drill stand base; FIG. 12 is a front elevational view of the second embodiment of the drill stand base; FIG. 13 is a top plan view of the second embodiment of the drill stand base; and, FIG. 14 is a bottom plan view of the second embodiment of the base.

The broken lines shown in the drawings are for illustrative purposes only and form no part of the claimed design.

1 Claim, 8 Drawing Sheets



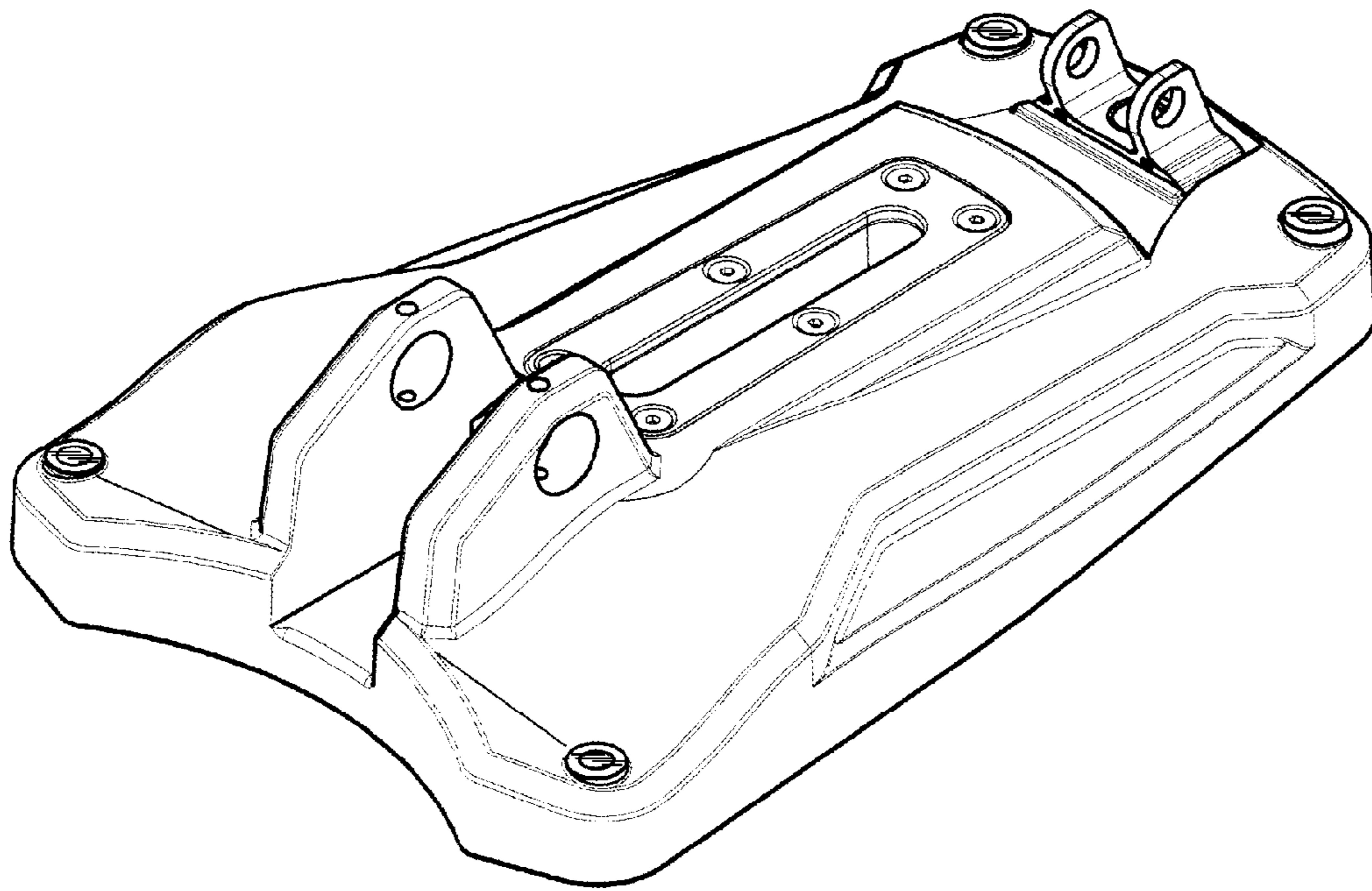


FIG. 1

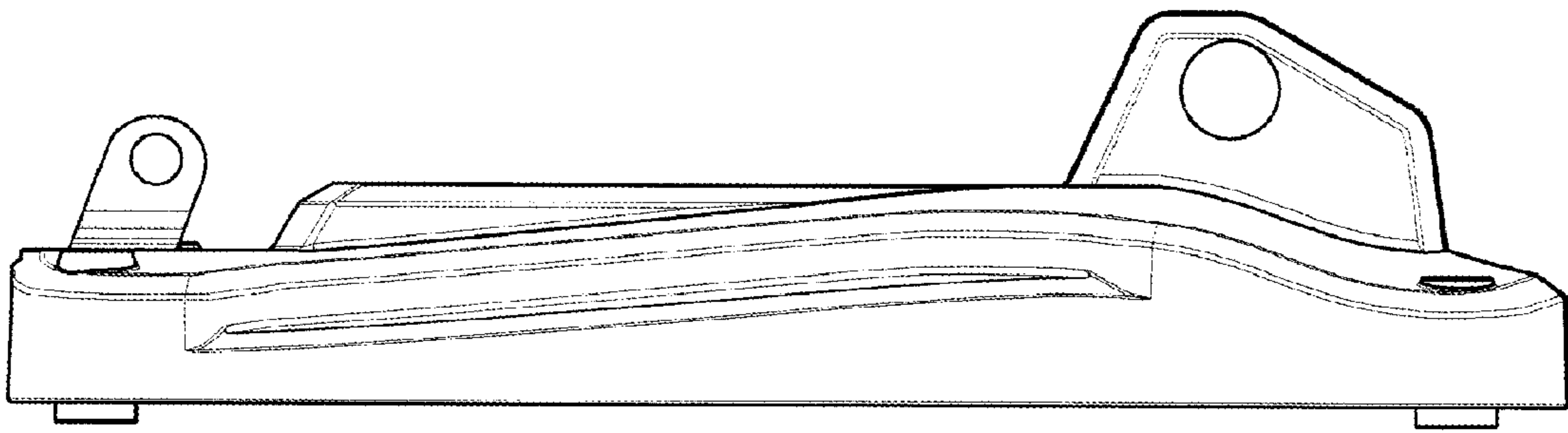


FIG. 2

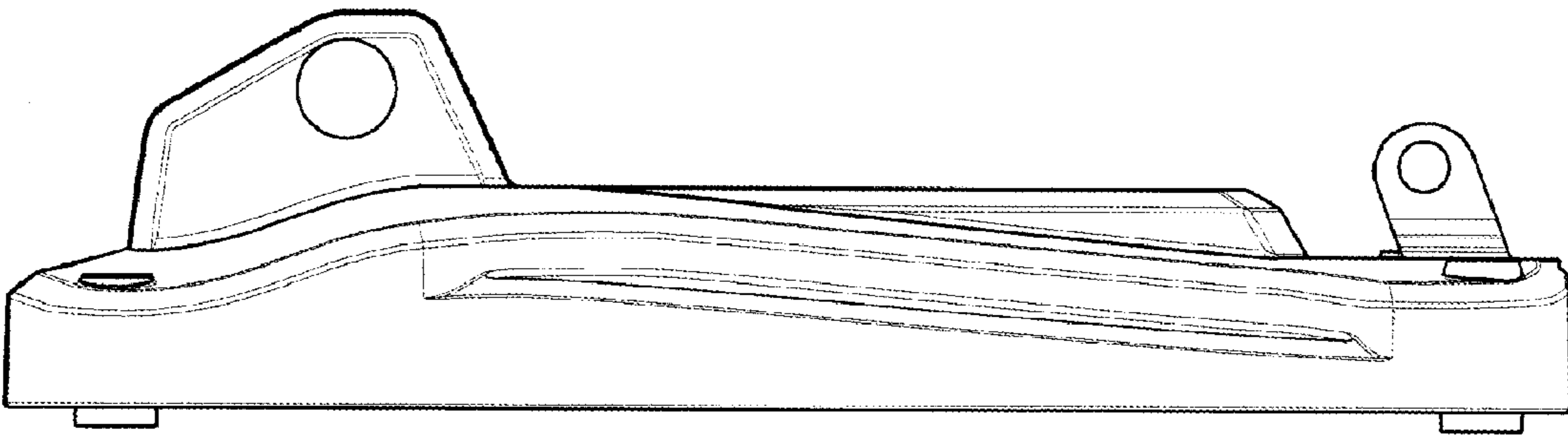


FIG. 3

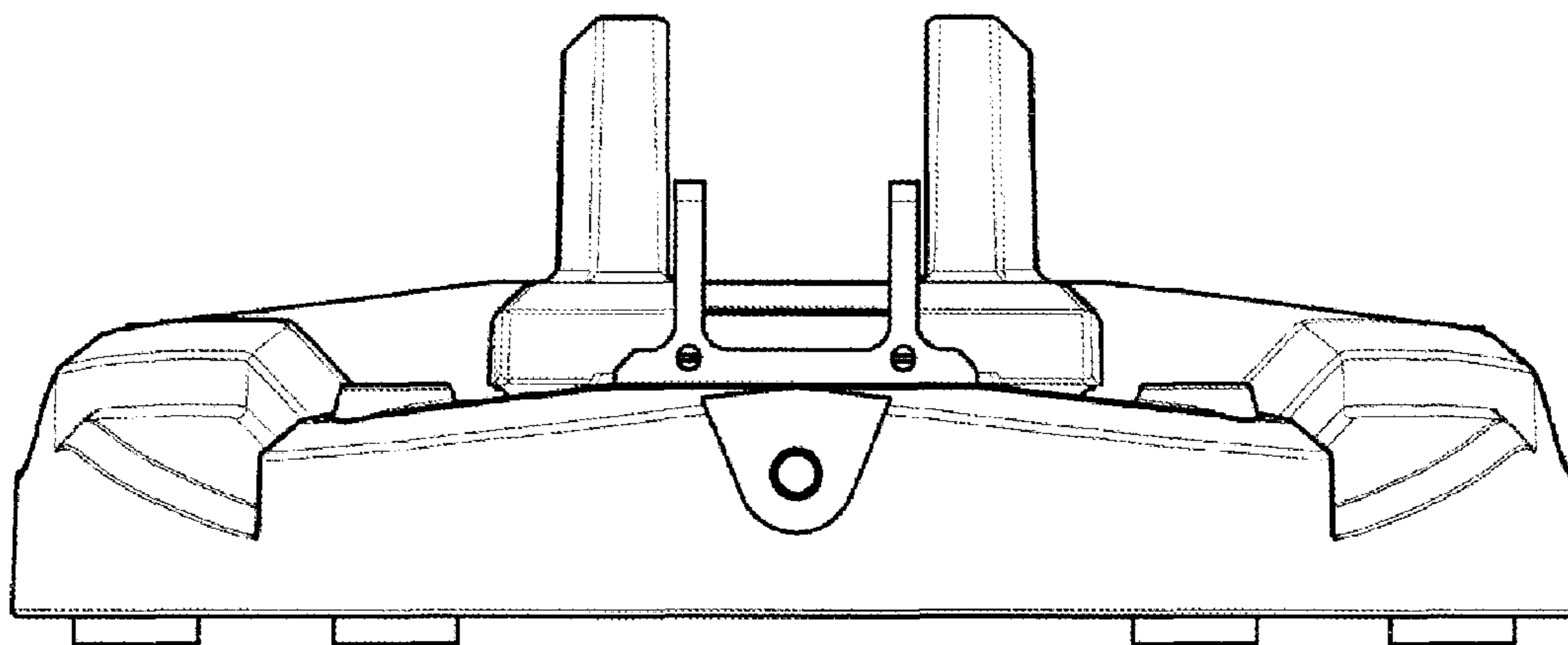


FIG. 4

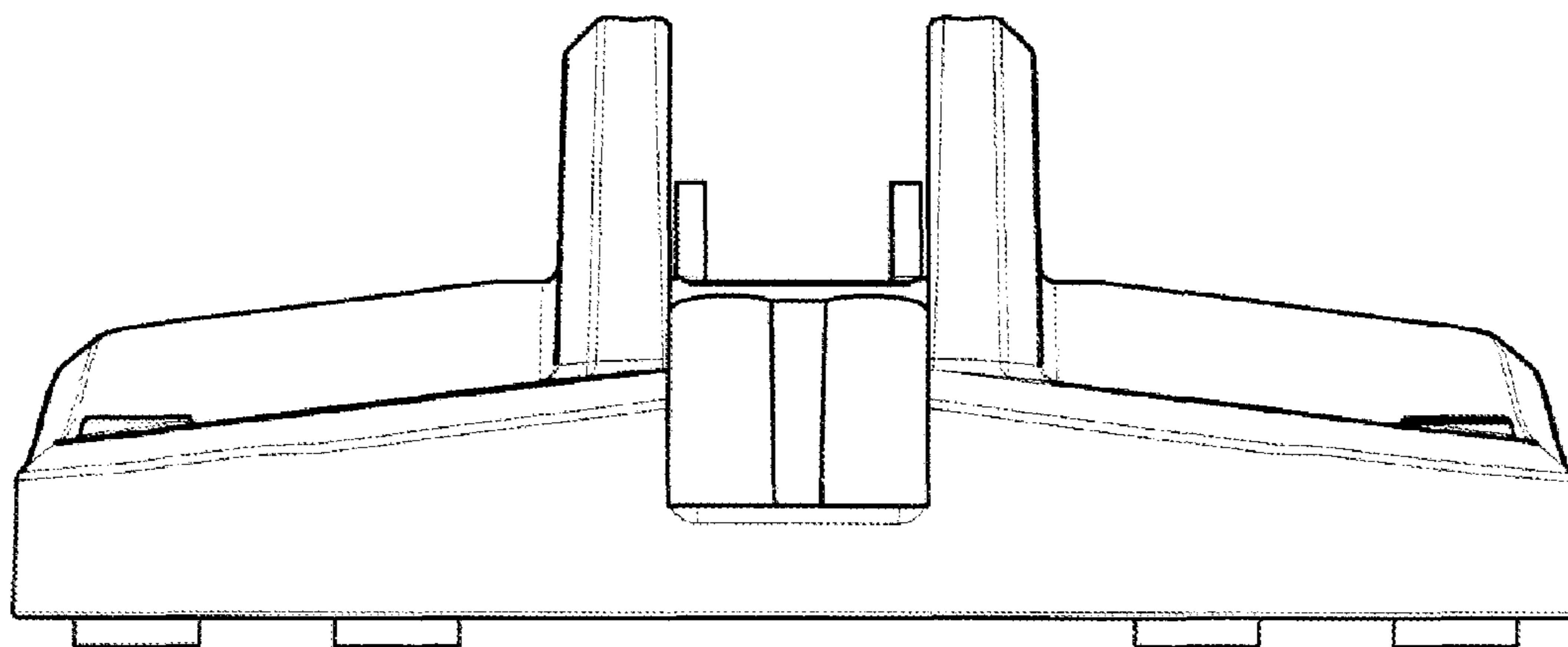


FIG. 5

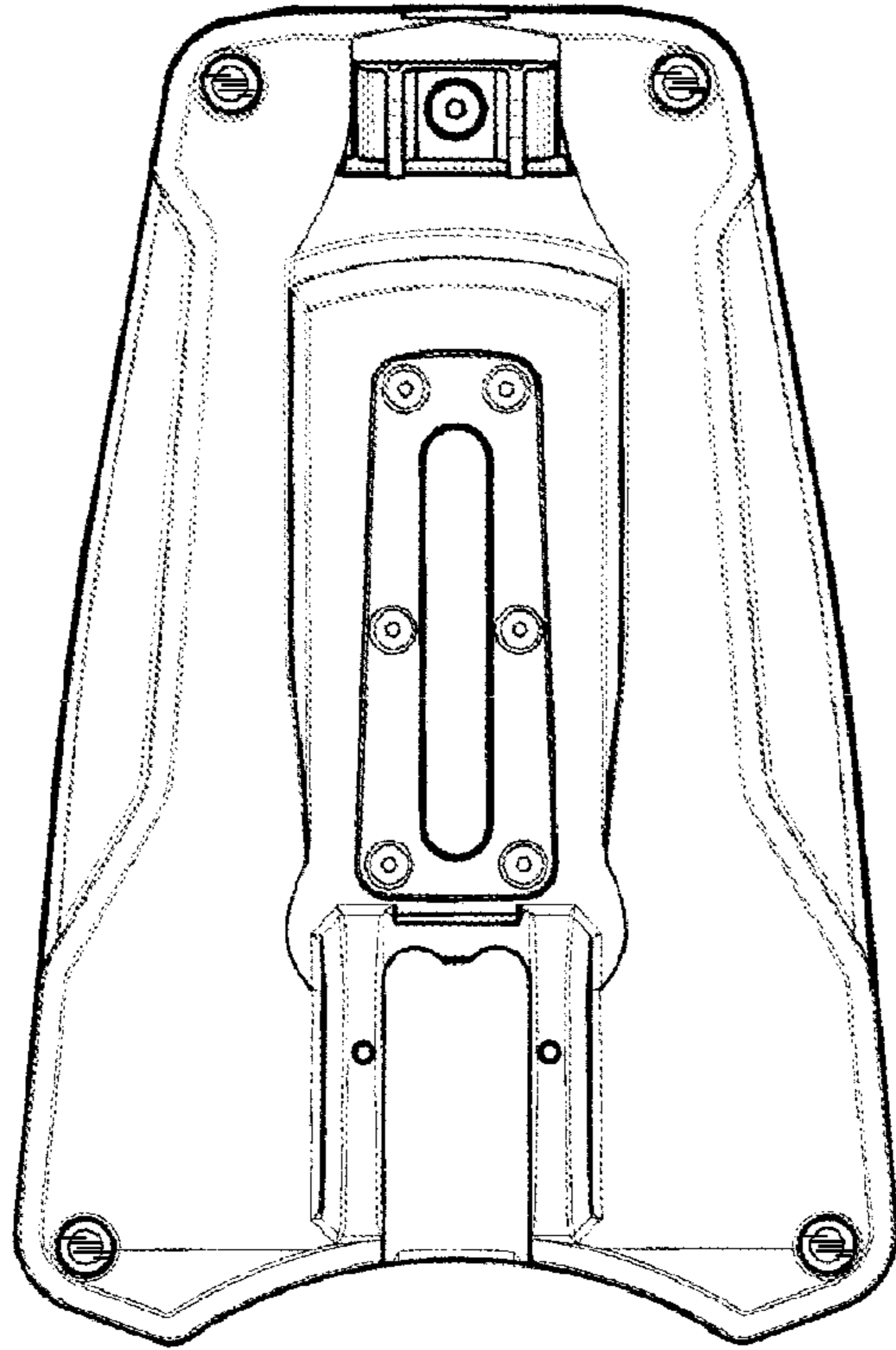


FIG. 6

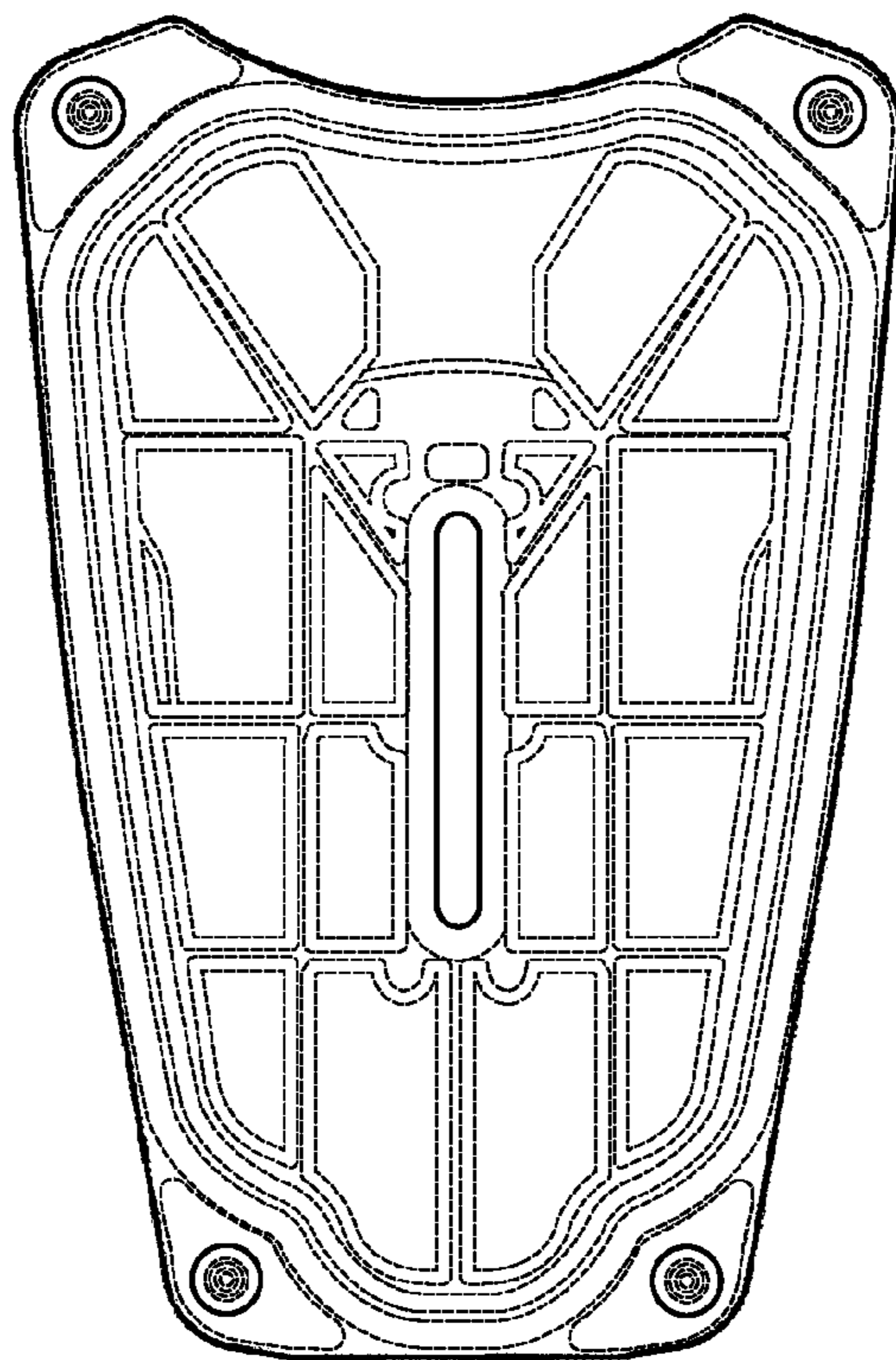


FIG. 7

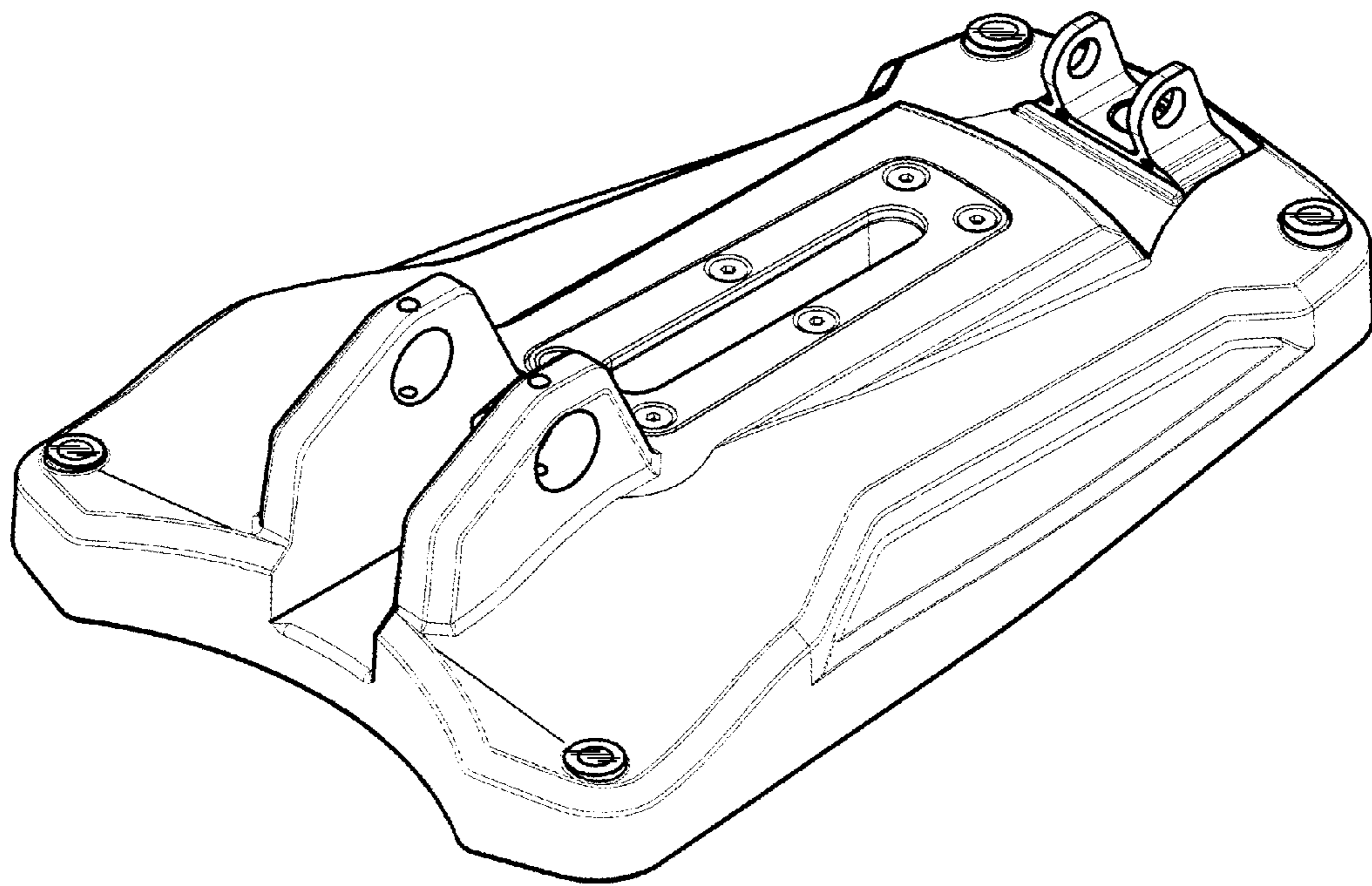


FIG. 8

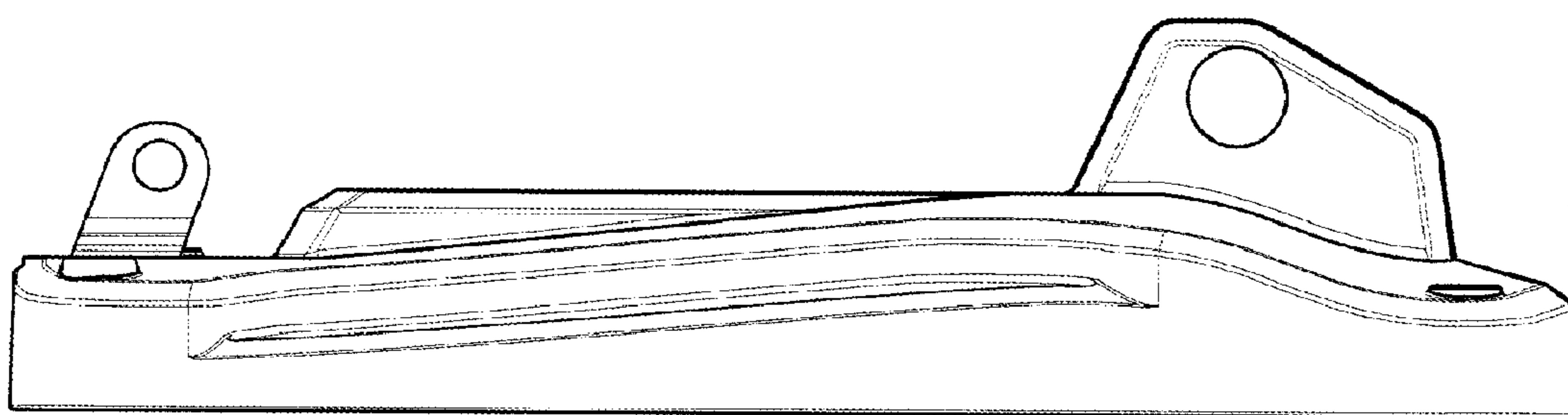


FIG. 9



FIG. 10

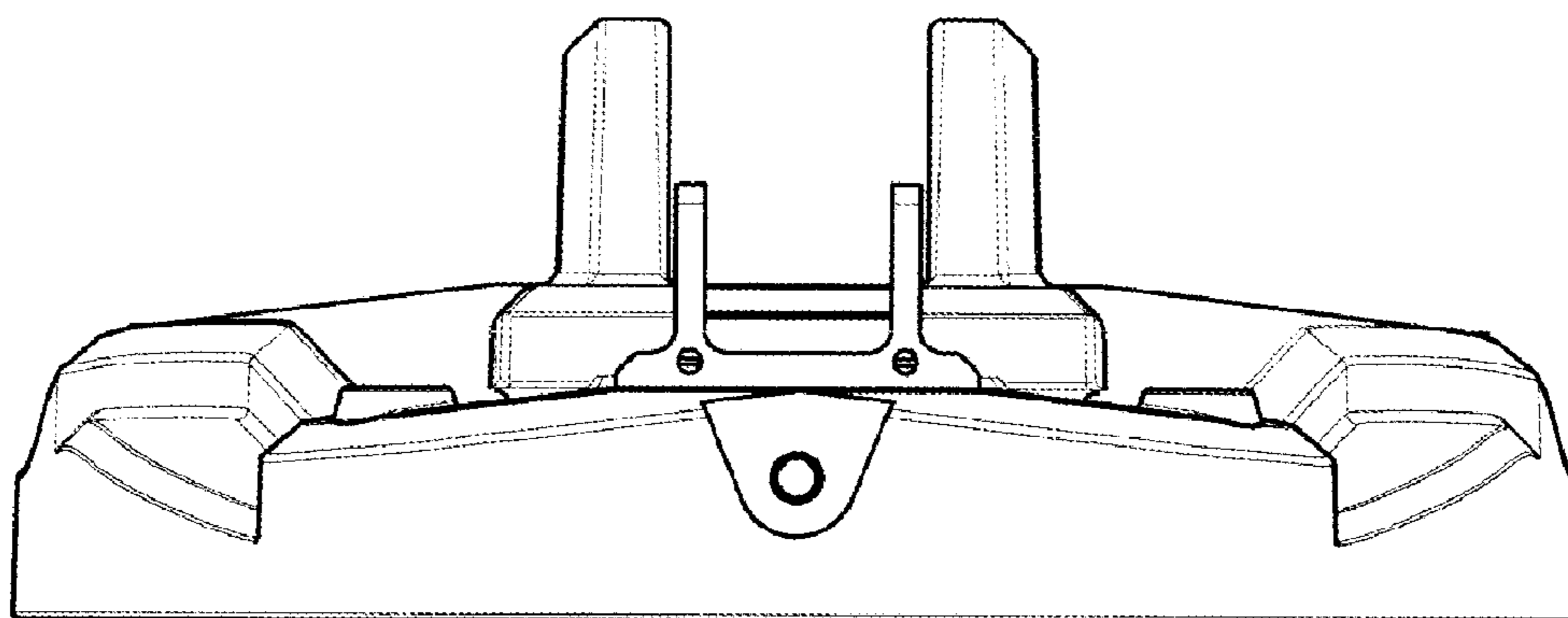


FIG. 11

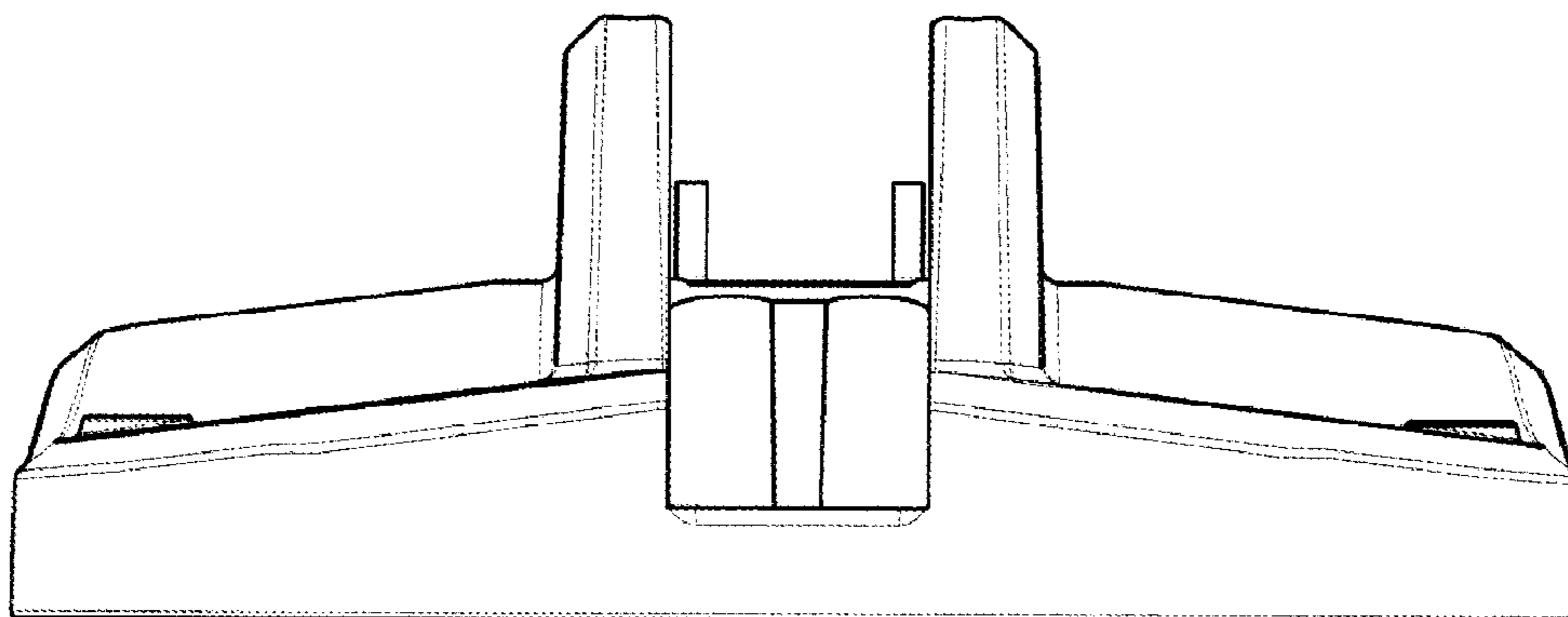


FIG. 12

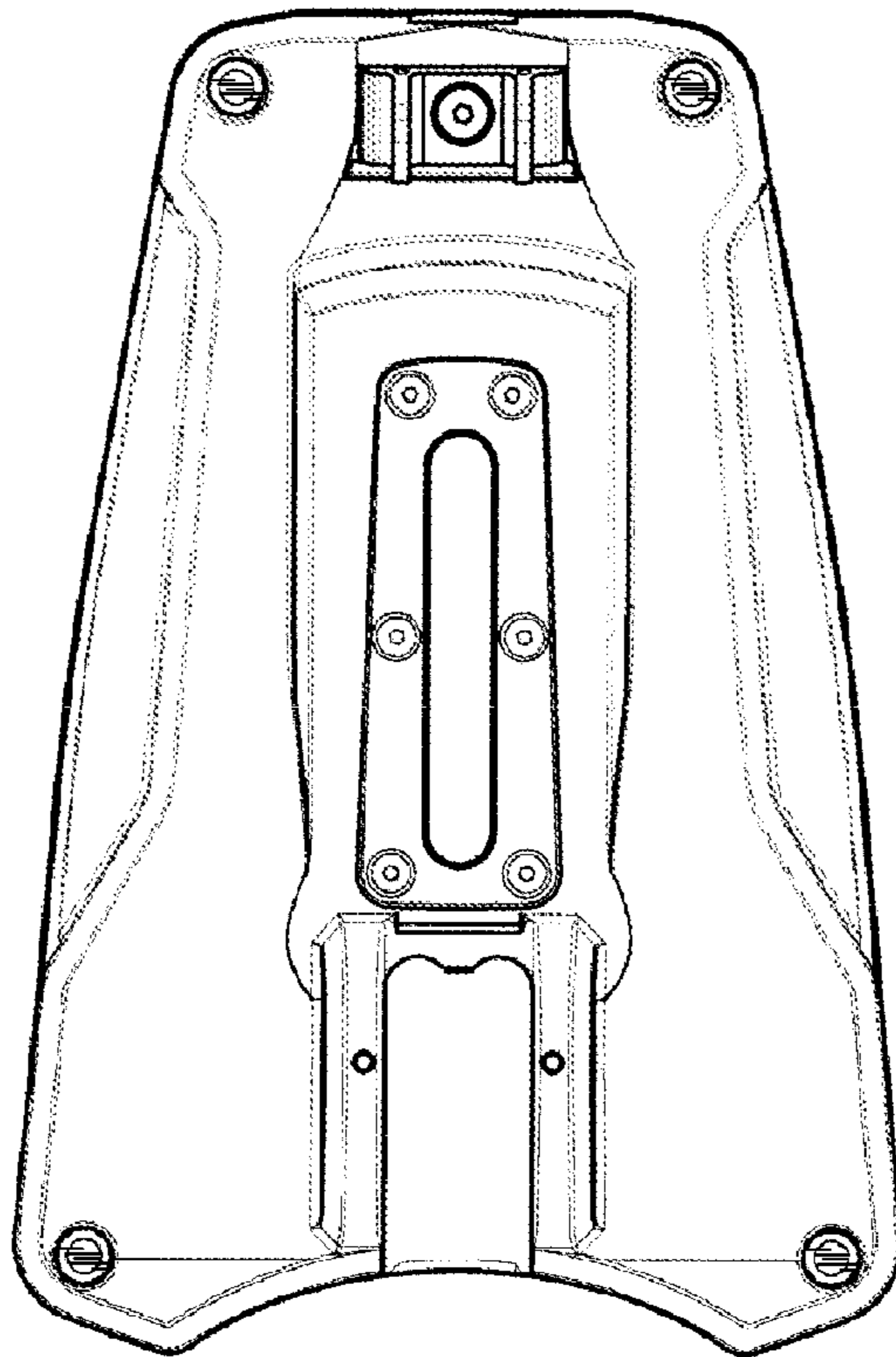


FIG. 13

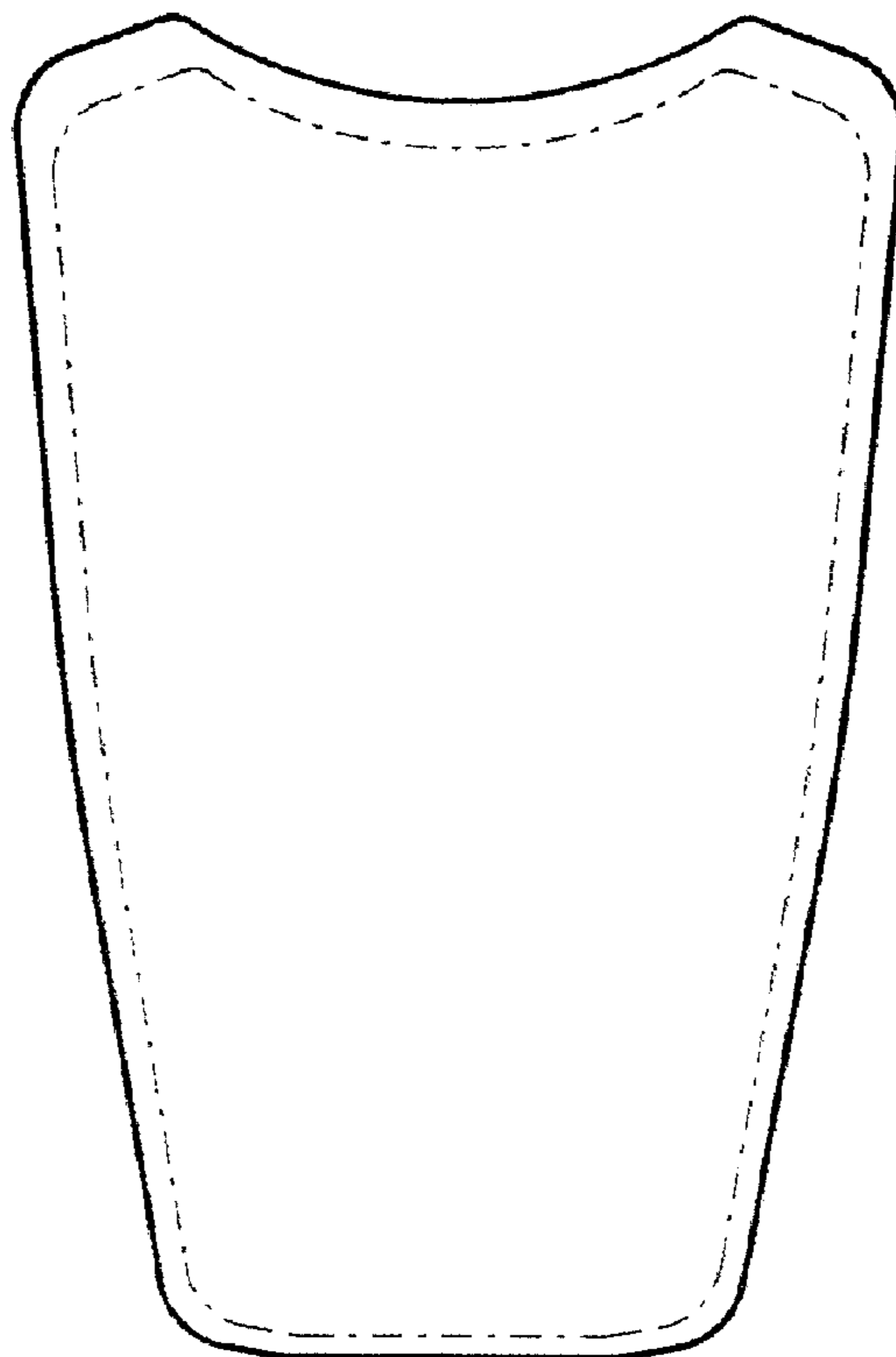


FIG. 14