



US00D653266S

(12) **United States Design Patent**
Woodward et al.

(10) **Patent No.:** **US D653,266 S**

(45) **Date of Patent:** **** Jan. 31, 2012**

(54) **PVC CUT AND BEVEL MACHINE**

(76) Inventors: **Stephen W. Woodward**, Meadville, PA (US); **Robert M. Sterner**, Erie, PA (US)

(**) Term: **14 Years**

(21) Appl. No.: **29/374,359**

(22) Filed: **Aug. 2, 2011**

(51) **LOC (9) Cl.** **15-09**

(52) **U.S. Cl.** **D15/127**

(58) **Field of Classification Search** D15/127;
30/97, 128, 180; 83/343-347, 481, 563;
239/420; 266/56, 57

See application file for complete search history.

(56) **References Cited**

U.S. PATENT DOCUMENTS

3,807,047	A *	4/1974	Sherer et al.	30/97
3,942,248	A *	3/1976	Sherer et al.	30/97
4,001,935	A *	1/1977	Krohn et al.	30/128
4,042,175	A *	8/1977	Johnson	239/420
4,081,904	A *	4/1978	Krohn et al.	30/128
4,206,664	A *	6/1980	Miyagawa	82/113
4,318,289	A *	3/1982	Eaton	72/131
D329,436	S *	9/1992	Saito	D15/127
5,605,083	A *	2/1997	Lupke et al.	82/67
D409,630	S *	5/1999	Cornell et al.	D15/127
5,956,853	A *	9/1999	Watamura	30/95
7,415,915	B2 *	8/2008	Parrish et al.	83/617

D619,629	S *	7/2010	Sinders et al.	D15/127
2003/0159558	A1 *	8/2003	Takayama	83/100
2004/0035171	A1 *	2/2004	Gormany	72/125
2007/0028451	A1 *	2/2007	Kaehr et al.	30/102
2007/0240311	A1 *	10/2007	Kangas et al.	30/101
2008/0229584	A1 *	9/2008	Shepherd	30/99
2009/0235532	A1 *	9/2009	Stratford-Smith	30/102

* cited by examiner

Primary Examiner — Patricia Palasik

(74) *Attorney, Agent, or Firm* — Richard K Thomson

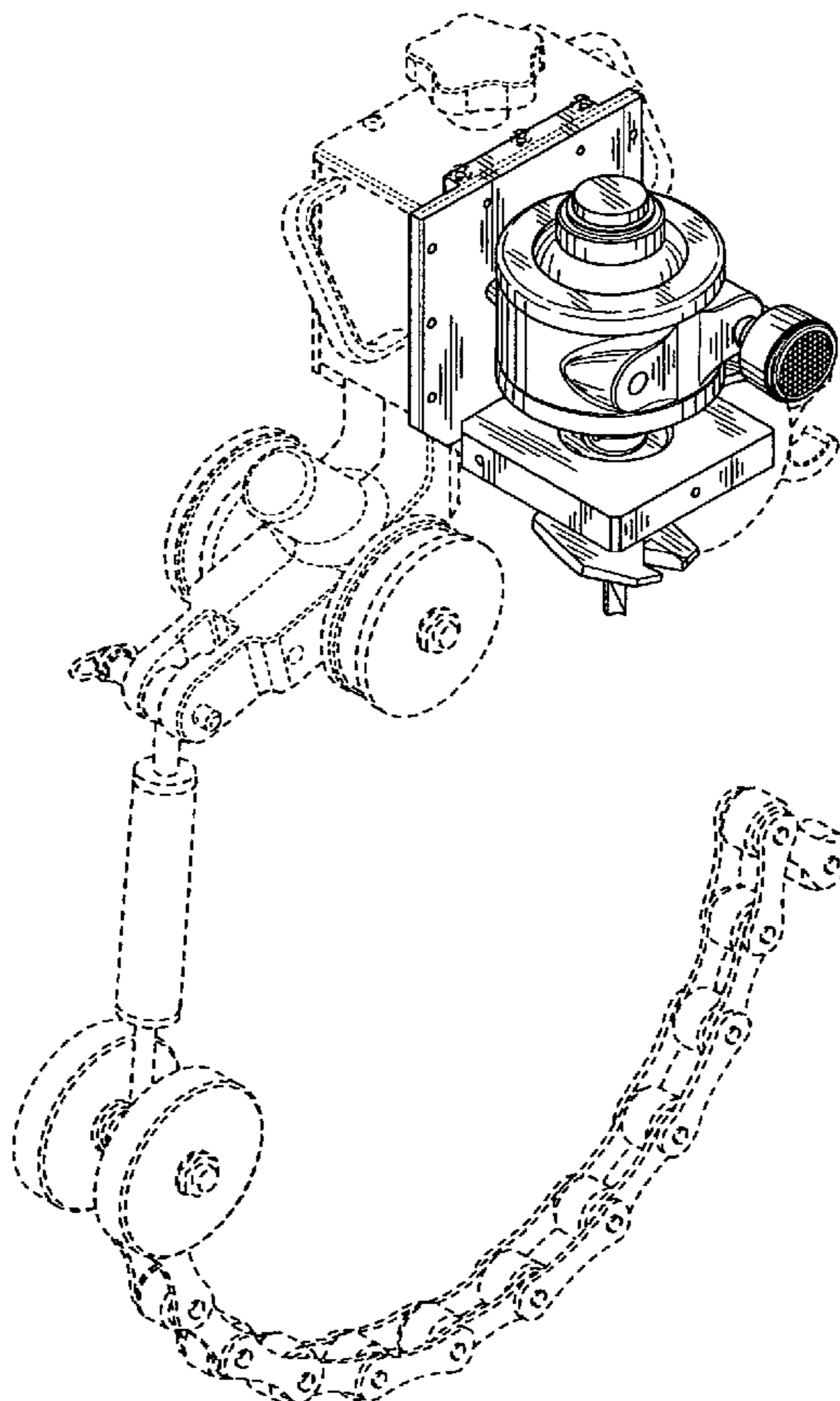
(57) **CLAIM**

The ornamental design for a PVC cut and bevel machine, as shown and described.

DESCRIPTION

FIG. 1 is a front perspective view of the PVC cut and bevel machine of the present invention;
 FIG. 2 is a front view of the PVC cut and bevel machine;
 FIG. 3 is a back view of the PVC cut and bevel machine;
 FIG. 4 is a view of right side of the PVC cut and bevel machine;
 FIG. 5 is a view of the PVC cut and bevel machine
 FIG. 6 is a top view of the PVC cut and bevel machine; and,
 FIG. 7 is a bottom view of the PVC cut and bevel machine.
 The broken lines in the drawings depict unclaimed environmental subject matter.

1 Claim, 3 Drawing Sheets



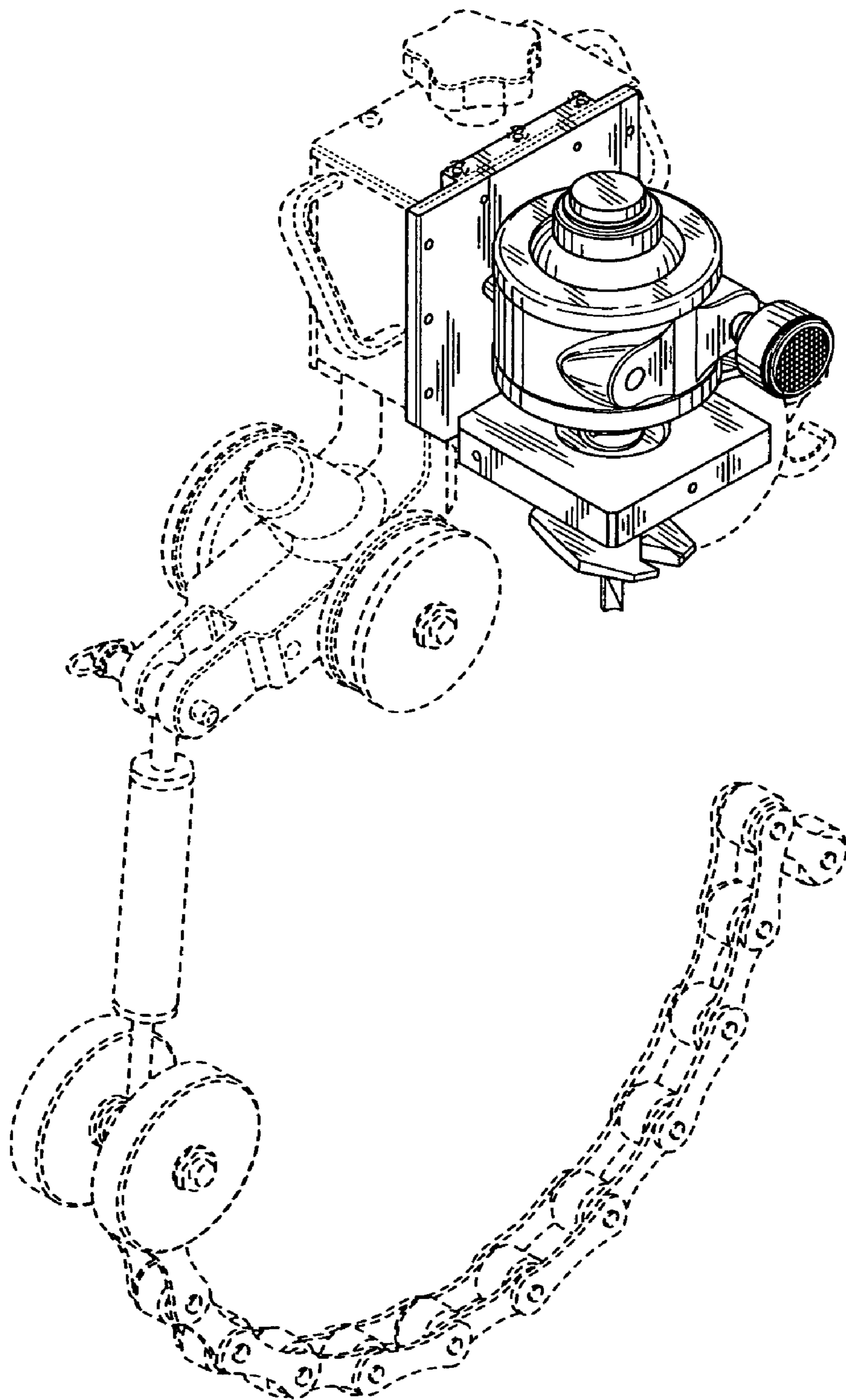


Fig. 1

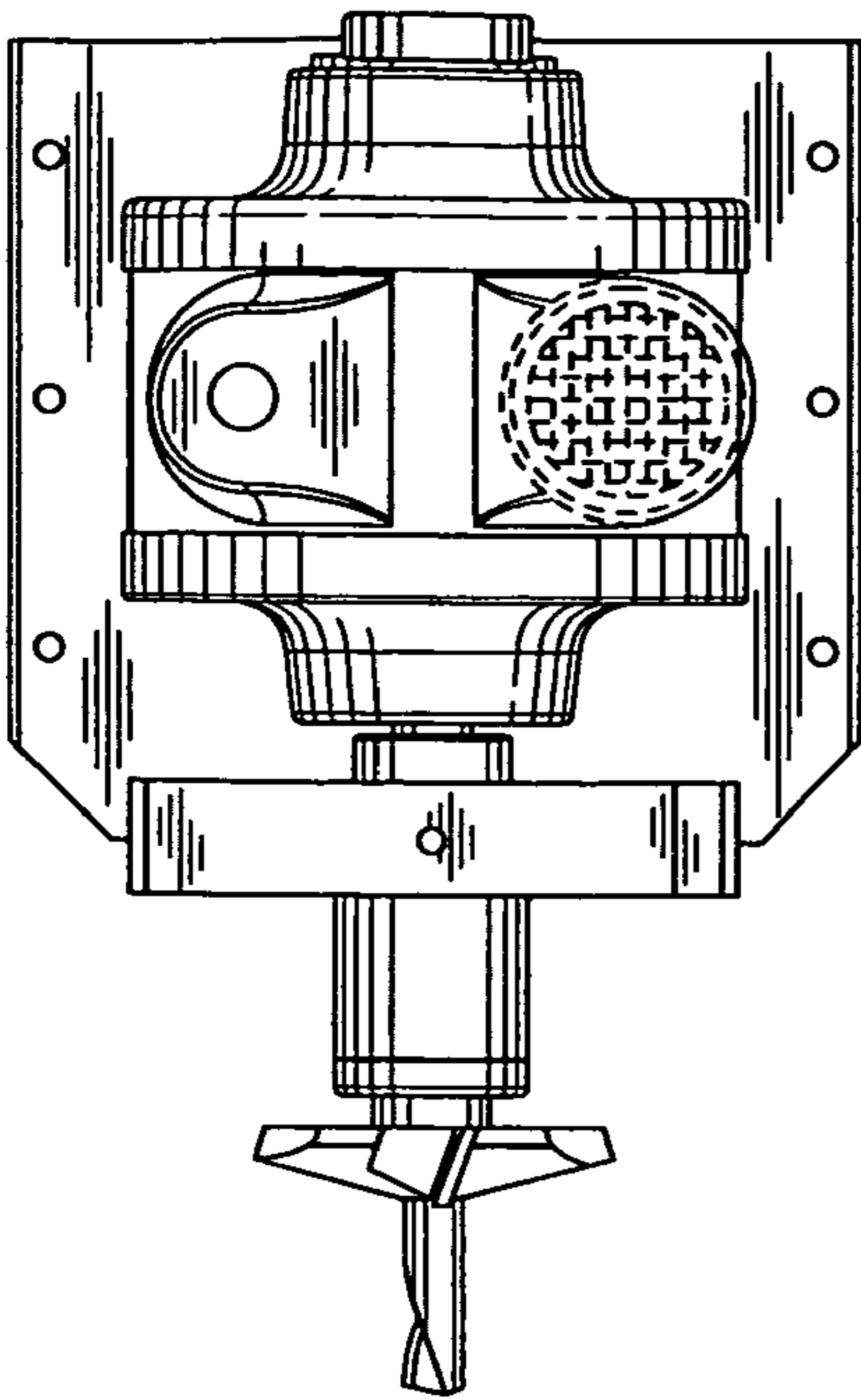


Fig. 2

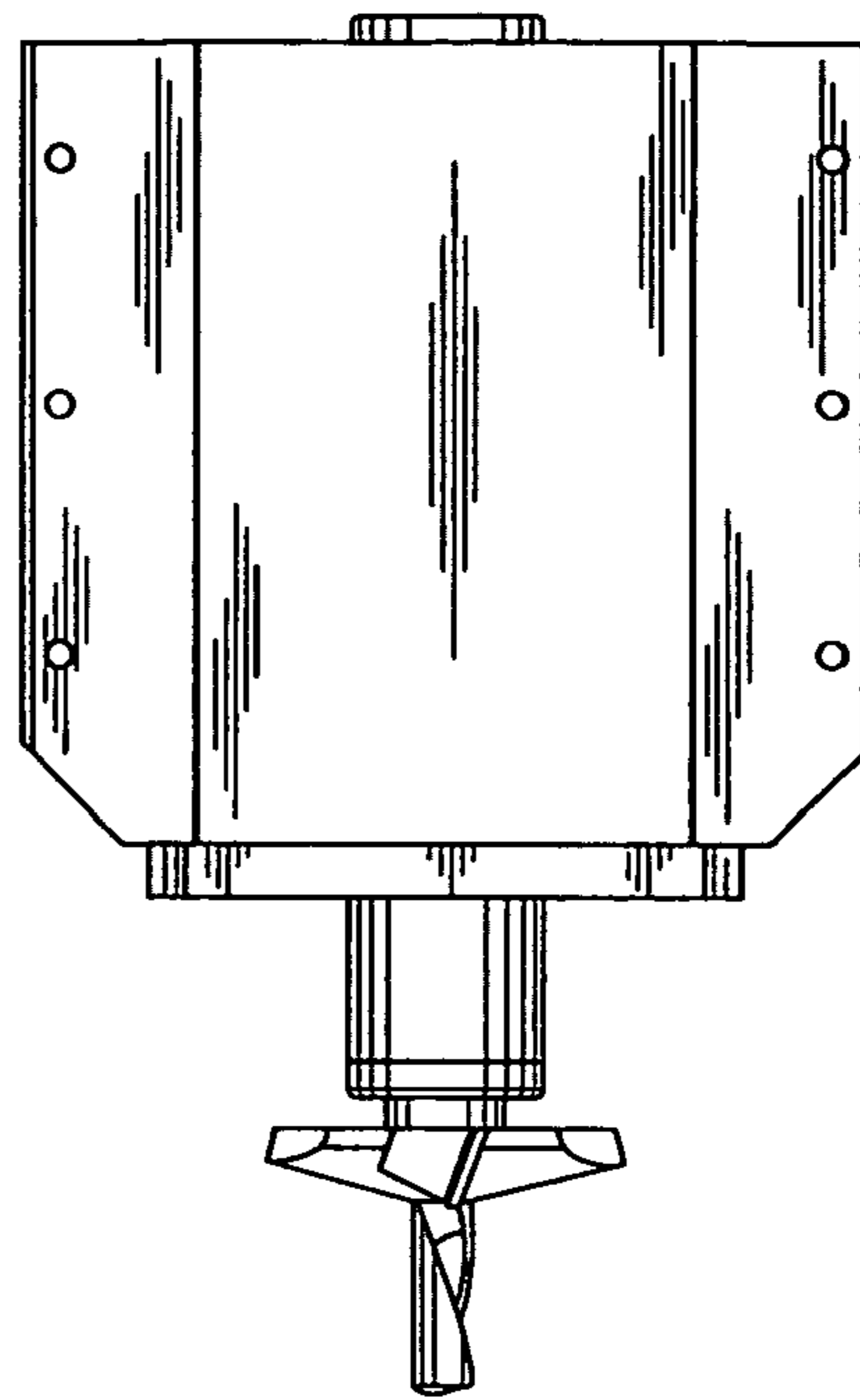


Fig. 3

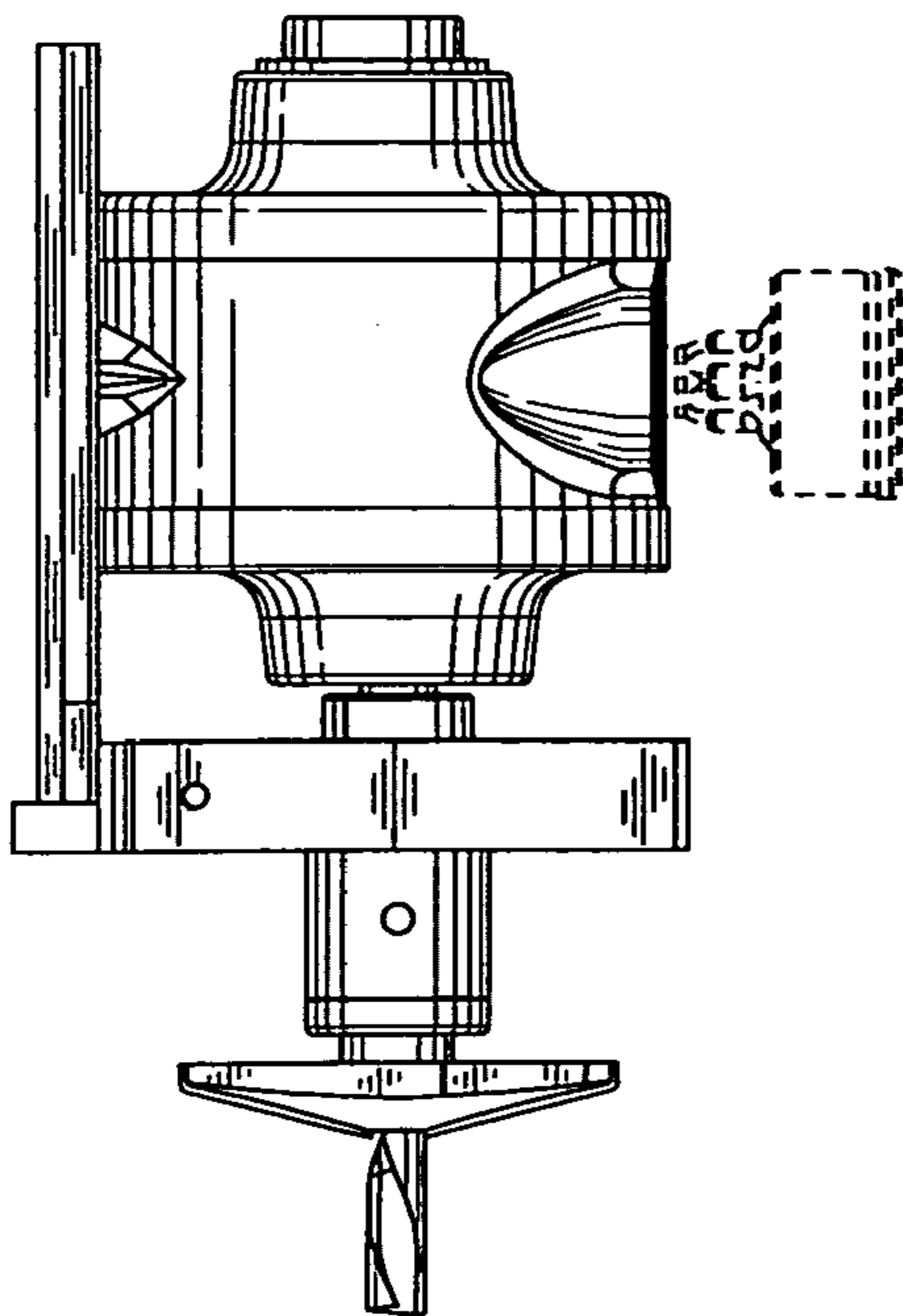


Fig. 4

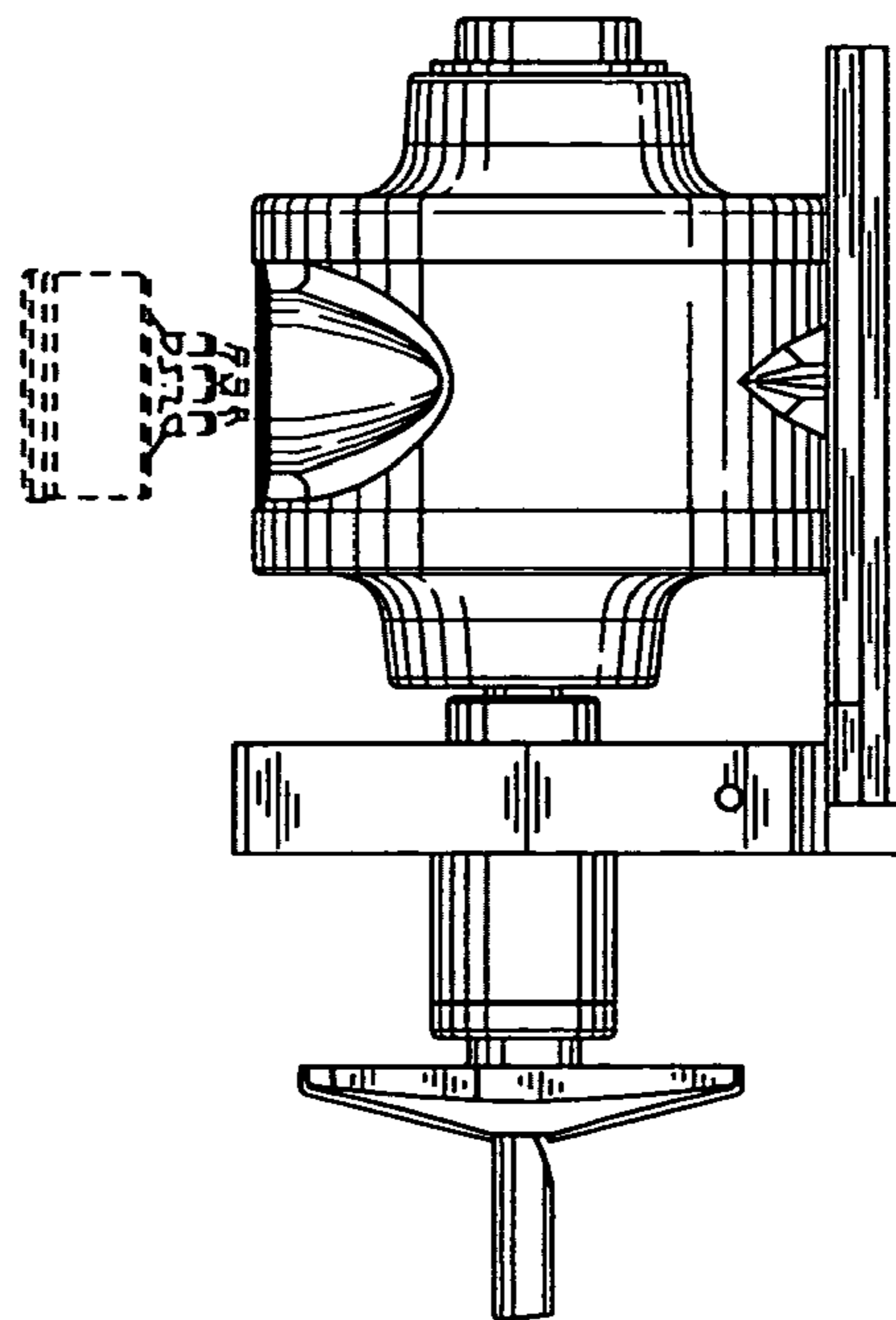


Fig. 5

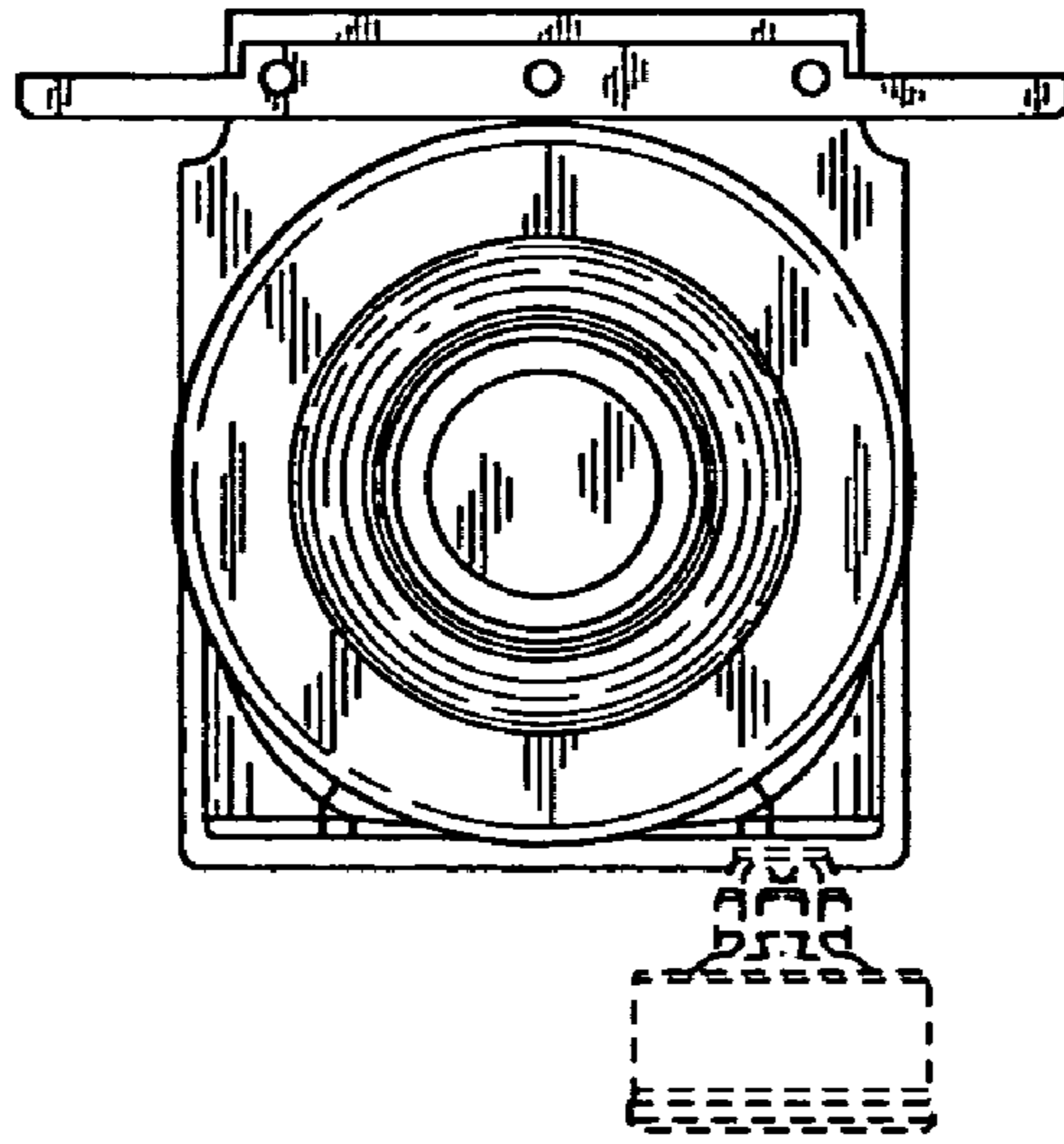


Fig. 6

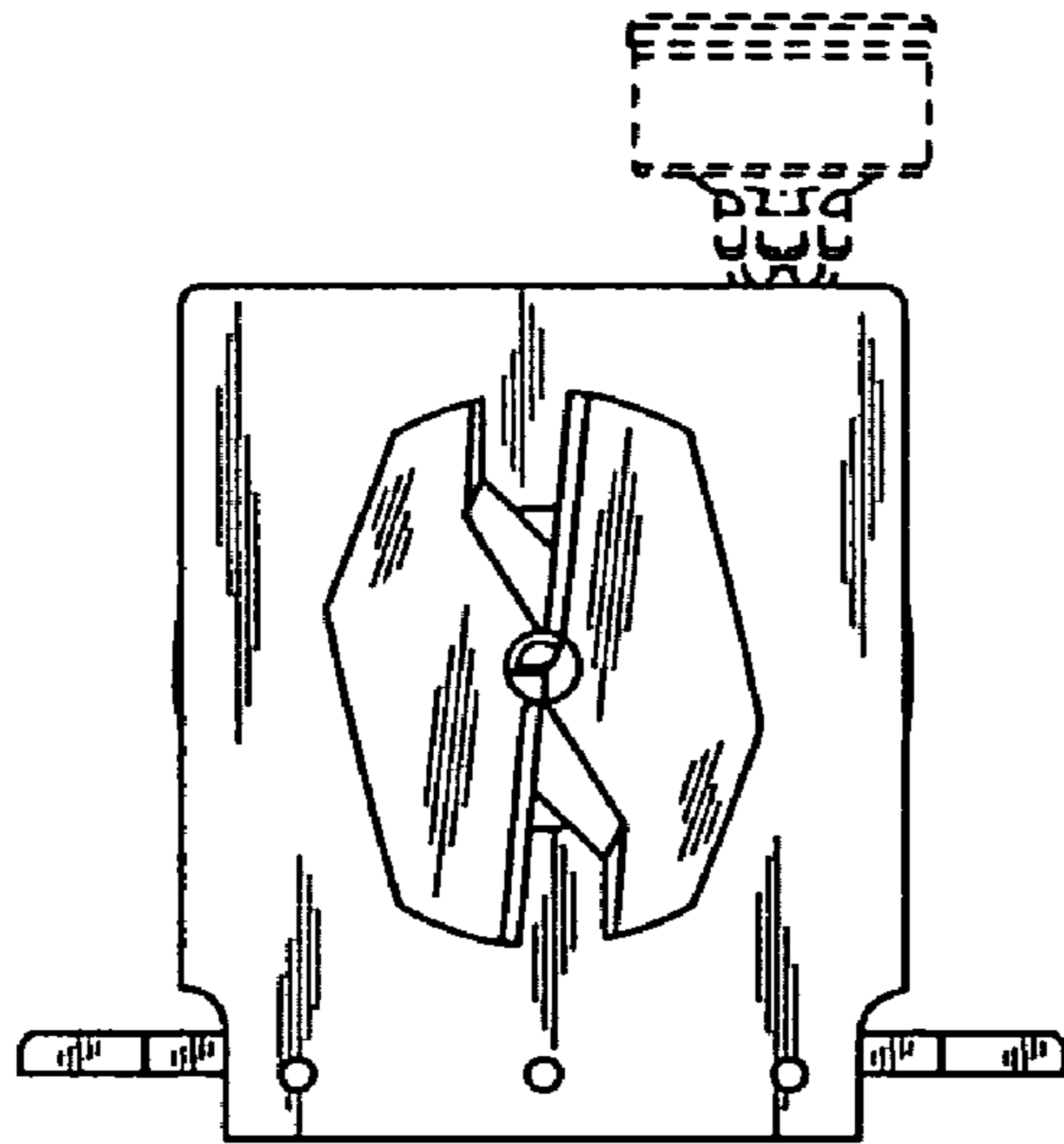


Fig. 7