



US00D653264S

(12) **United States Design Patent**  
**Schmidt et al.**

(10) **Patent No.:** **US D653,264 S**  
(45) **Date of Patent:** **\*\* Jan. 31, 2012**

(54) **CUTTER BLADE**  
(75) Inventors: **William Schmidt**, Leitchfield, KY (US);  
**Charles Carroll**, Louisville, KY (US);  
**Bryan Schilling**, Louisville, KY (US)

(73) Assignee: **Zoeller Pump Company, LLC**,  
Louisville, KY (US)

(\*\*) Term: **14 Years**

(21) Appl. No.: **29/359,026**

(22) Filed: **Apr. 5, 2010**

(51) **LOC (9) Cl.** ..... **15-02**

(52) **U.S. Cl.** ..... **D15/7**

(58) **Field of Classification Search** ..... D23/259–262;  
D15/7, 28, 29, 138, 139, 133; D8/8, 70;  
415/97, 206, 121.2; 241/30, 33, 36, 37.5,  
241/168, 282.1; 417/36

See application file for complete search history.

(56) **References Cited**

**U.S. PATENT DOCUMENTS**

1,992,891	A *	2/1935	Schmidt	.....	452/80
2,658,453	A	11/1953	Walters		
3,036,614	A *	5/1962	Knapp	.....	241/292.1
3,155,046	A	11/1964	Vaughan		
3,343,350	A *	9/1967	Freedlander et al.	.....	56/295
3,784,118	A *	1/1974	Hurwitz	.....	241/282.1
4,114,815	A	9/1978	Gijsbers		
4,182,499	A	1/1980	Kemper		
4,378,093	A	3/1983	Keener		
D268,641	S *	4/1983	Bonforte	.....	D15/17
4,408,724	A	10/1983	Meyer		
4,430,214	A *	2/1984	Baker	.....	210/167.12
D277,860	S *	3/1985	Hellden	.....	D15/11
D299,348	S *	1/1989	Nja	.....	D15/11
5,346,143	A	9/1994	Askin		
5,394,612	A *	3/1995	Wolfington	.....	30/347

D389,382	S *	1/1998	Houle	.....	D8/8
5,850,782	A *	12/1998	Aasted	.....	99/455
D440,981	S *	4/2001	Burch	.....	D15/17
D462,702	S *	9/2002	Neuerburg	.....	D15/28
D488,347	S *	4/2004	Boozer et al.	.....	D7/412
D493,476	S *	7/2004	Apfel et al.	.....	D15/139
D502,185	S *	2/2005	Byrne	.....	D15/17
6,969,018	B2	11/2005	Gimenez Ibanez et al.		
D515,104	S *	2/2006	Fujiki et al.	.....	D15/19
D524,827	S *	7/2006	Byrne	.....	D15/29
D528,859	S *	9/2006	Boozer et al.	.....	D7/412
7,159,806	B1 *	1/2007	Ritsema	.....	241/46.06
D577,372	S *	9/2008	Hung	.....	D15/17
7,520,454	B2	4/2009	Zelder et al.		
D618,075	S *	6/2010	Huang	.....	D8/20
D633,110	S *	2/2011	Neuerburg	.....	D15/17
2010/0322756	A1 *	12/2010	Schmidt et al.	.....	415/121.1

**OTHER PUBLICATIONS**

“Sanibest” system, SFA-Saniflo Inc., technical data.  
“Sanibest” system, SFA-Saniflo Inc., computer printout accessed  
Jan. 19, 2010.

\* cited by examiner

*Primary Examiner* — T. Chase Nelson

*Assistant Examiner* — Eric Goodman

(74) *Attorney, Agent, or Firm* — Stoll Keenon Ogden PLLC;  
Justin M. Tromp; Stephen C. Hall

(57) **CLAIM**

The ornamental design for a cutter blade, as shown and  
described.

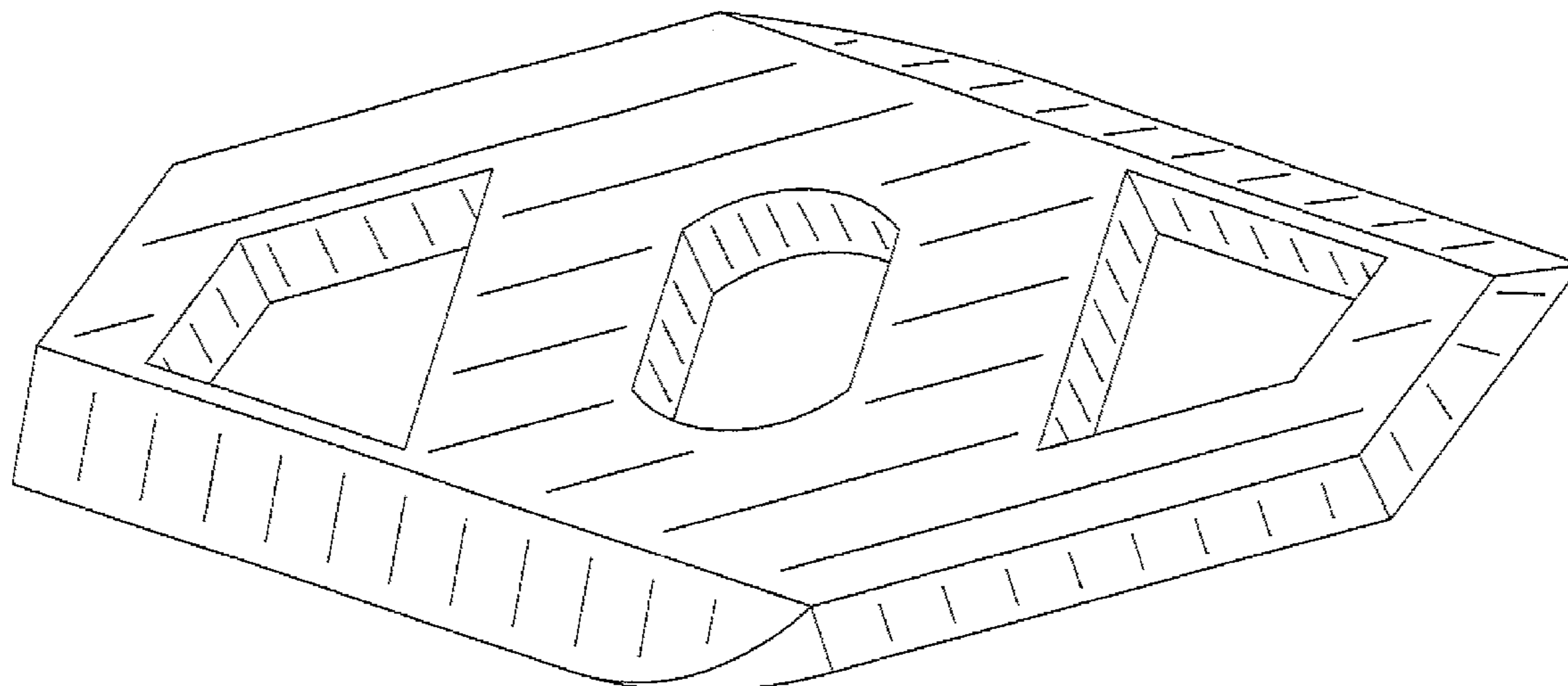
**DESCRIPTION**

FIG. 1 is a perspective view of a cutter blade of the present  
invention;

FIG. 2 is a plan view thereof; and,

FIG. 3 is a side elevation view thereof.

**1 Claim, 3 Drawing Sheets**



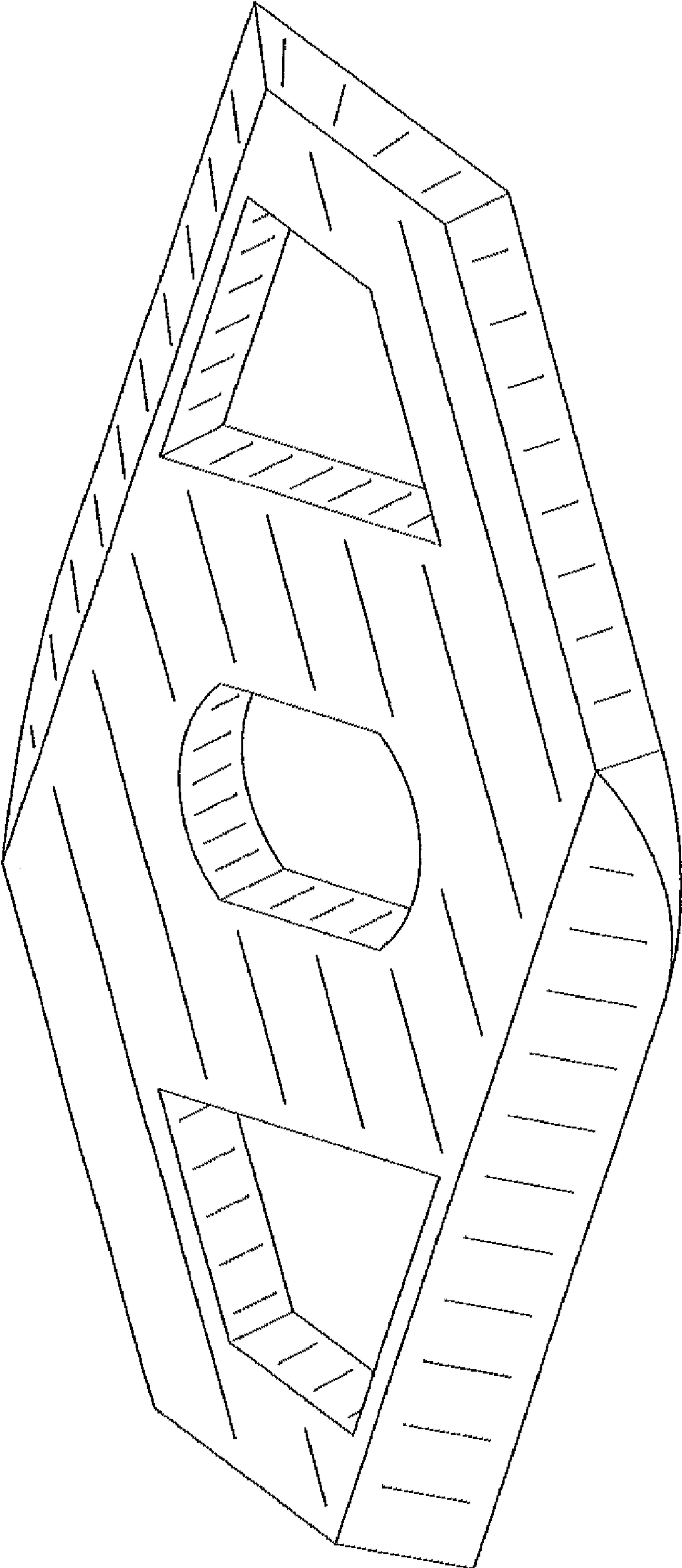


Fig. 1

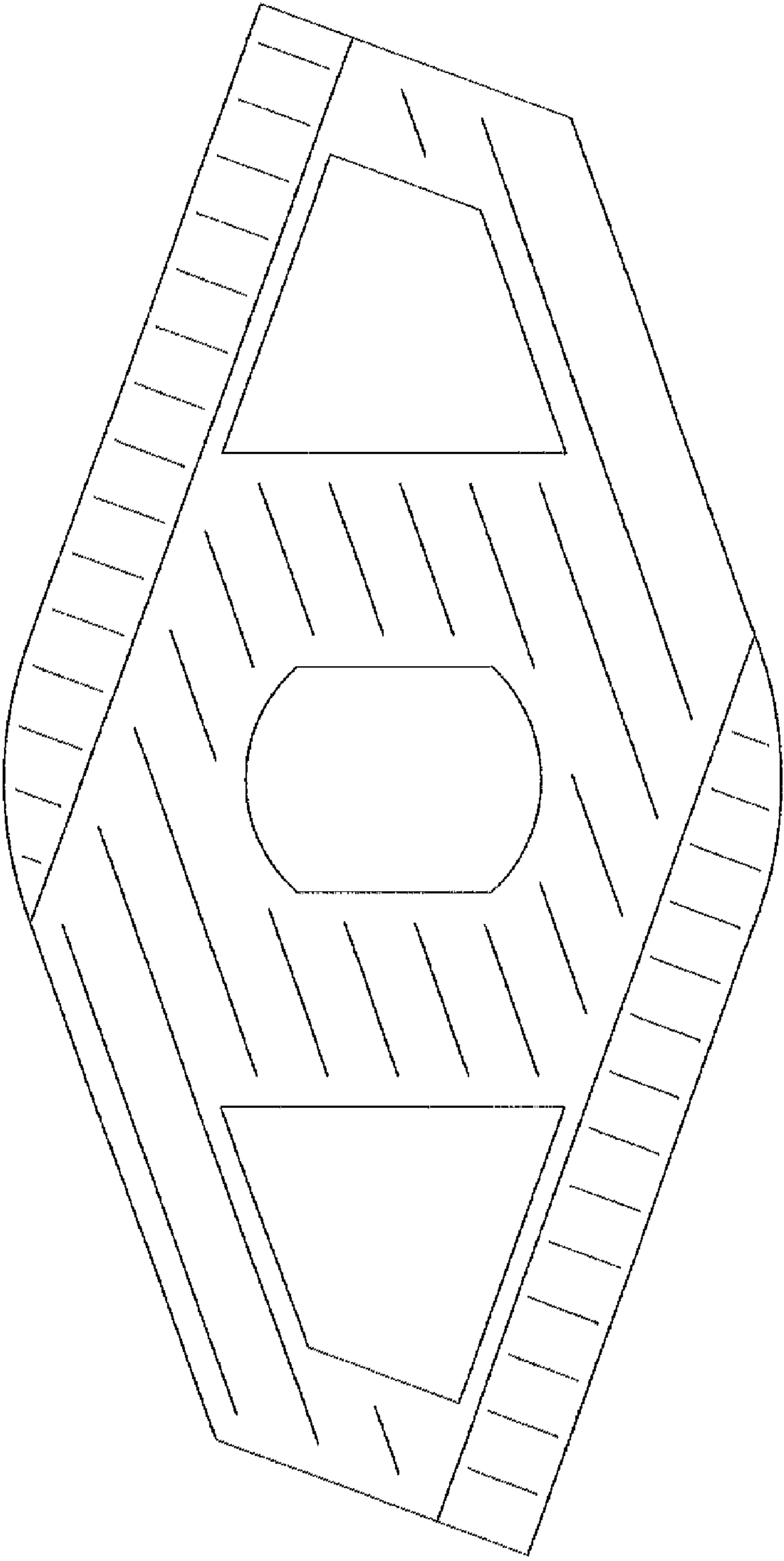


Fig. 2

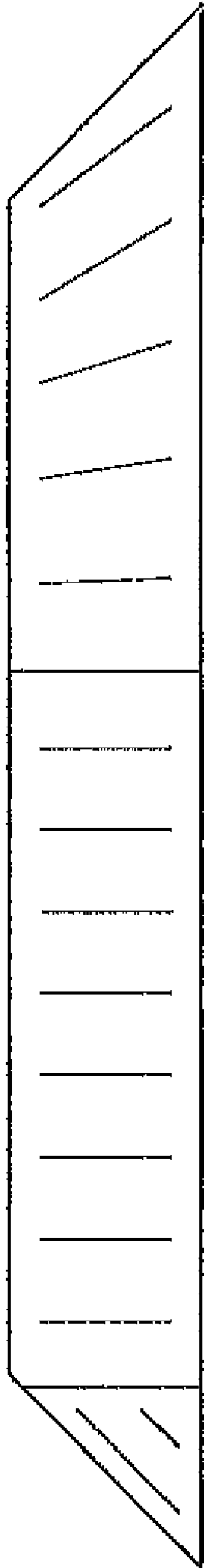


Fig. 3