

US00D653257S

(12) **United States Design Patent**
Allo Allo et al.

(10) **Patent No.:** **US D653,257 S**
(45) **Date of Patent:** **** *Jan. 31, 2012**

(54) **COMPUTER CASE**

(75) Inventors: **Bryan N. Allo Allo**, North Highlands, CA (US); **Richard Garret Mauldin**, Erie, CO (US); **Pawel A. Woloszyn**, Woodland, CA (US)

(73) Assignee: **Pawel A. Woloszyn**, Woodland, CA (US)

(*) Notice: This patent is subject to a terminal disclaimer.

(**) Term: **14 Years**

(21) Appl. No.: **29/355,085**

(22) Filed: **Feb. 2, 2010**

Related U.S. Application Data

(63) Continuation-in-part of application No. 29/324,188, filed on Sep. 8, 2008, now Pat. No. Des. 609,239.

(51) **LOC (9) Cl.** **14-02**

(52) **U.S. Cl.** **D14/440**

(58) **Field of Classification Search** D14/439, D14/440, 345, 341-344, 346, 371, 125-129, D14/327; 206/320, 576, 305, 215, 232, 524, 206/425, 472, 224, 312, 387.13, 307, 387.1, 206/756; D3/286, 283, 295, 273, 303, 247, D3/215, 245, 232, 900, 249, 201, 276, 294, D3/301; 224/929; 708/110; 190/109, 100, 190/119, 901; 361/683, 725, 681, 686, 679; 229/87.5, 67.1, 800; 220/522, 4.23; 345/169, 345/104, 156, 168, 173, 179, 672, 174; 150/147, 150/135; 402/2, 70-78, 500-502; 281/45, 281/38, 31, 29, 19.1, 34; D19/26, 27, 33, D19/75, 86, 22, 90, 59, 60, 78, 83; D18/7; 383/97, 4, 110; 178/18.03, 18.01; 349/12; 428/332; D6/632, 407; 248/458

See application file for complete search history.

(56) **References Cited**

U.S. PATENT DOCUMENTS

693,821	A *	2/1902	De Ford	273/144 B
D44,625	S *	9/1913	De Yoos	D99/36
1,382,601	A *	6/1921	Cressey	426/104
1,383,290	A *	7/1921	Cressey	426/275
1,601,258	A *	9/1926	Pajer	128/203.17
1,861,948	A *	6/1932	Barkdoll	206/315.9
D90,935	S *	10/1933	Barrett	D10/15
2,014,022	A *	9/1935	Klein	601/6

(Continued)

Primary Examiner — Susan Moon Lee

(74) *Attorney, Agent, or Firm* — McAndrews, Held & Malloy, Ltd.

(57) **CLAIM**

The ornamental design for a computer case, as shown and described.

DESCRIPTION

FIG. 1 is a perspective view of a computer case showing our new design;

FIG. 2 is a front elevation view thereof;

FIG. 3 is a back elevation view thereof;

FIG. 4 is left side elevation view thereof;

FIG. 5 is a right side elevation thereof;

FIG. 6 is a top plan view thereof;

FIG. 7 is a bottom plan view thereof;

FIG. 8 is a front top perspective thereof;

FIG. 9 is a back top perspective thereof;

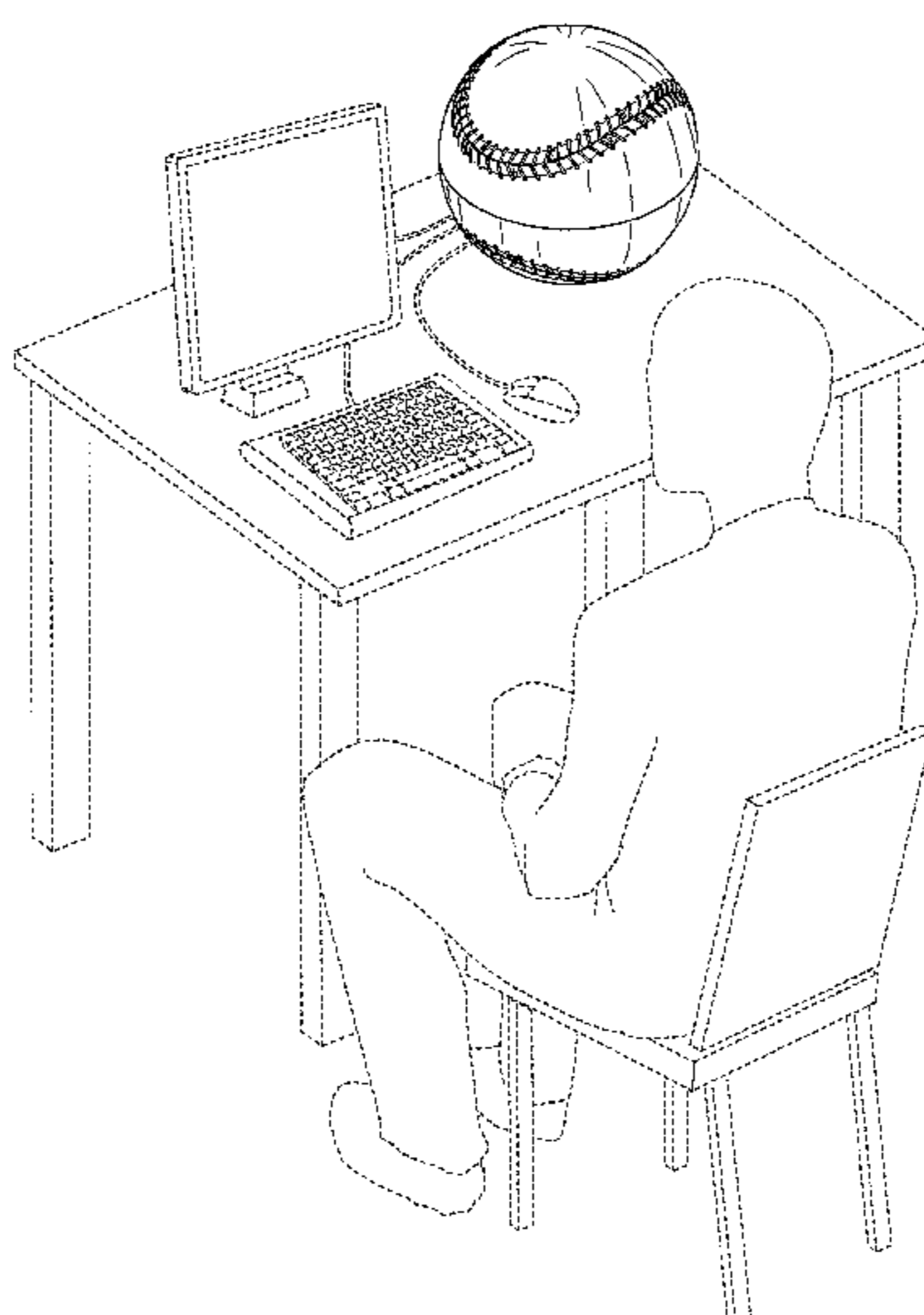
FIG. 10 is a front elevation view thereof in exploded condition;

FIG. 11 is a front top perspective thereof in exploded condition; and,

FIG. 12 is a front bottom perspective thereof in exploded condition.

The broken lines in the drawings represent environmental subject matter and form no part of the claimed design. The inside portion of the top half of the case is unornamented and does not form part of the claimed design.

1 Claim, 12 Drawing Sheets



US D653,257 S

U.S. PATENT DOCUMENTS

D98,769	S	*	3/1936	Horwitt	D10/15
2,092,728	A	*	9/1937	Dearling	239/51.5
2,127,487	A	*	8/1938	Voit	156/170
D112,545	S	*	12/1938	Younghusband	D9/504
D122,184	S	*	8/1940	Martin, Jr.	D9/680
D125,988	S	*	3/1941	Anderson	D3/258
D133,539	S	*	8/1942	Dow	D14/189
D136,524	S	*	10/1943	Swainson	D9/418
2,452,174	A	*	10/1948	Arnold	426/106
D153,602	S	*	5/1949	Halbriter	D16/227
D162,051	S	*	2/1951	Mann	D16/227
D162,986	S	*	4/1951	Punzak	D7/703
D173,847	S	*	1/1955	Matsumoto	D7/539
2,708,138	A	*	5/1955	Gooken	239/59
D175,210	S	*	7/1955	Dreyfuss	D32/23
2,780,029	A	*	2/1957	Anthony	446/409
2,784,512	A	*	3/1957	Goodwin	428/8
2,796,697	A	*	6/1957	Beyrodt	446/51
D186,872	S	*	12/1959	Swann	D32/23
D186,892	S	*	12/1959	Wilbur	D14/211
2,944,823	A	*	7/1960	Gilbert	273/143 R
2,975,823	A	*	3/1961	Ponnock	156/245
3,000,022	A	*	9/1961	Cathey et al.	441/65
D193,899	S	*	10/1962	Harrison	D8/40
D196,375	S	*	9/1963	Fradette	D7/511
D196,679	S	*	10/1963	Schaffer	D14/189
3,292,840	A	*	12/1966	Schmidt	220/4.25
D207,843	S	*	6/1967	Scott, Jr. et al.	D24/232
D208,314	S	*	8/1967	Guerreo, Sr.	D99/37
D209,710	S	*	12/1967	Bruce et al.	D14/133
3,494,515	A	*	2/1970	Fattori	222/548
D219,496	S	*	12/1970	Lebedeff	D28/85
3,624,939	A	*	12/1971	Gossard	40/721
D223,692	S	*	5/1972	Jaffe et al.	D3/294
D224,159	S	*	7/1972	Griffin	D14/133
D224,233	S	*	7/1972	Fujita	D14/371
D224,792	S	*	9/1972	Knox, Jr.	D30/118
D226,921	S	*	5/1973	Cone et al.	D18/7
D227,701	S	*	7/1973	Fujita	D14/126
D229,871	S	*	1/1974	Tibbs	D3/238
D231,401	S	*	4/1974	Fujita	D14/198
D232,957	S	*	9/1974	Kahelin	D21/713
3,836,308	A	*	9/1974	Upright	425/318
3,841,039	A	*	10/1974	Farnsworth	52/81.1
D238,098	S	*	12/1975	Fink	D14/192
D240,270	S	*	6/1976	Kawano	D14/171
D240,778	S	*	8/1976	Mason	D6/467
D240,883	S	*	8/1976	Press	D7/540
D243,648	S	*	3/1977	Conroy	D7/703
D245,866	S	*	9/1977	Schuldenfrei et al.	D25/10
D247,898	S	*	5/1978	Plomp et al.	D14/245
D249,089	S	*	8/1978	Studley	D18/14
4,133,138	A	*	1/1979	Coons	446/16
D253,551	S	*	11/1979	Roberts, Jr.	D25/7
D254,716	S	*	4/1980	Mascia et al.	D9/776
D259,084	S	*	5/1981	Stahel, II	D6/309
D260,023	S	*	7/1981	Pagani et al.	D21/324
D261,463	S	*	10/1981	Martin	D6/303
D262,719	S	*	1/1982	Dweck	D21/328
D264,364	S	*	5/1982	Pazurek	D21/713
4,331,251	A	*	5/1982	Berman et al.	220/4.21
D265,454	S	*	7/1982	Martin	D6/303
4,359,631	A	*	11/1982	Lockwood et al.	235/381
D268,444	S	*	3/1983	Young	D30/117
D268,558	S	*	4/1983	Young	D7/703
D273,652	S	*	5/1984	Lederman et al.	D7/540
D274,986	S	*	8/1984	Mermelstein	D10/6
D275,280	S	*	8/1984	Adams, Jr.	D14/143
D275,282	S	*	8/1984	Adams, Jr.	D14/143
D276,626	S	*	12/1984	Lockwood	D20/2
D276,703	S	*	12/1984	Au	D10/15
D279,145	S	*	6/1985	Lippe	D3/294
D283,009	S	*	3/1986	Jennette	D9/668
4,592,936	A	*	6/1986	Ferguson	428/11
D287,988	S	*	1/1987	Billinghurst	D21/713
D290,539	S	*	6/1987	Jennette	D34/13
D291,991	S	*	9/1987	Lee	D14/147
4,691,824	A	*	9/1987	Schindler	206/315.9
D292,991	S	*	12/1987	Adler	D19/78
D293,690	S	*	1/1988	Adler	D19/78
4,737,134	A	*	4/1988	Rumsey	446/409
4,760,774	A	*	8/1988	Lin	99/299
D299,445	S	*	1/1989	Lee	D11/153
D304,262	S	*	10/1989	Mays	D3/271.9
4,872,854	A	*	10/1989	Hesu	439/577
4,890,838	A	*	1/1990	Rudell et al.	273/138.1
D312,281	S	*	11/1990	Kim	D14/415
5,049,107	A	*	9/1991	De Nittis	446/397
D324,106	S	*	2/1992	Greenblatt	D24/200
D326,455	S	*	5/1992	Kanellos	D14/189
5,116,255	A	*	5/1992	Keeling et al.	119/475
D329,539	S	*	9/1992	Klien et al.	D3/202
D330,284	S	*	10/1992	Klien et al.	D3/202
D330,710	S	*	11/1992	Lee	D14/126
D333,784	S	*	3/1993	Goodman	D9/424
D339,239	S	*	9/1993	Perkins	D6/303
D339,240	S	*	9/1993	Perkins	D6/303
D340,075	S	*	10/1993	Turner	D19/82
D345,788	S	*	4/1994	Green	D23/366
D349,008	S	*	7/1994	Minor	D7/606
D349,629	S	*	8/1994	Redmon	D7/606
D349,902	S	*	8/1994	Hanig	D14/176
5,351,650	A	*	10/1994	Graves	119/707
D354,639	S	*	1/1995	Stoddard et al.	D6/450
D355,334	S	*	2/1995	Minor	D7/606
D357,500	S	*	4/1995	Mutterperl	D19/36
D357,541	S	*	4/1995	Neidell	D24/197
5,445,375	A	*	8/1995	Sweeny	473/570
5,476,408	A	*	12/1995	Hoeting et al.	446/419
D367,547	S	*	2/1996	Dunn	D28/67
D368,327	S	*	3/1996	Dunn	D28/67
D370,145	S	*	5/1996	Benjelloun	D6/513
5,533,920	A	*	7/1996	Arad et al.	446/409
D372,469	S	*	8/1996	Samborsky	D14/440
D373,310	S	*	9/1996	Trautmann	D9/441
D375,626	S	*	11/1996	Eaton et al.	D3/257
D375,968	S	*	11/1996	Ushiyama	D16/133
D378,562	S	*	3/1997	Miller et al.	D7/606
D383,979	S	*	9/1997	Tucker	D9/451
D390,778	S	*	2/1998	Lee	D9/668
D391,451	S	*	3/1998	Todorya	D7/606
D392,467	S	*	3/1998	Oldham	D6/303
D393,288	S	*	4/1998	Paolucci	D21/371
D394,884	S	*	6/1998	Paolucci	D21/372
5,775,997	A	*	7/1998	Veatch	463/46
5,792,496	A	*	8/1998	Fekete et al.	426/104
5,825,537	A	*	10/1998	Ushiyama	359/408
D400,399	S	*	11/1998	Hurst	D7/515
D401,605	S	*	11/1998	Shirley	D16/227
5,839,577	A	*	11/1998	Friedler	206/315.1
D402,599	S	*	12/1998	Adelaar	D12/162
D405,155	S	*	2/1999	Zaharia et al.	D22/146
D405,639	S	*	2/1999	Clark et al.	D7/515
D409,050	S	*	5/1999	Anderson et al.	D7/606
D409,443	S	*	5/1999	Clark et al.	D7/515
D413,598	S	*	9/1999	Cheung	D14/501
D415,929	S	*	11/1999	D'Arrigo	D7/515
5,984,813	A	*	11/1999	Cinnella	473/613
D417,955	S	*	12/1999	Sletten	D3/257
D418,359	S	*	1/2000	Taylor, Jr.	D7/332
D419,389	S	*	1/2000	Hansen	D7/606
D420,003	S	*	2/2000	Dervish	D14/189
D420,552	S	*	2/2000	Hansen	D7/606
D420,861	S	*	2/2000	Hansen	D7/606
D421,033	S	*	2/2000	Shirley et al.	D16/227
D421,035	S	*	2/2000	Shirley et al.	D16/227
D421,989	S	*	3/2000	Cheung	D14/502
D422,692	S	*	4/2000	Quinones	D23/367
D425,706	S	*	5/2000	Calderone	D4/116
D426,858	S	*	6/2000	Straus et al.	D21/329
6,073,581	A	*	6/2000	Wang	119/51.01
D428,396	S	*	7/2000	Smith et al.	D14/403
6,098,571	A	*	8/2000	Axelrod et al.	119/707
D430,990	S	*	9/2000	Cragg	D7/402
D431,183	S	*	9/2000	Beals	D9/668
D431,446	S	*	10/2000	Chelaru	D8/335
D432,862	S	*	10/2000	Cragg	D7/402

US D653,257 S

D435,602 S *	12/2000	Podd et al.	D21/329	D512,048 S *	11/2005	Borsboom	D14/216
D436,381 S *	1/2001	Podd et al.	D21/329	D514,093 S *	1/2006	Borsboom	D14/216
D439,621 S *	3/2001	Podd et al.	D21/329	D515,561 S *	2/2006	Sung	D14/300
D439,793 S *	4/2001	Mak	D7/332	D516,105 S *	2/2006	Bradley et al.	D16/202
6,212,811 B1 *	4/2001	Jones	40/781	D517,856 S *	3/2006	Krasne	D7/354
6,237,538 B1 *	5/2001	Tsengas	119/707	D520,010 S *	5/2006	Valentine	D14/403
D446,823 S *	8/2001	Podd et al.	D21/329	D524,268 S *	7/2006	Reza	D14/126
D447,471 S *	9/2001	Andre et al.	D14/216	D525,976 S *	8/2006	Landau	D14/432
6,346,664 B1 *	2/2002	Shuen	84/402	D529,680 S *	10/2006	Broikos	D99/30
D454,631 S *	3/2002	Steiner	D23/379	D533,152 S *	12/2006	Nakata	D14/126
D454,993 S *	3/2002	Herrenbruck	D30/160	7,166,047 B2 *	1/2007	May et al.	473/569
D460,693 S *	7/2002	Flowers	D9/519	D539,049 S *	3/2007	Zimmermann	D6/358
6,418,673 B1 *	7/2002	Flowerday	52/81.1	D543,244 S *	5/2007	Tsuruha	D19/73
D465,124 S *	11/2002	Favela	D7/334	D545,296 S *	6/2007	Yang	D14/500
D465,379 S *	11/2002	Favela	D7/332	D547,427 S *	7/2007	Gentile	D23/348
D465,380 S *	11/2002	Favela	D7/334	D547,430 S *	7/2007	Low	D23/364
D465,733 S *	11/2002	Hill	D9/519	D551,822 S *	9/2007	Gianfrisco et al.	D34/11
D466,360 S *	12/2002	Favela	D7/334	D552,054 S *	10/2007	Pena Angarita	D14/498
D469,572 S *	1/2003	Franzblau	D27/193	D557,539 S *	12/2007	Pascarella	D6/518
D469,744 S *	2/2003	Lam	D14/126	D561,242 S *	2/2008	Dahl	D18/4.6
D471,199 S *	3/2003	Nybank	D14/403	D563,146 S *	3/2008	Henry	D7/334
D471,554 S *	3/2003	Nybank	D14/403	D563,147 S *	3/2008	Henry	D7/334
D473,160 S *	4/2003	Weissman	D11/220	D563,412 S *	3/2008	Faurous	D14/408
D474,372 S *	5/2003	Leon	D7/515	D567,636 S *	4/2008	Morris et al.	D8/358
D474,464 S *	5/2003	Chiu	D14/371	7,367,283 B2 *	5/2008	Aboujaoude et al.	119/707
D474,593 S *	5/2003	Bond et al.	D3/202	D573,026 S *	7/2008	Tsai	D9/519
D475,288 S *	6/2003	Hoffmann et al.	D9/426	D573,132 S *	7/2008	Yang	D14/207
D475,380 S *	6/2003	Kalish	D16/135	D575,165 S *	8/2008	Billings	D9/668
D475,706 S *	6/2003	Lin	D14/371	D575,470 S *	8/2008	Gianfrisco et al.	D34/4
D476,095 S *	6/2003	Baarman et al.	D26/2	D575,965 S *	9/2008	Weldon	D6/434
D477,260 S *	7/2003	Hovren	D12/202	D577,389 S *	9/2008	Lo et al.	D21/401
D478,813 S *	8/2003	Beene	D9/519	D577,390 S *	9/2008	Collier	D21/405
D482,282 S *	11/2003	Angeletta	D9/451	D578,002 S *	10/2008	Canamasas Puigbo	D9/519
D485,251 S *	1/2004	Lee	D14/509	D580,634 S *	11/2008	Robinson	D2/869
D488,049 S *	4/2004	Fonfeder	D8/335	D585,644 S *	2/2009	Guilbault	D3/257
D492,233 S *	6/2004	Burden	D12/204	D586,187 S *	2/2009	Sax et al.	D7/606
D492,455 S *	6/2004	Herrenbruck	D30/160	D586,255 S *	2/2009	Rashid et al.	D11/152
D500,998 S *	1/2005	Inoue	D14/171	D590,135 S *	4/2009	Rogondino	D2/831
D504,979 S *	5/2005	Lai	D28/76	2001/0034177 A1 *	10/2001	Hunn	446/73
D505,050 S *	5/2005	Johnson et al.	D7/606	2006/0201941 A1 *	9/2006	Lee	220/4.21
D505,688 S *	5/2005	Allen	D16/227					
D507,305 S *	7/2005	Dill	D19/90					
D509,545 S *	9/2005	Nash	D21/589					

* cited by examiner

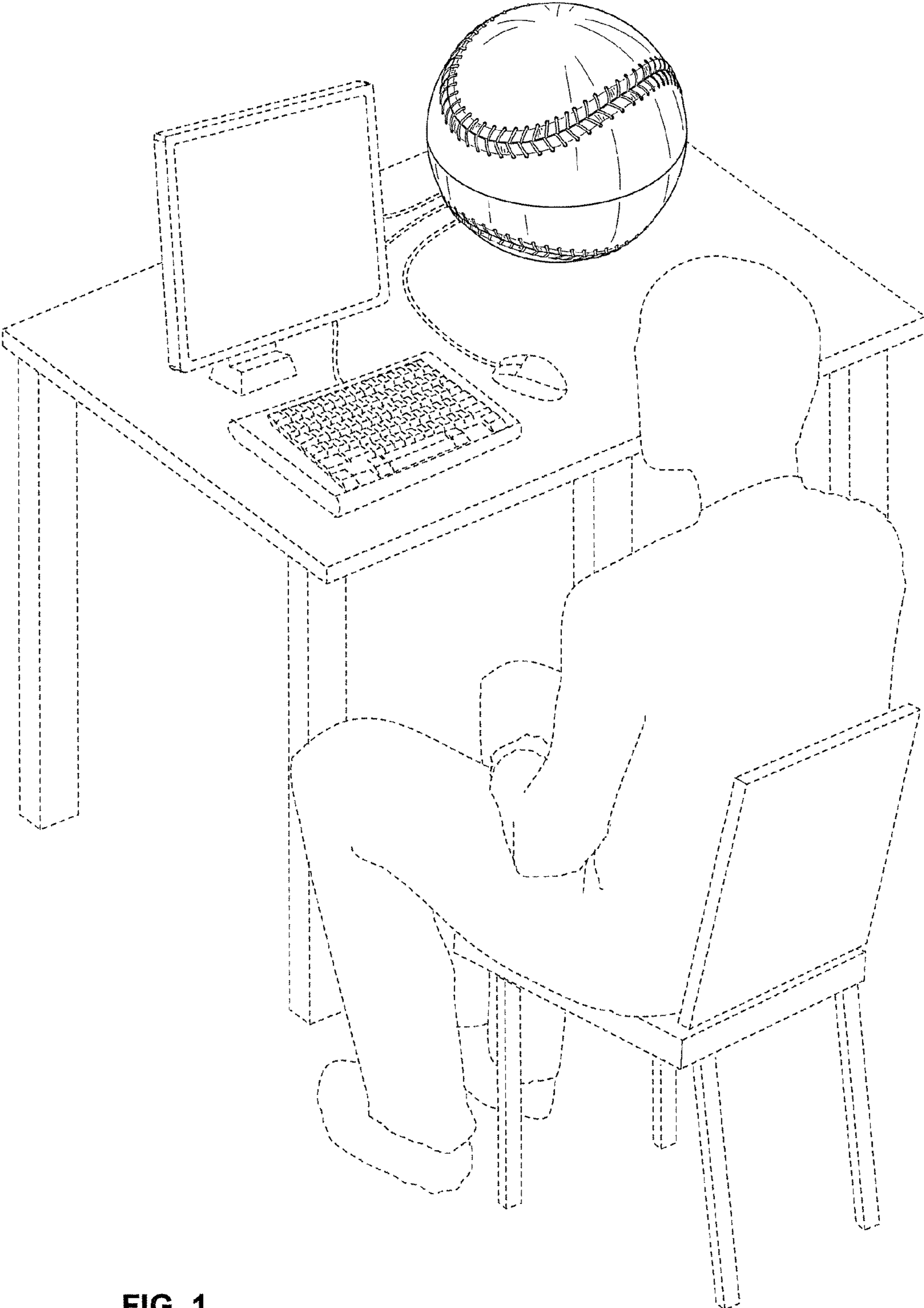


FIG. 1

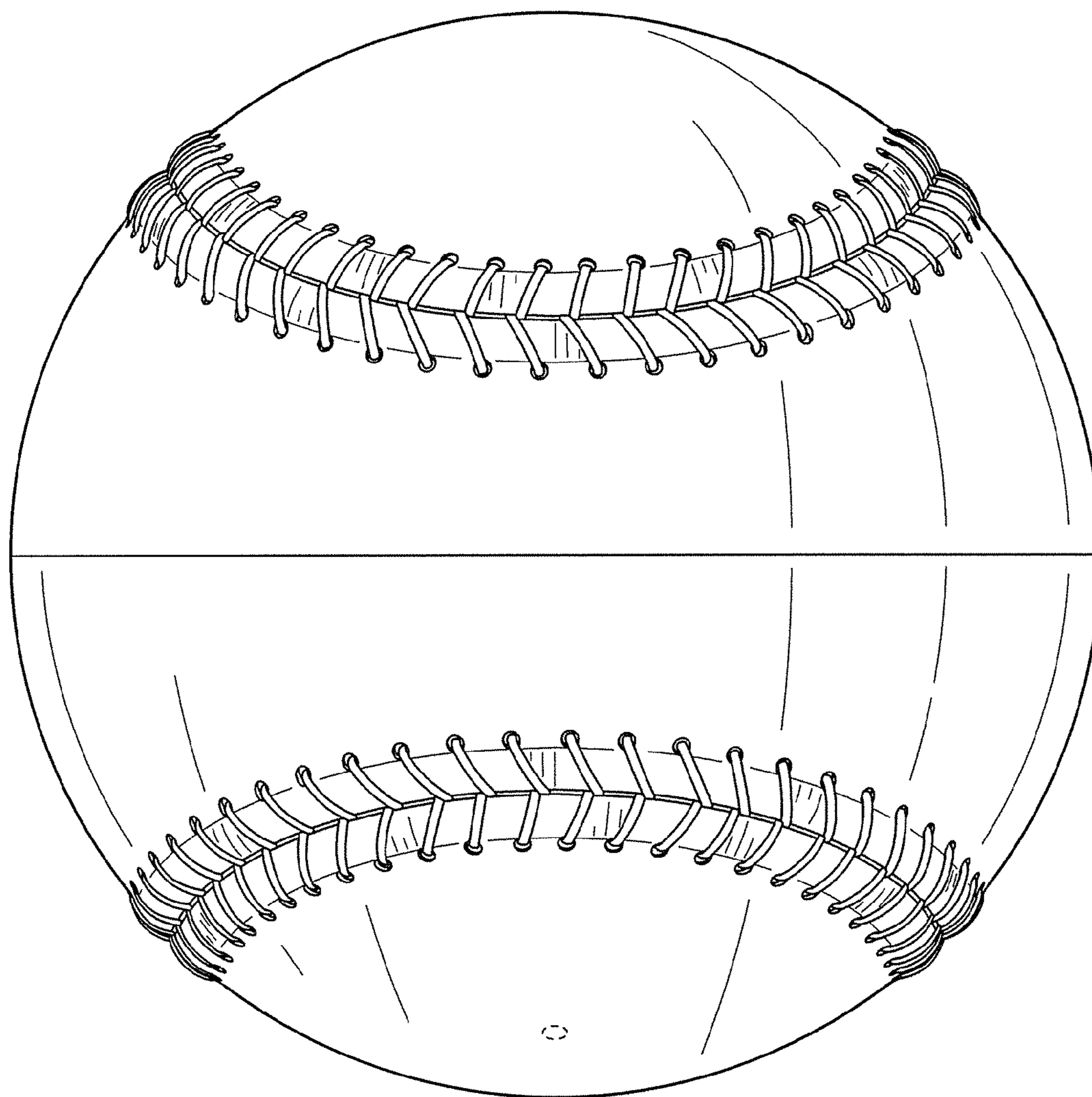


FIG. 2

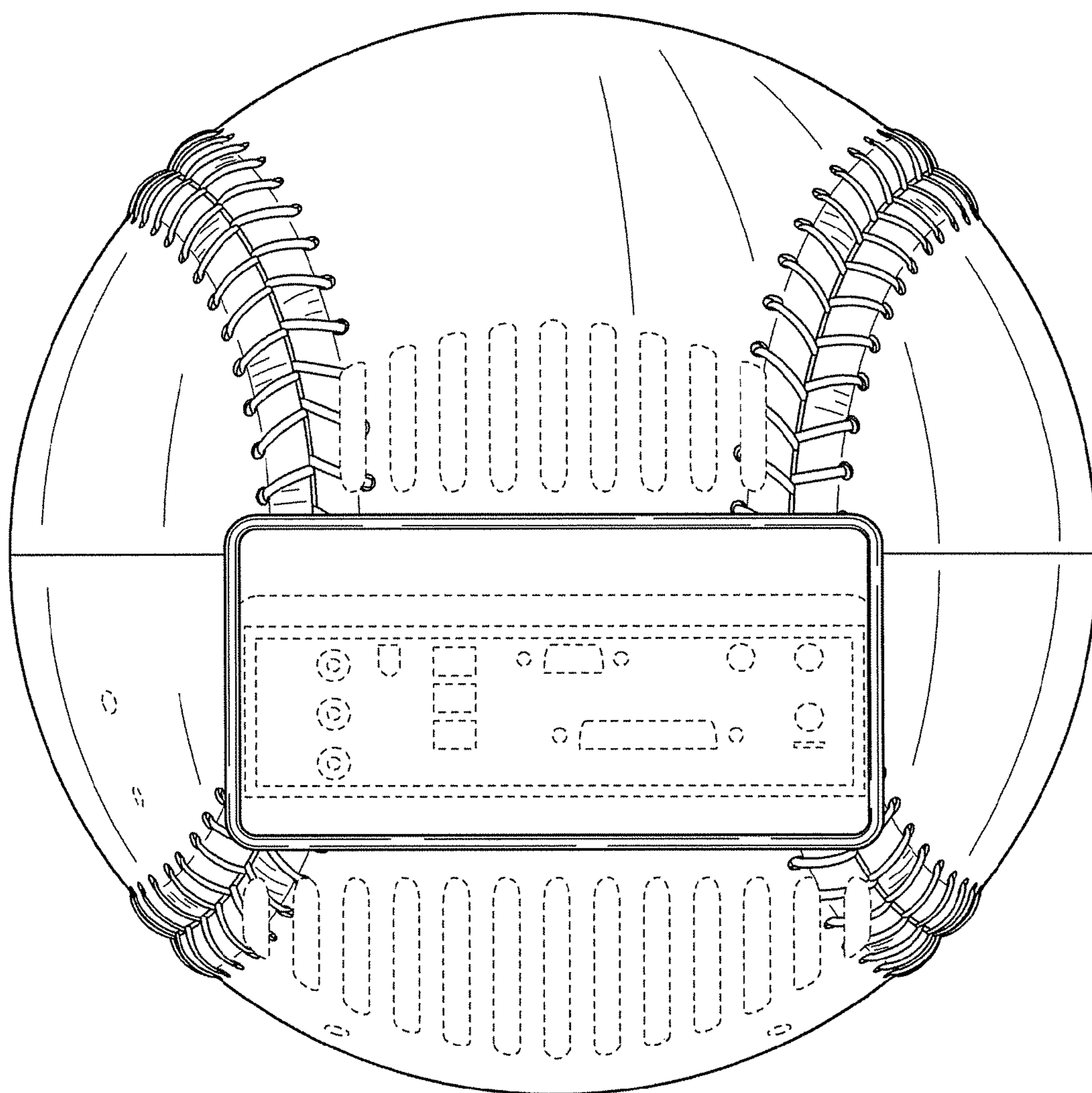


FIG. 3

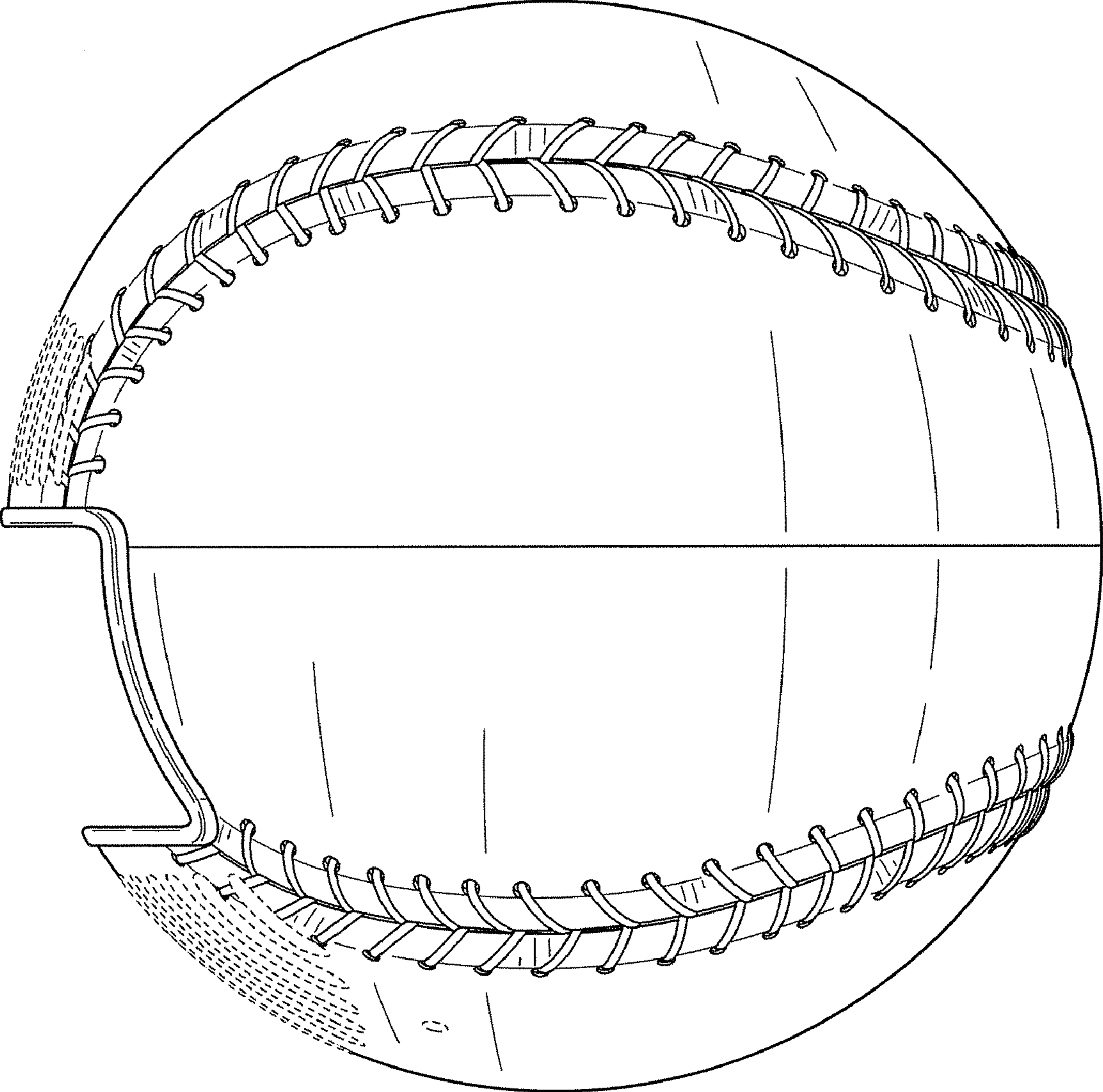


FIG. 4

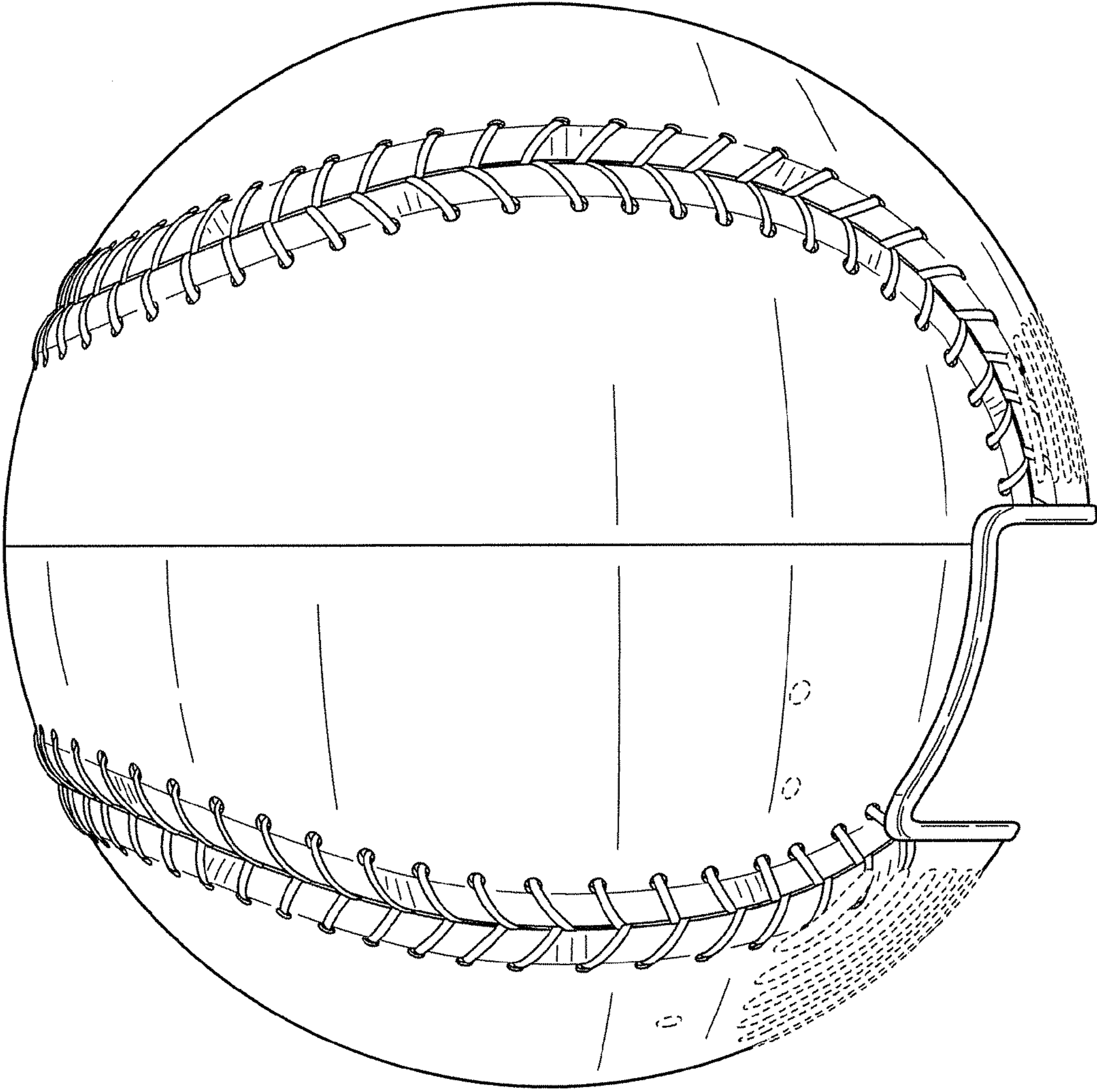


FIG. 5

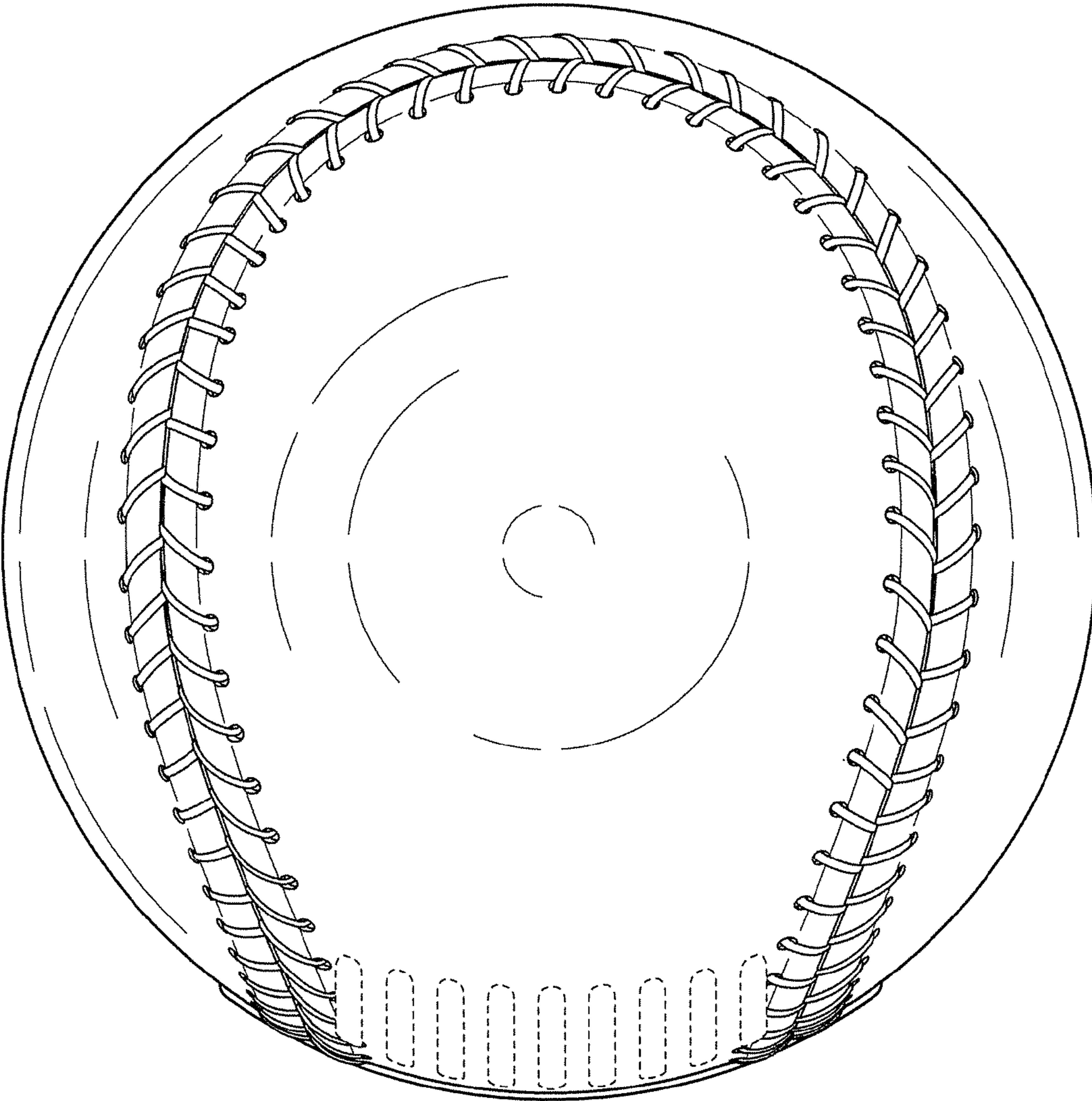


FIG. 6

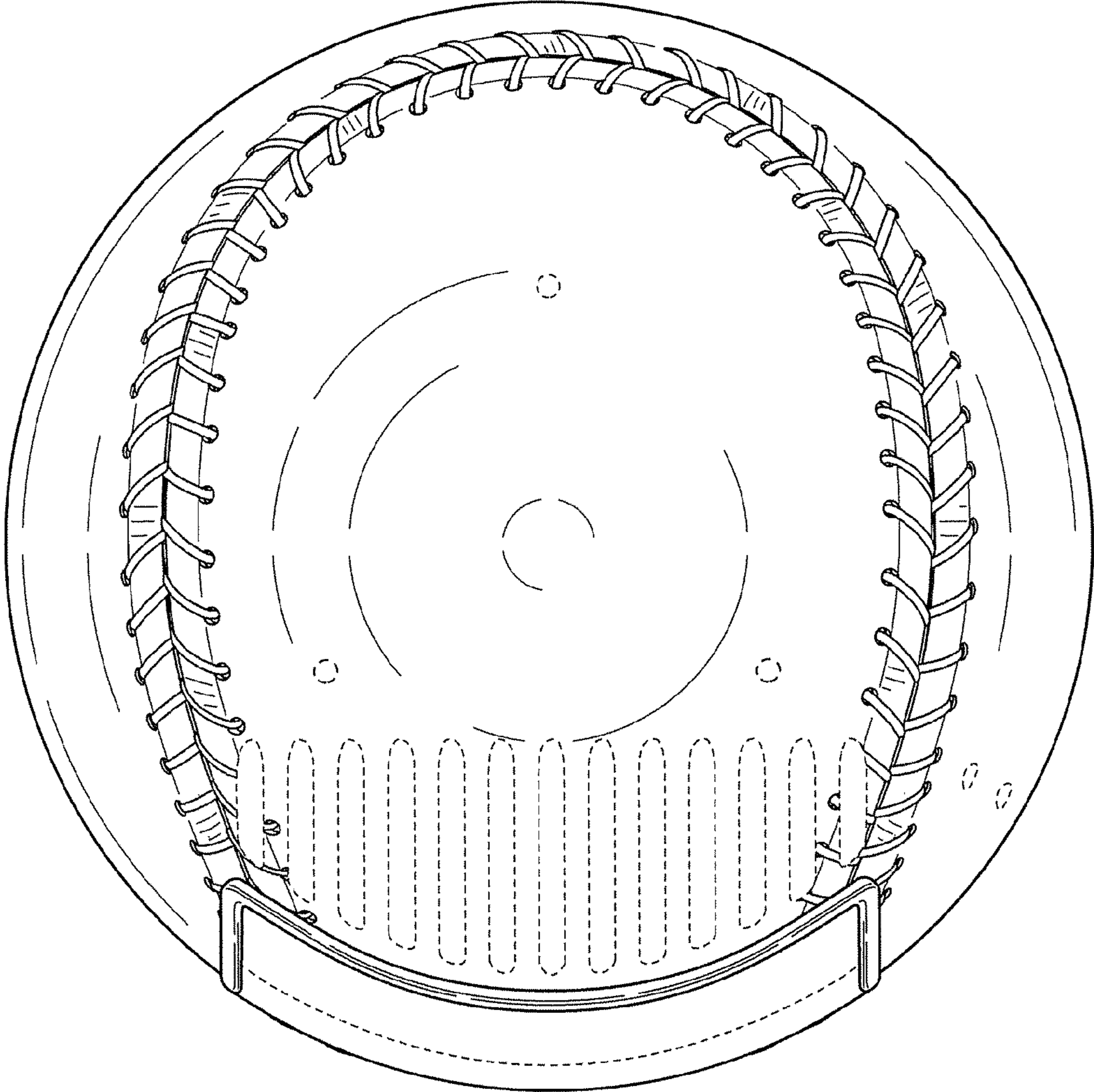


FIG. 7

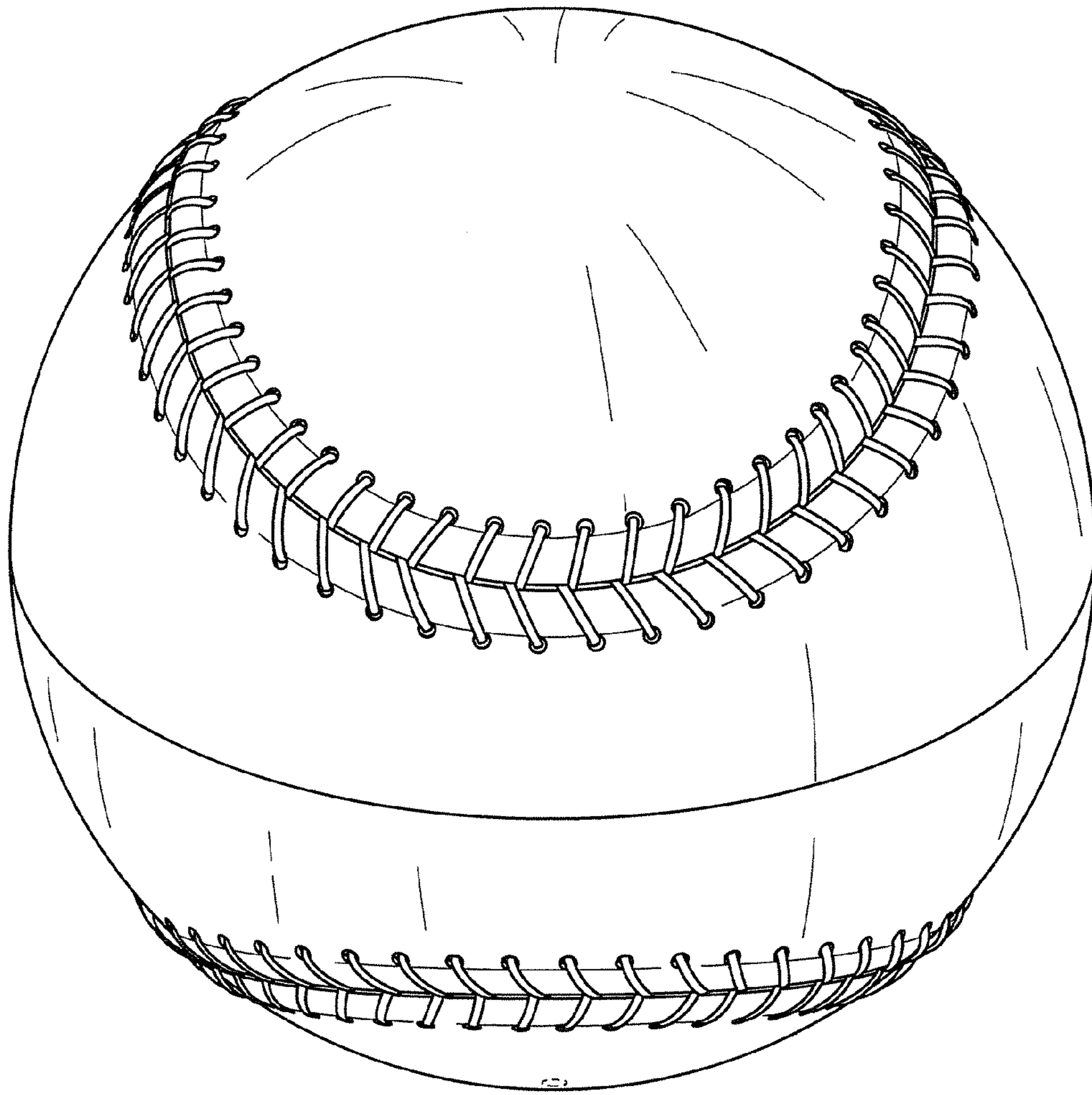


FIG. 8

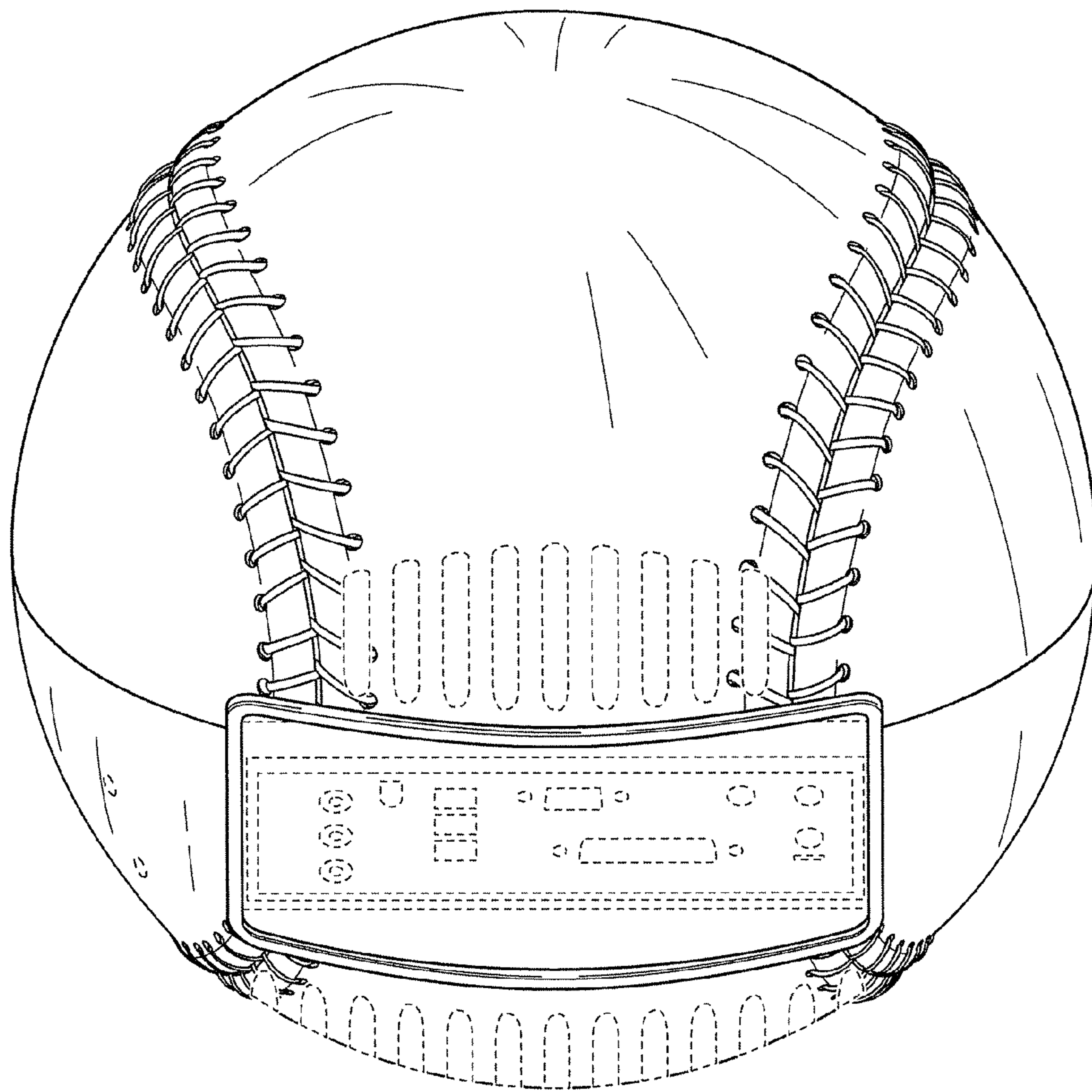


FIG. 9

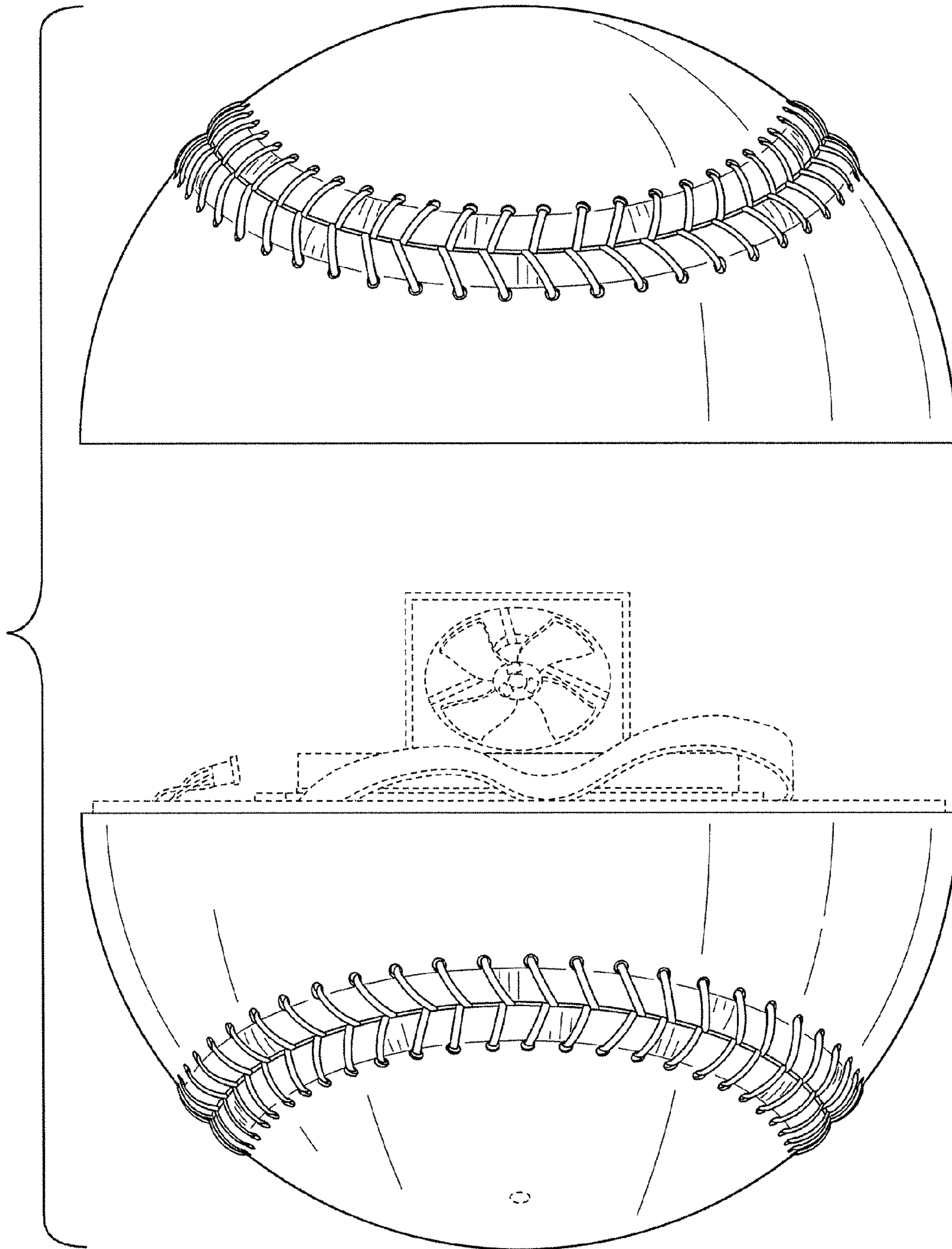


FIG. 10

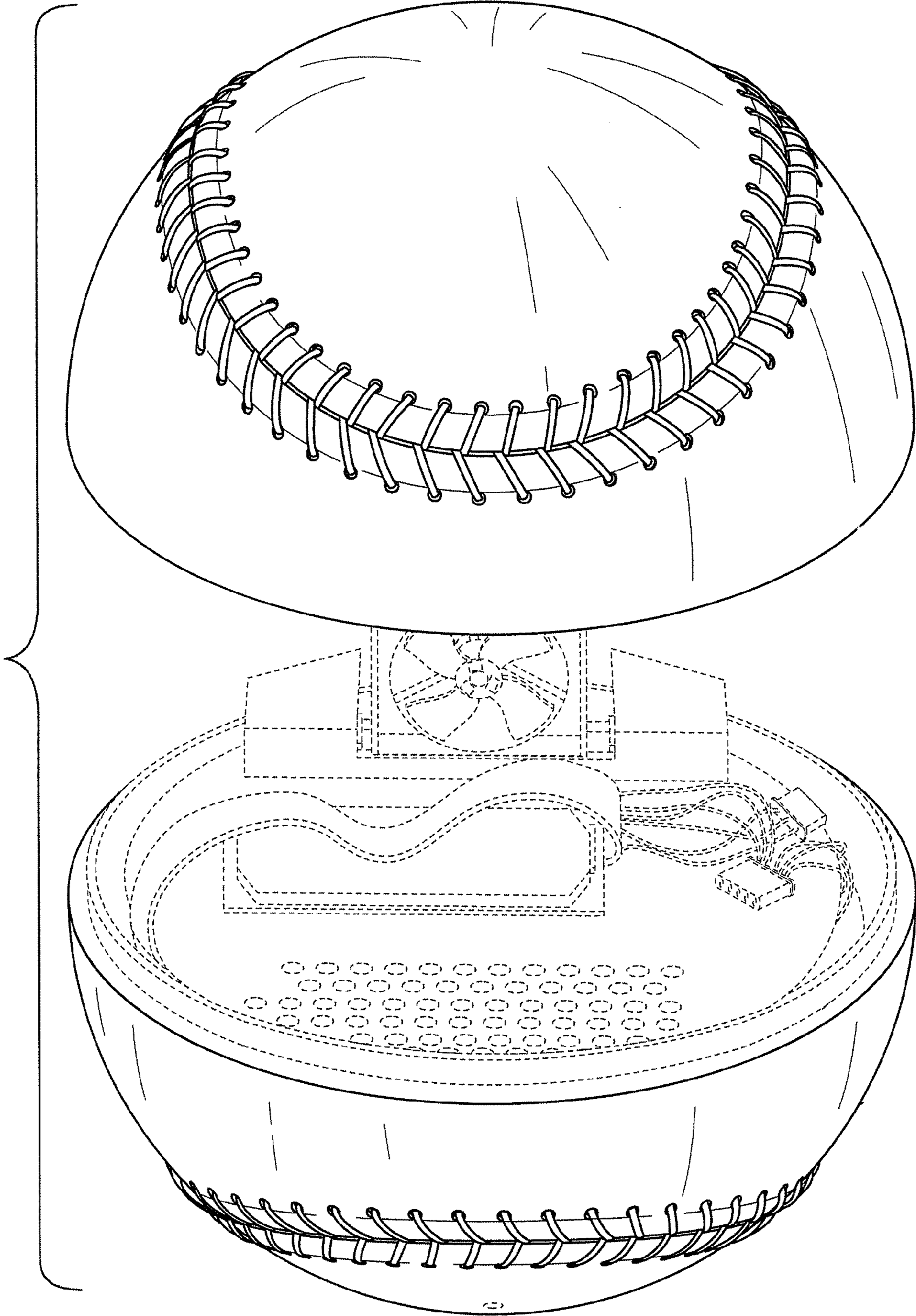


FIG. 11

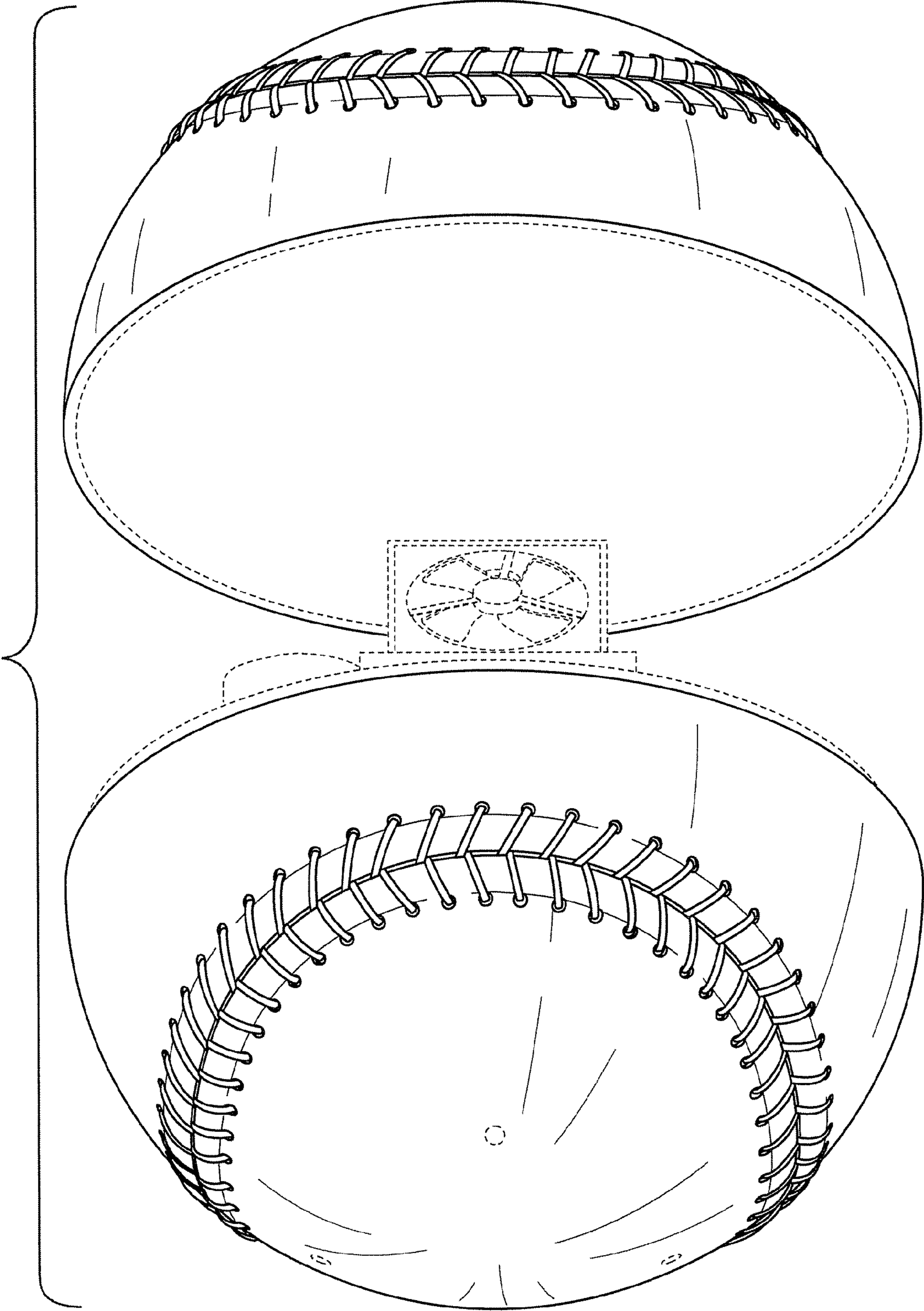


FIG. 12