



US00D653255S

(12) **United States Design Patent**
Chu et al.

(10) **Patent No.:** **US D653,255 S**
(45) **Date of Patent:** **** Jan. 31, 2012**

(54) **LIQUID CRYSTAL DISPLAY**
(75) Inventors: **Yen-Ting Chu**, Taipei (TW); **Wen-Ho Hu**, Taipei (TW); **Chien-Chih Chung**, Taipei (TW); **Chia-Wei Chang**, Taipei (TW)
(73) Assignee: **Unihan Corporation**, Beitou District, Taipei (TW)

D597,041	S	7/2009	Cho	
D597,978	S *	8/2009	Won et al.	D14/126
D599,756	S *	9/2009	Yokota	D14/126
D608,311	S *	1/2010	Lee et al.	D14/126
D614,185	S *	4/2010	Chien	D14/374
D614,596	S *	4/2010	Won et al.	D14/126
D619,136	S *	7/2010	Lin et al.	D14/374
D620,008	S *	7/2010	Lin et al.	D14/374
2003/0058372	A1 *	3/2003	Williams et al.	348/836
2008/0019088	A1 *	1/2008	Williams et al.	361/681

(**) Term: **14 Years**
(21) Appl. No.: **29/386,140**
(22) Filed: **Feb. 25, 2011**

FOREIGN PATENT DOCUMENTS

CN	300747950	2/2008
CN	300991874	8/2009
TW	00584461	4/2004

* cited by examiner

(30) **Foreign Application Priority Data**
Aug. 27, 2010 (TW) 99304282
(51) **LOC (9) Cl.** **14-02**
(52) **U.S. Cl.** **D14/374**
(58) **Field of Classification Search** D14/371-375,
D14/125-129, 336, 337; 248/917-924; 341/12;
345/104, 156, 173, 174, 901-905; 348/180,
348/184, 325, 739; 349/1, 2, 11, 62
See application file for complete search history.

Primary Examiner — Freda S Nunn
(74) *Attorney, Agent, or Firm* — Winston Hsu; Scott Margo

(56) **References Cited**

U.S. PATENT DOCUMENTS

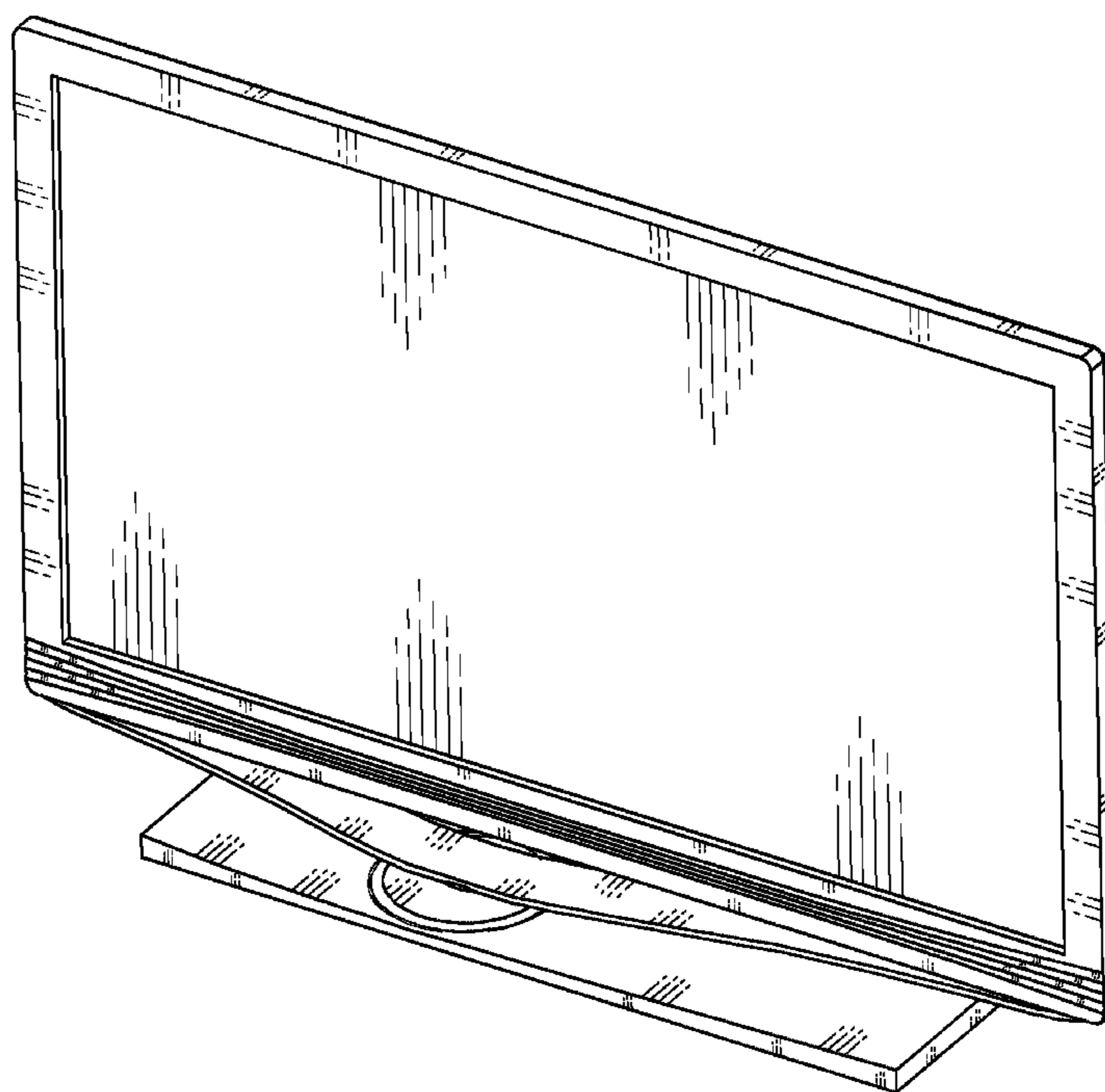
6,837,469	B2 *	1/2005	Wu et al.	248/278.1
D551,228	S *	9/2007	Hwang et al.	D14/375
D566,072	S	4/2008	Yamaguchi	
D568,266	S	5/2008	Shimamoto	
D578,087	S *	10/2008	Yokota	D14/126

(57) **CLAIM**
The ornamental design for a liquid crystal display, as shown.

DESCRIPTION

FIG. 1 is a front perspective view of a liquid crystal display showing our new design;
FIG. 2 is a front elevational view thereof;
FIG. 3 is a rear elevational view thereof;
FIG. 4 is a left side elevational view thereof;
FIG. 5 is a right side elevational view thereof;
FIG. 6 is a top plane view thereof; and,
FIG. 7 is a bottom plane view thereof.

1 Claim, 7 Drawing Sheets



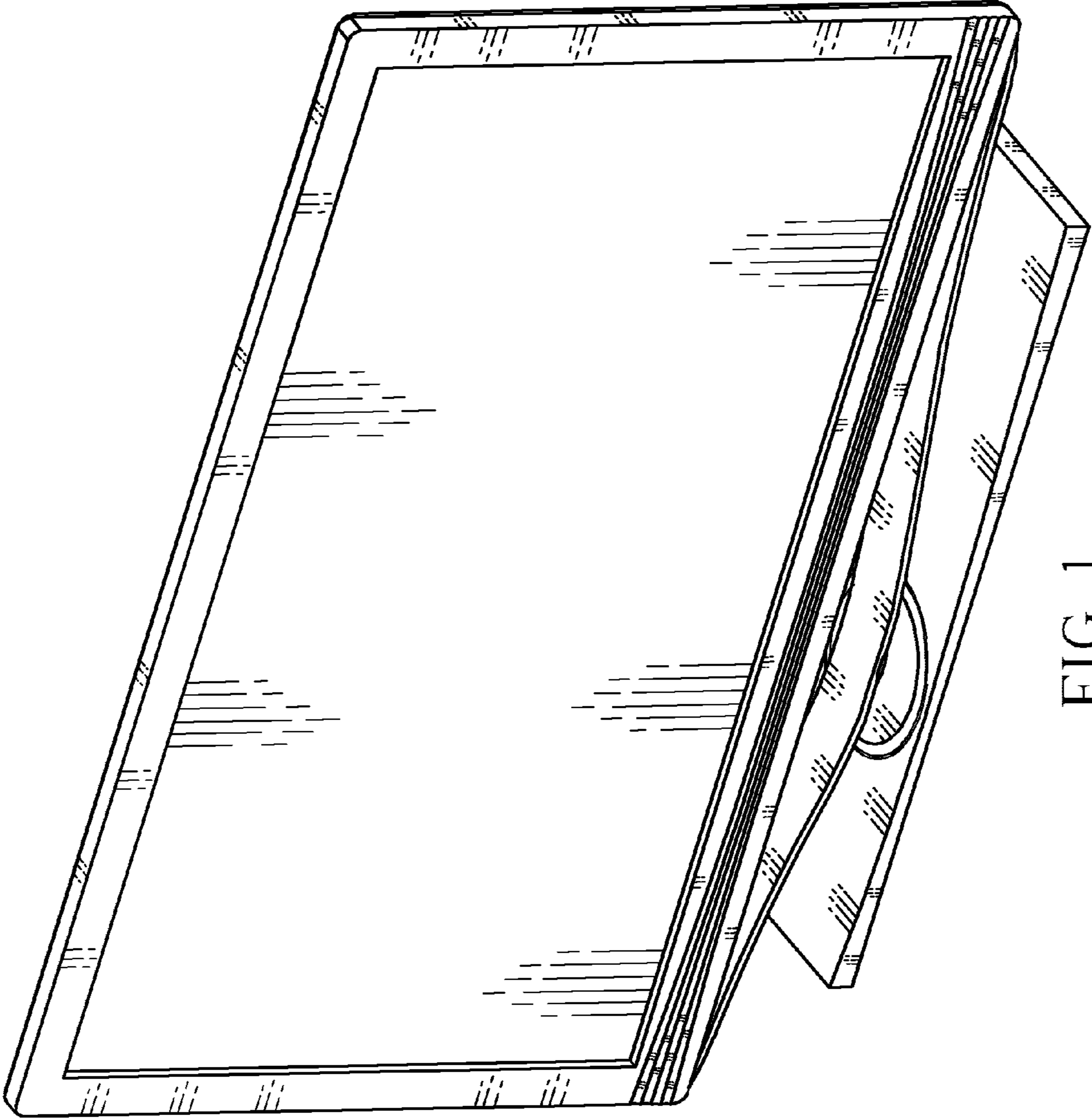


FIG. 1

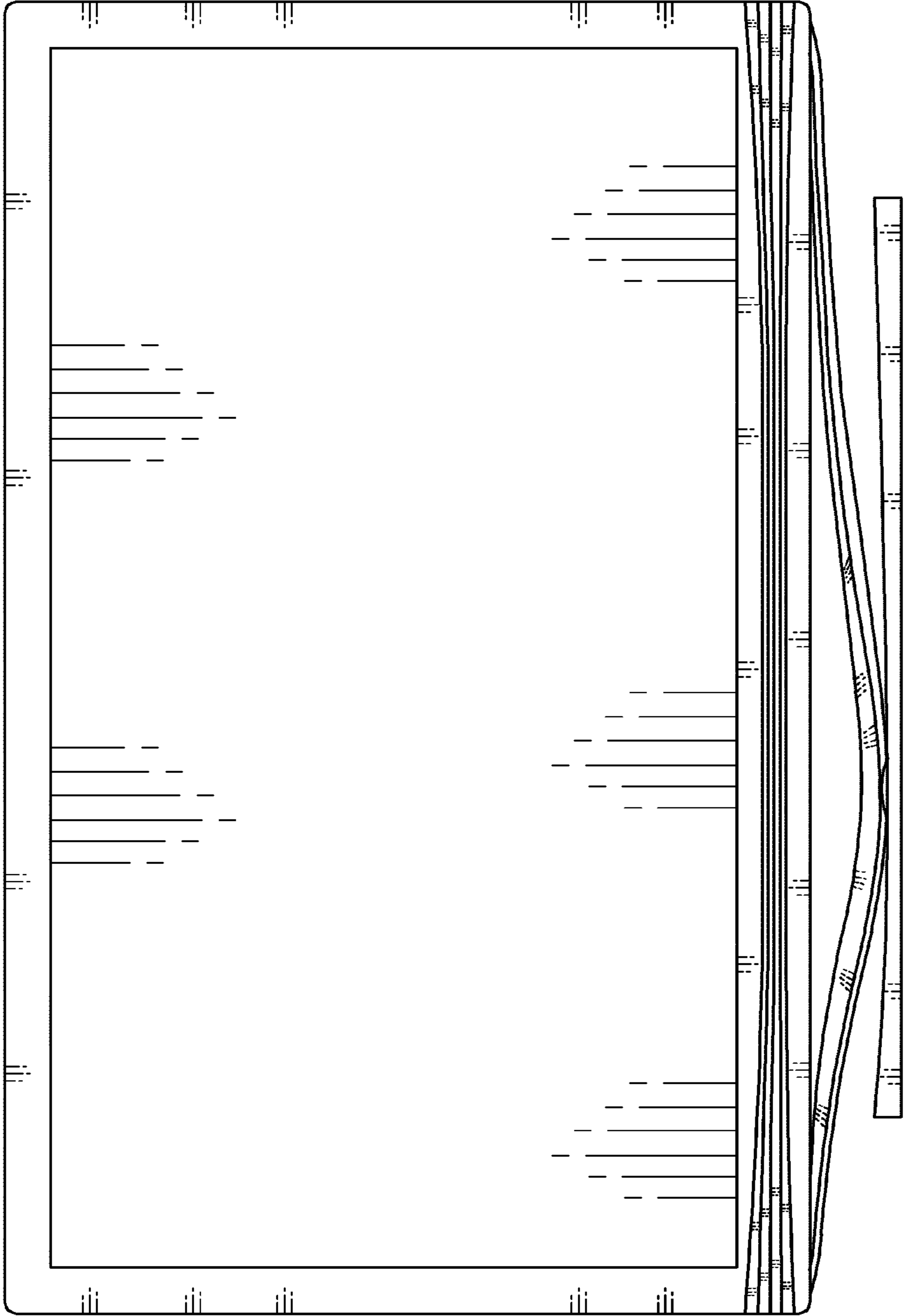


FIG. 2

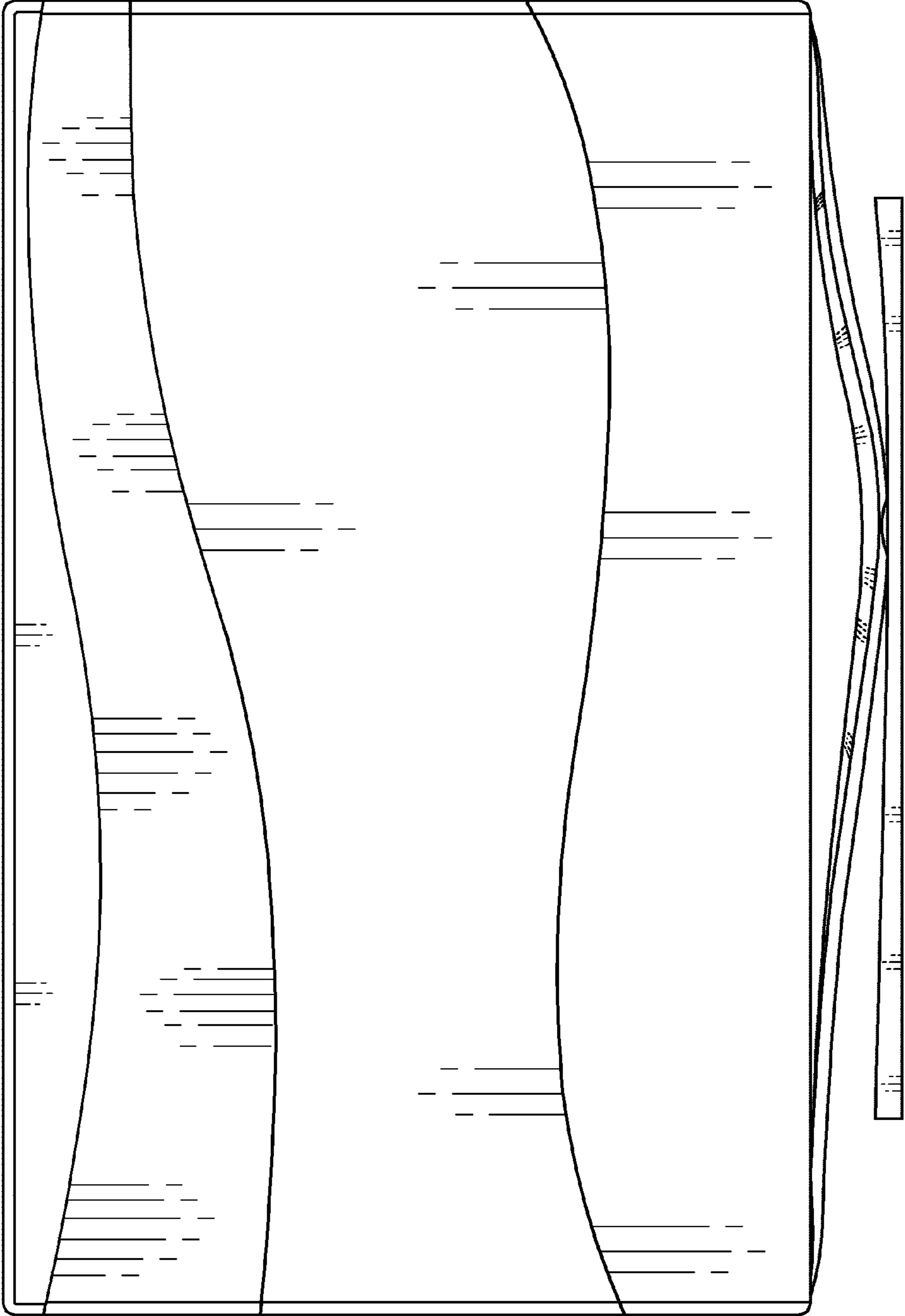


FIG. 3

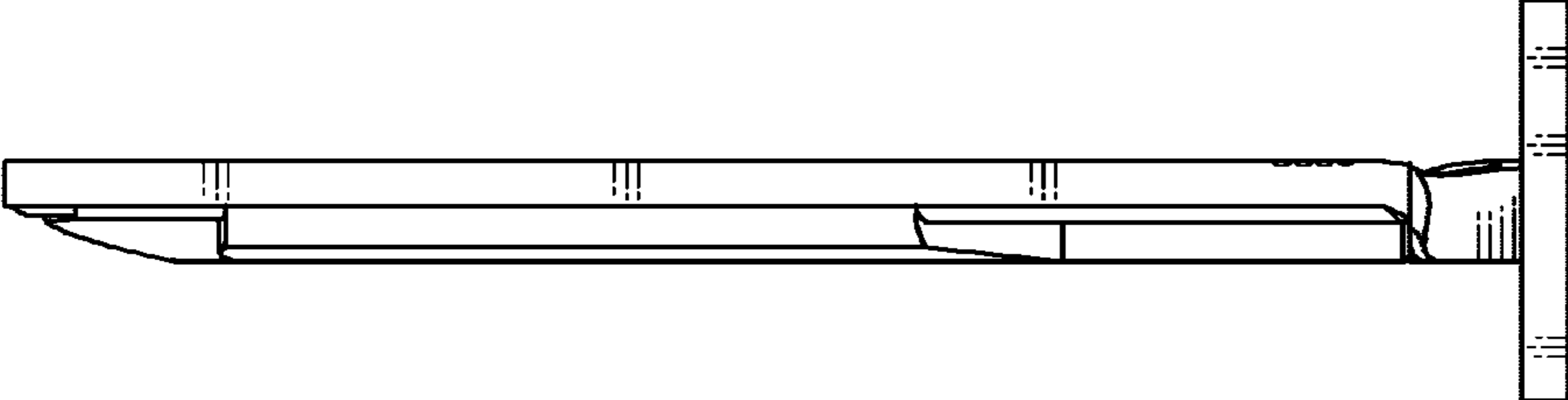


FIG. 4

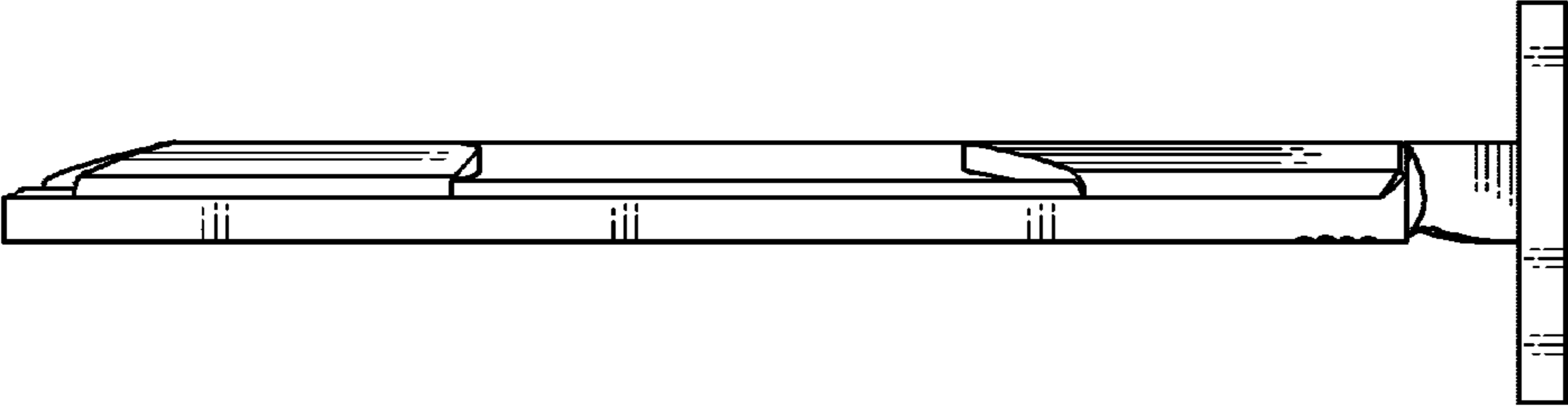


FIG. 5

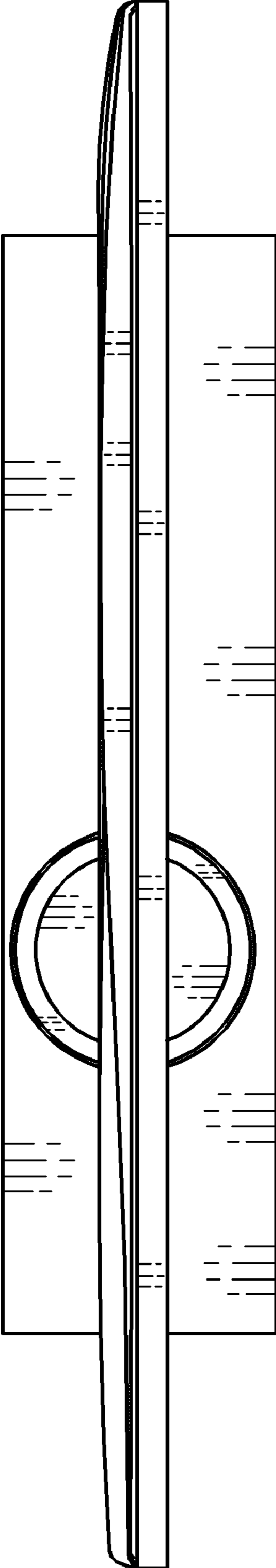


FIG. 6

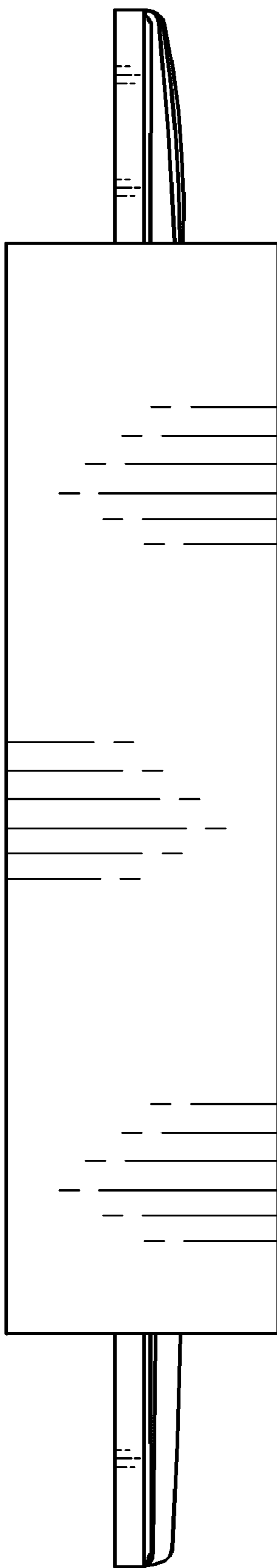


FIG. 7