



US00D653253S

(12) **United States Design Patent**
Chiu

(10) **Patent No.:** **US D653,253 S**
(45) **Date of Patent:** **** Jan. 31, 2012**

(54) **DISPLAY**
(75) Inventor: **Yi-Chung Chiu**, Taoyuan County (TW)
(73) Assignee: **Hannspree, Inc.** (TW)
(**) Term: **14 Years**
(21) Appl. No.: **29/390,216**
(22) Filed: **Apr. 21, 2011**
(51) **LOC (9) Cl.** **14-02**
(52) **U.S. Cl.** **D14/371; D6/308**
(58) **Field of Classification Search** D14/371-375,
D14/125-129, 336, 337; 341/12; 345/104,
345/156, 168, 173; 348/180, 184, 325, 739;
349/1, 2, 11, 62; 361/679.06, 679.21; D6/300,
D6/308; D21/398
See application file for complete search history.

D515,567 S * 2/2006 Tsao D14/371
D602,935 S * 10/2009 Kettula et al. D14/371
D627,347 S * 11/2010 Chiu D14/371

* cited by examiner

Primary Examiner — Freda S Nunn
(74) *Attorney, Agent, or Firm* — Cantor Colburn LLP

(57) **CLAIM**
The ornamental design for display, as shown and described.

DESCRIPTION

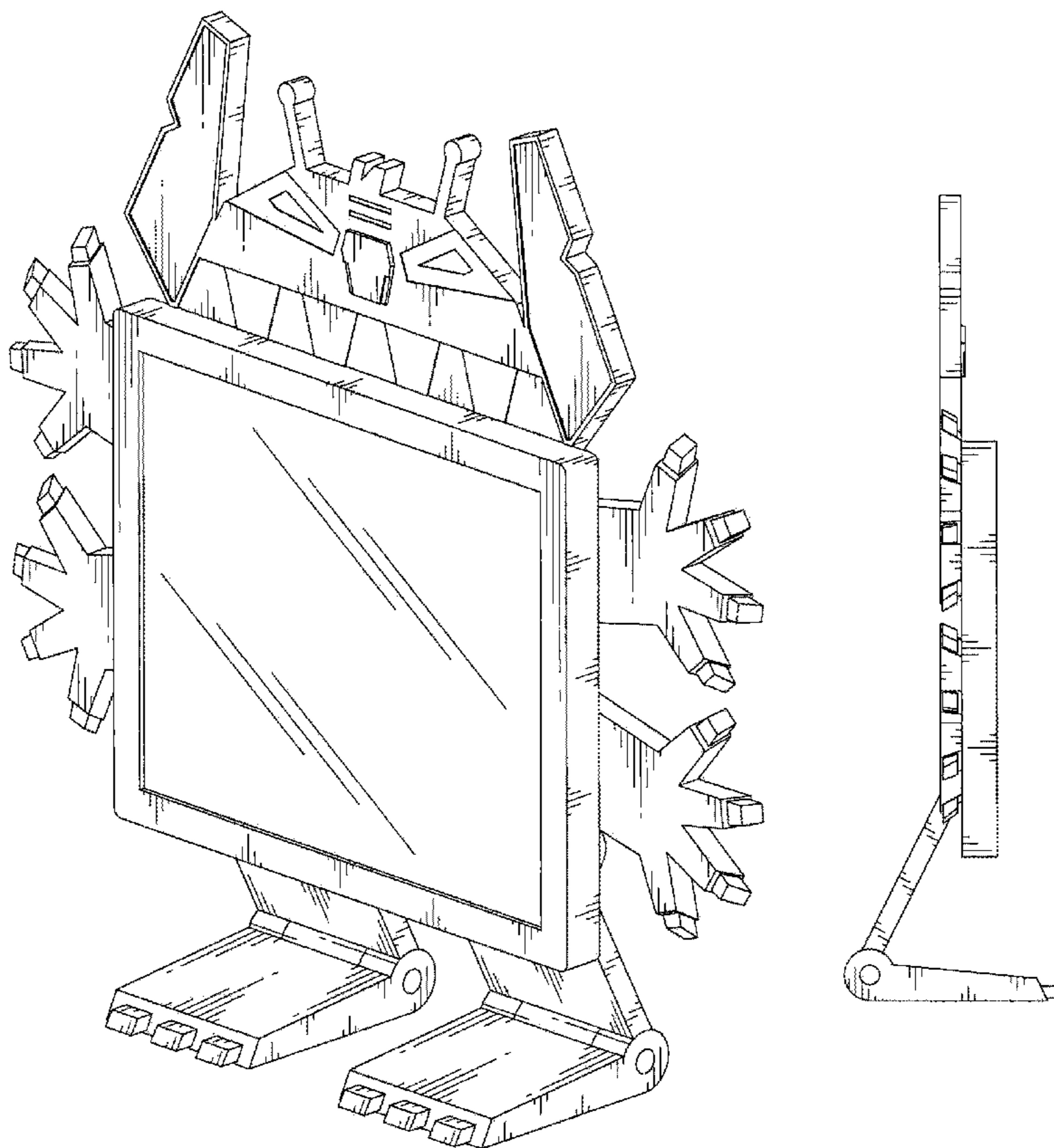
FIG. 1 is a perspective view of a “display” showing my new design;
FIG. 2 is a front view thereof;
FIG. 3 is a rear view thereof;
FIG. 4 is a left side view thereof;
FIG. 5 is a right side view thereof;
FIG. 6 is a top view thereof; and,
FIG. 7 is a bottom view thereof.

(56) **References Cited**

U.S. PATENT DOCUMENTS

5,564,209 A * 10/1996 Zagnoli 40/594
D496,360 S * 9/2004 Borsboom D14/371

1 Claim, 5 Drawing Sheets



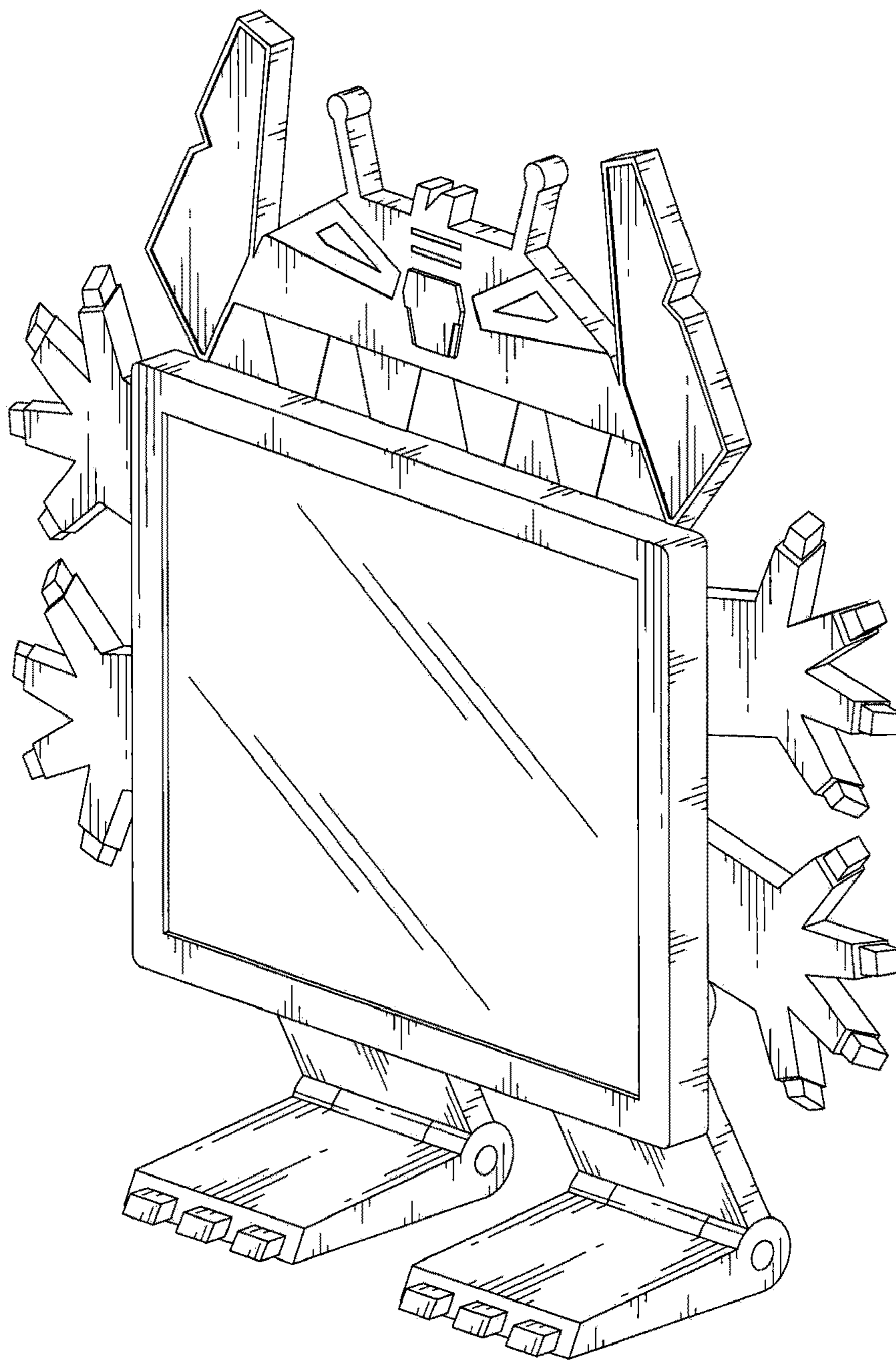


FIG. 1

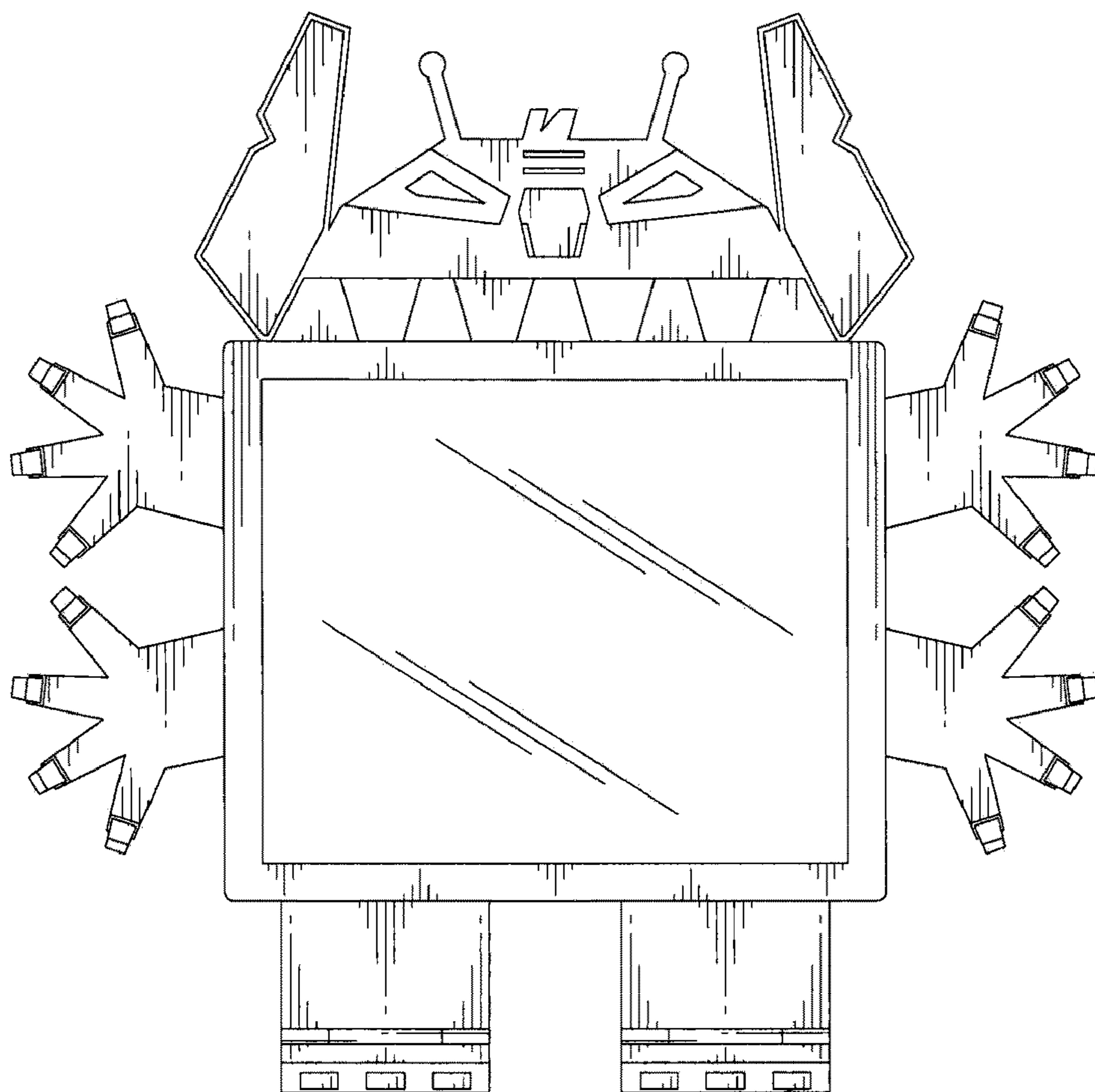


FIG. 2

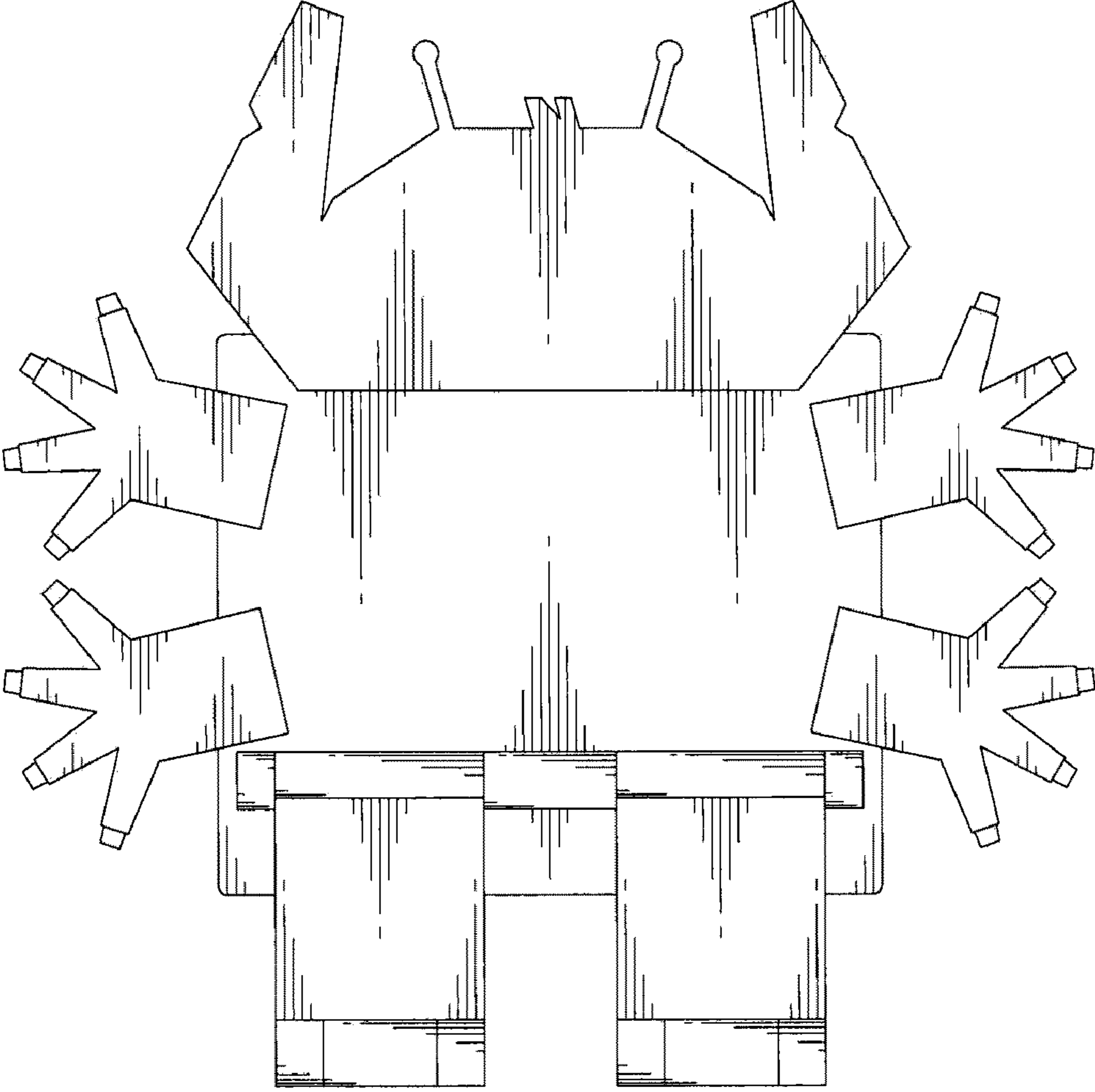


FIG. 3

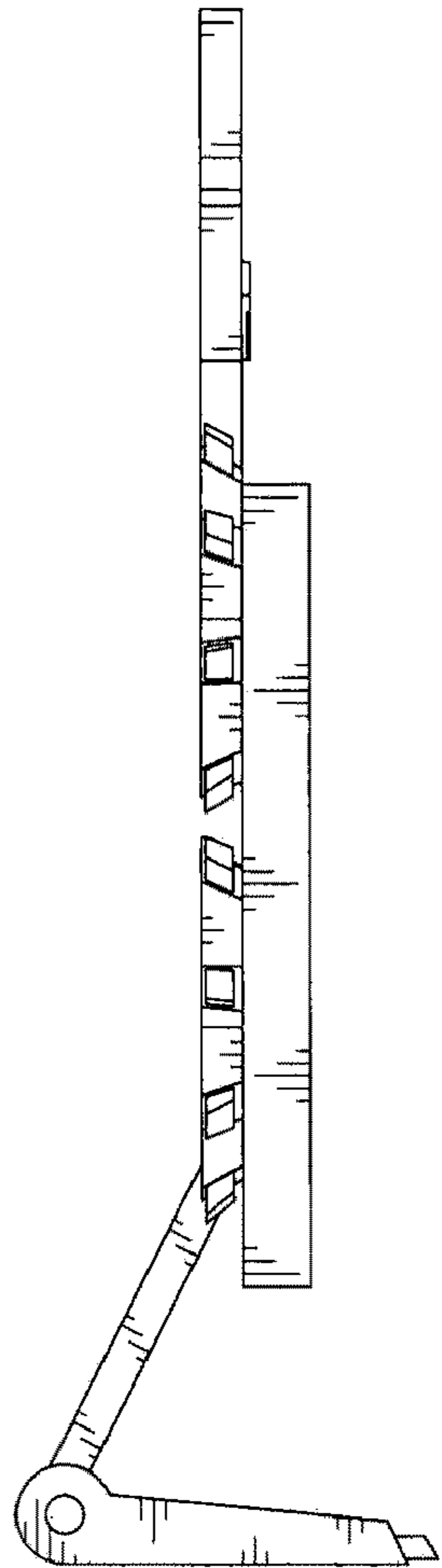


FIG. 4

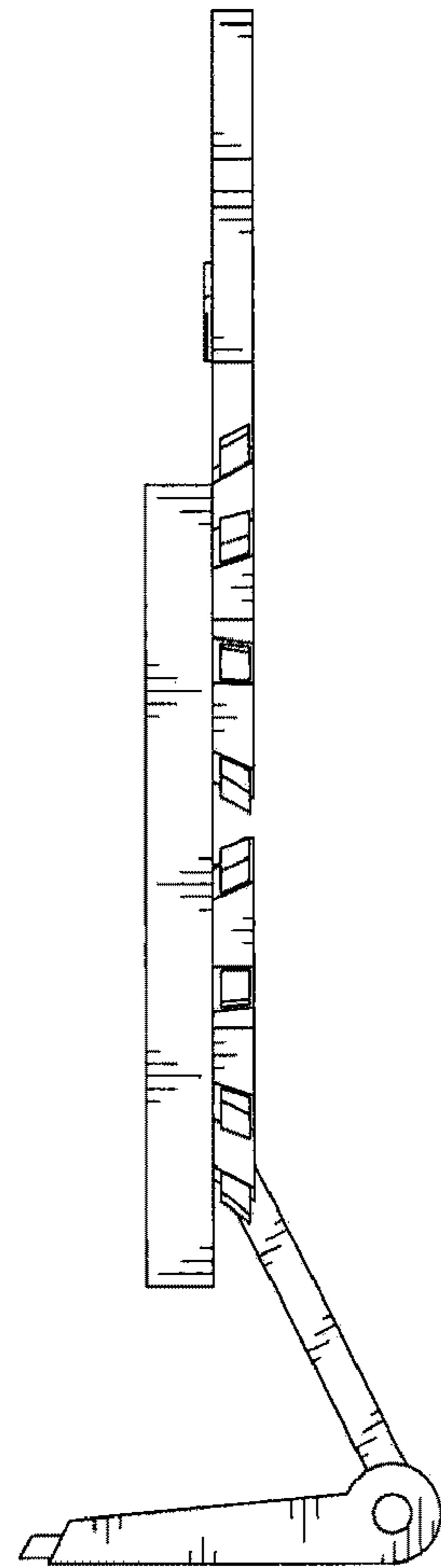


FIG. 5

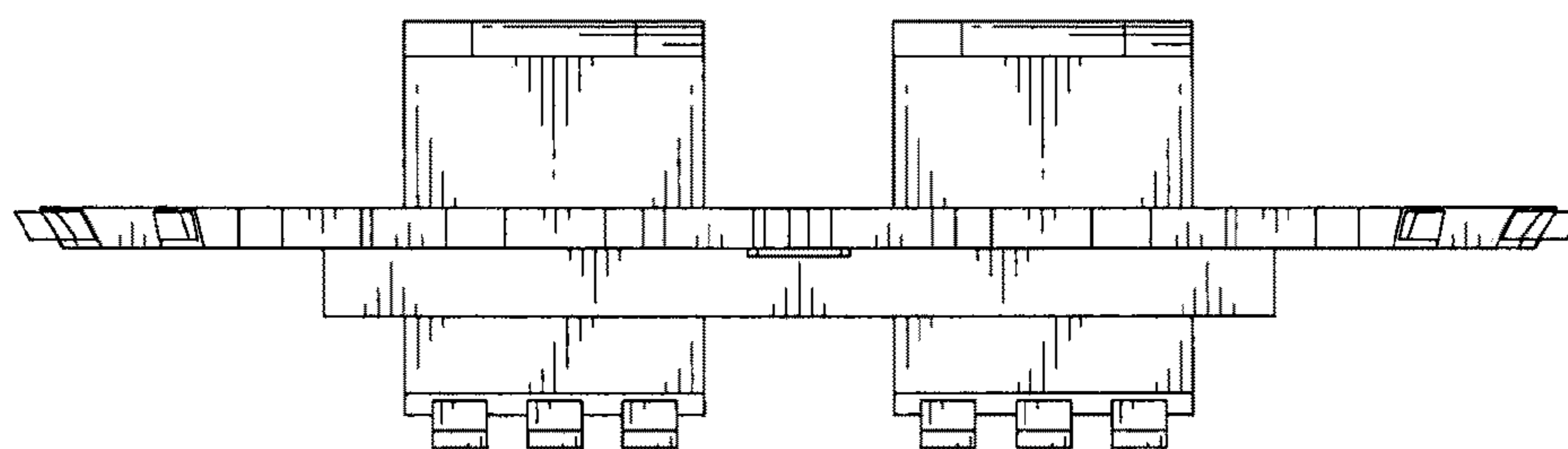


FIG. 6

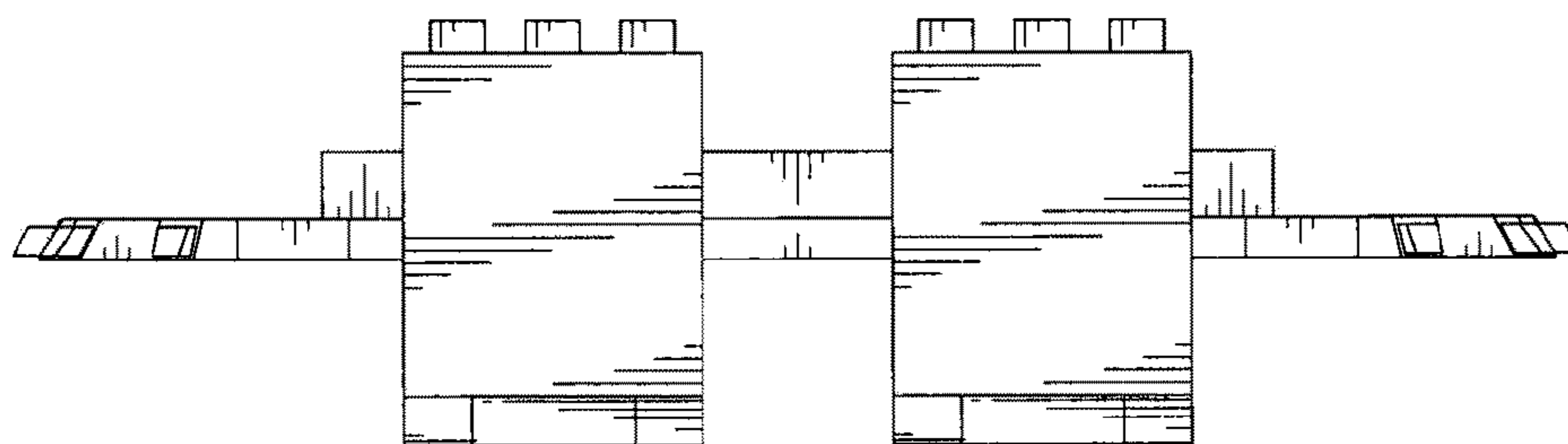


FIG. 7